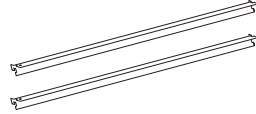


Includes:

1 - Monitor Mount Channel Bar:

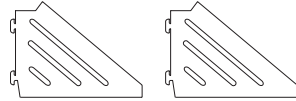


1 - Laptop Shelf* w/ [2] Shelf Brackets and [2] Channel Bars:



*Laptop Shelf not shown.

1 - Flat/Slant Keyboard Shelf* w/ Brackets and [2] Slotted Channel Bars:

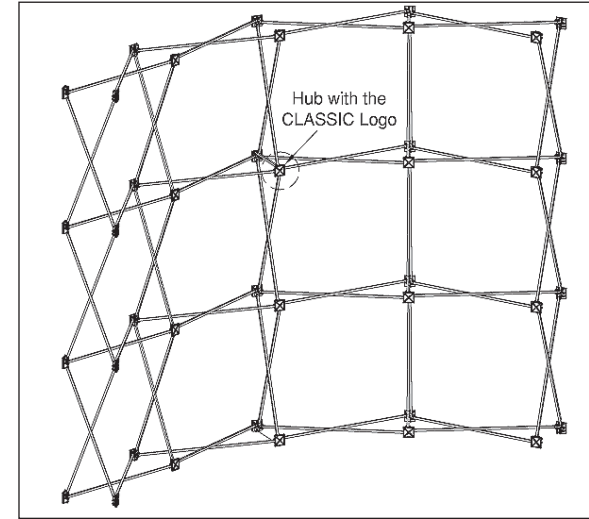


*Flat/Slant Keyboard Shelf not shown.

1 - Monitor Mount:



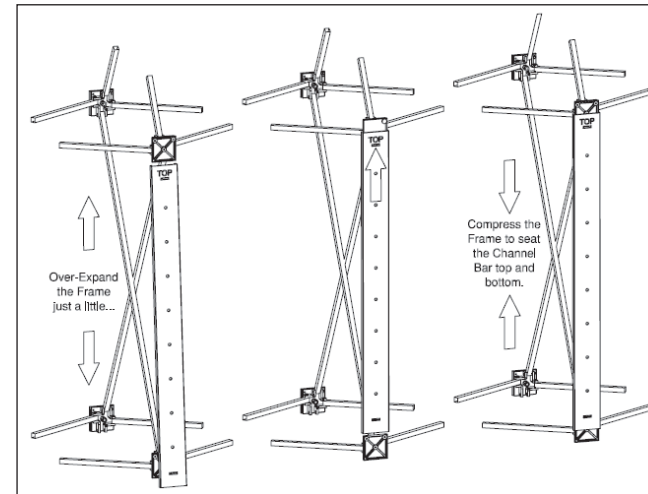
Step 1: Expand and Set up Frame



Step 2: Secure Purple Locking Bar



Step 3: Attach Channel Bars in the Front and Back



Including Monitor Channel Bar and Slotted Channel Bars.

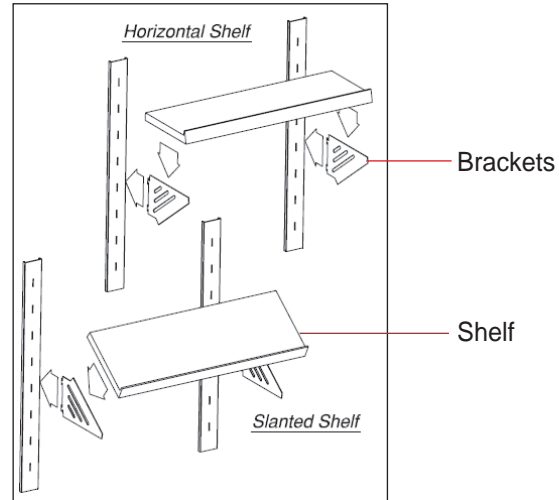
Step 4: Release Purple Bar and Relax the Frame



Step 5: Attach Rear Laptop Shelf w/ [2] Brackets into Rear Channel Bars

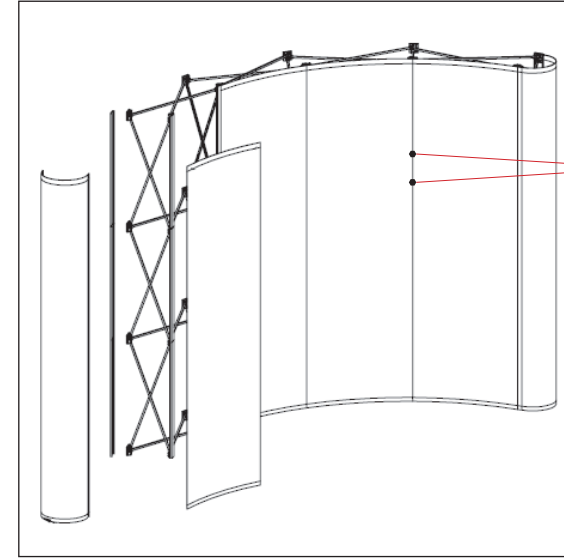


Step 6: Attach Front Keyboard Brackets



*Attach Shelf after Panels are attached

Step 7: Attach Fabric Panels



NOTE:
The Notched Fabric Panels need to go around the screws for Monitor Mounts.

Screws are located in the Monitor Channel Bar.

Step 8: Secure Monitor to Monitor Mount w/ Enclosed Hardware.

Hang Monitor on Monitor mount screws



Step 9: Attach Keyboard Shelf on Keyboard Brackets

