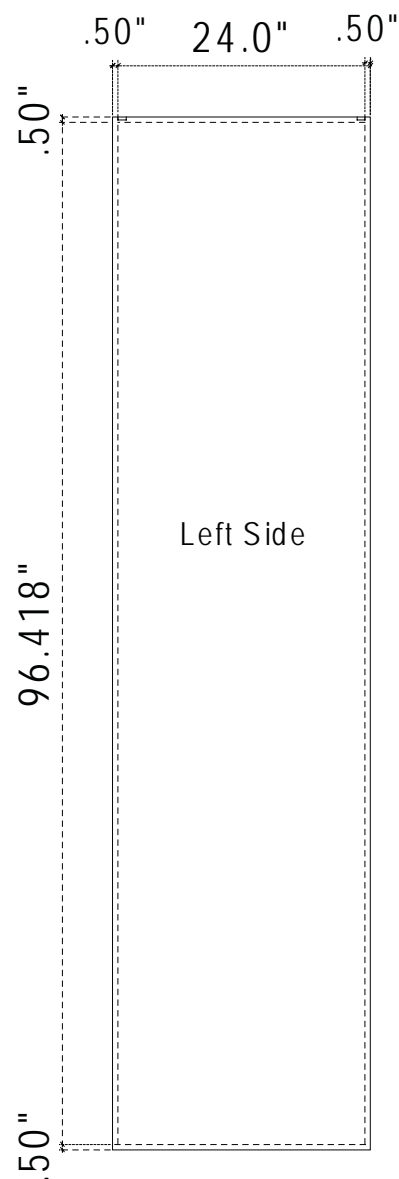


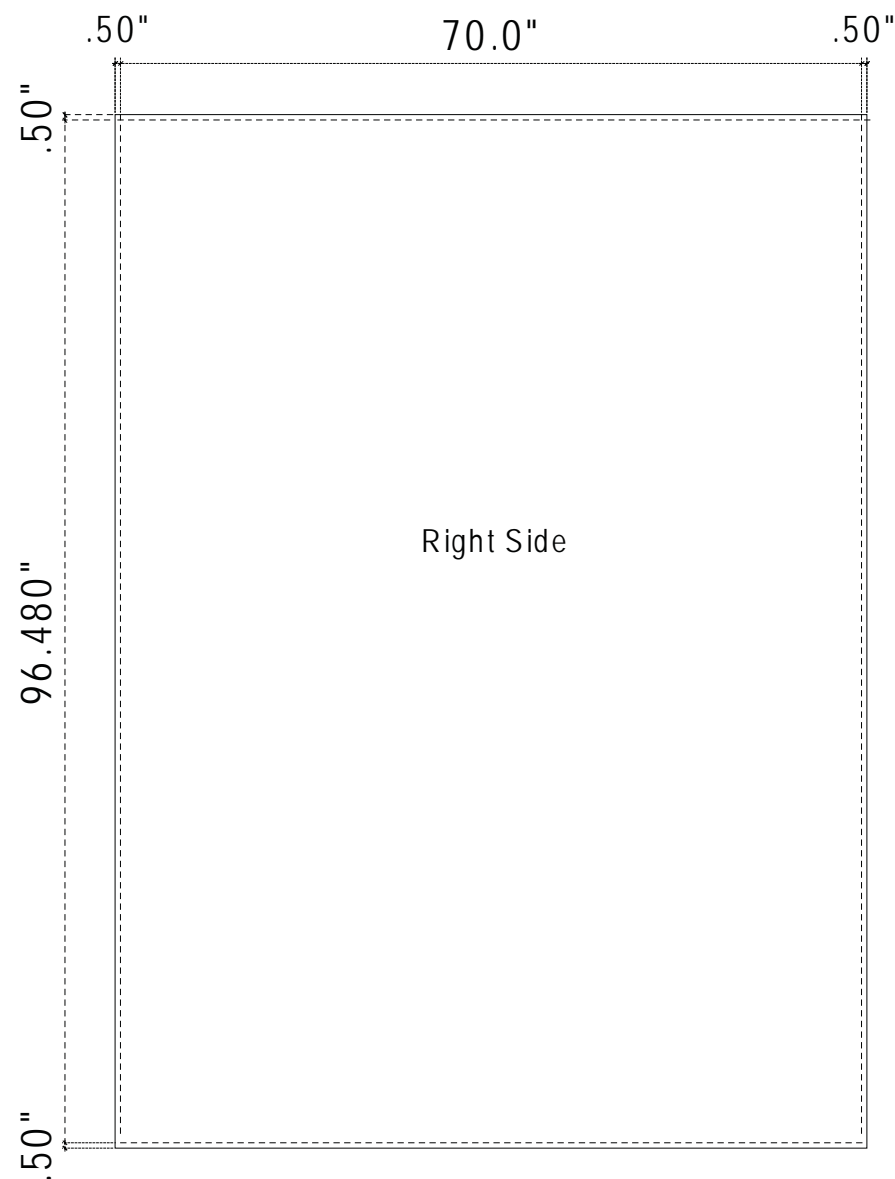
p10 Backwall Graphic Dims

*Note: Graphics need to be notched around legs and knobs.
Optima Graphics has Test Frames in Stock for graphic fitting and notching.*



Live Area = 23"w x 95.418"h
with .5" BLEED top, bottom,
left and right
Finished Size = 24"w x 96.418"h

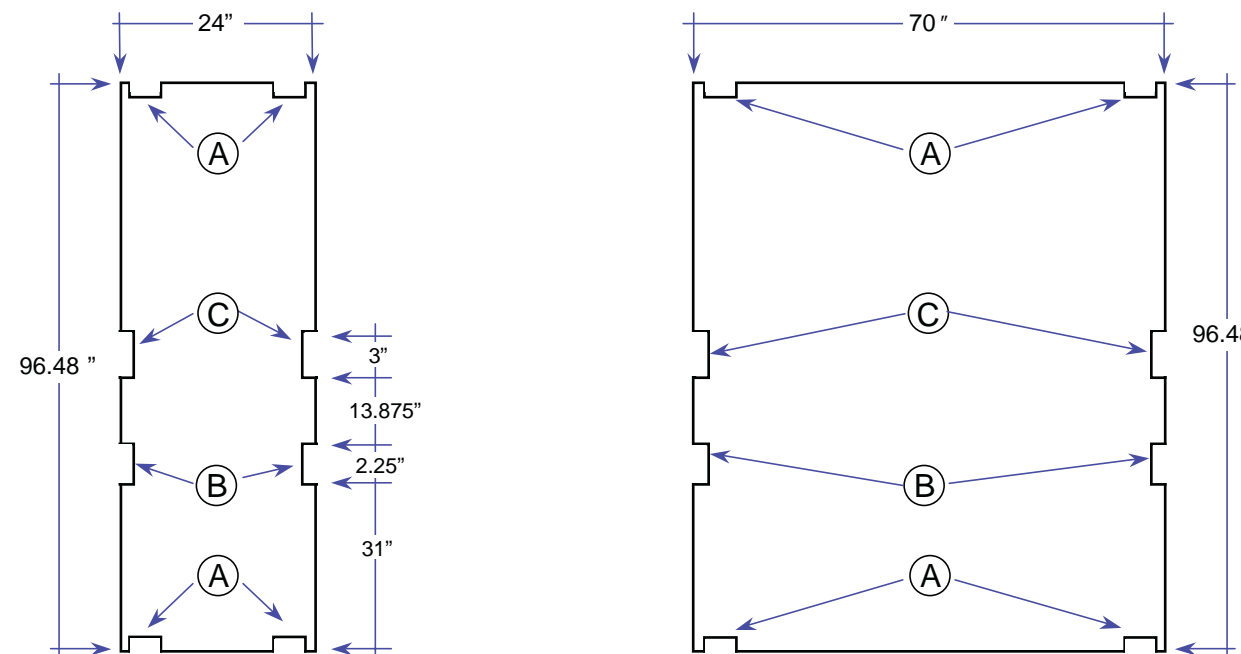
Sew Hook Velcro into all 4 sides
of the Front Face



Live Area = 69"w x 95.418"h
with .5" BLEED top, bottom, left and right
Finished Size = 70"w x 96.418"h

Sew Hook Velcro into all 4 sides
of the Front Face

Example of PRINT/CUT SIZES:



FINISHING

- Sew 1/2" black Velcro to the front perimeter of the graphic.
- Ⓐ The 4 corner notches are cut 1/2" in from the edge and 1/4" h x 3/4" w.
- Ⓑ For the side notches – measure 31" up from the bottom of the graphic. Notch is 2 1/4" h x 1/4" w.
- Ⓒ Measure up an additional 13.875" from the top edge of the first notch. Notch is 3" h x 1/4" w.