

euro lt | HYBRIDS

Euro LT Hybrids General Setup Instructions

Using Your Setup Instructions

The Euro LT Hybrids Setup Instructions are created specifically for your configuration. They are laid out sequentially in levels, including exploded views, and a logical series of detailed steps to assemble the main structure and components. We encourage you to study the instructions **before** attempting to assemble your exhibit.

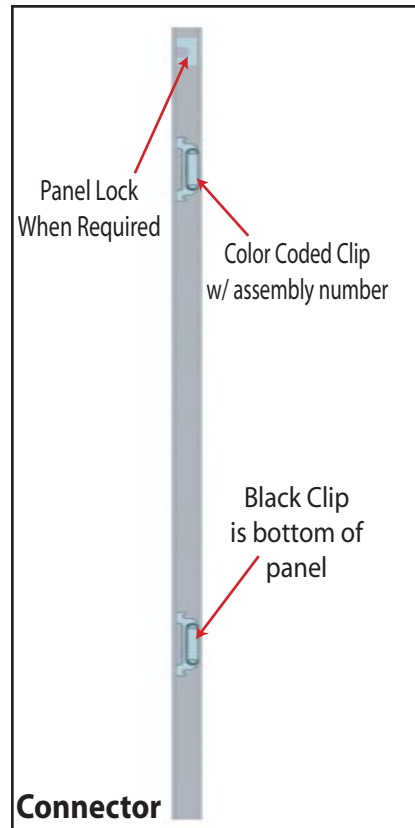
Cleaning and Packing Your Display

- 1) When cleaning laminate countertops or panels use mild cleansers and a soft material such as cotton.
- 2) Keep all display components away from extreme heat and long exposure to sunlight to avoid warping and fading.
- 3) Retain all packing material. It will make re-packing much easier and will reduce the likelihood of shipping damage.

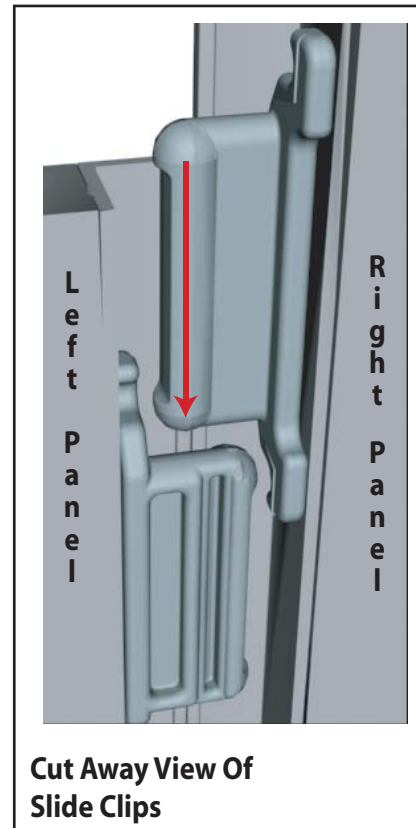
Level 1 = Blue
 Level 2 = Red
 Level 3 = Green
 Level 4 = Black

Color Code

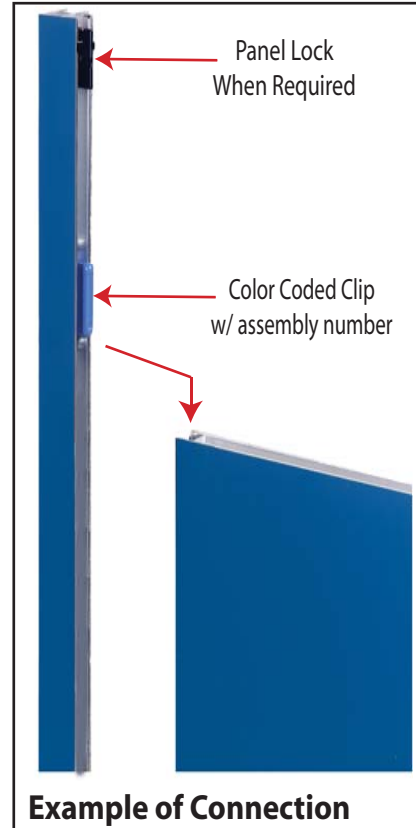
The top clip is color coded to distinguish the level. The color coded clip also contains the numbered label



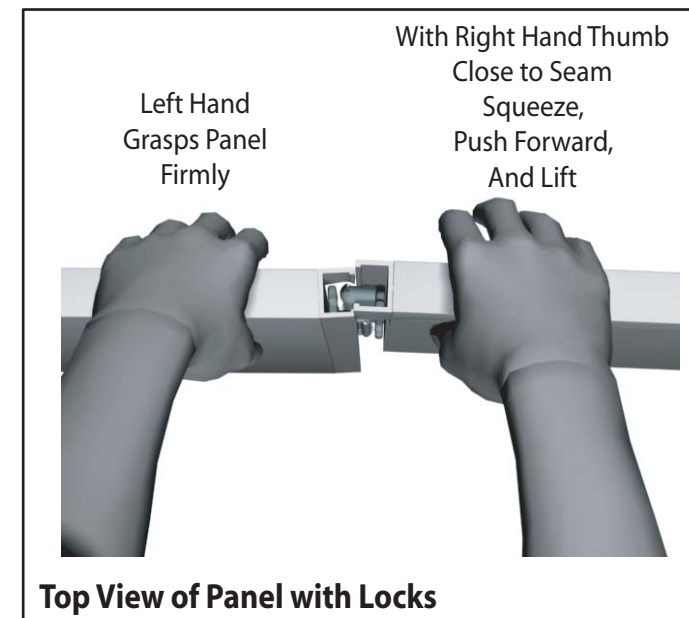
Each component has 2 clips, the lower clip is ALWAYS black..



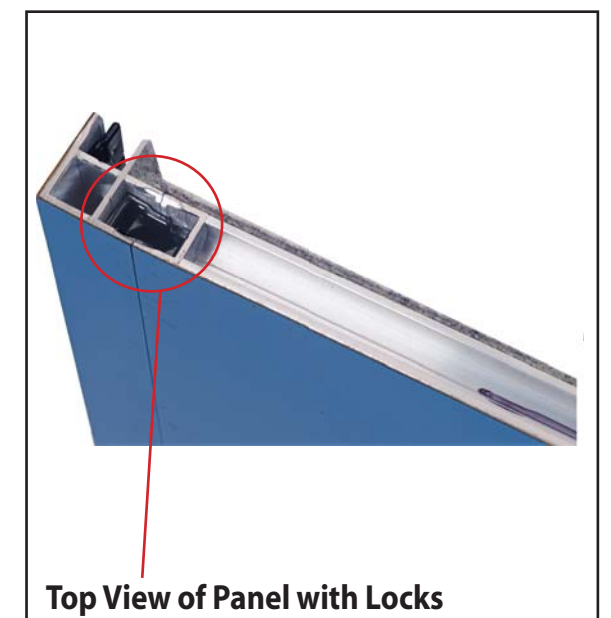
Components connect together by aligning them and sliding downward connecting clips together.



Configurations are assembled from left to right, usually starting with #1 and following the numbered sequence.



The first level of components contains panel locks that are located at the top of the panel for extra stability and a seamless connection. When disassembling panels, twist top connection slightly and lift right panel upward.

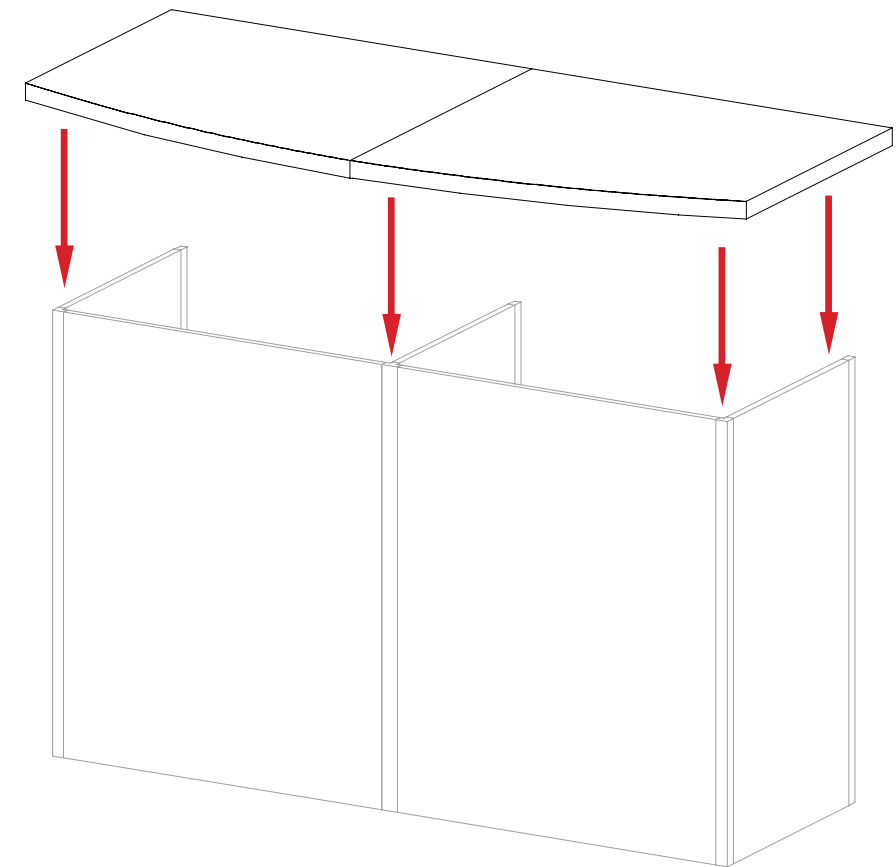
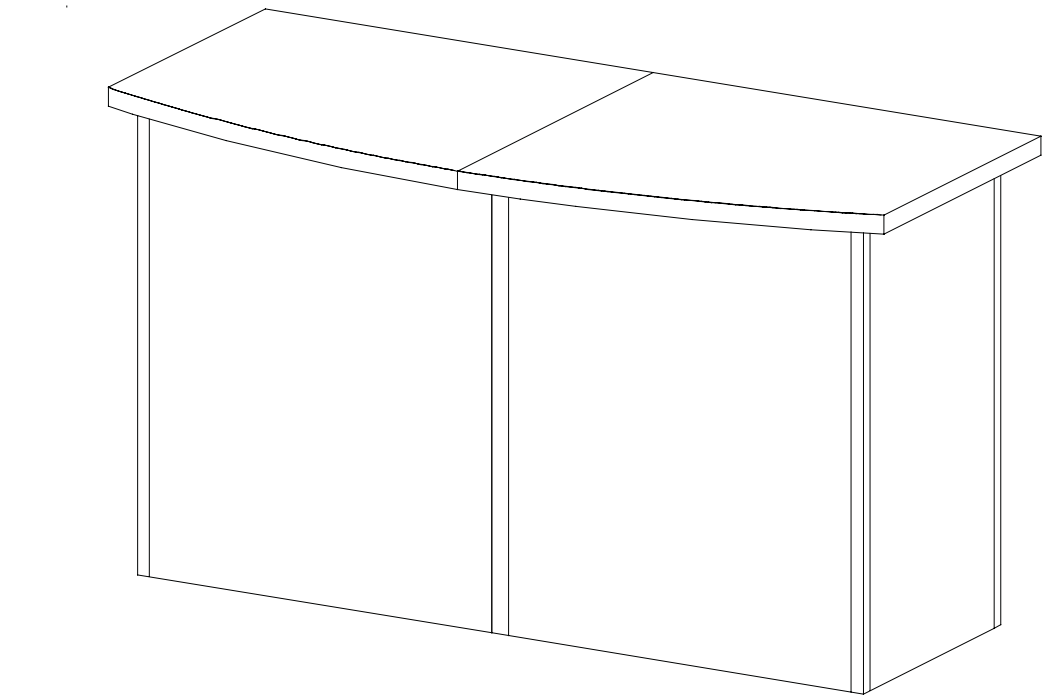
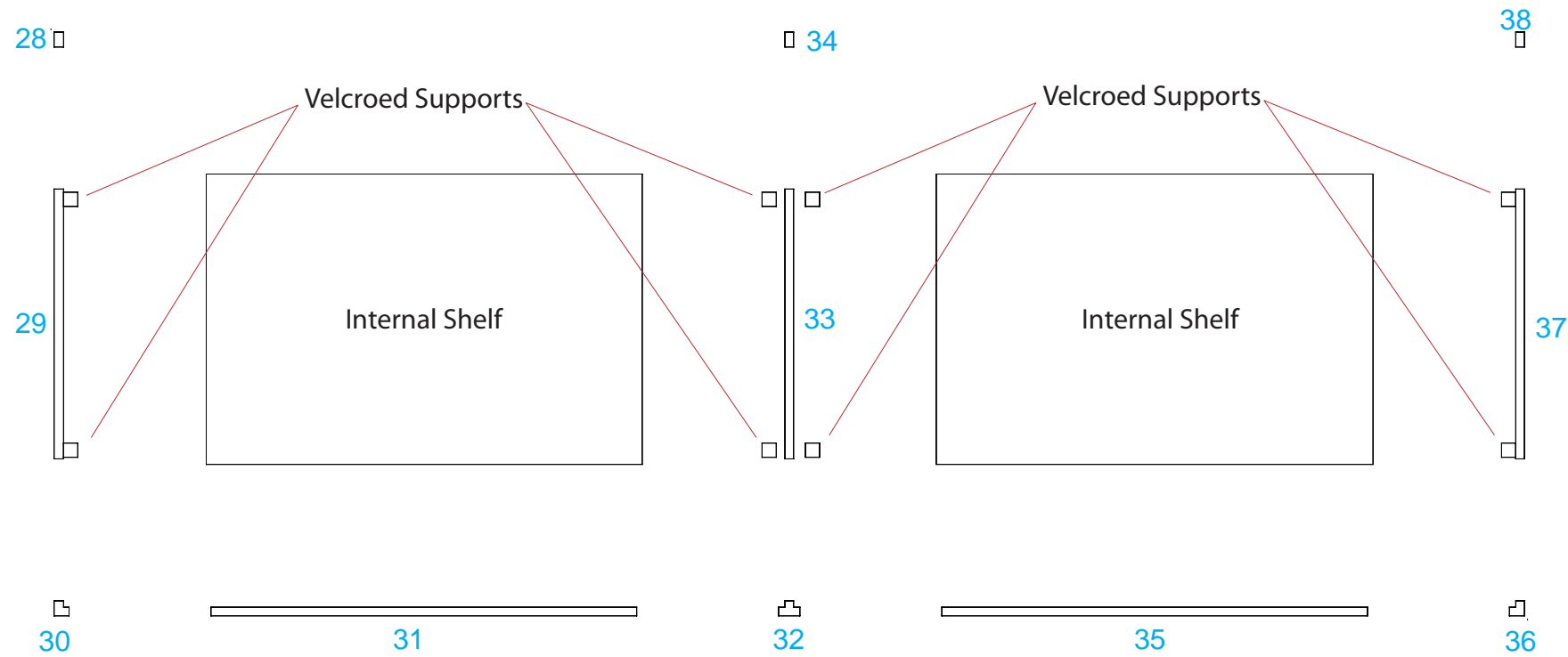


euro It

Item	Description
28	38" h End Cap
29	19" w x 38" h Flat Panel
30	38" h 90° Connector
31	30" w x 38" h Flat Panel
32	38" h T-Connector
33	19" w x 38" h Flat Panel
34	38" h End Cap
35	30" w x 38" h Flat Panel
36	38" h 90° Connector
37	19" w x 38" h Flat Panel
38	38" h End Cap

Steps:

- 1) Assemble panels in numerical order.
- 2) Attach Velcroed shelf supports to panels.
- 3) Set internal shelves atop Velcroed supports.
- 4) Place Counter atop assembled Pedestal.

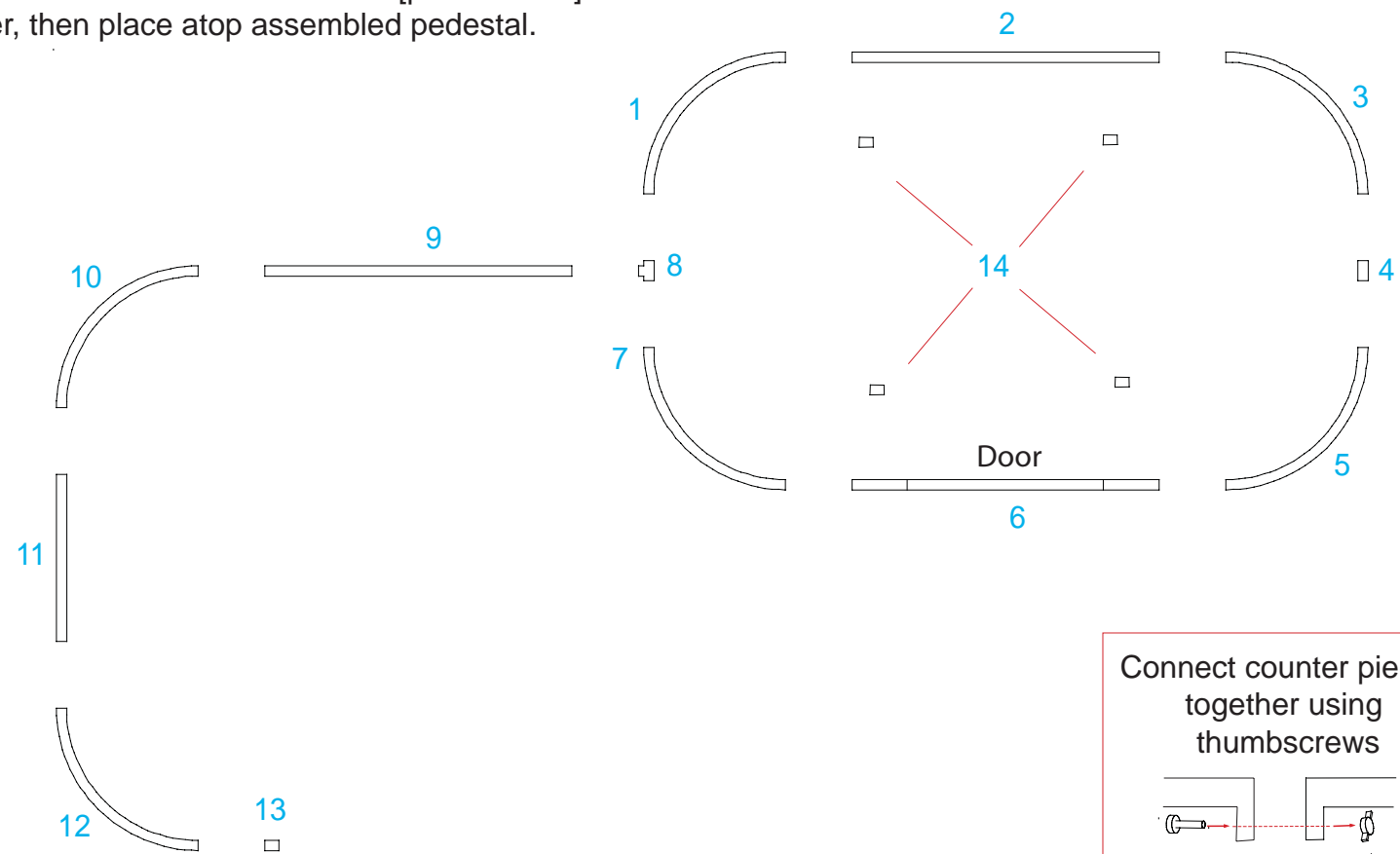


euro It

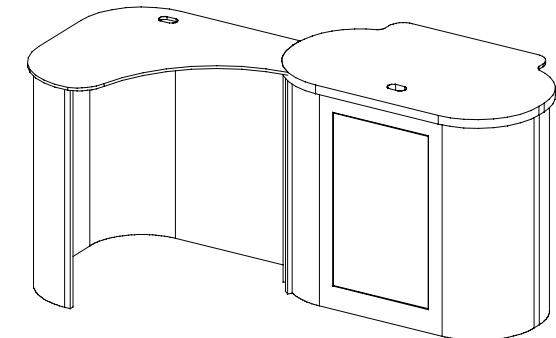
Item Number	Description
1	9.5"r x 38"h Quarter Curve Panel
2	23"w x 38"h Flat Panel
3	9.5"r x 38"h Quarter Curve Panel
4	38"h 180° Connector
5	9.5"r x 38"h Quarter Curve Panel
6	23"w x 38"h Flat Panel w/ Door
7	9.5"r x 38"h Quarter Curve Panel
8	38"h 3-way T Connector
9	23"w x 38"h Flat Panel
10	9.5"r x 38"h Curve Panel
11	12.499"w x 38"h Curve Panel
12	9.5"r x 38"h Curve Panel
13	38"h Square End Cap
14	Vertical Shelf Supports w/ Velcro

Steps

- 1) Connect panel 1 to panel 2, and continue in numerical order [parts: 1 - 14].
- 2) Connect counter pieces together, then place atop assembled pedestal.

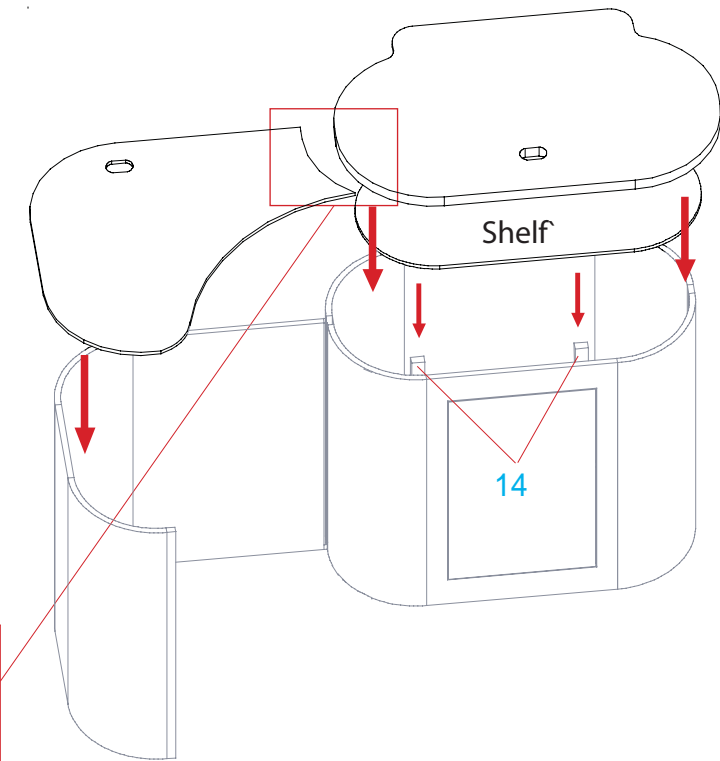


QTY: 2



Kiosk # 1

Place shelf on vertical supports 14, then set assembled counter atop assembled pedestal.



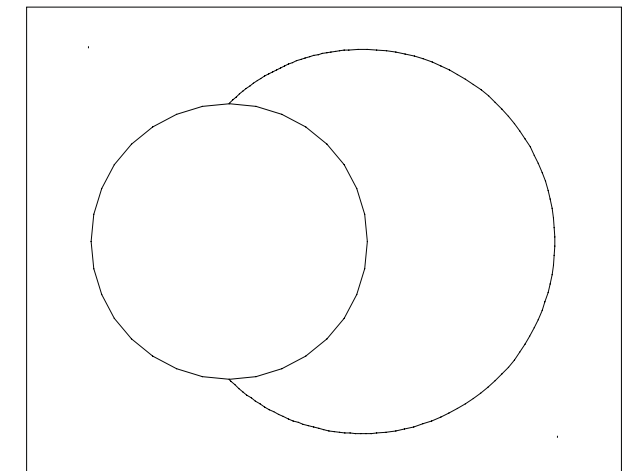
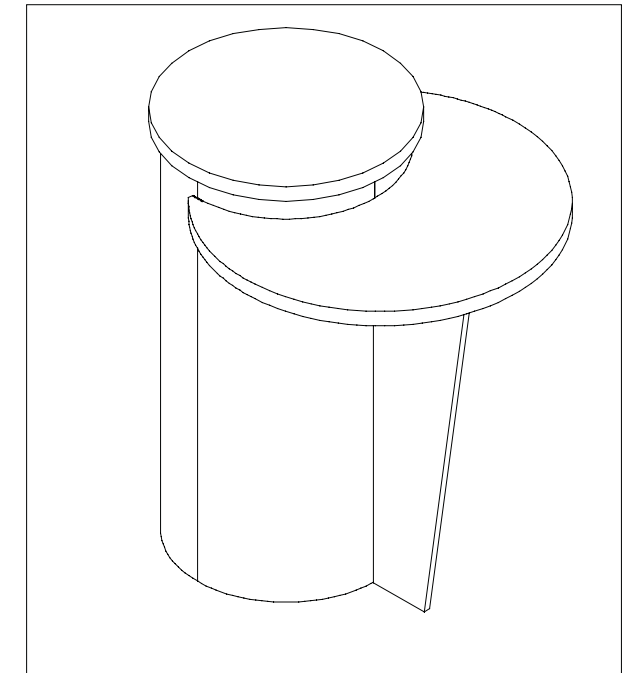
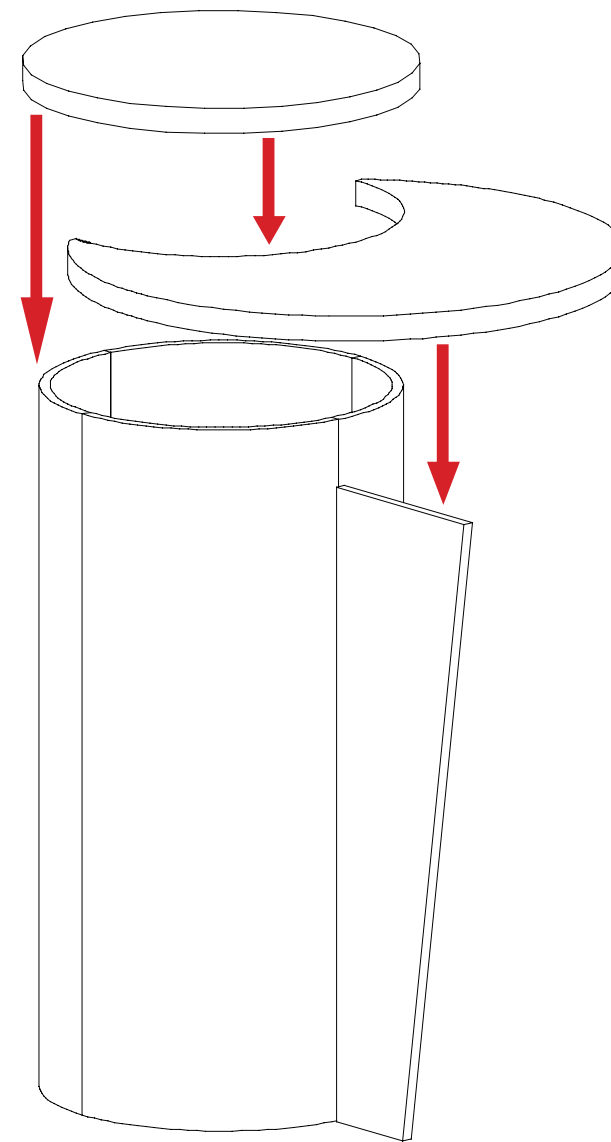
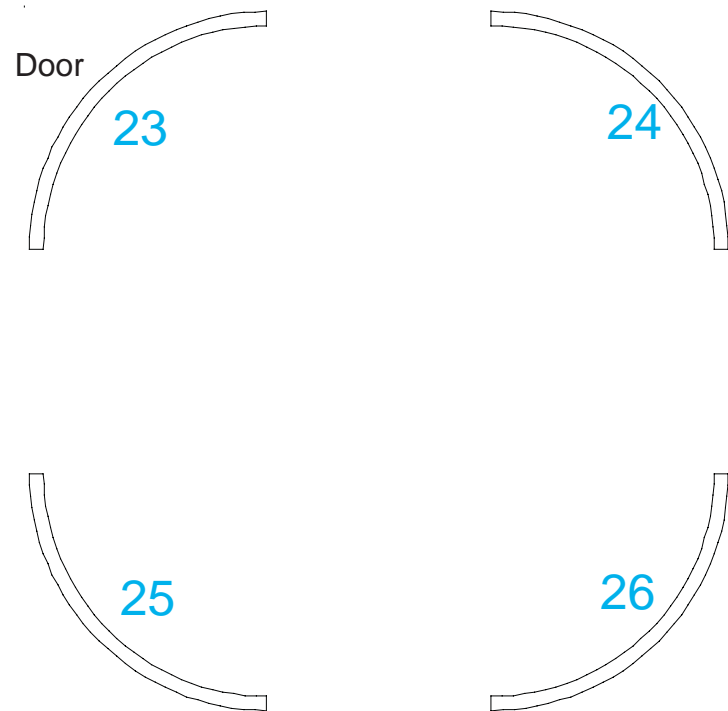
Connect counter pieces together using thumbscrews

euro It

Item	Description
23	42" h Curved Panel w/Door
24	42" h Curved Panel
25	42" h Curved Panel
26	42" h Curved Panel w/Velcro
27	38" h Counter Support Panel w/Buttons

Steps:

- 1) Assemble panels in numerical order.
- 2) Attach counter support panel #5 to panel #4 w/velcro.
- 3) Set front counter atop support #5 and thumbscrew sides into panels.
- 4) Set circular counter atop assembled pedestal as shown in illustration.



euro It

Item Number	Description
15	23" w x 19" h Flat Panel
16	19" h 90° Connector
17	23" w x 19" h Flat Panel w/ Door
18	19" h 90° Connector
19	23" w x 19" h Flat Panel
20	19" h 90° Connector
21	23" w x 19" h Flat Panel w/ Door
22	19" h 90° Connector

Steps

1) Connect panel 15 to connector 16, and continue in numerical order [parts: 15-22].

