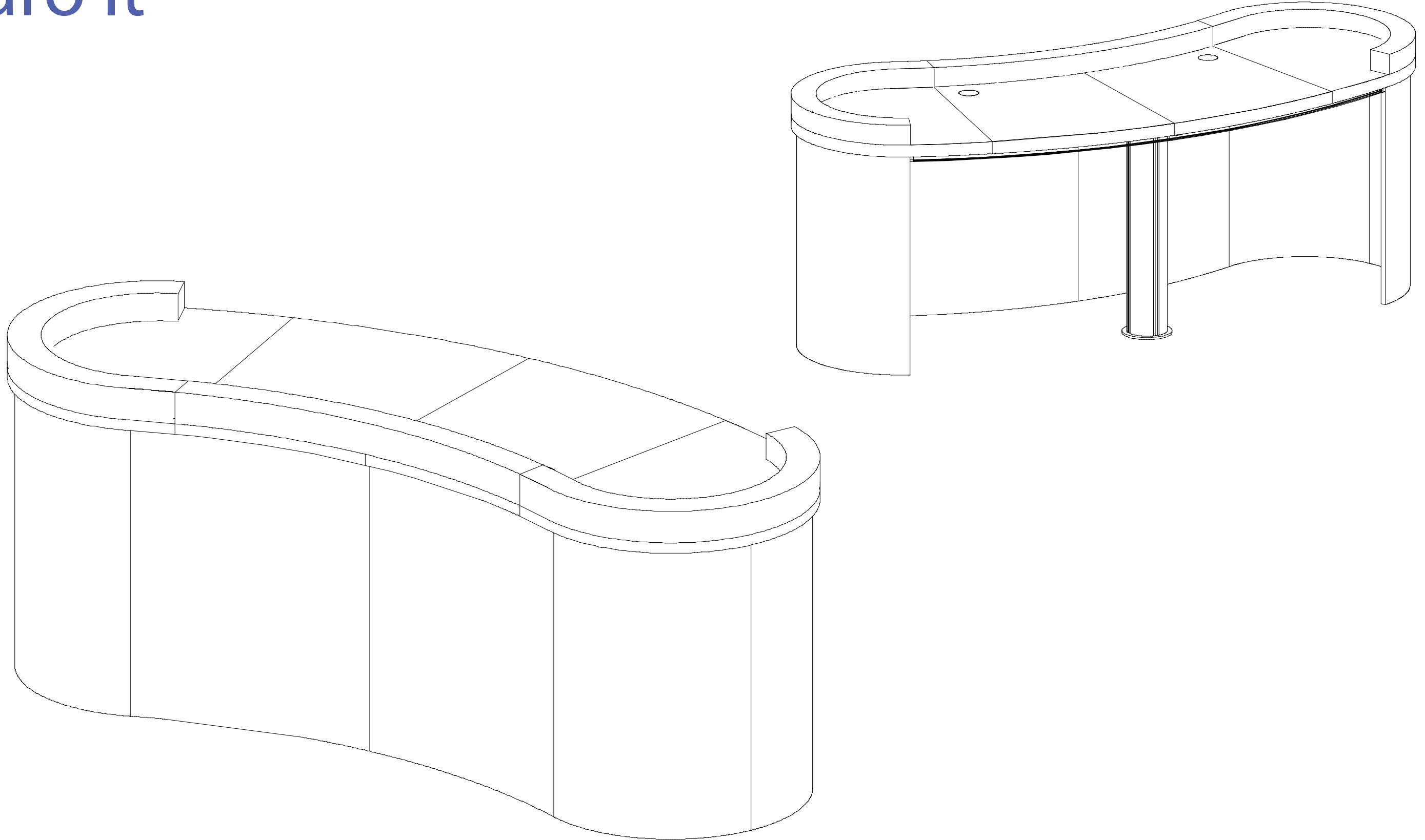


# euro It



# euro It | HYBRIDS

## Euro LT Hybrids General Setup Instructions

### Using Your Setup Instructions

The Euro LT Hybrids Setup Instructions are created specifically for your configuration. They are laid out sequentially in levels, including exploded views, and a logical series of detailed steps to assemble the main structure and components. We encourage you to study the instructions **before** attempting to assemble your exhibit.

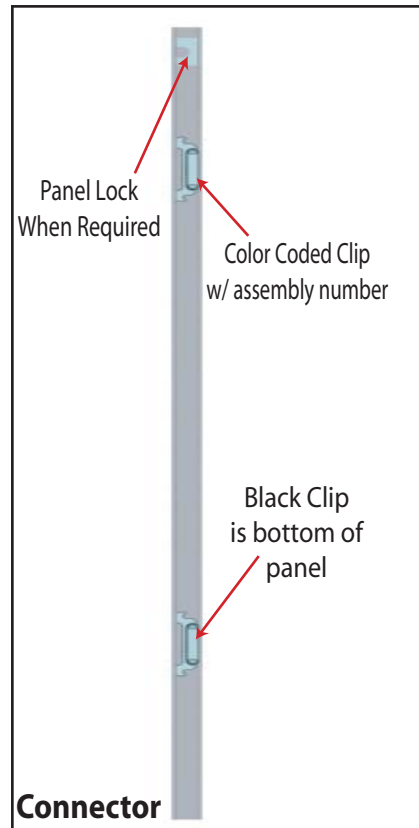
### Cleaning and Packing Your Display

- 1) When cleaning laminate countertops or panels use mild cleansers and a soft material such as cotton.
- 2) Keep all display components away from extreme heat and long exposure to sunlight to avoid warping and fading.
- 3) Retain all packing material. It will make re-packing much easier and will reduce the likelihood of shipping damage.

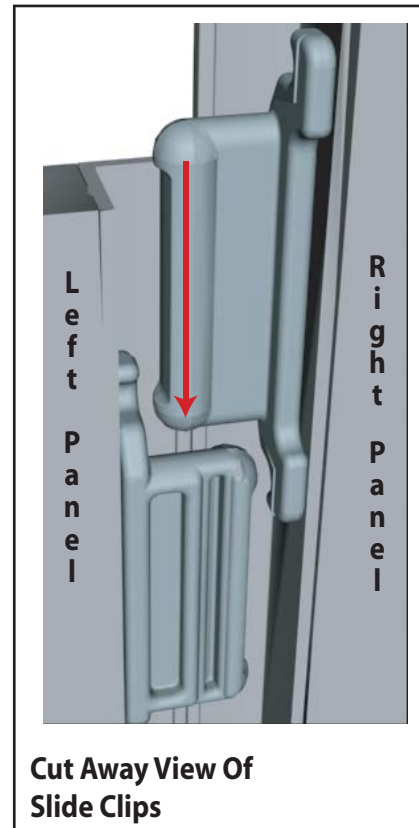
Level 1 = Blue  
 Level 2 = Red  
 Level 3 = Green  
 Level 4 = Black

#### Color Code

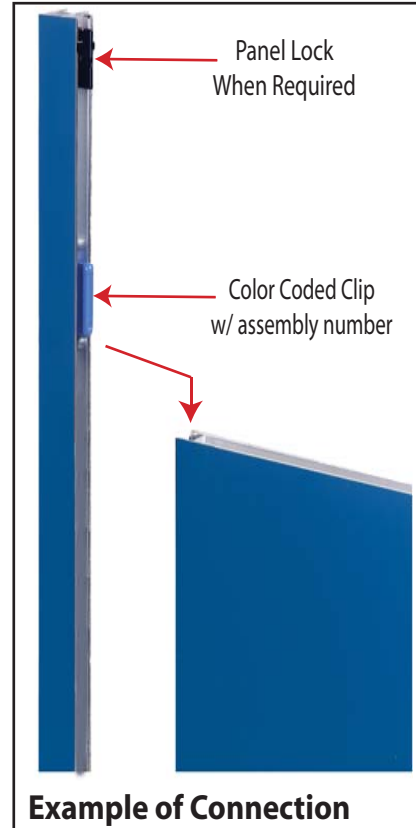
The top clip is color coded to distinguish the level. The color coded clip also contains the numbered label



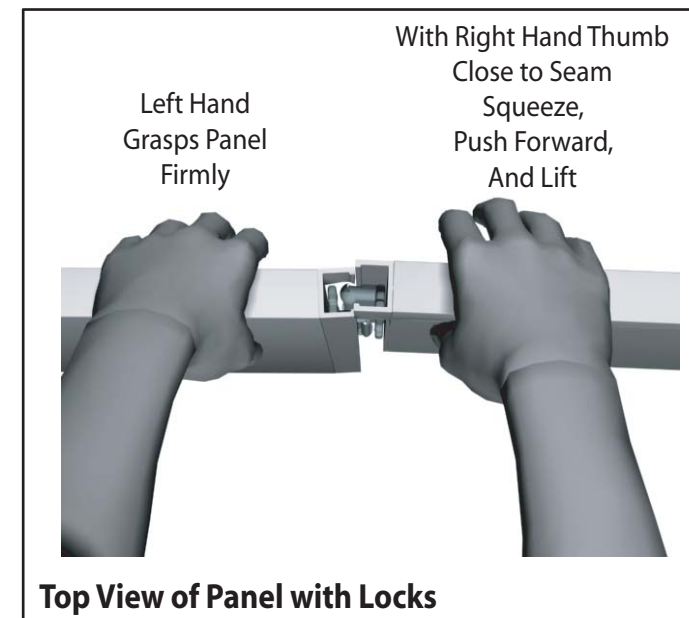
Each component has 2 clips, the lower clip is ALWAYS black..



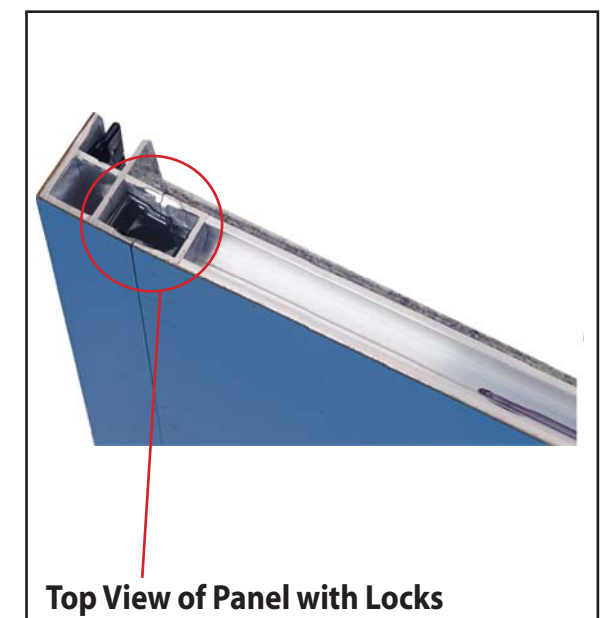
Components connect together by aligning them and sliding downward connecting clips together.



Configurations are assembled from left to right, usually starting with #1 and following the numbered sequence.



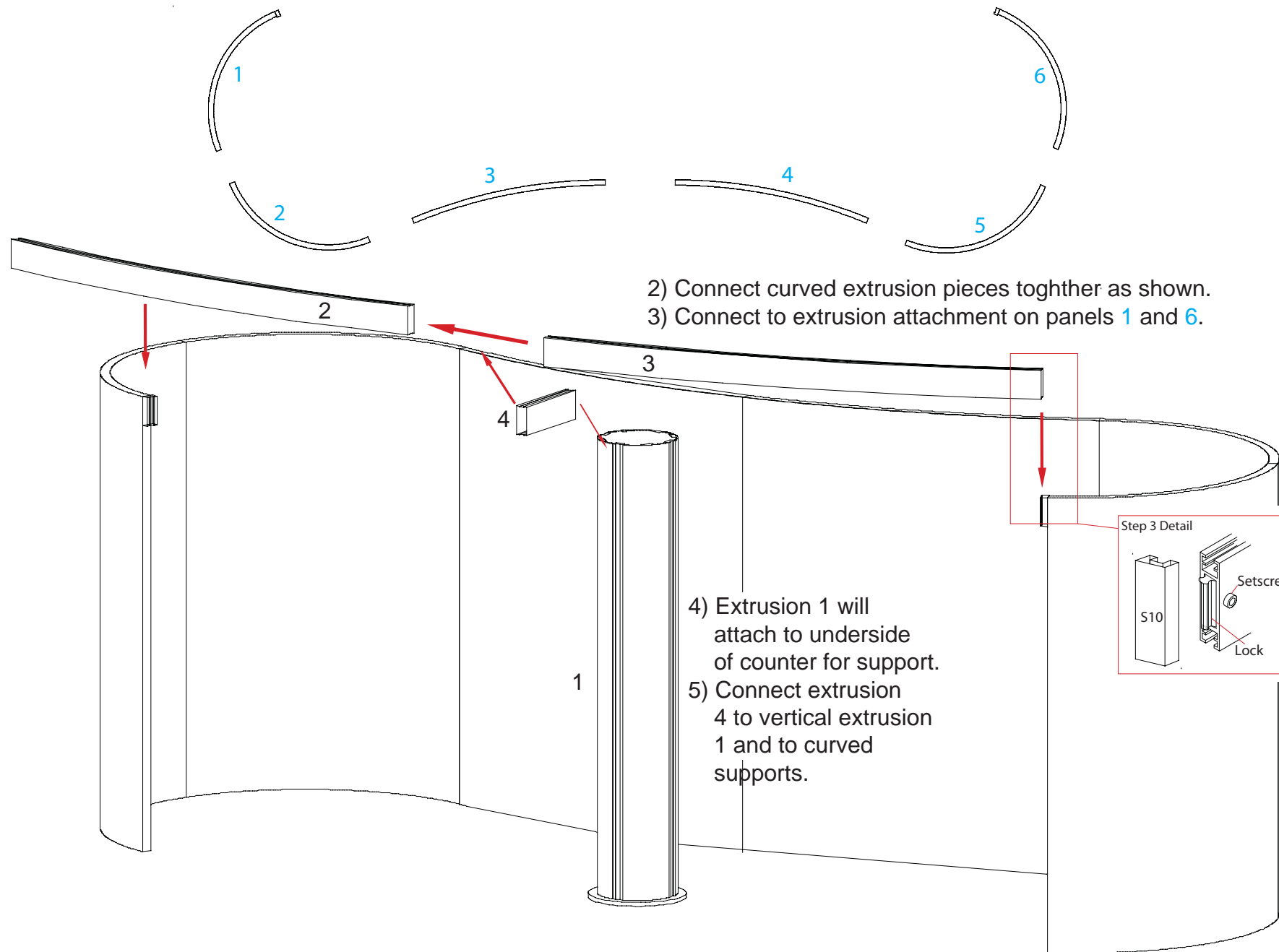
The first level of components contains panel locks that are located at the top of the panel for extra stability and a seamless connection. When disassembling panels, twist top connection slightly and lift right panel upward.



866.652.2100

Item Number	Description
1	11.5"r x 28.5"h Custom Curve Panel w/ Extrusion Attachment
2	11.5"r x 28.5"h Custom Curve Panel
3	57.5"r x 28.5"h Custom Curve Panel
4	57.5"r x 28.5"h Custom Curve Panel
5	11.5"r x 28.5"h Custom Curve Panel
6	11.5"r x 28.5"h Custom Curve Panel w/ Extrusion Attachment

1) Connect Panels together in numerical order.



4 Piece Counter Top, attach together as shown.  
 Set and attach Bumper to Counter using thumbscrews provided.

