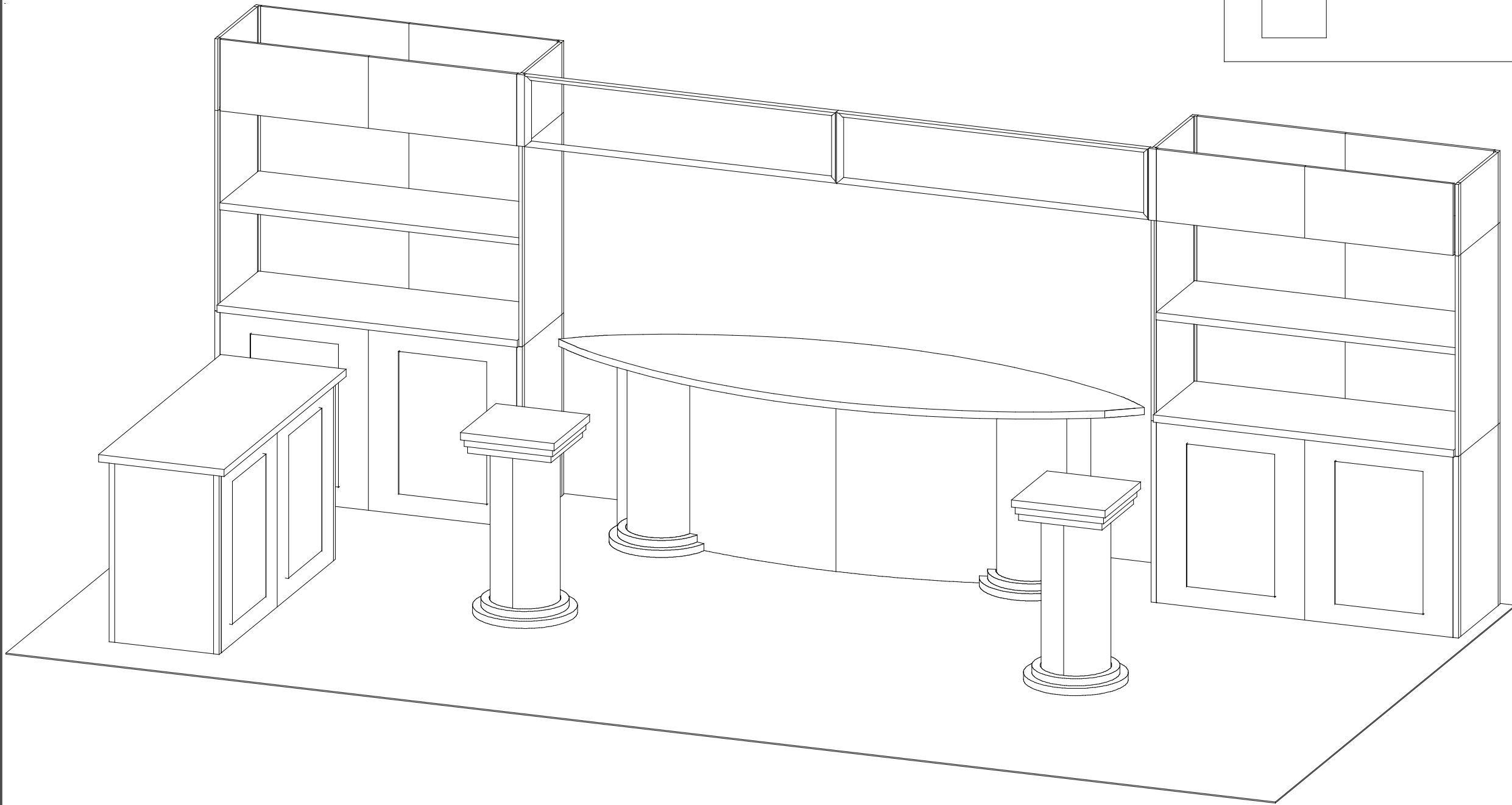
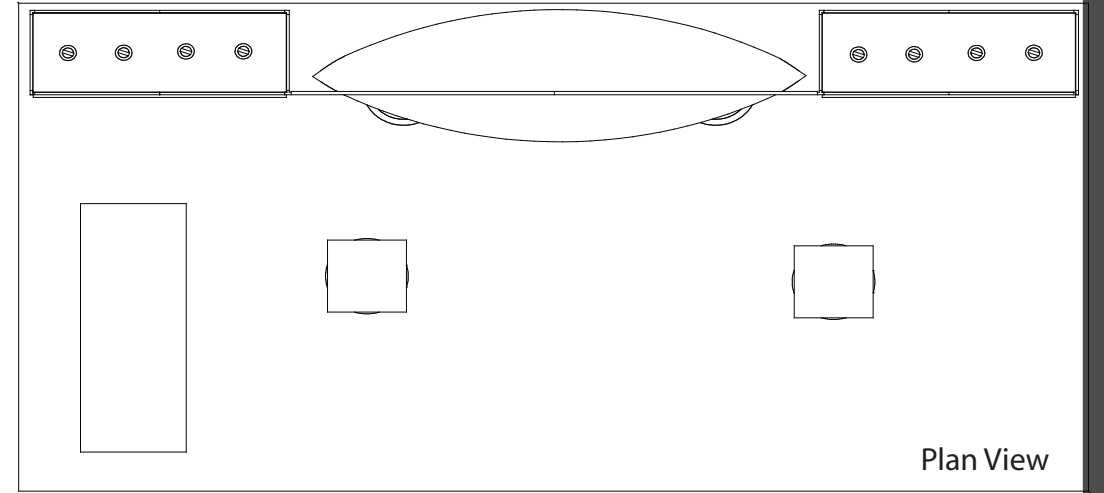


# euro It



# euro lt | HYBRIDS

## Euro LT Hybrids General Setup Instructions

### Using Your Setup Instructions

The Euro LT Hybrids Setup Instructions are created specifically for your configuration. They are laid out sequentially in levels, including exploded views, and a logical series of detailed steps to assemble the main structure and components. We encourage you to study the instructions **before** attempting to assemble your exhibit.

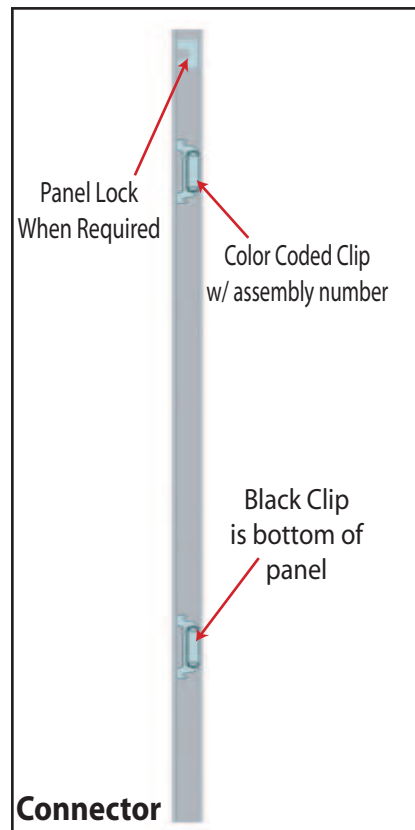
### Cleaning and Packing Your Display

- 1) When cleaning laminate countertops or panels use mild cleansers and a soft material such as cotton.
- 2) Keep all display components away from extreme heat and long exposure to sunlight to avoid warping and fading.
- 3) Retain all packing material. It will make re-packing much easier and will reduce the likelihood of shipping damage.

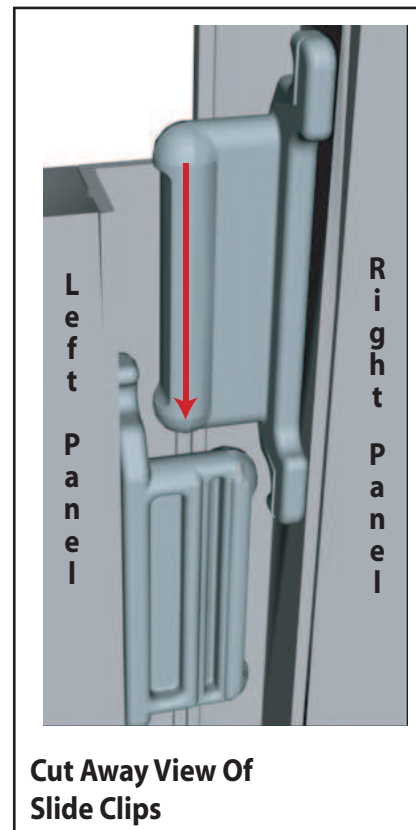
Level 1 = Blue  
 Level 2 = Red  
 Level 3 = Green  
 Level 4 = Black

#### Color Code

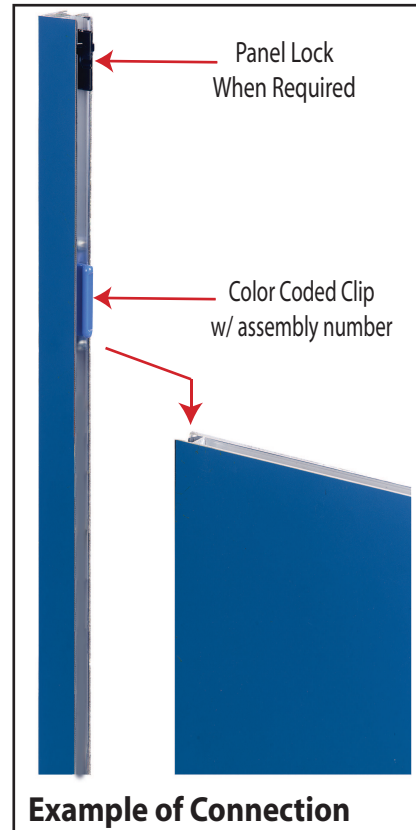
The top clip is color coded to distinguish the level. The color coded clip also contains the numbered label



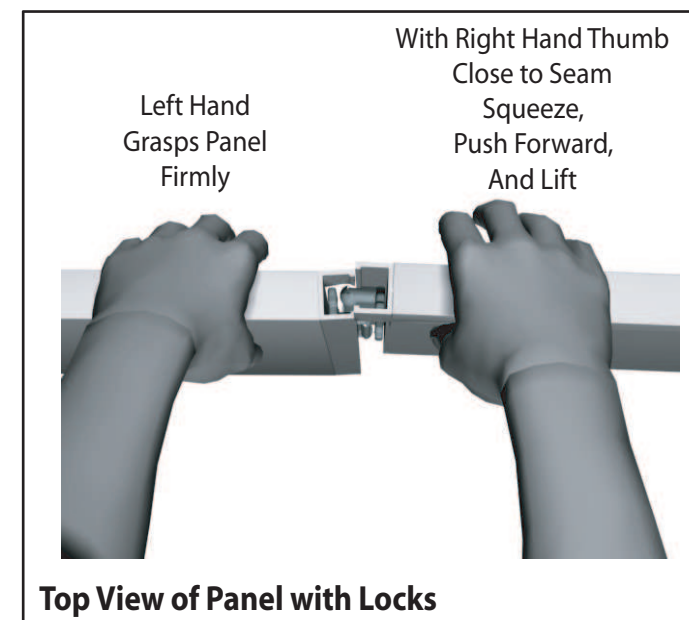
Each component has 2 clips, the lower clip is ALWAYS black..



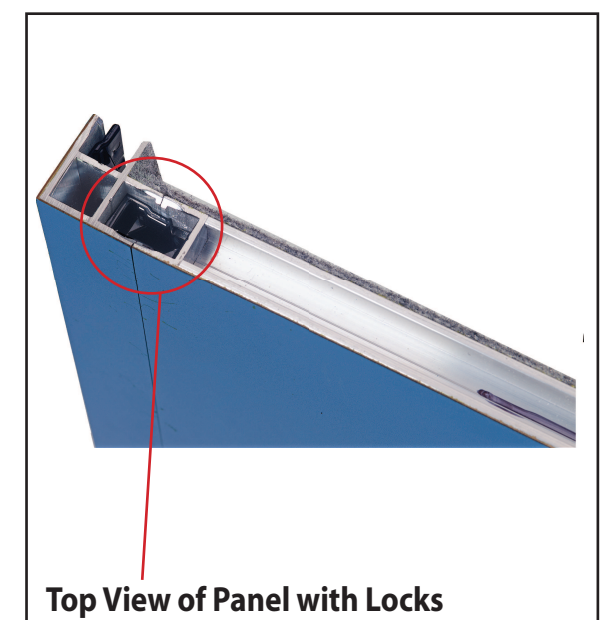
Components connect together by aligning them and sliding downward connecting clips together.



Configurations are assembled from left to right, usually starting with #1 and following the numbered sequence.

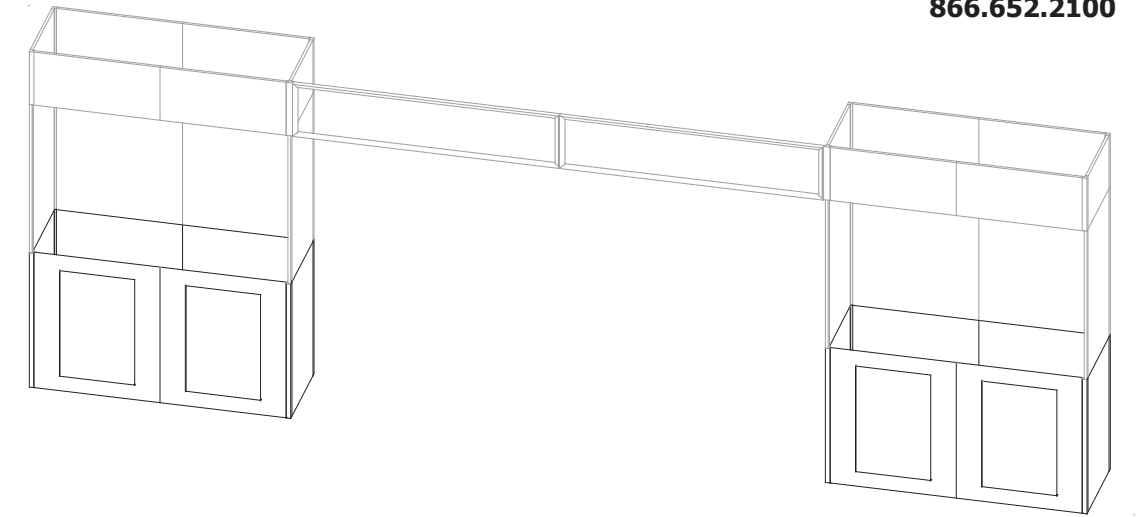


The first level of components contains panel locks that are located at the top of the panel for extra stability and a seamless connection. When disassembling panels, twist top connection slightly and lift right panel upward.

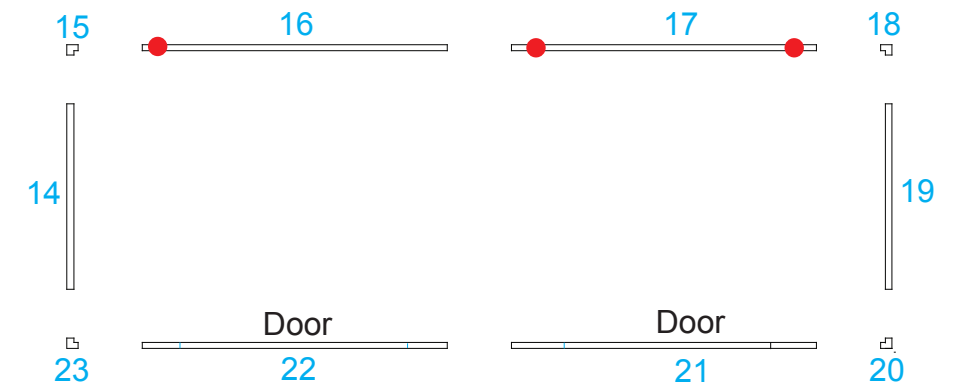
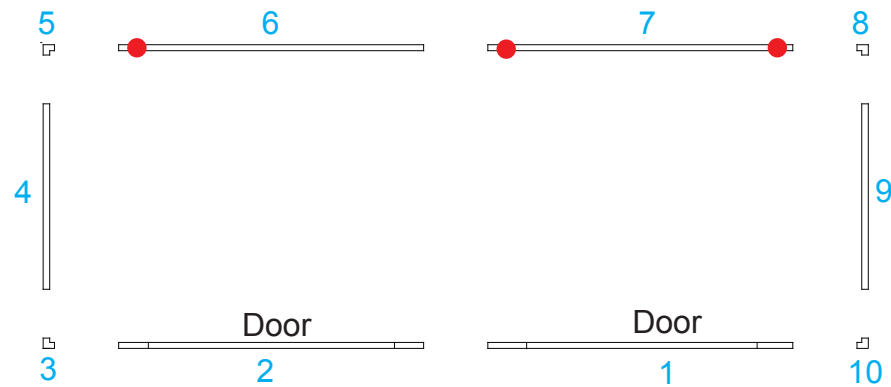


866.652.2100

Item Number	Description
1	28" w x 38" h Flat Panel w/ Door
2	28" w x 38" h Flat Panel w/ Door
3	38" h 90° Connector
4	19" w x 38" h Flat Panel
5	38" h 90° Connector
6	28" w x 38" h Flat Panel
7	28" w x 38" h Flat Panel
8	38" h 90° Connector
9	19" w x 38" h Flat Panel
10	38" h 90° Connector
14	19" w x 38" h Flat Panel
15	38" h 90° Connector
16	28" w x 38" h Flat Panel
17	28" w x 38" h Flat Panel
18	38" h 90° Connector
19	19" w x 38" h Flat Panel
20	38" h 90° Connector
21	28" w x 38" h Flat Panel w/ Door
22	28" w x 38" h Flat Panel w/ Door
23	38" h 90° Connector



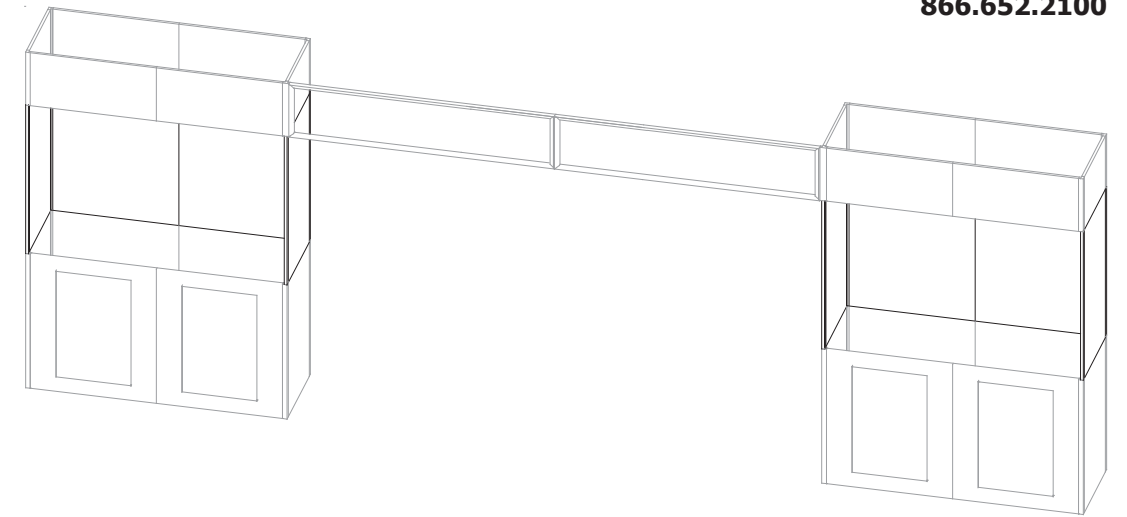
Steps:  
 1) Connect door panel [1] to door panel [2], and continue in numerical order.



● : Thumbscrew Location

866.652.2100

Item Number	Description
3	42”h End Cap
4	19”w x 42”h Flat Panel
5	42”h 90° Connector
6	28”w x 42”h Flat Panel w/ Wood Core
7	28”w x 42”h Flat Panel w/ Wood Core
8	42”h 90° Connector
9	19”w x 42”h Flat Panel
10	42”h End Cap
14	19”w x 42”h Flat Panel
15	42”h 90° Connector
16	28”w x 42”h Flat Panel w/ Wood Core
17	28”w x 42”h Flat Panel w/ Wood Core
18	42”h 90° Connector
19	19”w x 42”h Flat Panel
20	42”h End Cap
23	42”h End Cap



Steps:

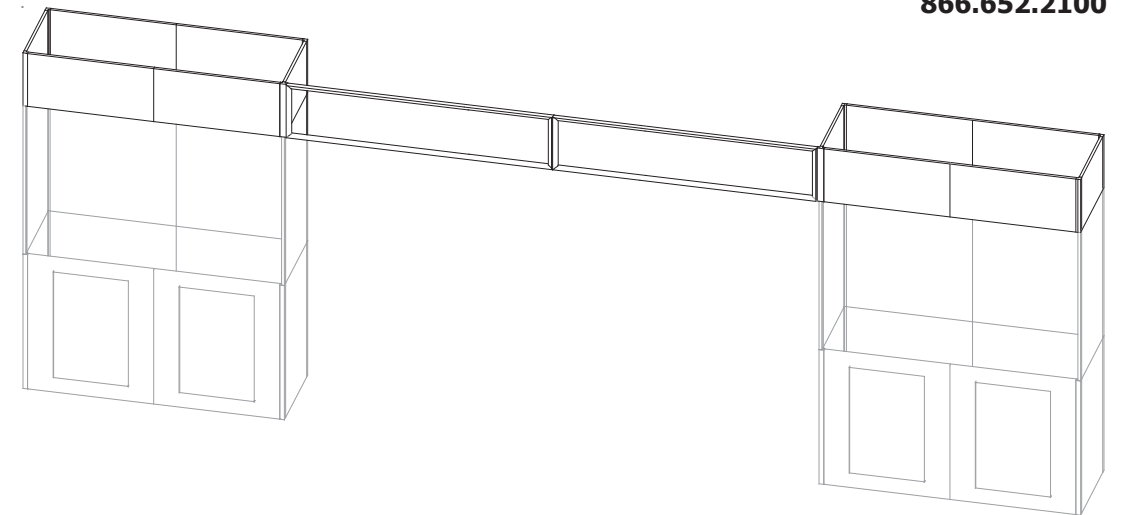
- 1) Connect end cap [1] to panel [2], and continue in numerical order.



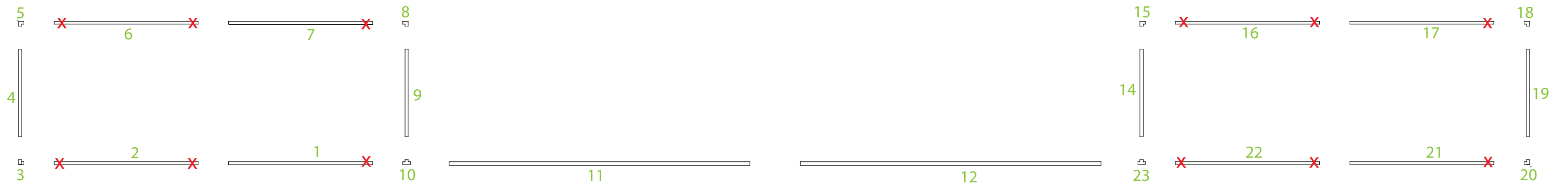
X : Pin Location  
 ● : Thumbscrew Location

866.652.2100

Item Number	Description
1	28" w x 15" h Flat Panel
2	28" w x 15" h Flat Panel
3	15" h 90° Connector
4	19" w x 15" h Flat Panel
5	15" h 90° Connector
6	28" w x 15" h Flat Panel
7	28" w x 15" h Flat Panel
8	15" h 90° Connector
9	19" w x 15" h Flat Panel
10	15" h T Connector
11	60" w x 15" h Window Frame
12	60" w x 15" h Window Frame
14	19" w x 15" h Flat Panel
15	15" h 90° Connector
16	28" w x 15" h Flat Panel
17	28" w x 15" h Flat Panel
18	15" h 90° Connector
19	19" w x 15" h Flat Panel
20	15" h 90° Connector
21	28" w x 15" h Flat Panel
22	28" w x 15" h Flat Panel
23	15" h T Connector

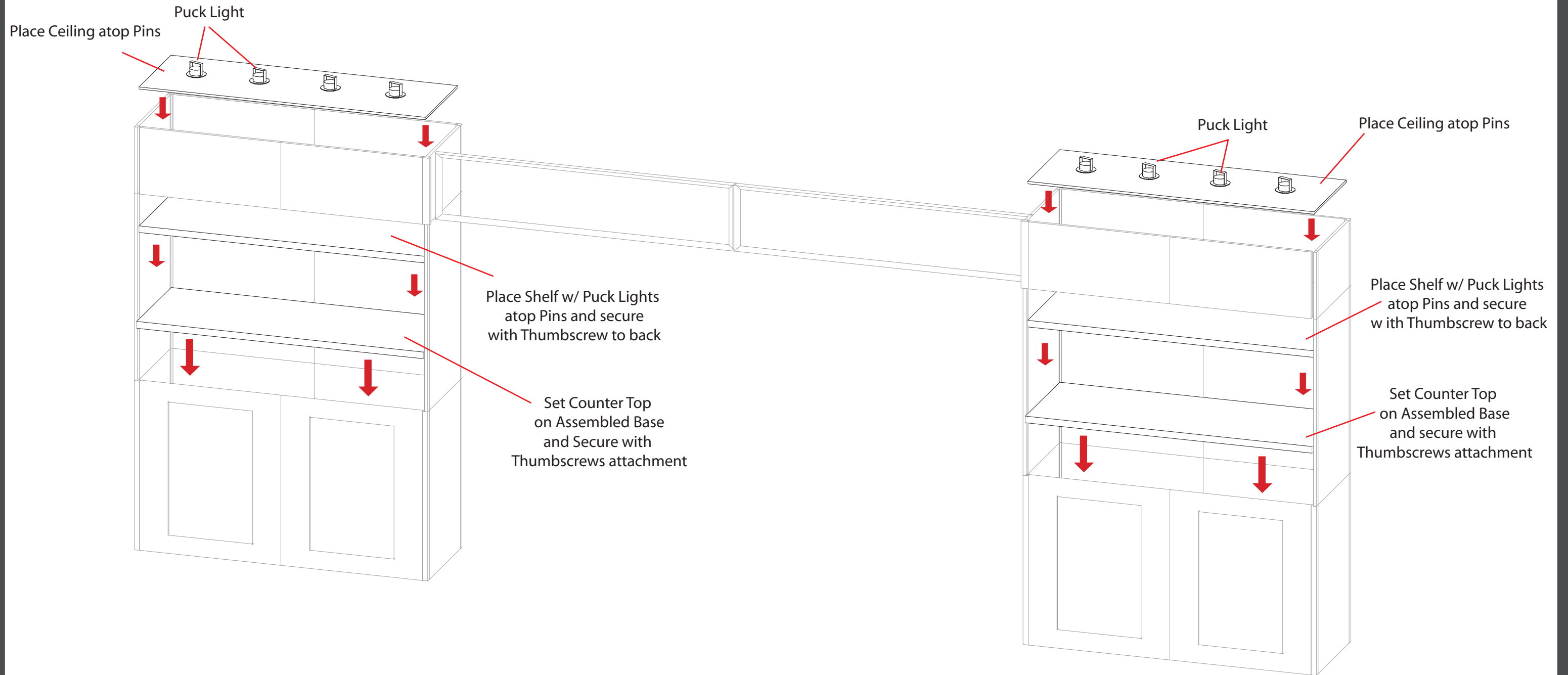


Steps:  
 1) Connect panel [1] to panel [2],  
 and continue in numerical order



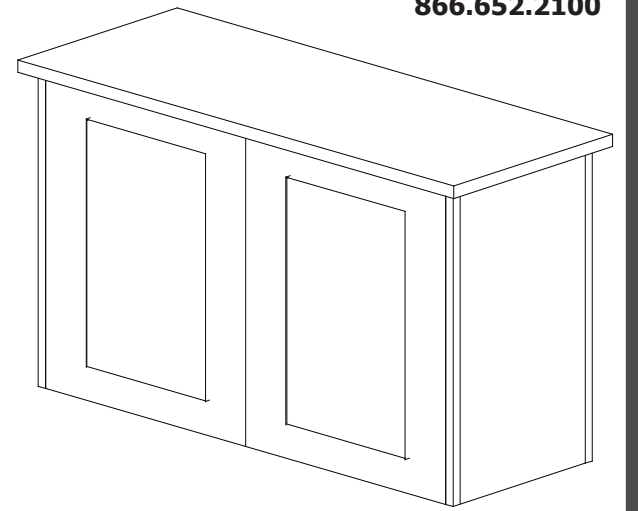
X : Pin Location

866.652.2100



Item Number	Description
24	28" w x 38" h Flat Panel w/ Door
25	28" w x 38" h Flat Panel w/ Door
26	38" h 90° Connector
27	19" w x 38" h Flat Panel
28	38" h 90° Connector
29	28" w x 38" h Flat Panel
30	28" w x 38" h Flat Panel
31	38" h 90° Connector
32	19" w x 38" h Flat Panel
33	38" h 90° Connector

866.652.2100

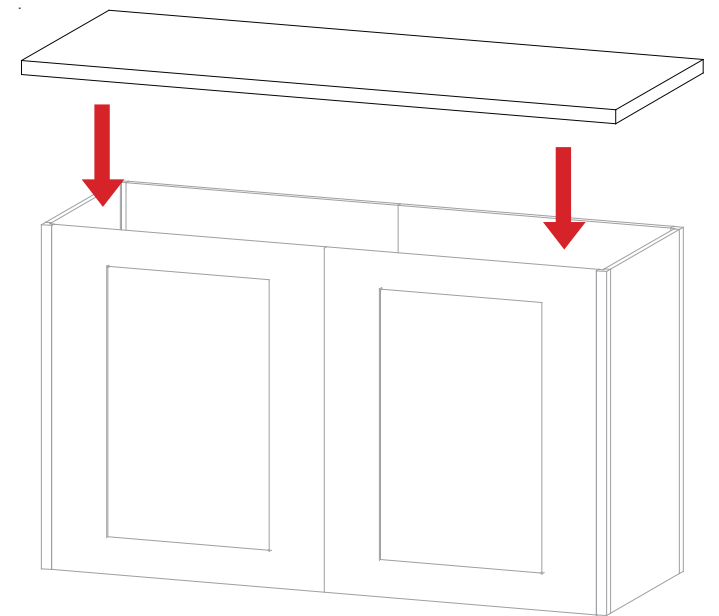


Steps:

1) Connect door panel [24] to door panel [25], and continue in numerical order.



Place counter atop assembled pedestal.



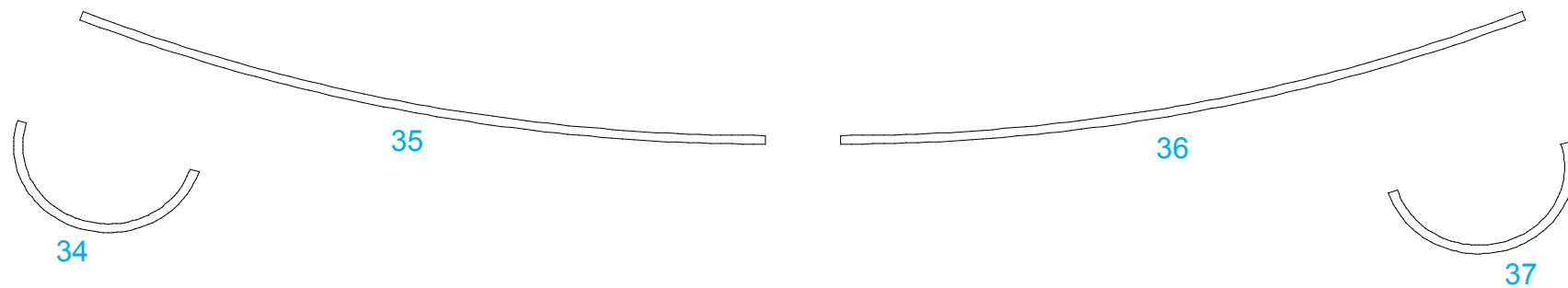
866.652.2100

Item Number	Description
34	5.75"r x 38"h Half Curve Panel
35	10"r x 38"h Curve Panel
36	10"r x 38"h Curve Panel
37	5.75"r x 38"h Half Curve Panel

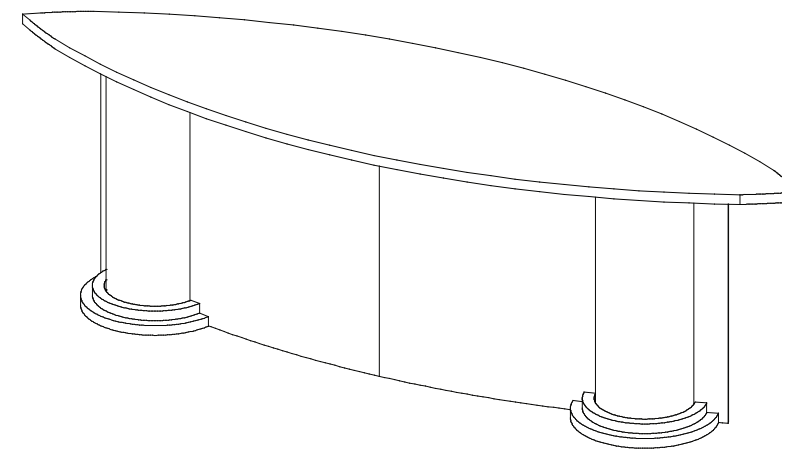
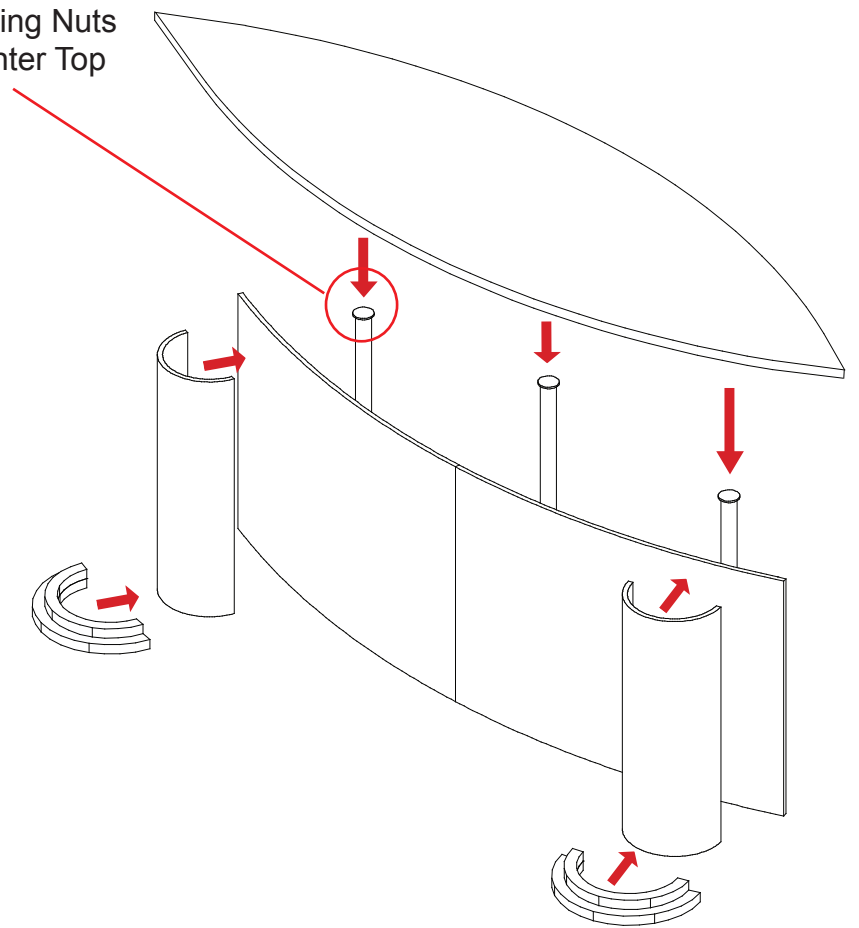
Steps:

- 1) Connect curve panel [35] to curve panel [36].
- 2) Slide half curve panels and decorative ring against assembled panels as shown.
- 3) Set counter atop assembled base and supports as shown.

**Note:** Sets up flush to Pop Up Unit



Use provided Wing Nuts to secure Counter Top

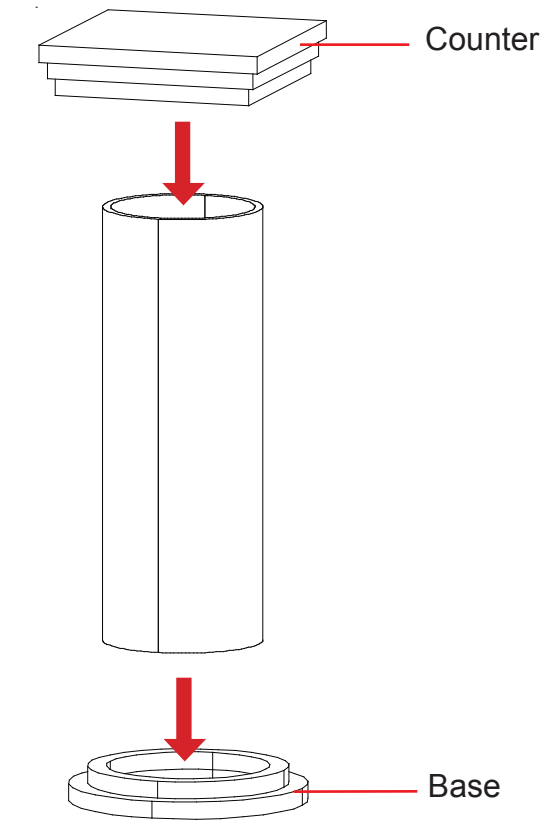
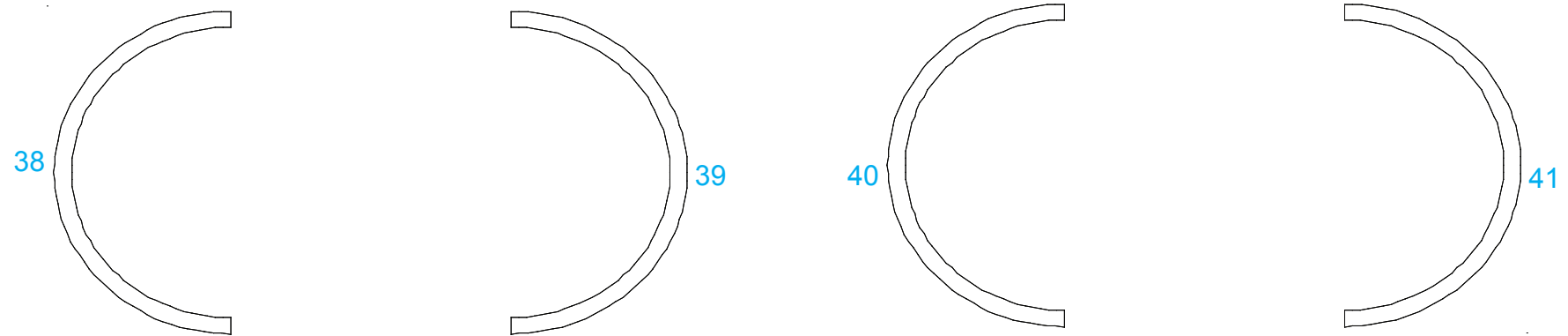
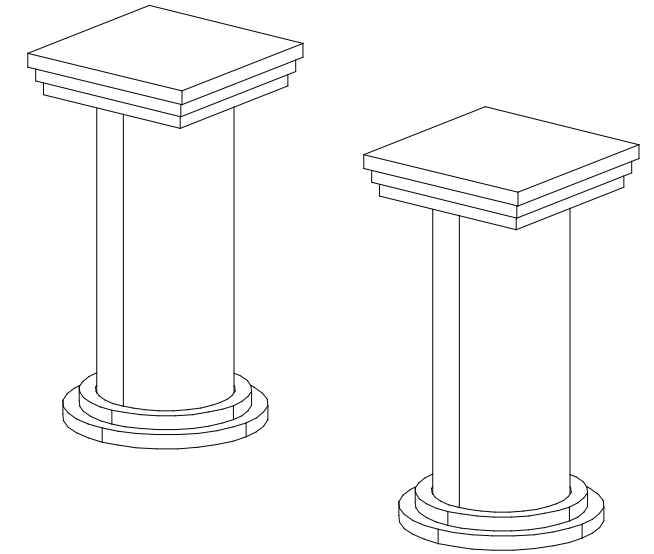


866.652.2100

Item Number	Description
38	5.75"r x 38"h Half Curve Panel
39	5.75"r x 38"h Half Curve Panel
40	5.75"r x 38"h Half Curve Panel
41	5.75"r x 38"h Half Curve Panel

Steps:

- 1) Connect half curve panels [38&39] and [40&41] together.
- 2) Place assembled tube atop round base.
- 3) Set square counter top on assembled column as shown.



**NOTE :**

PDF copies of your Setup Instructions are available @ [classicexhibits.com](http://classicexhibits.com)  
See the search tool on the lower left hand corner of the Home page.

Enter the 5 digit Order #.

Search for Setup Instructions