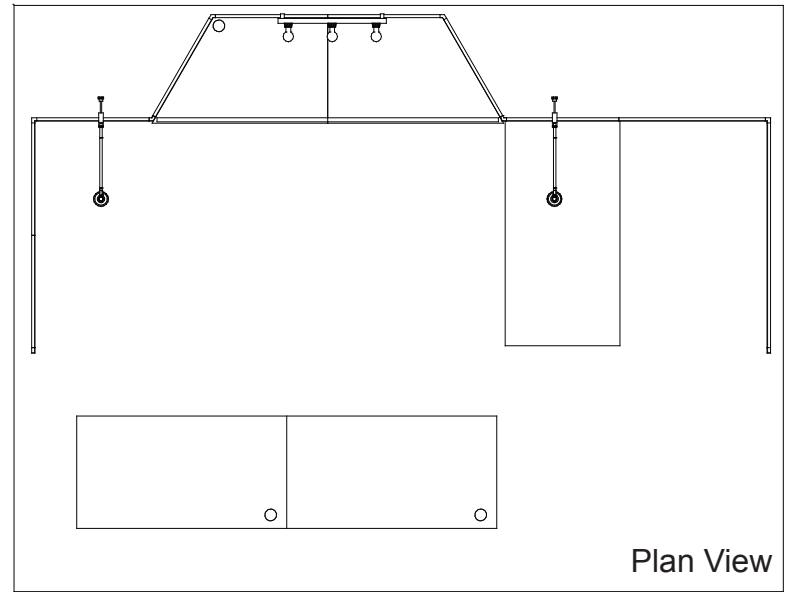
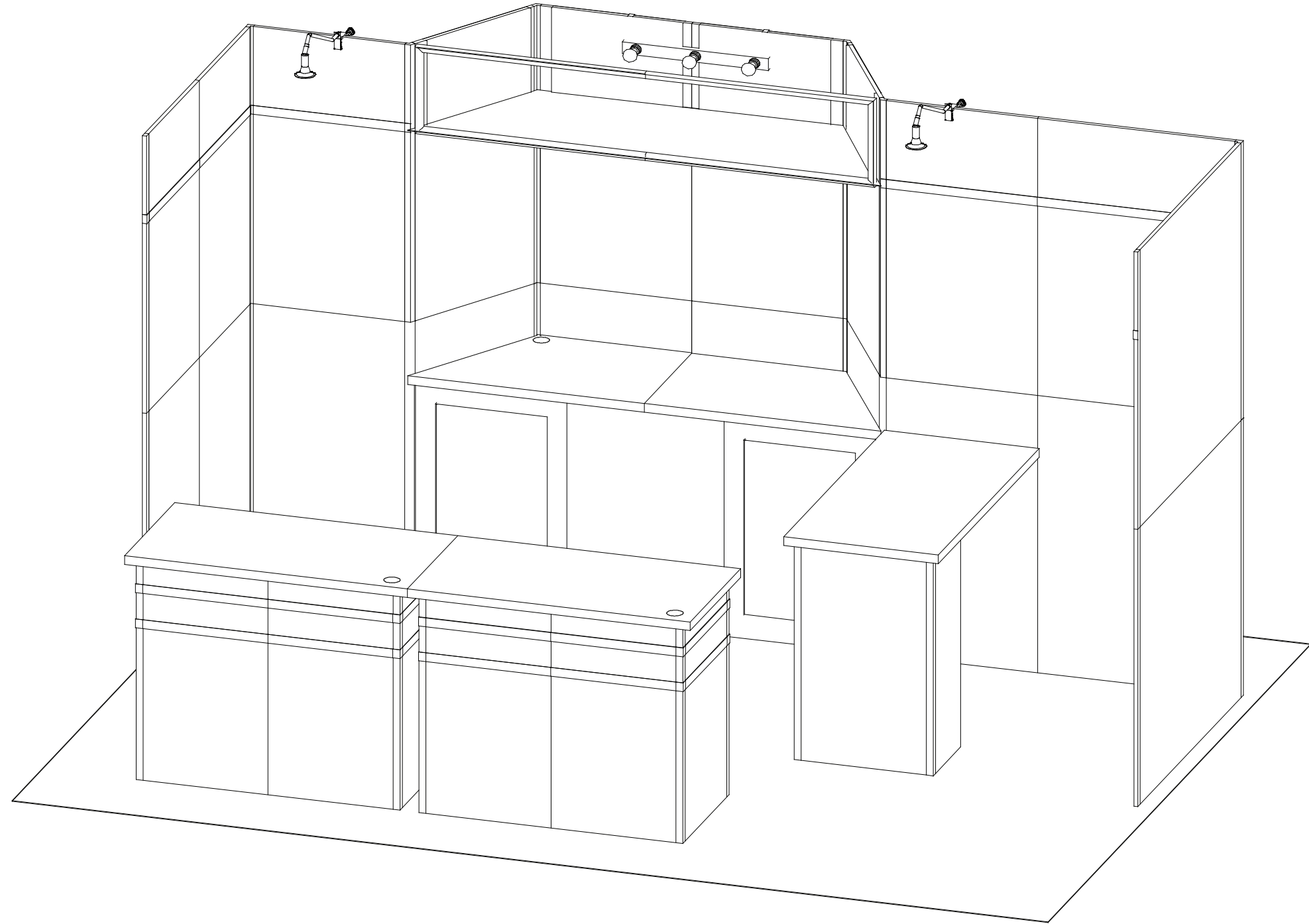


euro It



euro lt | HYBRIDS

Euro LT Hybrids General Setup Instructions

Using Your Setup Instructions

The Euro LT Hybrids Setup Instructions are created specifically for your configuration. They are laid out sequentially in levels, including exploded views, and a logical series of detailed steps to assemble the main structure and components. We encourage you to study the instructions **before** attempting to assemble your exhibit.

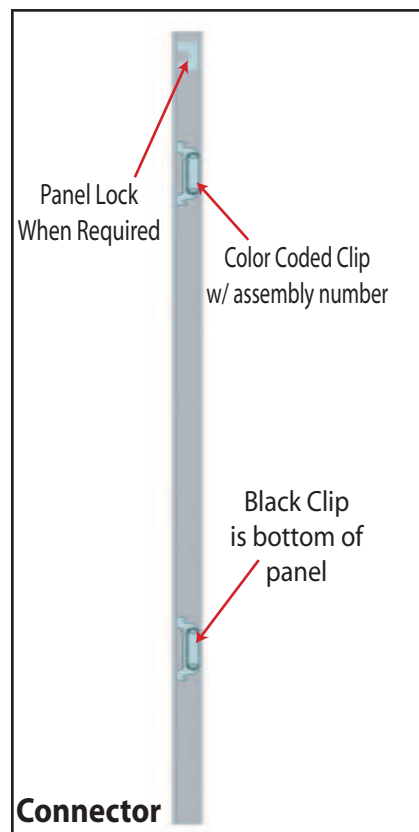
Cleaning and Packing Your Display

- 1) When cleaning laminate countertops or panels use mild cleansers and a soft material such as cotton.
- 2) Keep all display components away from extreme heat and long exposure to sunlight to avoid warping and fading.
- 3) Retain all packing material. It will make re-packing much easier and will reduce the likelihood of shipping damage.

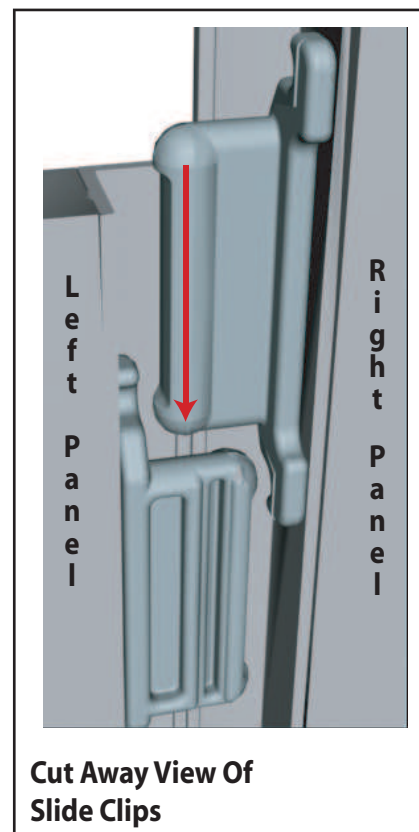
Level 1 = Blue
 Level 2 = Red
 Level 3 = Green
 Level 4 = Black

Color Code

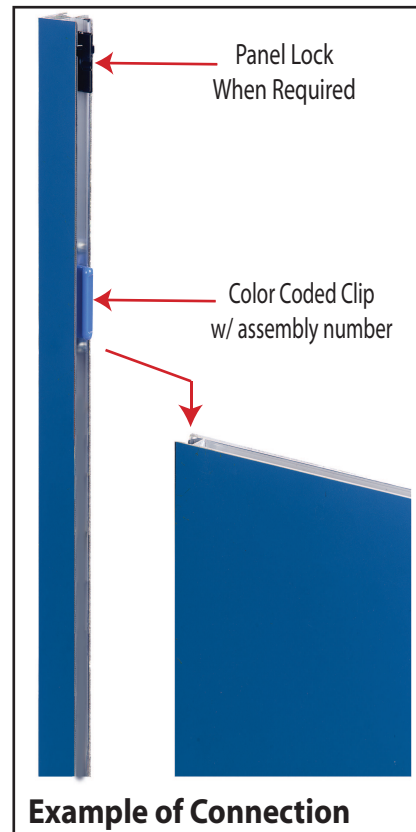
The top clip is color coded to distinguish the level. The color coded clip also contains the numbered label



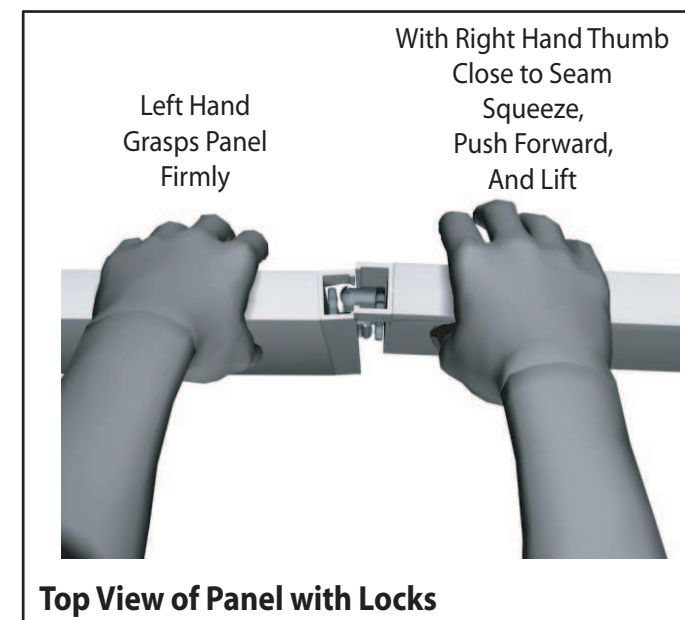
Each component has 2 clips, the lower clip is ALWAYS black.



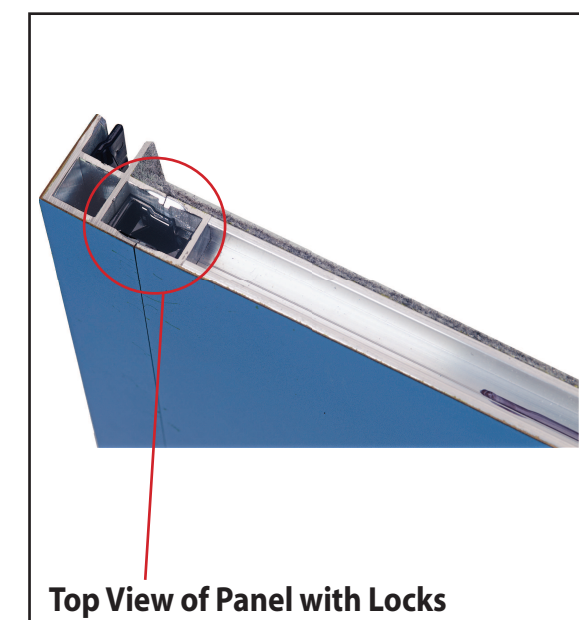
Components connect together by aligning them and sliding downward connecting clips together.



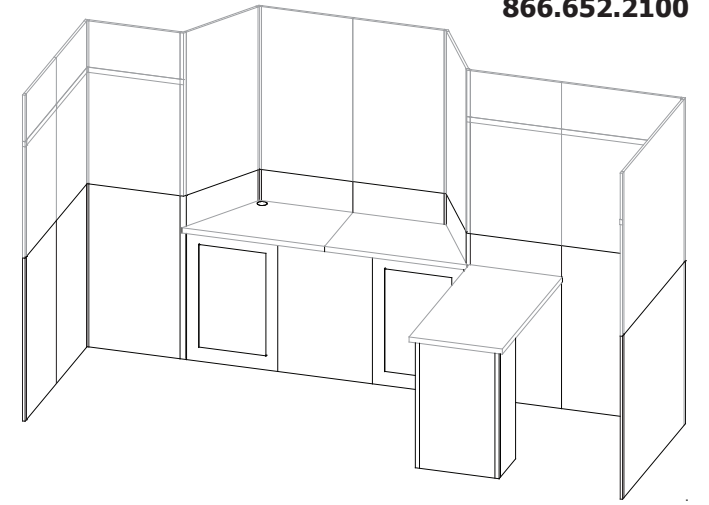
Configurations are assembled from left to right, usually starting with #1 and following the numbered sequence.



The first level of components contains panel locks that are located at the top of the panel for extra stability and a seamless connection. When disassembling panels, twist top connection slightly and lift right panel upward.



866.652.2100



Item Number	Description
1	47.5”h End Cap
2	23”w x 47.5”h Flat Panel
3	23”w x 47.5”h Flat Panel
4	47.5”h 90° Connector
5	23”w x 47.5”h Flat Panel
6	47.5”h 3-Way Connector
7	23”w x 38”h Flat Panel w/ Door
8	23”w x 47.5”h Flat Panel
9	47.5”h 120° Connector
10	23”w x 47.5”h Flat Panel
11	23”w x 47.5”h Flat Panel
12	47.5”h 120° Connector
13	23”w x 47.5”h Flat Panel
14	28”w x 38”h Flat Panel
15	23”w x 38”h Flat Panel w/ Door
16	47.5”h 3-Way Connector
17	23”w x 47.5”h Flat Panel with Counter Attachment
18	30”w x 47.5”h Flat Panel
19	47.5”h 90° Connector
20	46”w x 47.5”h Flat Panel
21	47.5”h End Cap
22	38”h End Cap
23	11.5”w x 38”h Flat Panel
24	38”h 90° Connector
25	19”w x 38”h Flat Panel
26	38”h 90° Connector
27	11.5”w x 38”h Flat Panel
28	38”h End Cap

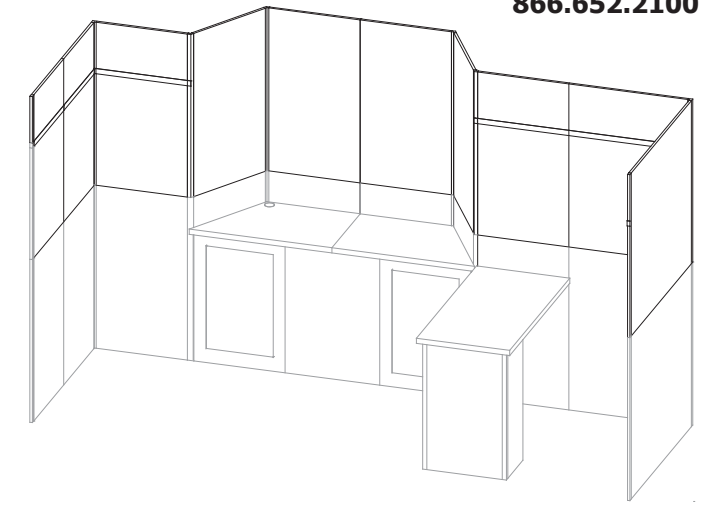


Steps:
 1) Connect end cap 1 to panel 2
 2) Continue in numerical order

X = Thumbscrew Location

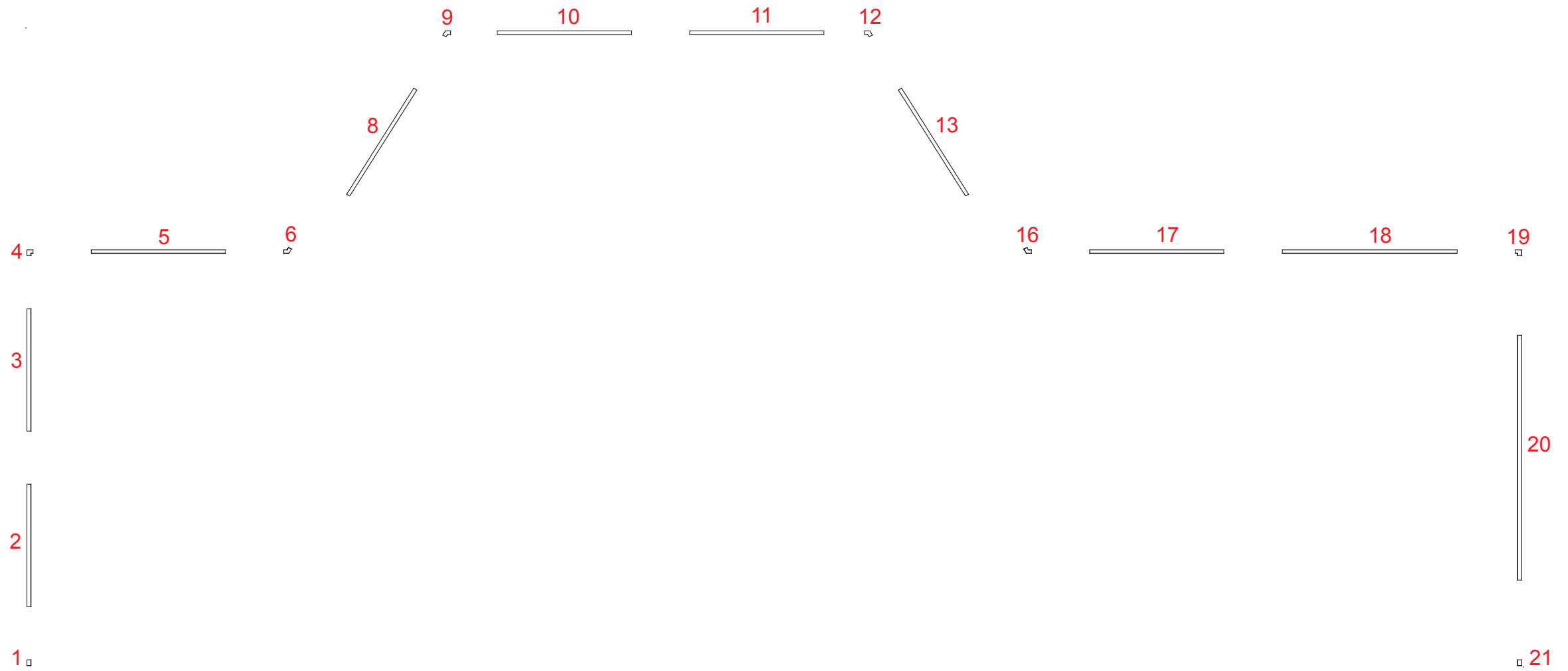
866.652.2100

Item Number	Description
1	47.5”h End Cap
2	23”w x 47.5”h Flat Panel
3	23”w x 47.5”h Flat Panel
4	47.5”h 90° Connector
5	23”w x 47.5”h Flat Panel
6	47.5”h 3-Way Connector
8	23”w x 47.5”h Flat Panel
9	47.5”h 120° Connector
10	23”w x 47.5”h Flat Panel
11	23”w x 47.5”h Flat Panel
12	47.5”h 120° Connector
13	23”w x 47.5”h Flat Panel
16	47.5”h 3-Way Connector
17	23”w x 47.5”h Flat Panel
18	30”w x 47.5”h Flat Panel
19	47.5”h 90° Connector
20	46”w x 47.5”h Flat Panel
21	47.5”h End Cap



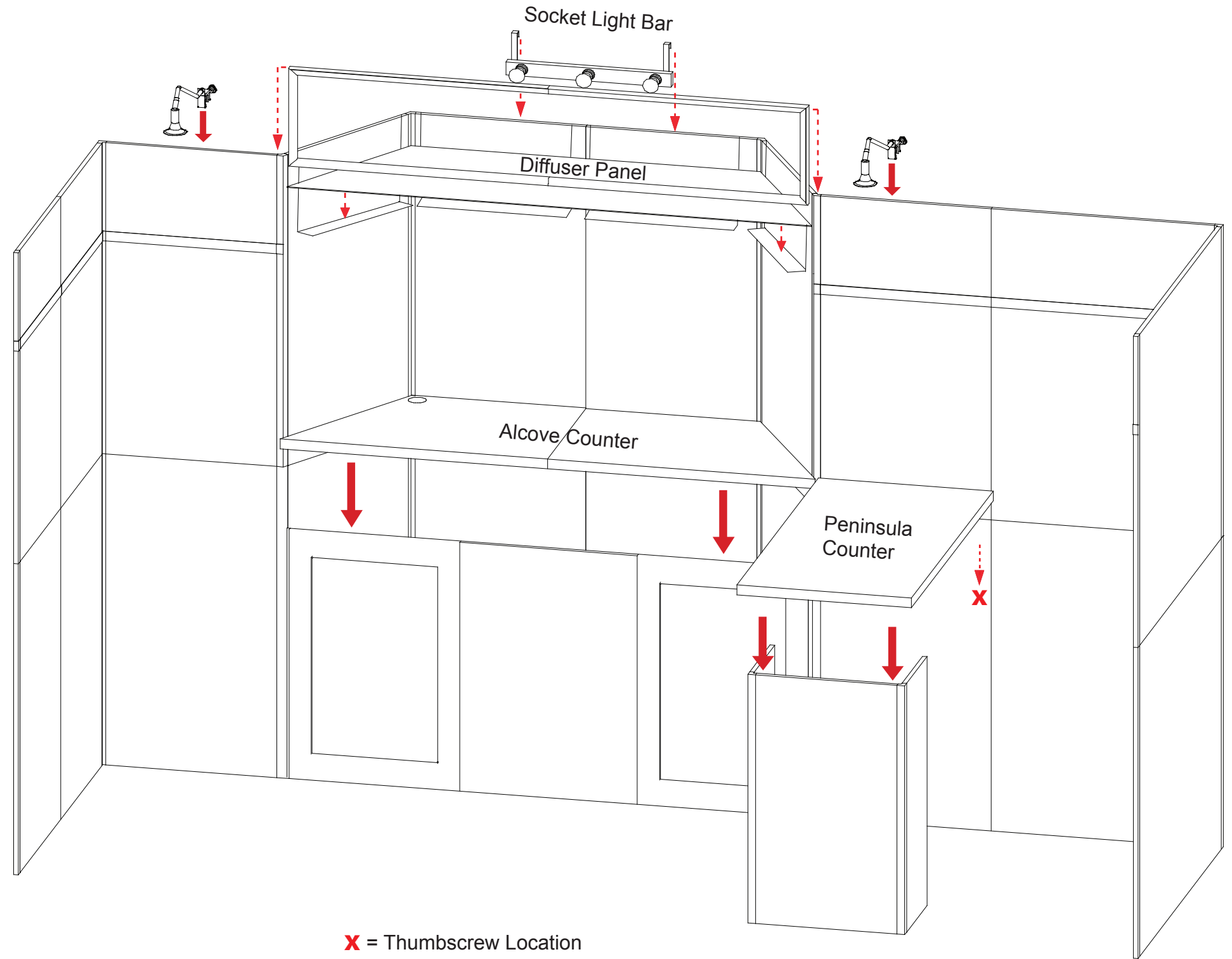
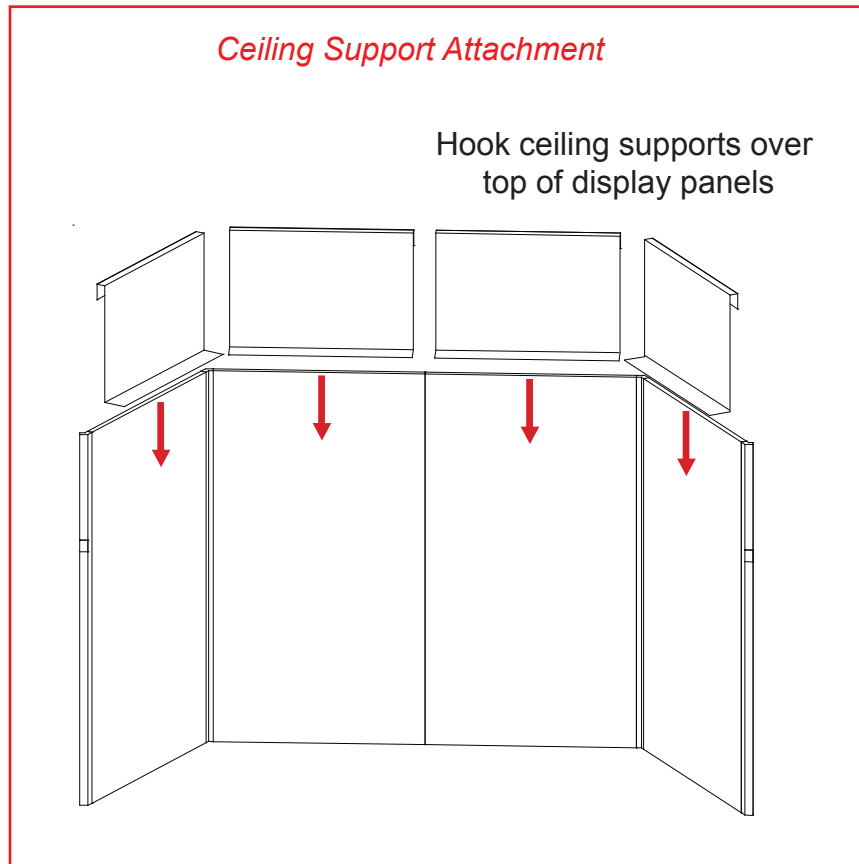
Steps:

- 1) Connect end cap 1 to panel 2
- 2) Continue in numerical order



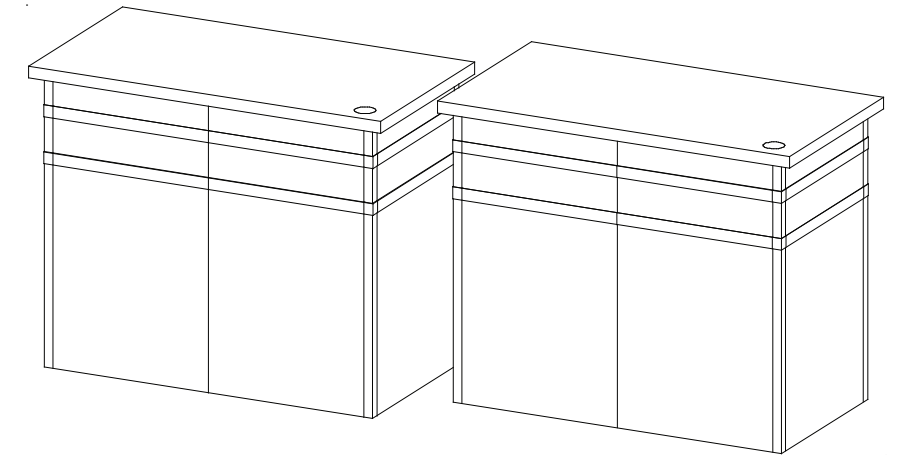
Steps:

- 1) Place alcove counter top atop assembled base and thumbscrews.
- 2) Place peninsula counter atop assembled base and thumbscrews.
- 3) Hook ceiling supports to top of assembled backwall as indicated.
- 4) Set diffuser panel atop ceiling supports.
- 5) Attach lights to top of assembled backwall.
- 6) Hook header to top of assembled backwall as indicated.



866.652.2100

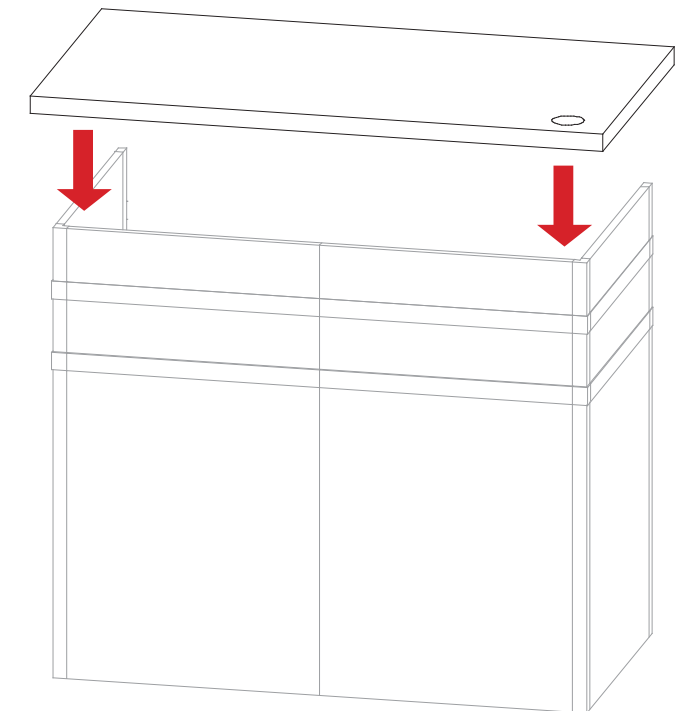
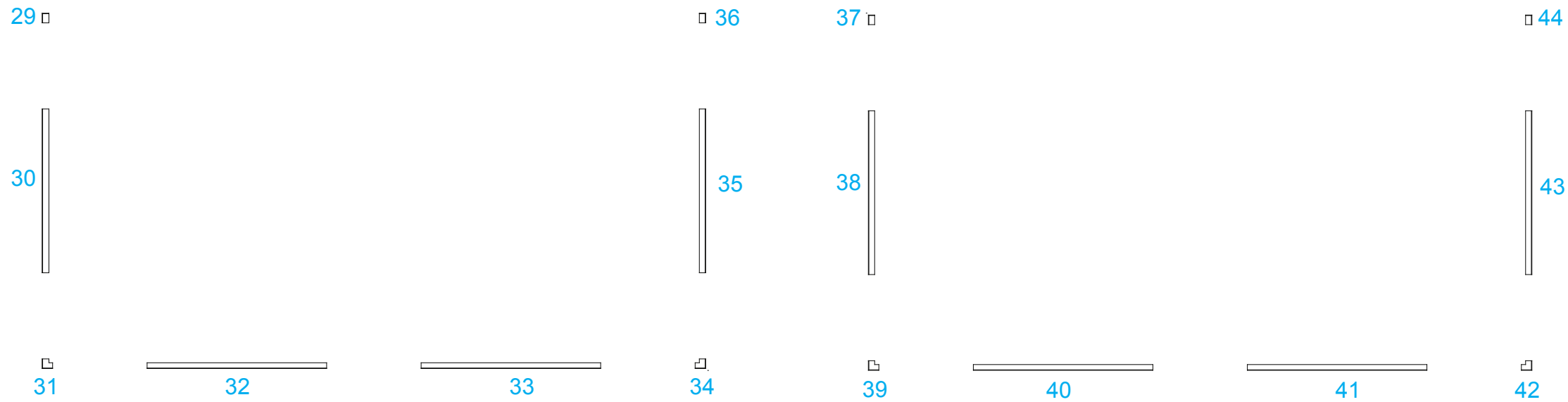
Item Number	Description
29	38" h End Cap
30	19" w x 38" h Flat Panel
31	38" 90° Connector
32	19" w x 38" h Flat Panel
33	19" w x 38" h Flat Panel
34	38" 90° Connector
35	19" w x 38" h Flat Panel
36	38" h End Cap
37	38" h End Cap
38	19" w x 38" h Flat Panel
39	38" 90° Connector
40	19" w x 38" h Flat Panel
41	19" w x 38" h Flat Panel
42	38" 90° Connector
43	19" w x 38" h Flat Panel
44	38" h End Cap



Steps:

- 1) Connect end cap 1 to panel 2
- 2) Continue in numerical order

Place counter atop assembled base.



NOTE :

PDF copies of your Setup Instructions are available @ classicexhibits.com
See the search tool on the lower left hand corner of the Home page.

Enter the 5 digit Order #.

Search for Setup Instructions