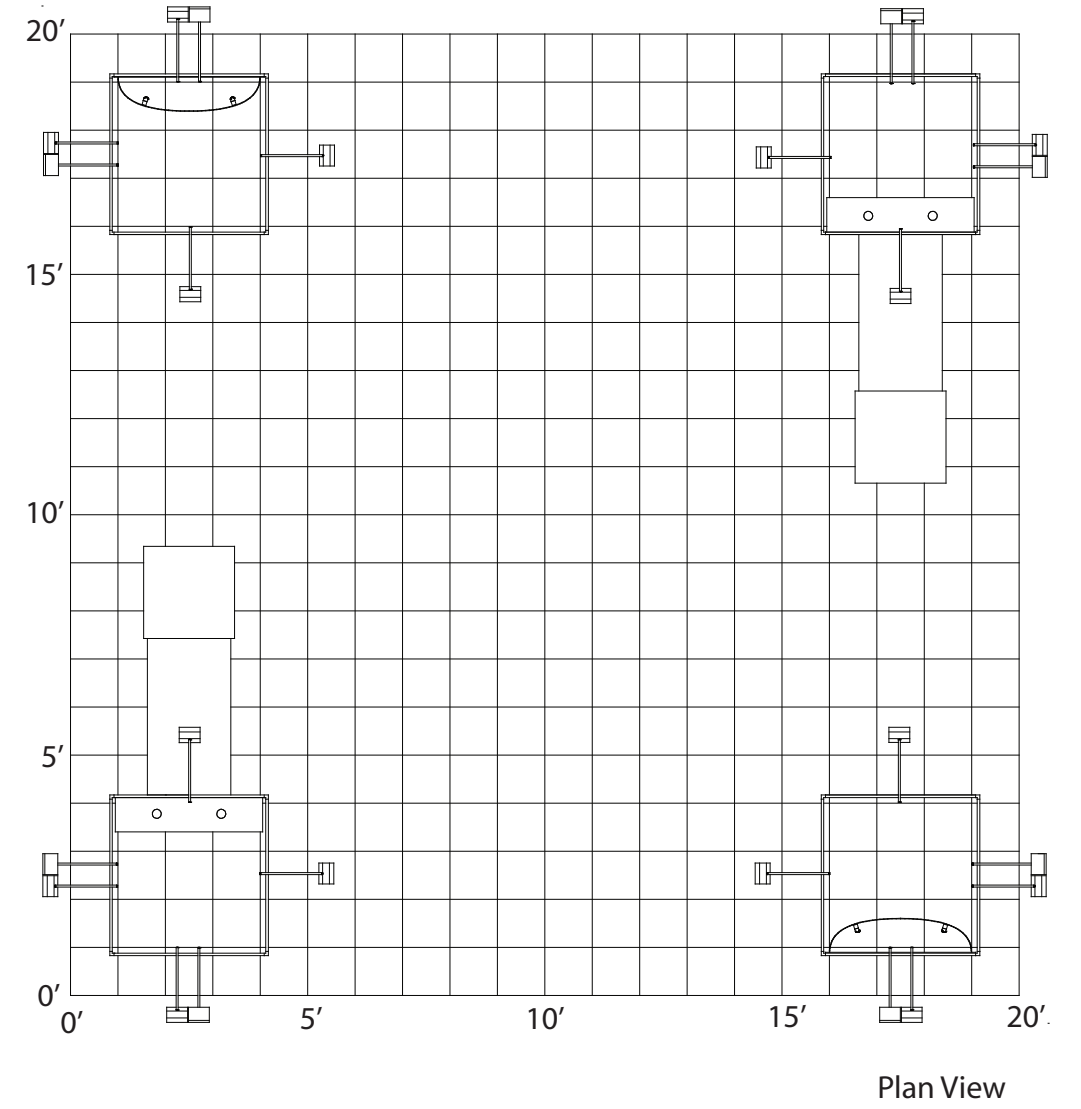
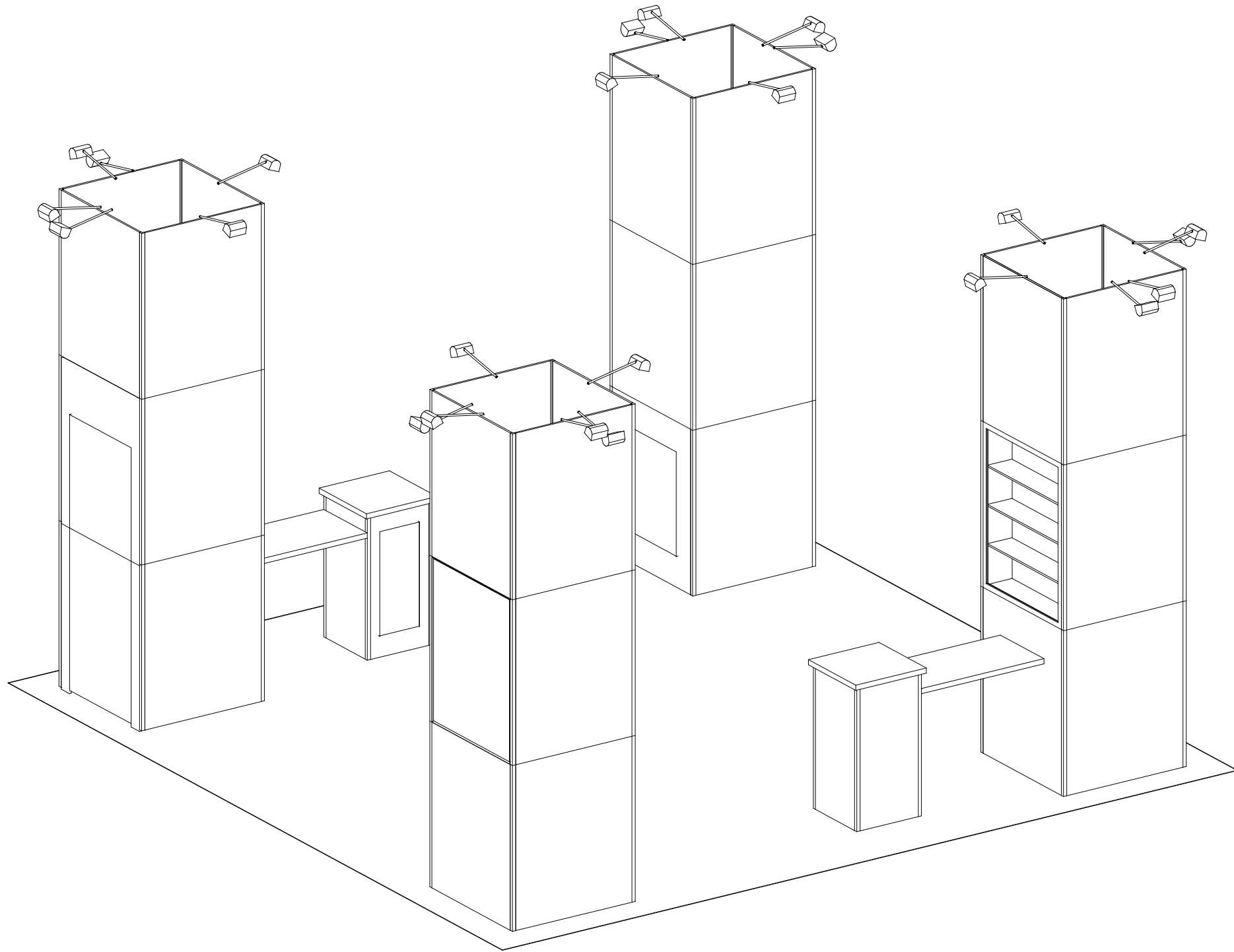


# euro It



# euro lt | HYBRIDS

## Euro LT Hybrids General Setup Instructions

### Using Your Setup Instructions

The Euro LT Hybrids Setup Instructions are created specifically for your configuration. They are laid out sequentially in levels, including exploded views, and a logical series of detailed steps to assemble the main structure and components. We encourage you to study the instructions **before** attempting to assemble your exhibit.

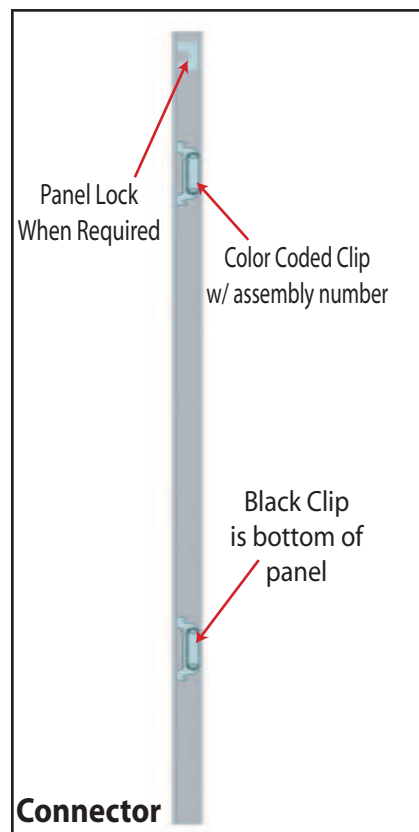
### Cleaning and Packing Your Display

- 1) When cleaning laminate countertops or panels use mild cleansers and a soft material such as cotton.
- 2) Keep all display components away from extreme heat and long exposure to sunlight to avoid warping and fading.
- 3) Retain all packing material. It will make re-packing much easier and will reduce the likelihood of shipping damage.

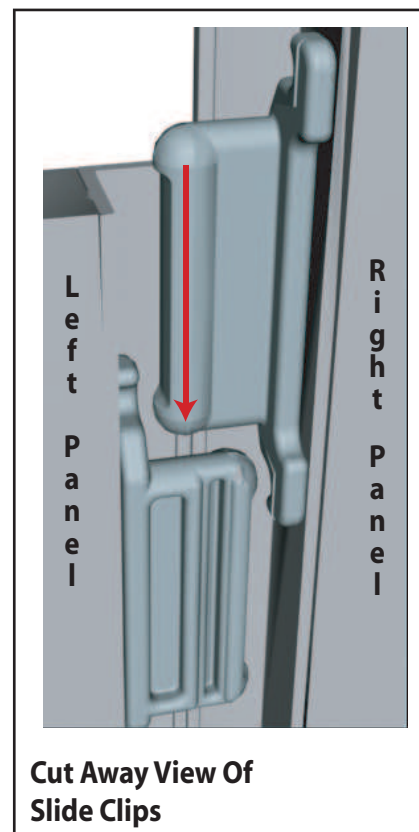
Level 1 = Blue  
 Level 2 = Red  
 Level 3 = Green  
 Level 4 = Black

#### Color Code

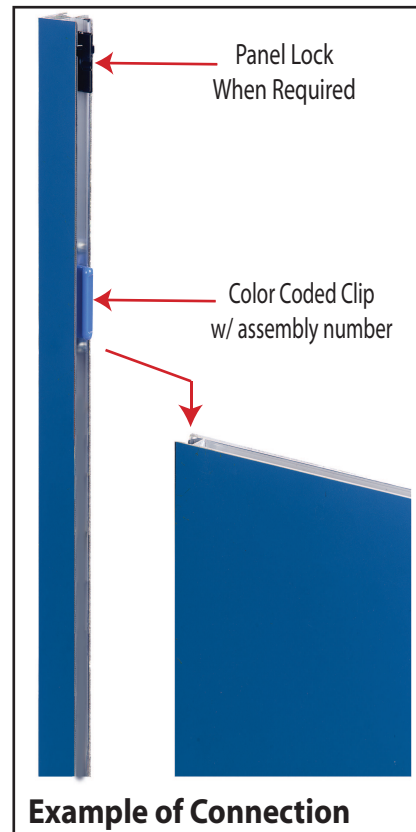
The top clip is color coded to distinguish the level. The color coded clip also contains the numbered label



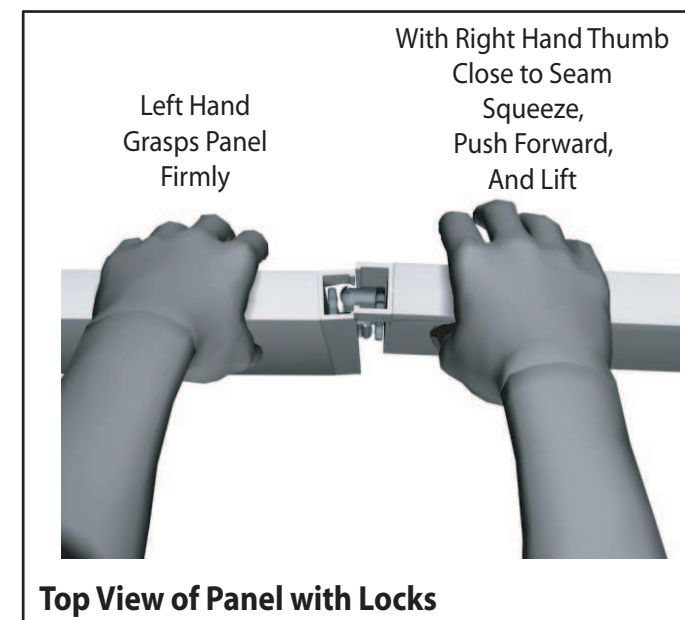
Each component has 2 clips, the lower clip is ALWAYS black..



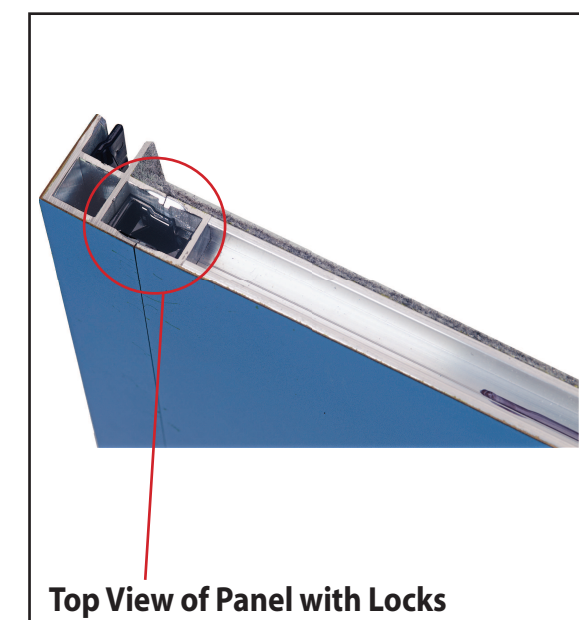
Components connect together by aligning them and sliding downward connecting clips together.



Configurations are assembled from left to right, usually starting with #1 and following the numbered sequence.

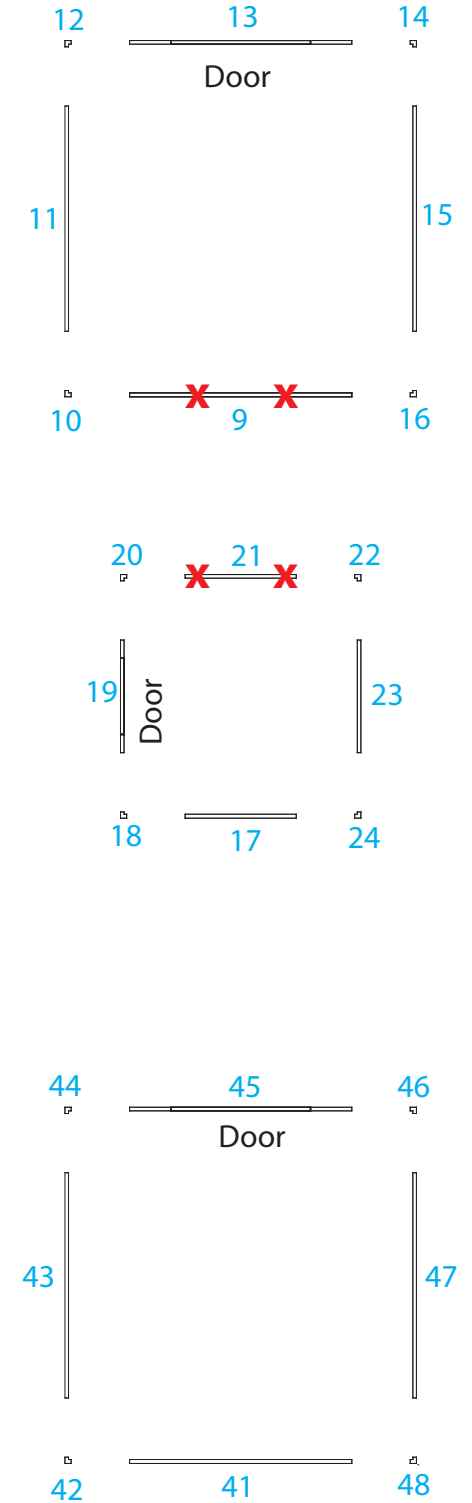
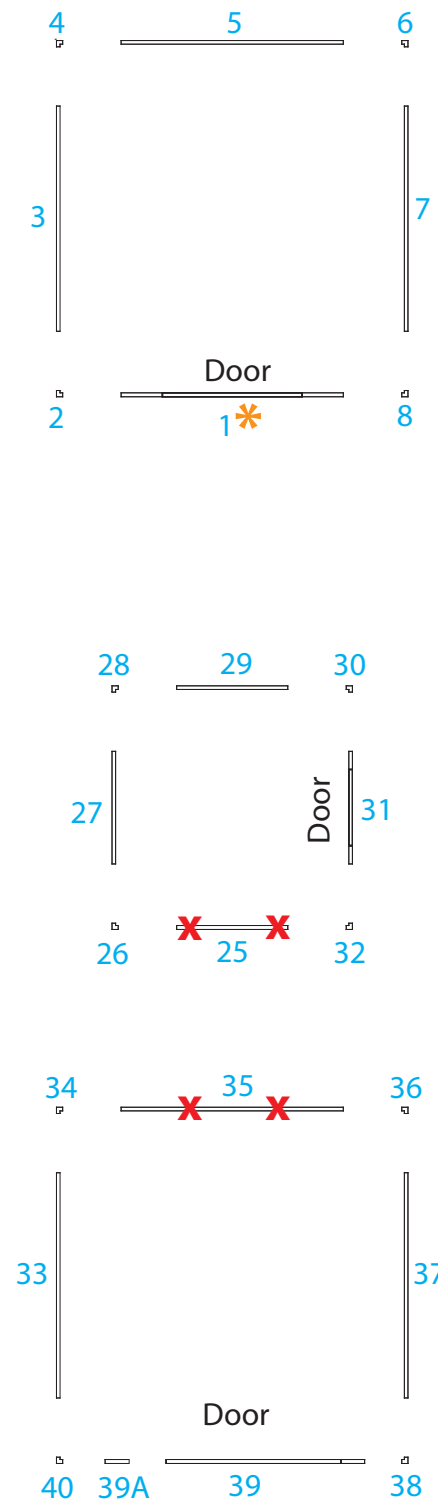


The first level of components contains panel locks that are located at the top of the panel for extra stability and a seamless connection. When disassembling panels, twist top connection slightly and lift right panel upward.



Item Number	Description
1	38" w x 47.5" h Flat Panel w/ Door
2	47.5" h 90° Connector
3	38" w x 47.5" h Flat Panel
4	47.5" h 90° Connector
5	38" w x 47.5" h Flat Panel
6	47.5" h 90° Connector
7	38" w x 47.5" h Flat Panel
8	47.5" h 90° Connector
9	38" w x 47.5" h Flat Panel w/ Counter Attachment
10	47.5" h 90° Connector
11	38" w x 47.5" h Flat Panel
12	47.5" h 90° Connector
13	38" w x 47.5" h Flat Panel w/ Door
14	47.5" h 90° Connector
15	38" w x 47.5" h Flat Panel
16	47.5" h 90° Connector
17	19" w x 42" h Flat Panel
18	42" h 90° Connector
19	19" w x 42" h Flat Panel w/ Door
20	42" h 90° Connector
21	19" w x 42" h Flat Panel w/ Counter Attachment
22	42" h 90° Connector
23	19" w x 42" h Flat Panel
24	42" h 90° Connector
25	19" w x 42" h Flat Panel w/ Counter Attachment
26	42" h 90° Connector
27	19" w x 42" h Flat Panel
28	42" h 90° Connector
29	19" w x 42" h Flat Panel
30	42" h 90° Connector
31	19" w x 42" h Flat Panel w/ Door
32	42" h 90° Connector

Steps:  
 1) Assemble by starting at panel #1\* and continue in numerical order.

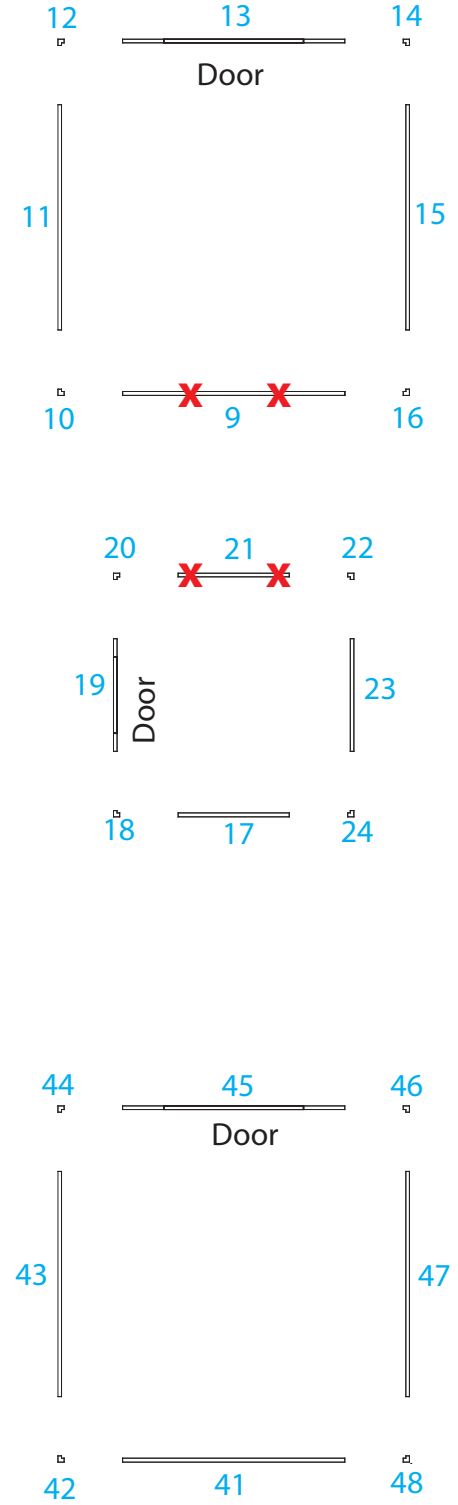
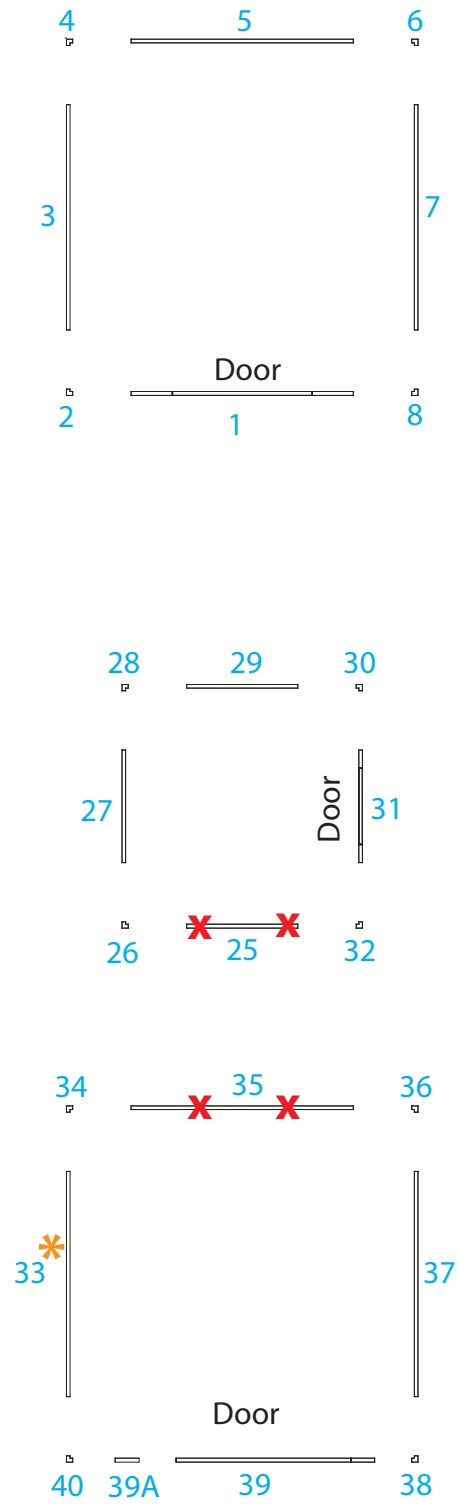


X = Bolt Location

- Continue on next page -

Item Number	Description
33	38" w x 47.5" h Flat Panel
34	47.5" h 90° Connector
35	38" w x 47.5" h Flat Panel
36	47.5" h 90° Connector
37	38" w x 47.5" h Flat Panel
38	47.5" h 90° Connector
39	47.5" h Lower Conference Door
39A	47.5" h Door Stopper
40	47.5" h 90° Connector
41	38" w x 47.5" h Flat Panel w/ Counter Attachment
42	47.5" h 90° Connector
43	38" w x 47.5" h Flat Panel
44	47.5" h 90° Connector
45	38" w x 47.5" h Flat Panel w/ Door
46	47.5" h 90° Connector
47	38" w x 47.5" h Flat Panel
48	47.5" h 90° Connector

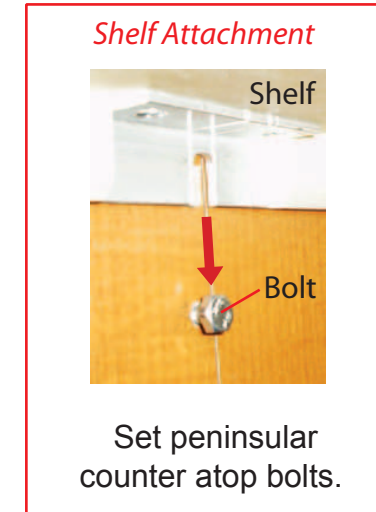
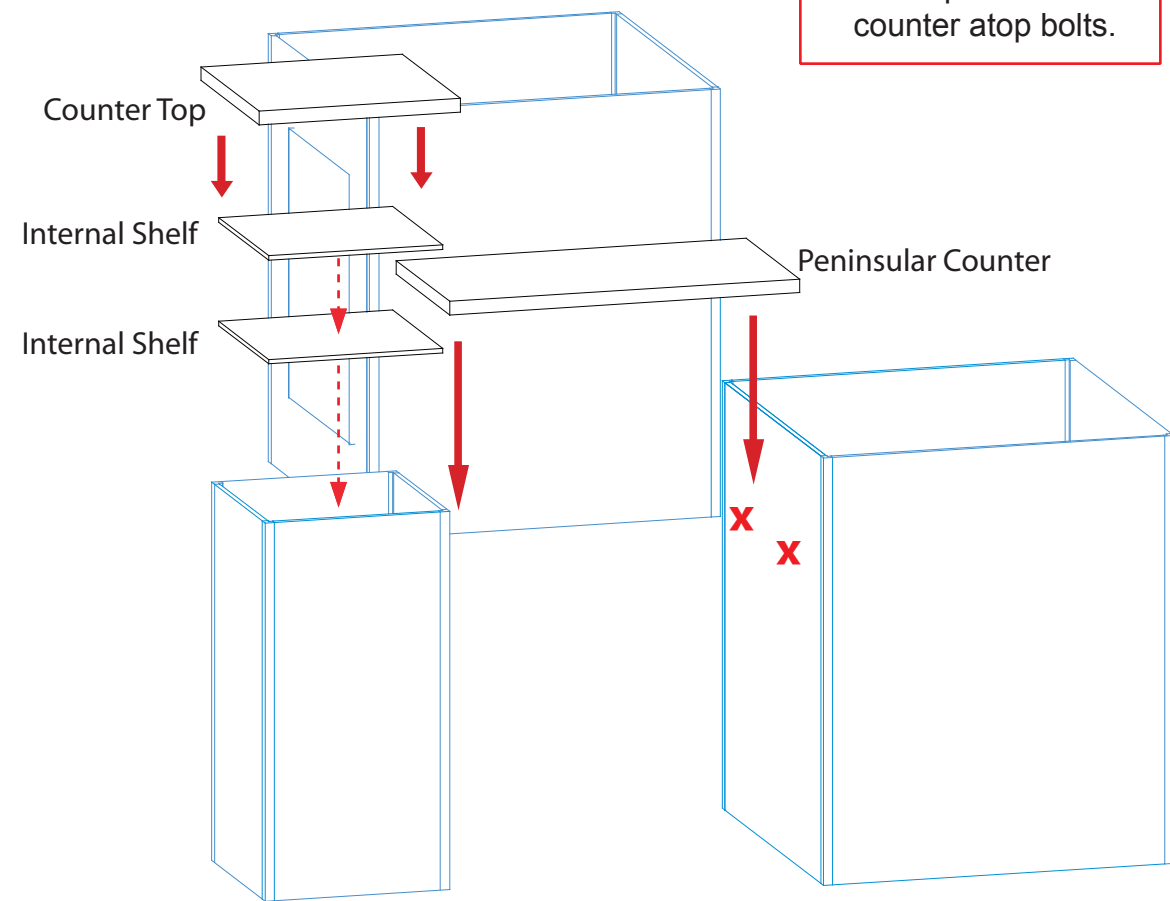
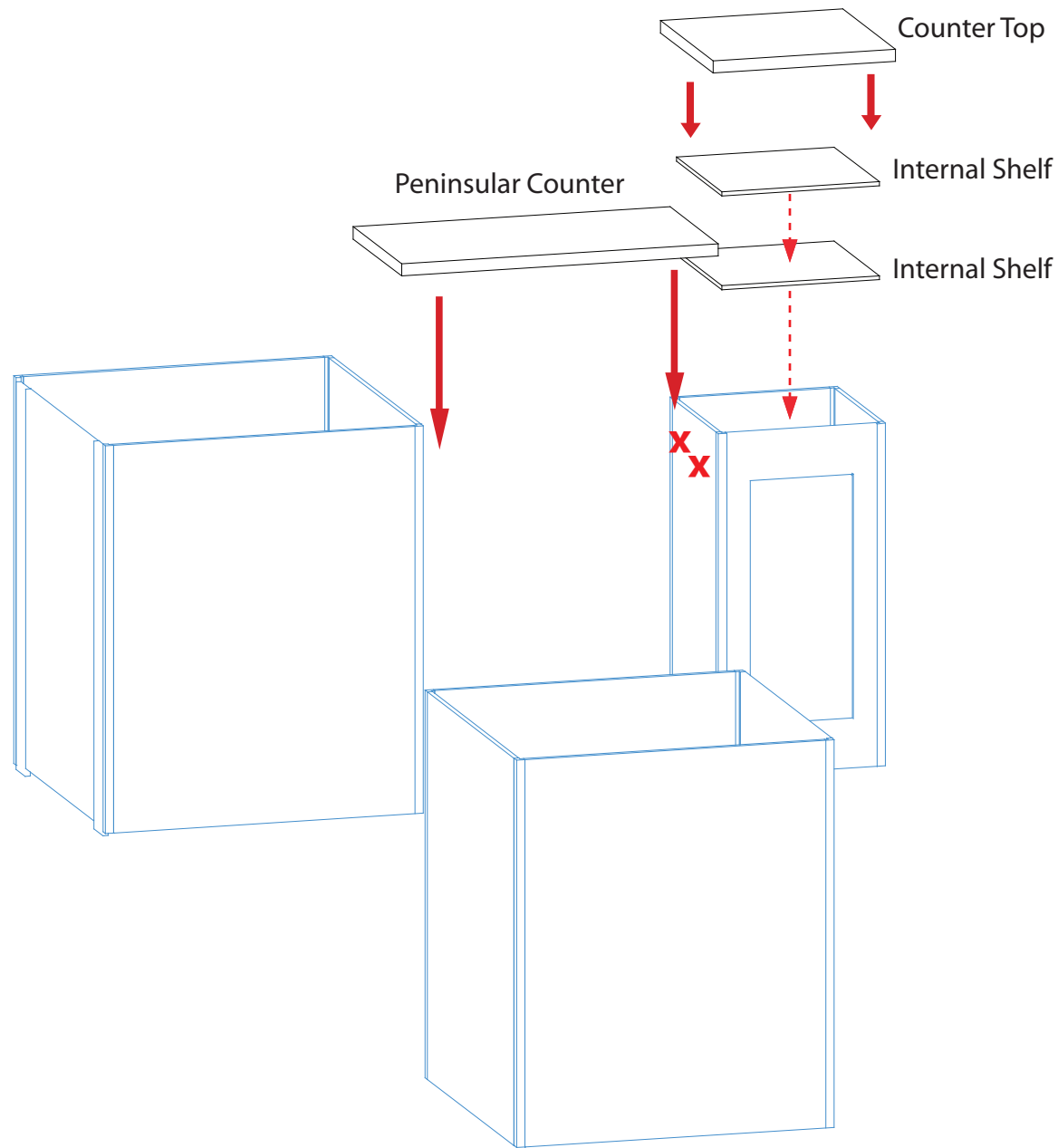
Steps:  
 1) Assemble by starting at panel #33\* and continue in numerical order.



X = Bolt Location

Steps:

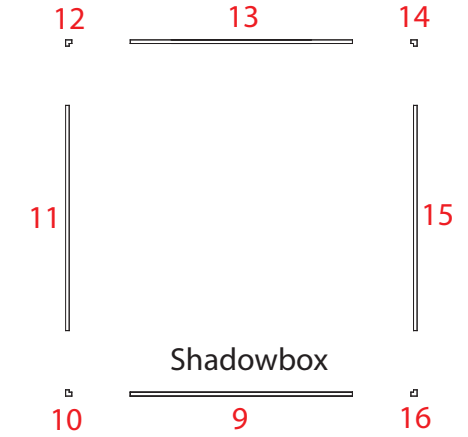
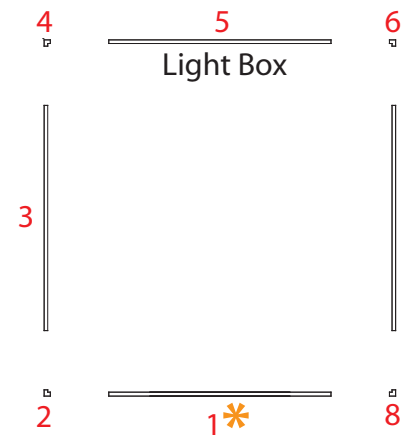
- 1) First Level Internal Shelf: Velcro shelf supports inside assembled base, then set shelf atop supports.
- 2) Second Level Internal Shelf: Velcro shelf supports inside assembled base, then set shelf atop supports.
- 3) Set peninsular counter atop bolts located on panels [ 9, 21, 15 and 35 ].
- 4) Place counter atop assembled base as shown.



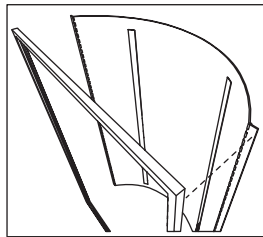
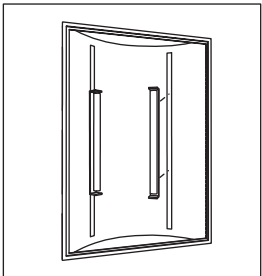
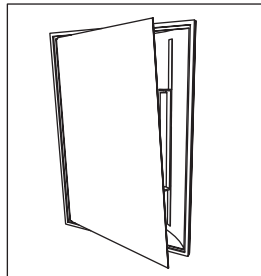
X = BoltLocation

Item Number	Description
1	38" w x 47.5" h Flat Panel
2	47.5" h 90° Connector
3	38" w x 47.5" h Flat Panel
4	47.5" h 90° Connector
5	38" w x 47.5" h Light Box
6	47.5" h 90° Connector
7	38" w x 47.5" h Flat Panel
8	47.5" h 90° Connector
9	38" w x 47.5" h 1-Piece Shadowbox w/ door and lock
10	47.5" h 90° Connector
11	38" w x 47.5" h Flat Panel
12	47.5" h 90° Connector
13	38" w x 47.5" h Flat Panel
14	47.5" h 90° Connector
15	38" w x 47.5" h Flat Panel
16	47.5" h 90° Connector

Steps:  
 1) Assemble by starting at panel #1\* and continue in numerical order.



**Light Box Assembly**

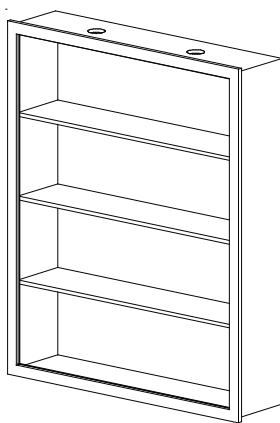




Step 1: Making sure that velcro is facing to the front of the booth bend reflector and attach hinged portion to velcro attached to back of light box frame.

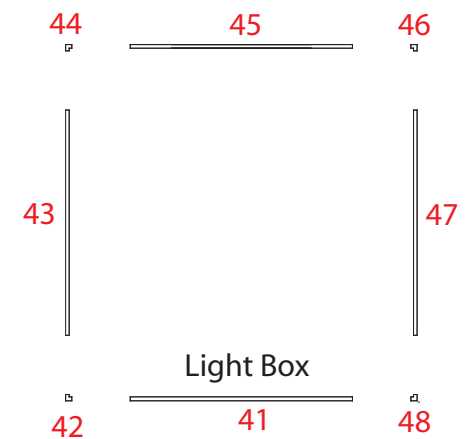
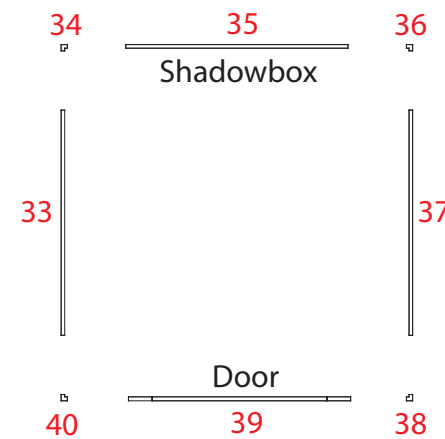
Step 2: Place light bars on velcro strips. Please note as every graphic is different some position adjustment may need to be made for optimum results.

Step 3: Using magnetic tape place graphic onto inside flange of frame.

**1-Piece Shadowbox w/ door and lock**

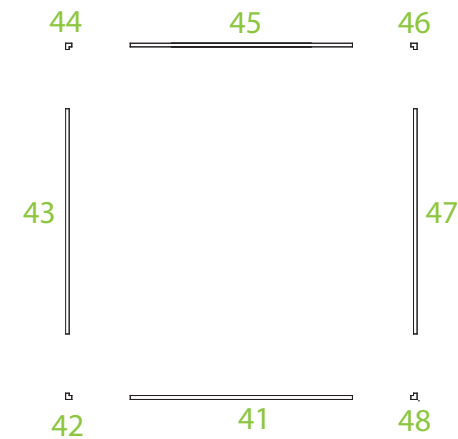
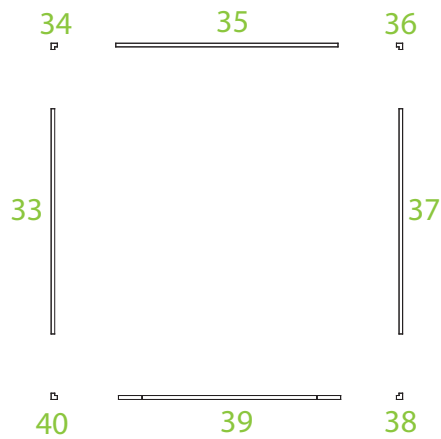
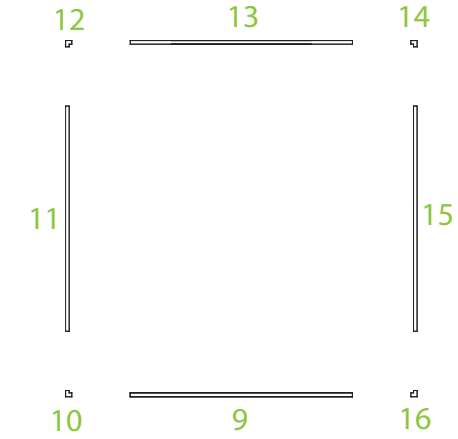
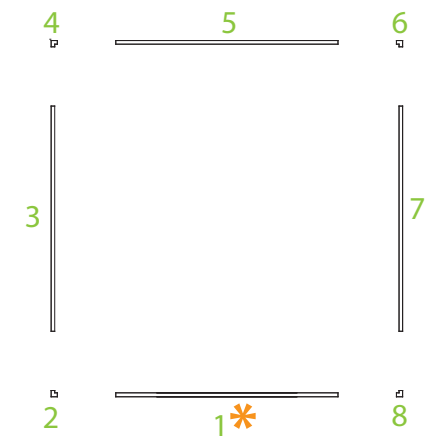


33	38" w x 47.5" h Flat Panel
34	47.5" h 90° Connector
35	38" w x 47.5" h 1-Piece Shadowbox w/ door and lock
36	47.5" h 90° Connector
37	38" w x 47.5" h Flat Panel
38	47.5" h 90° Connector
39	47.5" h Upper Conference Door
40	47.5" h 90° Connector
41	38" w x 47.5" h Light Box
42	47.5" h 90° Connector
43	38" w x 47.5" h Flat Panel
44	47.5" h 90° Connector
45	38" w x 47.5" h Flat Panel
46	47.5" h 90° Connector
47	38" w x 47.5" h Flat Panel
48	47.5" h 90° Connector

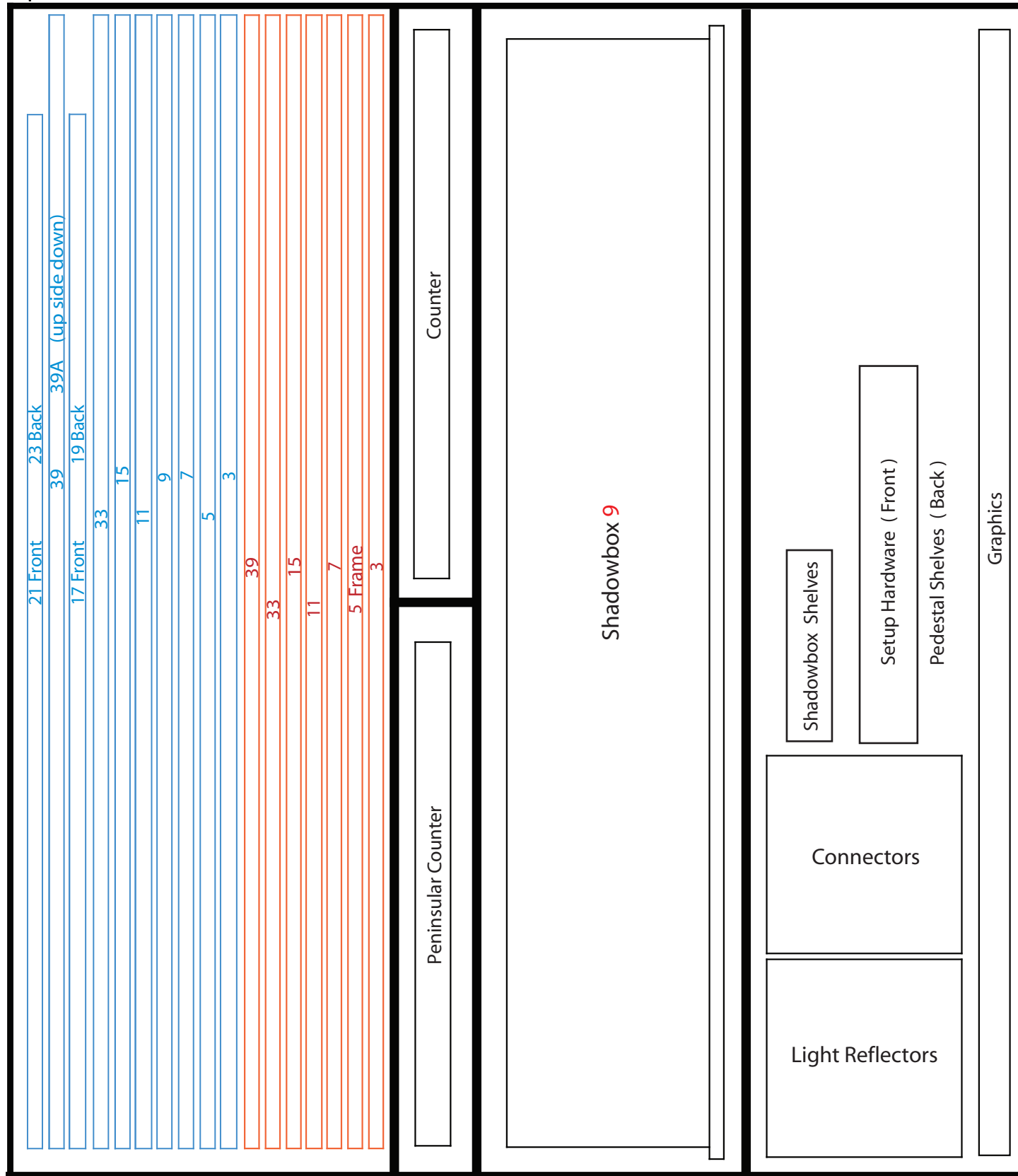


Item Number	Description
1	38" w x 47.5" h Flat Panel
2	47.5" h 90° Connector
3	38" w x 47.5" h Flat Panel
4	47.5" h 90° Connector
5	38" w x 47.5" h Flat Panel
6	47.5" h 90° Connector
7	38" w x 47.5" h Flat Panel
8	47.5" h 90° Connector
9	38" w x 47.5" h Flat Panel
10	47.5" h 90° Connector
11	38" w x 47.5" h Flat Panel
12	47.5" h 90° Connector
13	38" w x 47.5" h Flat Panel
14	47.5" h 90° Connector
15	38" w x 47.5" h Flat Panel
16	47.5" h 90° Connector
33	38" w x 47.5" h Flat Panel
34	47.5" h 90° Connector
35	38" w x 47.5" h Flat Panel
36	47.5" h 90° Connector
37	38" w x 47.5" h Flat Panel
38	47.5" h 90° Connector
39	38" w x 47.5" h Flat Panel
40	47.5" h 90° Connector
41	38" w x 47.5" h Flat Panel
42	47.5" h 90° Connector
43	38" w x 47.5" h Flat Panel
44	47.5" h 90° Connector
45	38" w x 47.5" h Flat Panel
46	47.5" h 90° Connector
47	38" w x 47.5" h Flat Panel
48	47.5" h 90° Connector

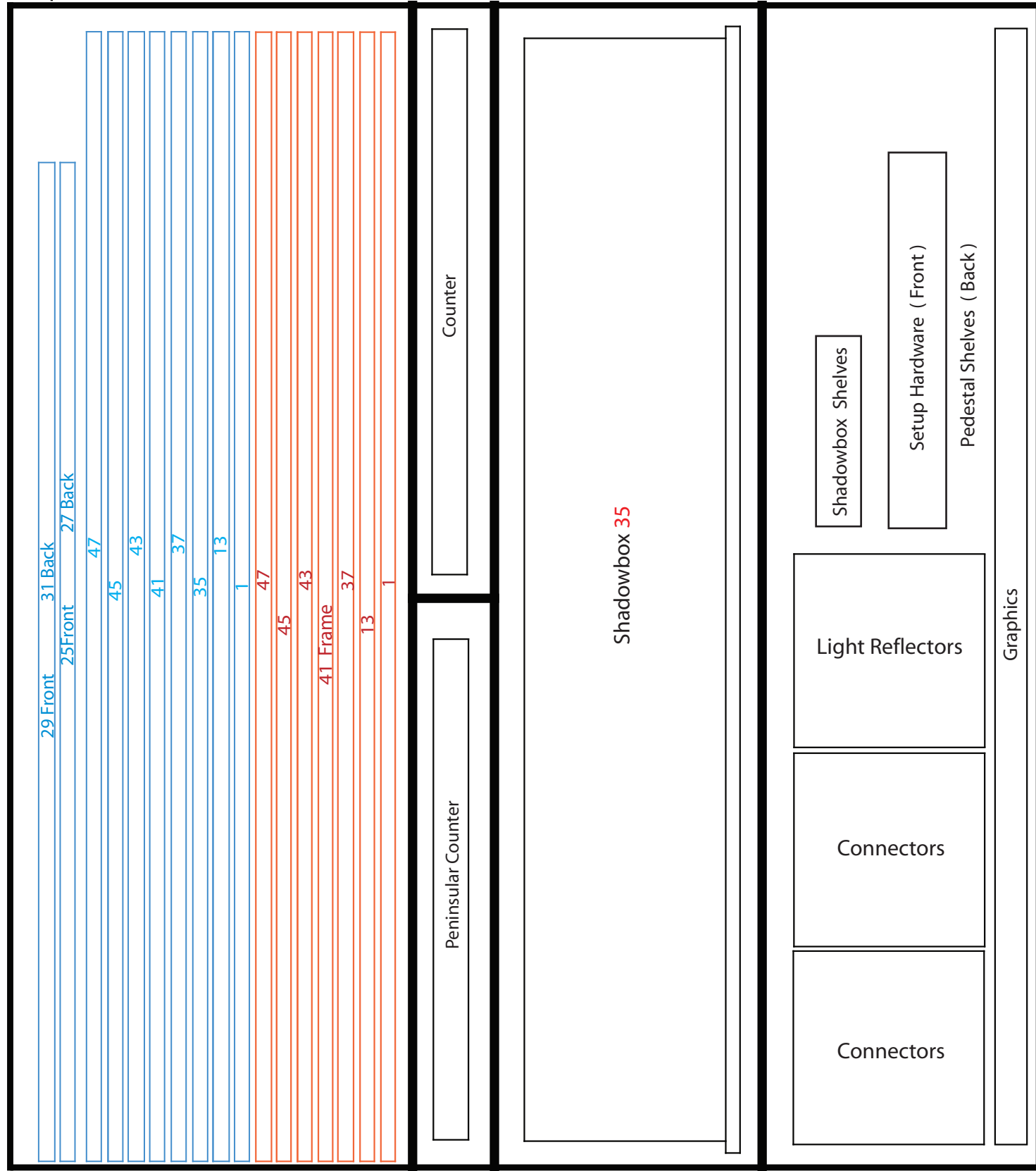
Steps:  
 1) Assemble by starting at panel #1\* and continue in numerical order.





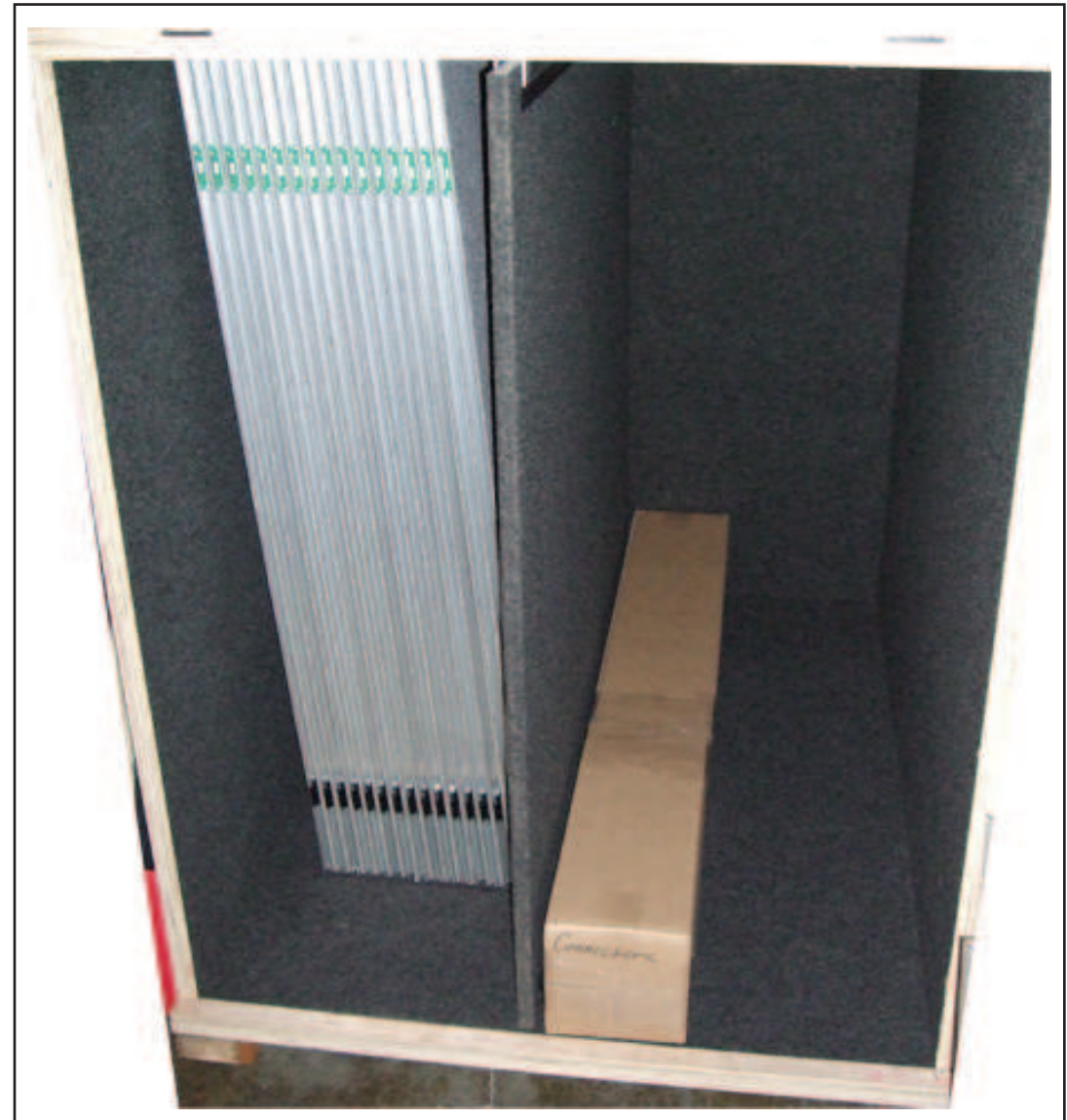
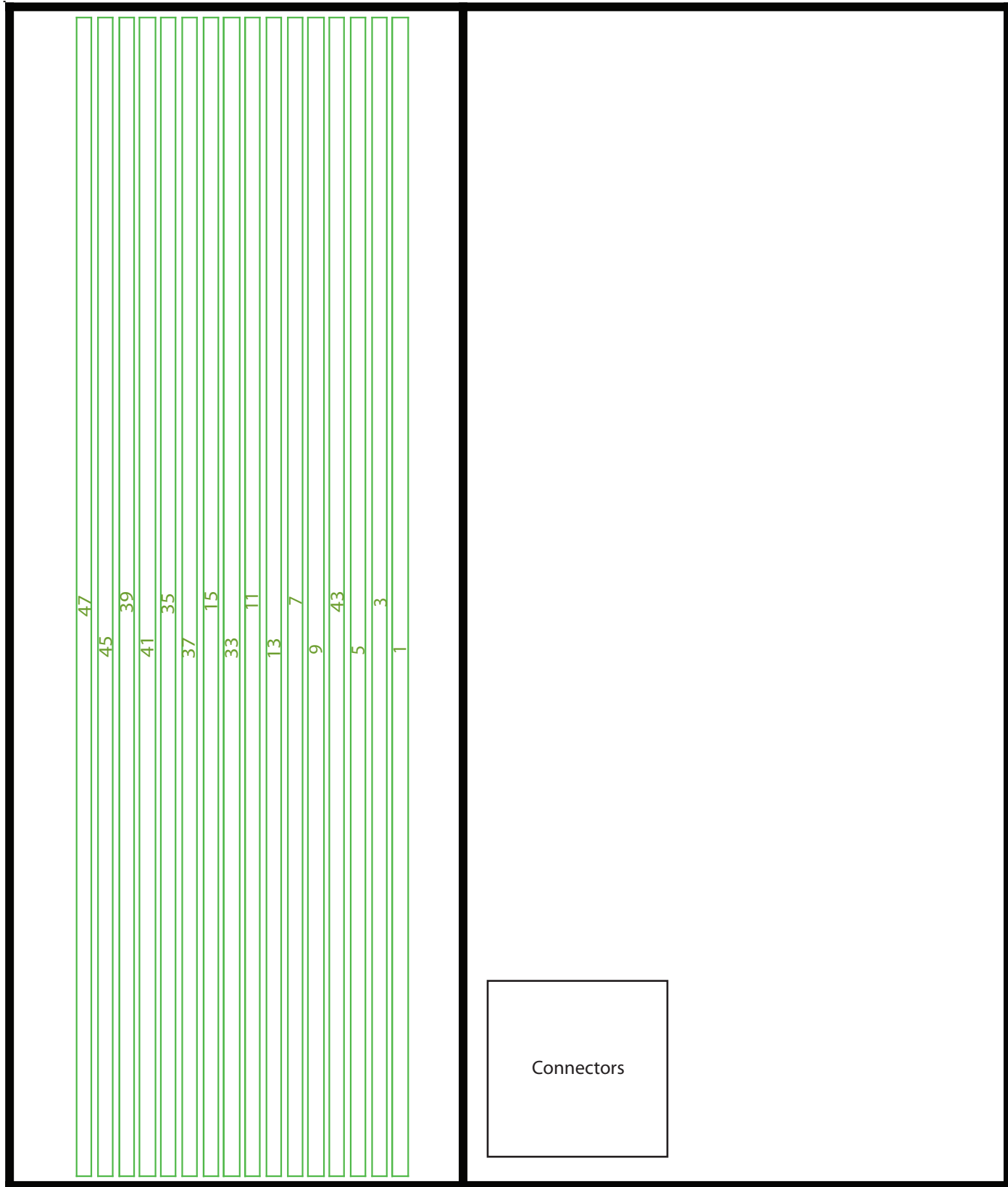


Crate Front View



(6) Halogen Light Boxes

Crate Front View



Crate Front View

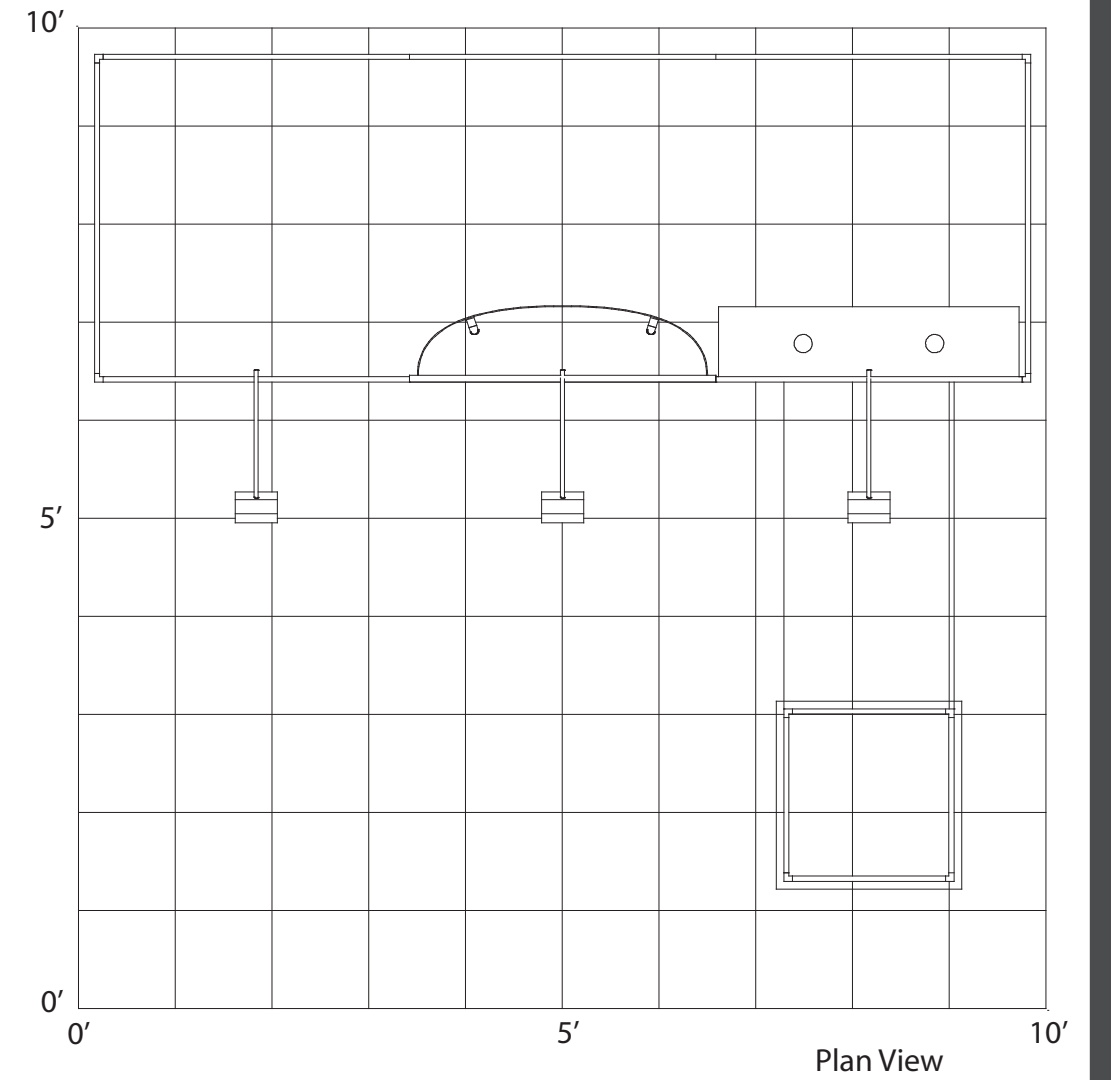
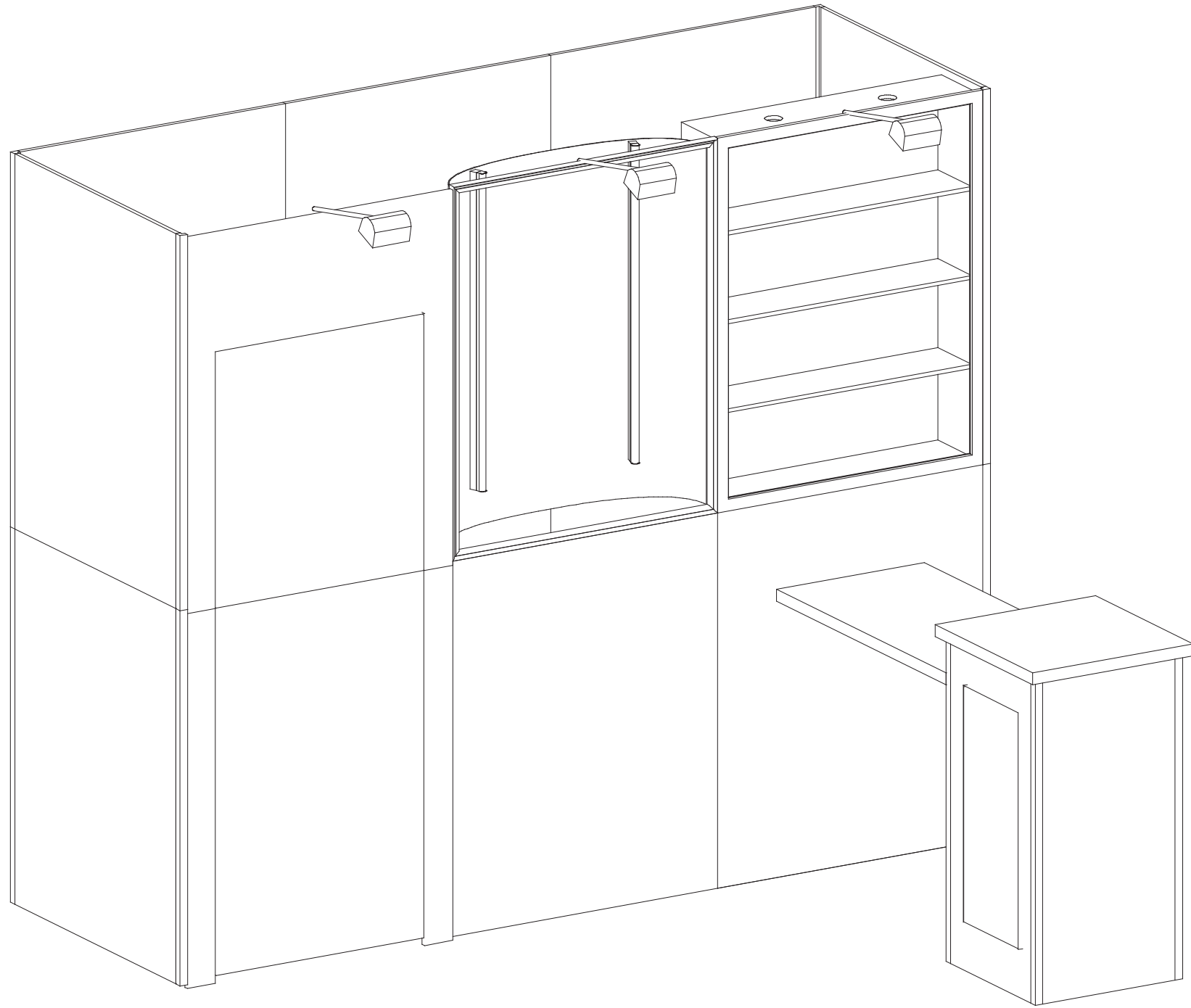
**NOTE :**

PDF copies of your Setup Instructions are available @ [classicexhibits.com](http://classicexhibits.com)  
See the search tool on the lower left hand corner of the Home page.

Enter the 5 digit Order #.

Search for Setup Instructions

# euro It



# euro lt | HYBRIDS

## Euro LT Hybrids General Setup Instructions

### Using Your Setup Instructions

The Euro LT Hybrids Setup Instructions are created specifically for your configuration. They are laid out sequentially in levels, including exploded views, and a logical series of detailed steps to assemble the main structure and components. We encourage you to study the instructions **before** attempting to assemble your exhibit.

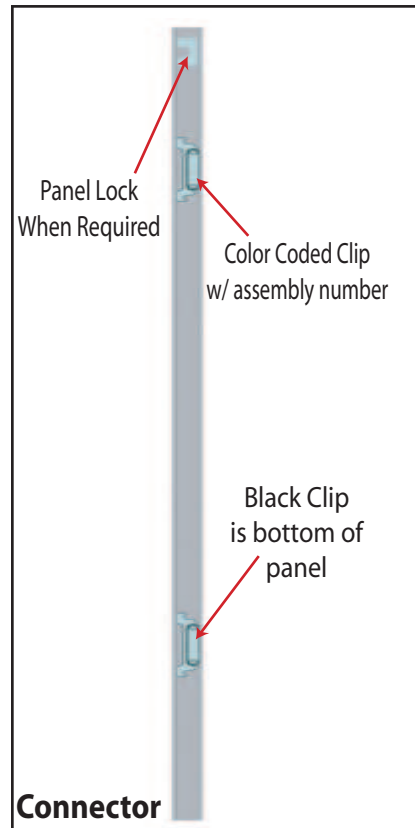
### Cleaning and Packing Your Display

- 1) When cleaning laminate countertops or panels use mild cleansers and a soft material such as cotton.
- 2) Keep all display components away from extreme heat and long exposure to sunlight to avoid warping and fading.
- 3) Retain all packing material. It will make re-packing much easier and will reduce the likelihood of shipping damage.

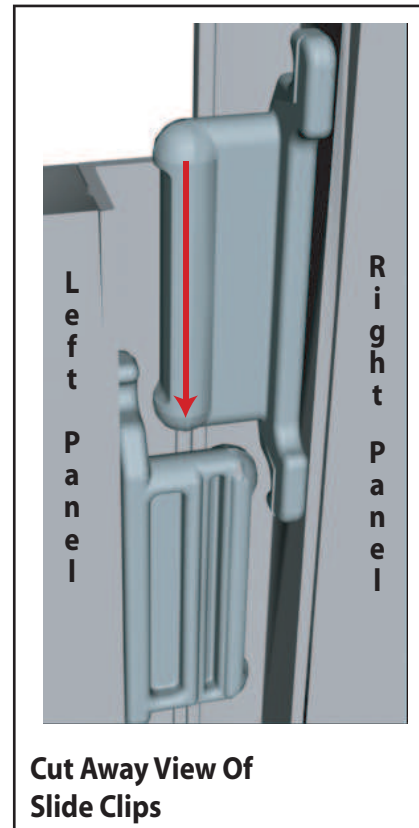
Level 1 = Blue  
 Level 2 = Red  
 Level 3 = Green  
 Level 4 = Black

#### Color Code

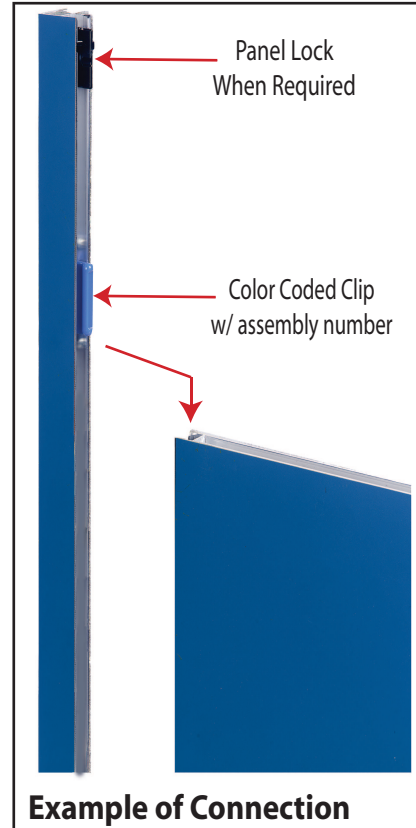
The top clip is color coded to distinguish the level. The color coded clip also contains the numbered label



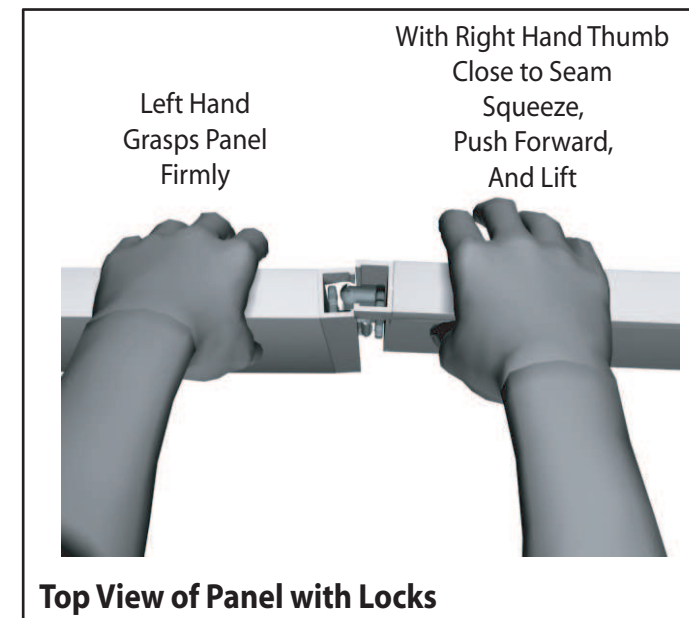
Each component has 2 clips, the lower clip is ALWAYS black..



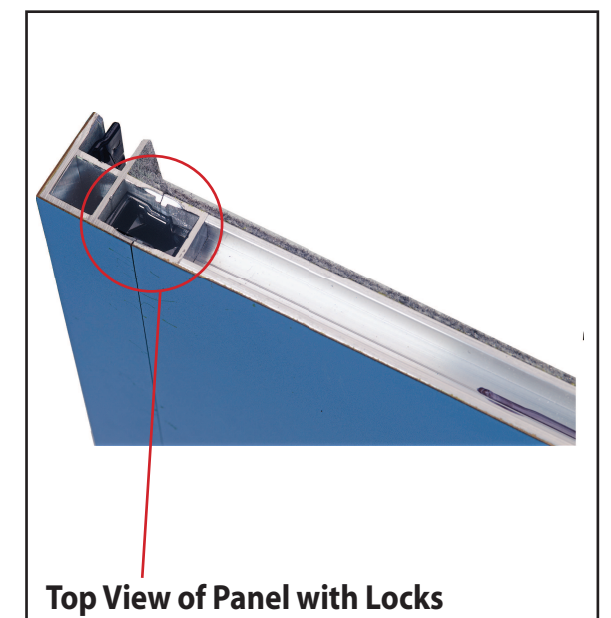
Components connect together by aligning them and sliding downward connecting clips together.



Configurations are assembled from left to right, usually starting with #1 and following the numbered sequence.



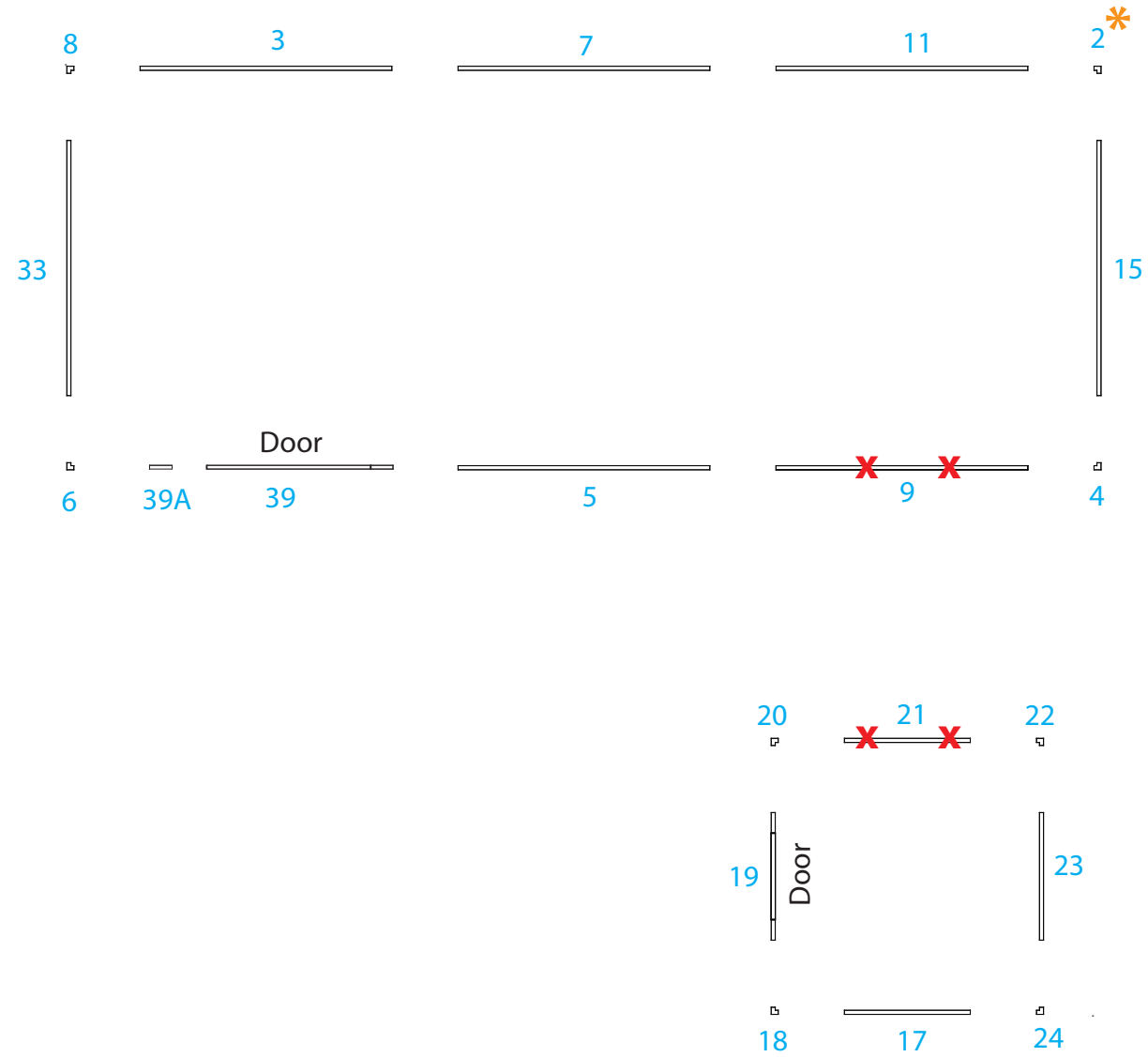
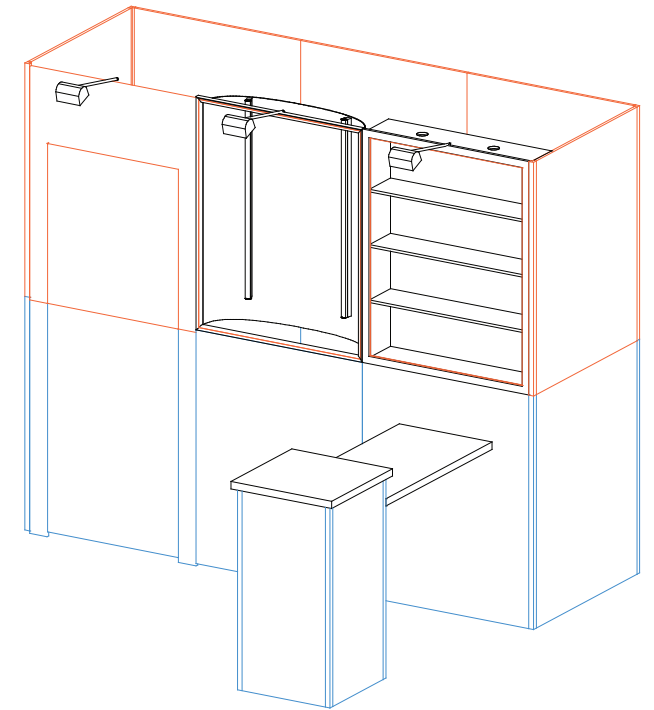
The first level of components contains panel locks that are located at the top of the panel for extra stability and a seamless connection. When disassembling panels, twist top connection slightly and lift right panel upward.



866.652.2100

Item Number	Description
2	47.5"h 90° Connector
3	38"w x 47.5"h Flat Panel
4	47.5"h 90° Connector
5	38"w x 47.5"h Flat Panel
6	47.5"h 90° Connector
7	38"w x 47.5"h Flat Panel
8	47.5"h 90° Connector
9	38"w x 47.5"h Flat Panel w/ Counter Attachment
11	38"w x 47.5"h Flat Panel
15	38"w x 47.5"h Flat Panel
39	47.5"h Lower Conference Door
39A	47.5"h Door Stopper
17	19"w x 42"h Flat Panel
18	42"h 90° Connector
19	19"w x 42"h Flat Panel w/ Door
20	42"h 90° Connector
21	19"w x 42"h Flat Panel w/ Counter Attachment
22	42"h 90° Connector
23	19"w x 42"h Flat Panel
24	42"h 90° Connector
25	38"w x 47.5"h Flat Panel

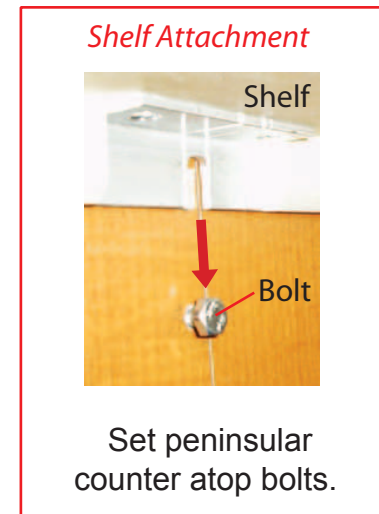
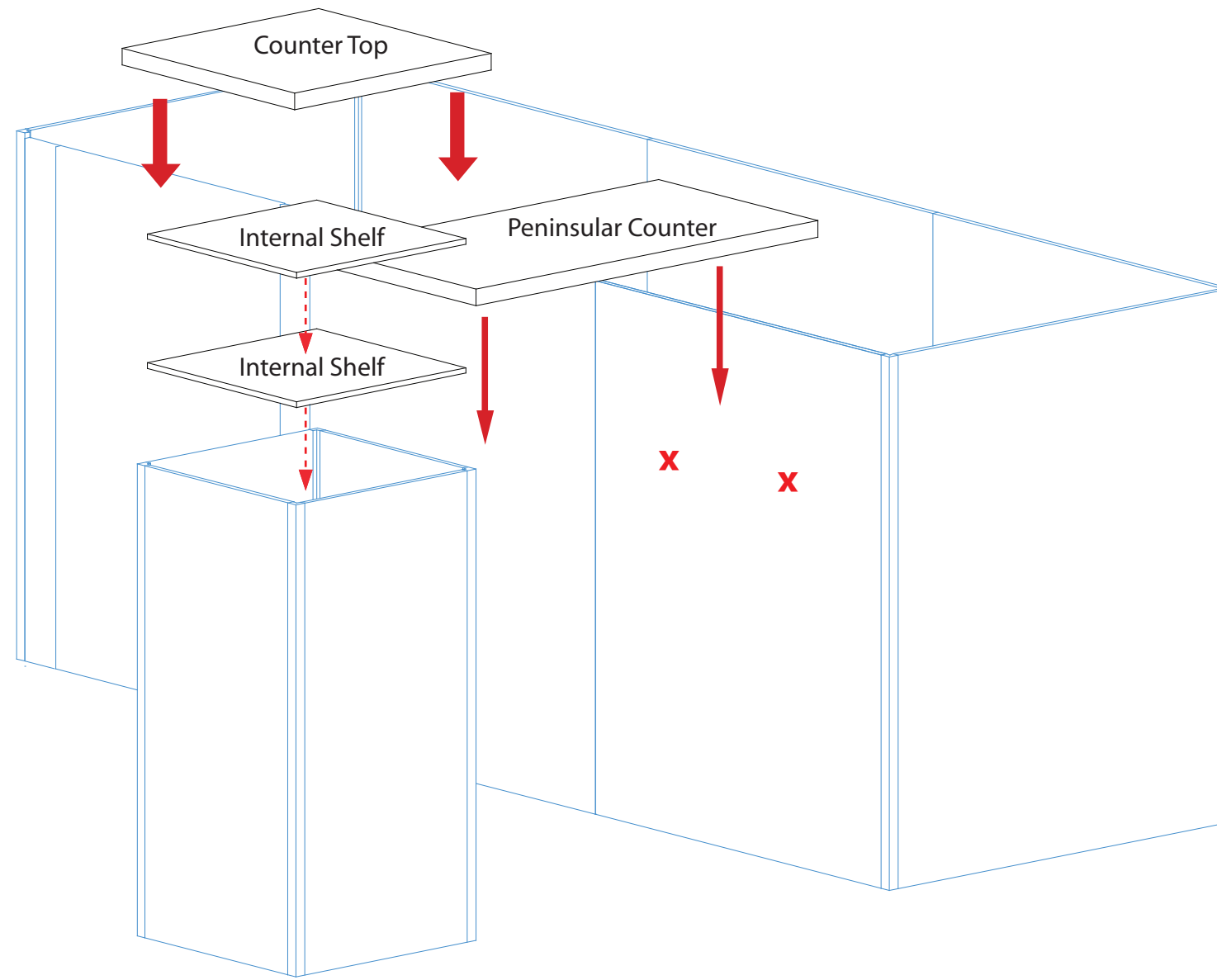
Steps:  
1) Assemble by starting at panel # 2 \*



X = Bolt Location

Steps:

- 1) First Level Internal Shelf: Velcro shelf supports inside assembled base, then set shelf atop supports.
- 2) Second Level Internal Shelf: Velcro shelf supports inside assembled base, then set shelf atop supports.
- 3) Set peninsular counter atop bolts located on panels [ 9 and 21 ].
- 4) Place counter atop assembled base as shown.

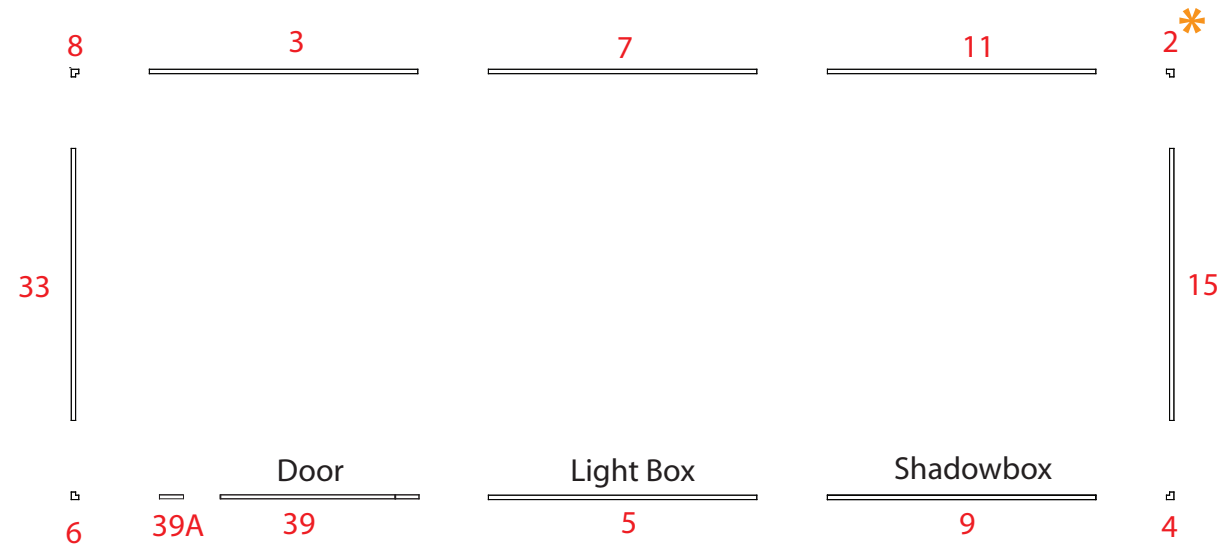
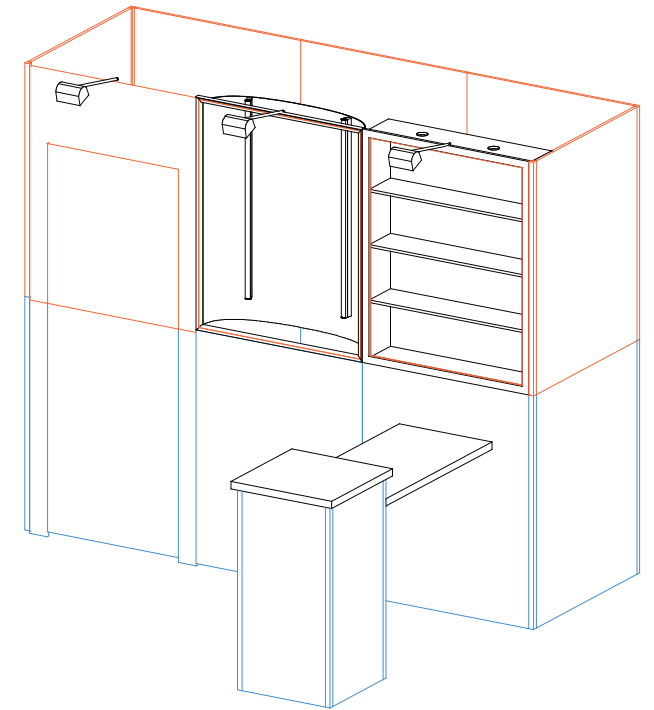


**X** = Bolt Location

866.652.2100

Item Number	Description
2	47.5" h 90° Connector
3	38" w x 47.5" h Flat Panel
4	47.5" h 90° Connector
5	38" w x 47.5" h Flat Panel w/ Light Box
6	47.5" h 90° Connector
7	38" w x 47.5" h Flat Panel
8	47.5" h 90° Connector
9	38" w x 47.5" h 1-Piece Shadowbox w/ Door and Lock
11	38" w x 47.5" h Flat Panel
15	38" w x 47.5" h Flat Panel
39	47.5" h Upper Conference Door
39A	47.5" h Door Stopper

Steps:  
1) Assemble by starting at panel # 2 \*



**Light Box Assembly**

Step 1: Making sure that velcro is facing to the front of the booth bend reflector and attach hinged portion to velcro attached to back of light box frame.

Step 2: Place light bars on velcro strips. Please note as every graphic is different some position adjustment may need to be made for optimum results.

Step 3: Using magnetic tape place graphic onto inside flange of frame.

**Light Attachment**

360° adjustable light

Attach lights to top of panels where desired and tighten in place.

**NOTE :**

PDF copies of your Setup Instructions are available @ [classicexhibits.com](http://classicexhibits.com)  
See the search tool on the lower left hand corner of the Home page.

Enter the 5 digit Order #. Search for Setup Instructions