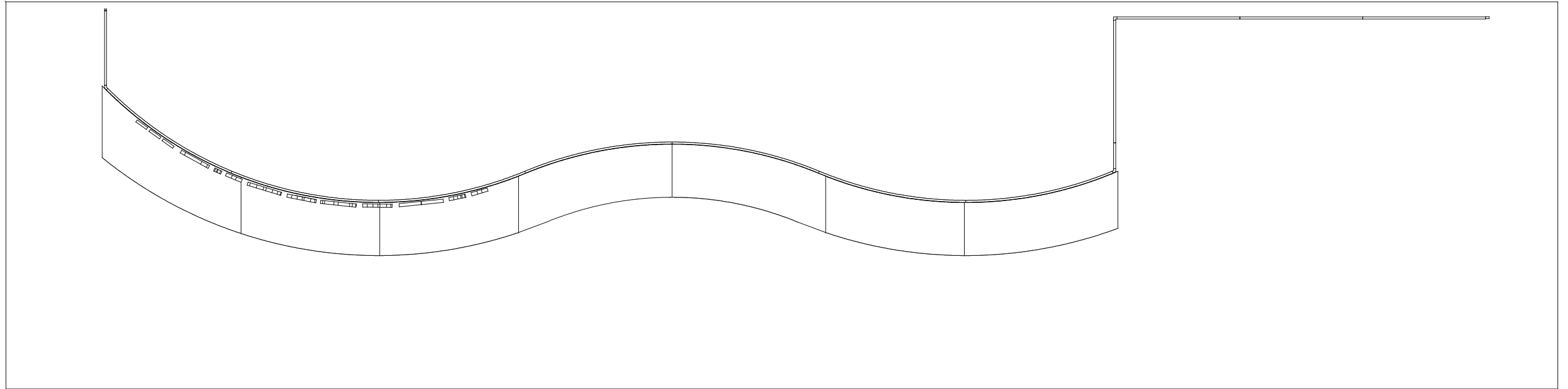
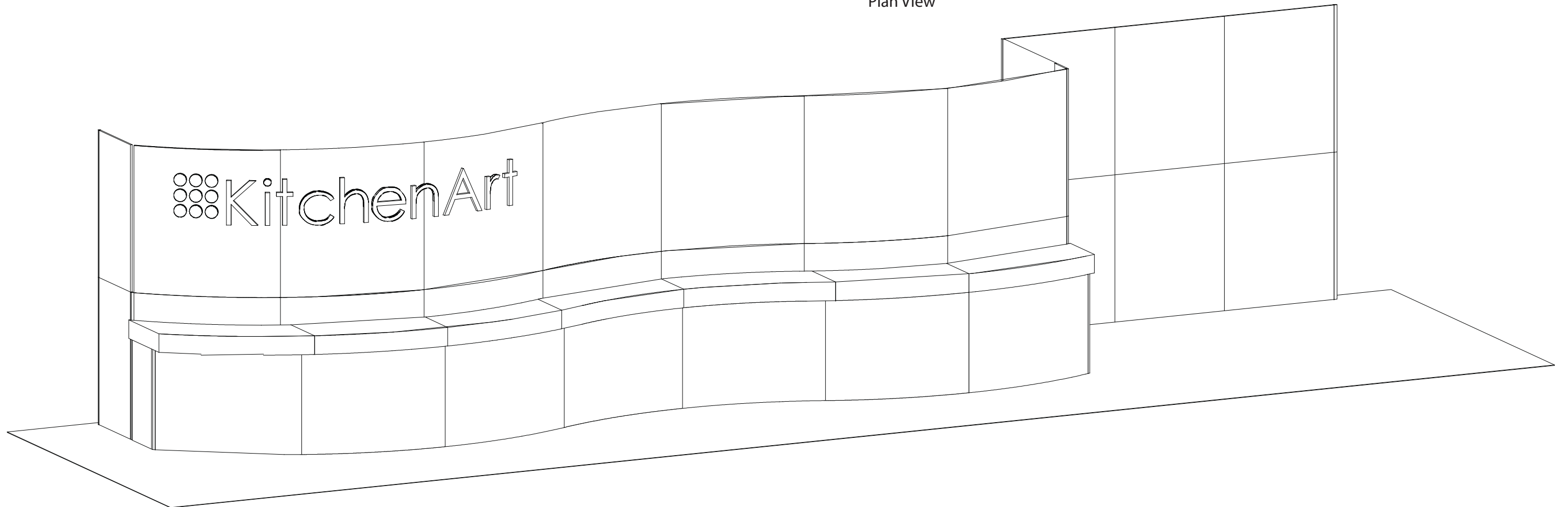


euro It



Plan View



euro It | HYBRIDS

Euro LT Hybrids General Setup Instructions

Using Your Setup Instructions

The Euro LT Hybrids Setup Instructions are created specifically for your configuration. They are laid out sequentially in levels, including exploded views, and a logical series of detailed steps to assemble the main structure and components. We encourage you to study the instructions **before** attempting to assemble your exhibit.

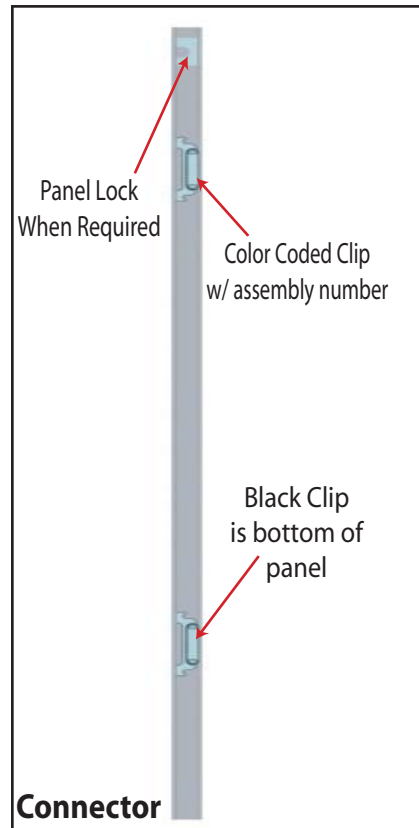
Cleaning and Packing Your Display

- 1) When cleaning laminate countertops or panels use mild cleansers and a soft material such as cotton.
- 2) Keep all display components away from extreme heat and long exposure to sunlight to avoid warping and fading.
- 3) Retain all packing material. It will make re-packing much easier and will reduce the likelihood of shipping damage.

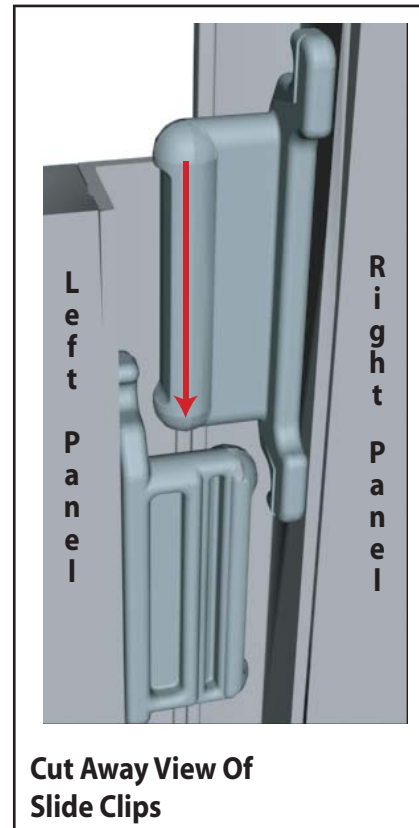
Level 1 = Blue
 Level 2 = Red
 Level 3 = Green
 Level 4 = Black

Color Code

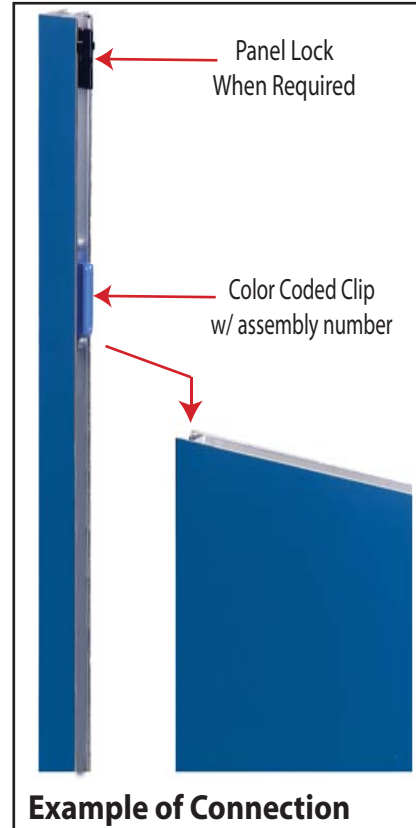
The top clip is color coded to distinguish the level. The color coded clip also contains the numbered label



Each component has 2 clips, the lower clip is ALWAYS black..



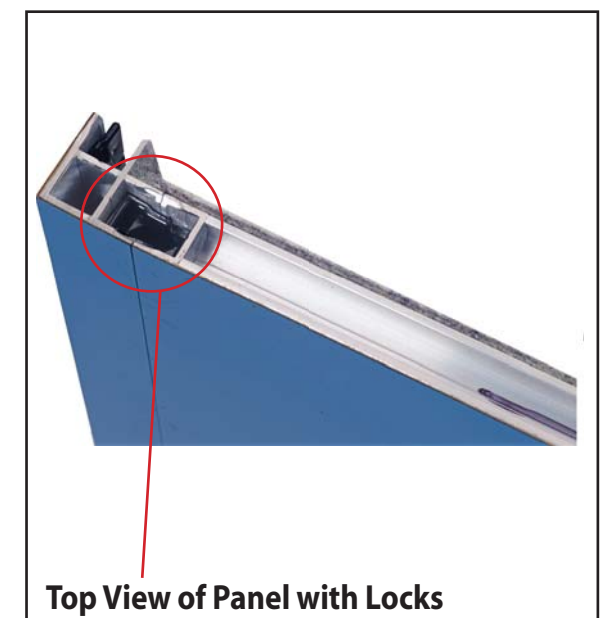
Components connect together by aligning them and sliding downward connecting clips together.



Configurations are assembled from left to right, usually starting with #1 and following the numbered sequence.



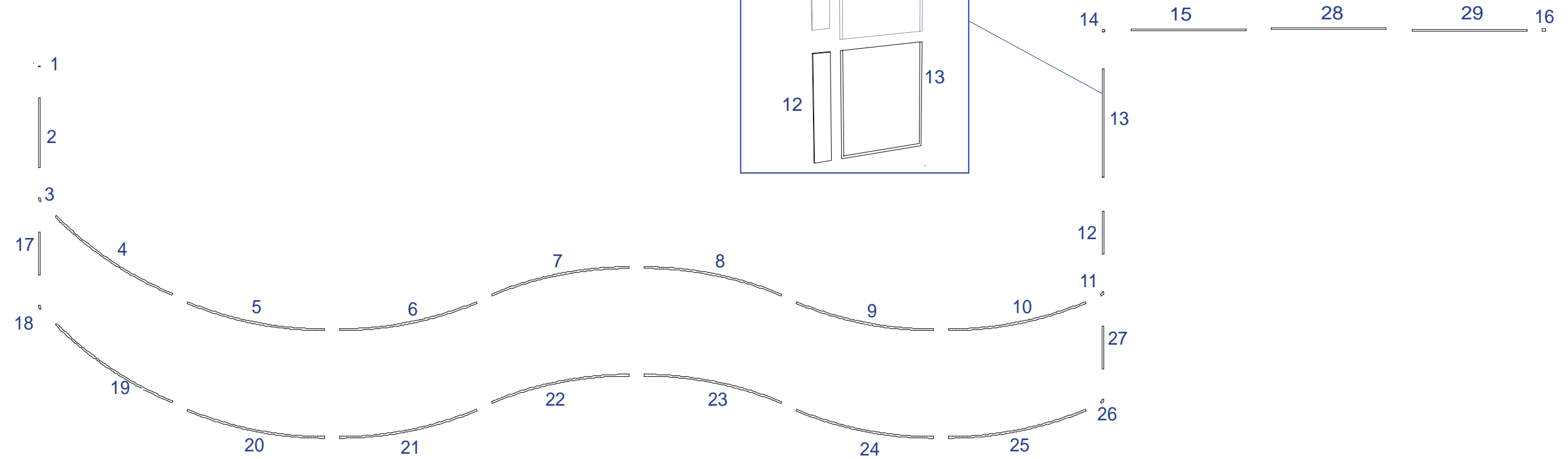
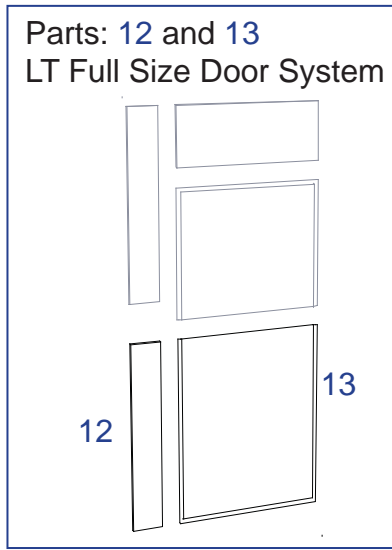
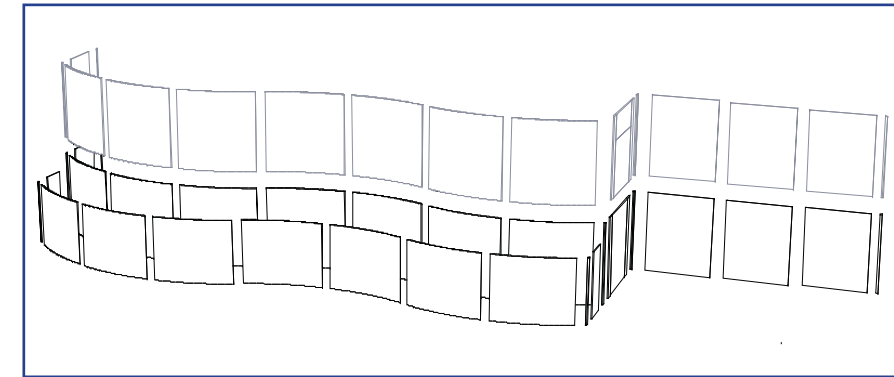
The first level of components contains panel locks that are located at the top of the panel for extra stability and a seamless connection. When disassembling panels, twist top connection slightly and lift right panel upward.



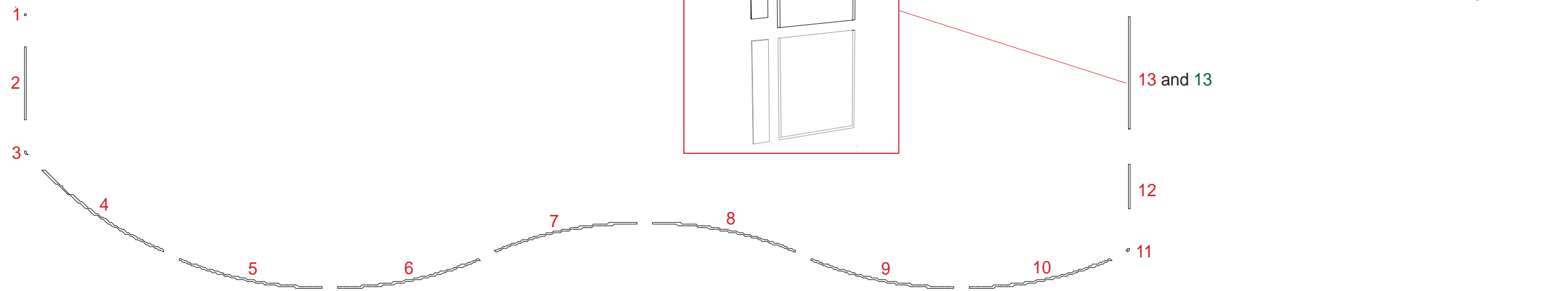
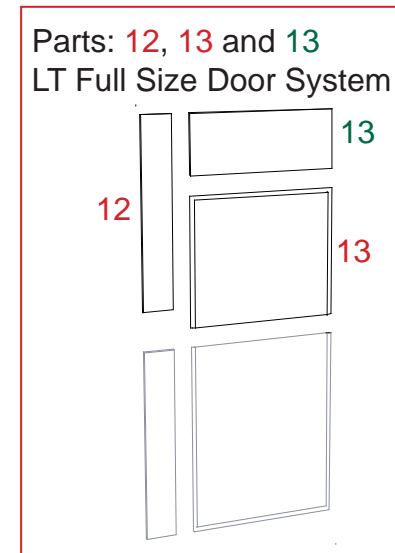
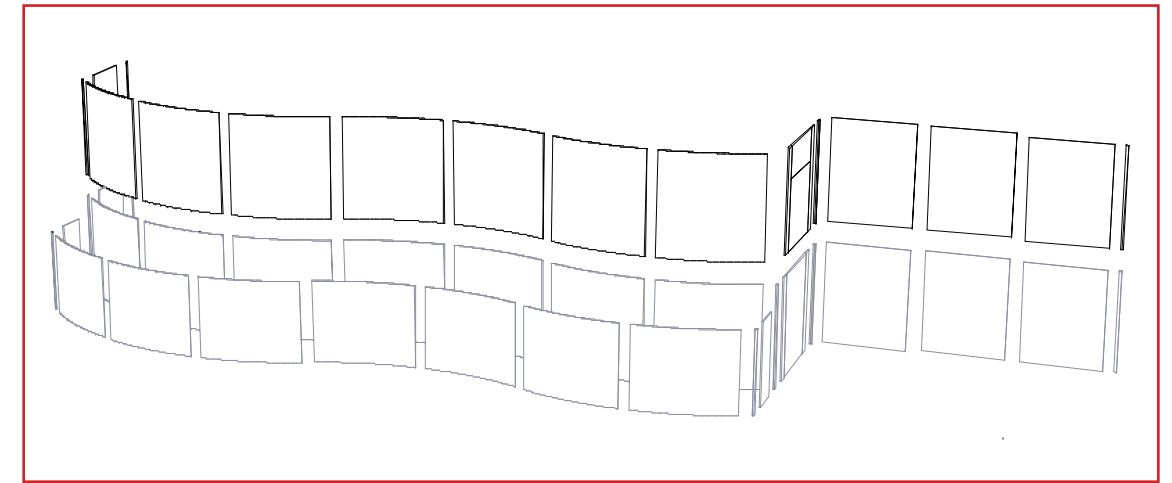
866.652.2100

Item Number	Description
1	47.5"h Square End Cap Connector
2	23"w x 47.5"h Flat Panel
3	47.5"h 135° Connector
4	10'r x 47.5"h Sixteenth Curve
5	10'r x 47.5"h Sixteenth Curve
6	10'r x 47.5"h Sixteenth Curve
7	10'r x 47.5"h Sixteenth Curve
8	10'r x 47.5"h Sixteenth Curve
9	10'r x 47.5"h Sixteenth Curve
10	10'r x 47.5"h Sixteenth Curve
11	47.5"h Flexible Connector
12	8"w x 47.5" Flat Panel
13	38"w x 47.5"h Lower half of Full size Door w/ Pull & Lock
14	47.5"h 90° Connector
15	38"w x 47.5"h Flat Panel
16	47.5"h Square End Cap Connector

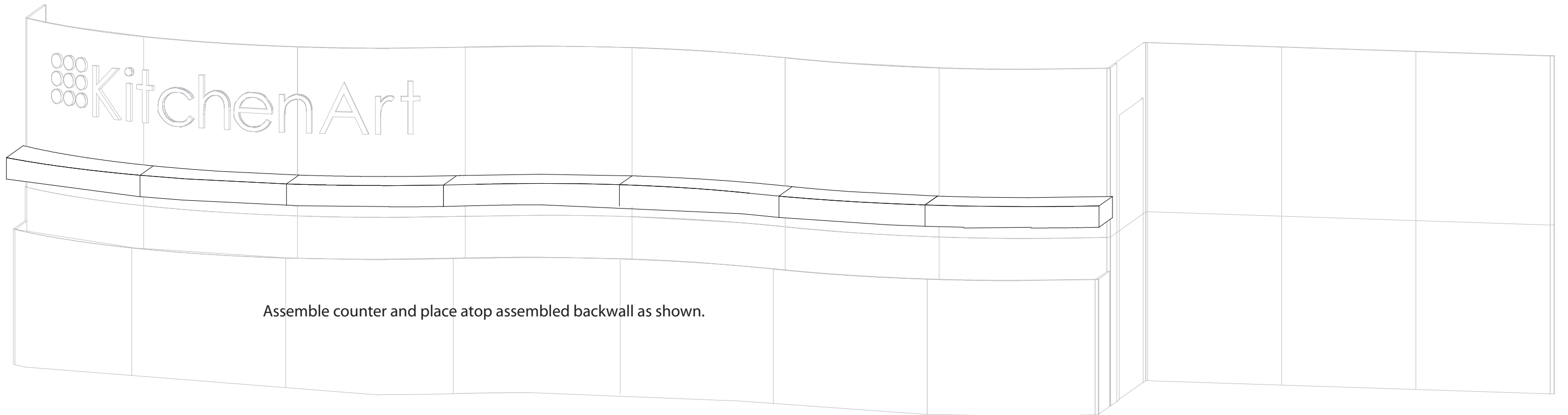
Item Number	Description
17	14.125"w x 38"h Flat Panel
18	38"h 135° Connector
19	10'r x 38"h Sixteenth Curve Door Panel
20	10'r x 38"h Sixteenth Curve
21	10'r x 38"h Sixteenth Curve Door Panel
22	10'r x 38"h Sixteenth Curve Door Panel
23	10'r x 38"h Sixteenth Curve
24	10'r x 38"h Sixteenth Curve Door Panel
25	10'r x 38"h Sixteenth Curve
26	38"h Flexible Connector
27	14.125"w x 38"h Flat Panel
28	38"w x 47.5"h Flat Panel
29	38"w x 47.5"h Flat Panel



Item Number	Description
1	47.5"h Square End Cap Connector
2	23"w x 47.5"h Flat Panel
3	47.5" 135° Connector
4	10'r x 47.5"h Sixteenth Curve
5	10'r x 47.5"h Sixteenth Curve
6	10'r x 47.5"h Sixteenth Curve
7	10'r x 47.5"h Sixteenth Curve
8	10'r x 47.5"h Sixteenth Curve
9	10'r x 47.5"h Sixteenth Curve
10	10'r x 47.5"h Sixteenth Curve
11	47.5"h Flexible Connector
12	8"w x 47.5" Flat Panel
13	38w" x 32.5"h Upper half of Full size Door w/ Pull & Lock
13	38"w x 15"h Header for Full size LT Door System
14	47.5"h 90° Connector
15	38"w x 47.5"h Flat Panel
16	47.5"h Square End Cap Connector
28	38"w x 47.5"h Flat Panel
29	38"w x 47.5"h Flat Panel



866.652.2100



Assemble counter and place atop assembled backwall as shown.

NOTE :

PDF copies of your Setup Instructions are available @ classicexhibits.com
See the search tool on the lower left hand corner of the Home page.

Enter the 5 digit Order #.

Search for Setup Instructions