

# euro lt | HYBRIDS

## Euro LT Hybrids General Setup Instructions

### Using Your Setup Instructions

The Euro LT Hybrids Setup Instructions are created specifically for your configuration. They are laid out sequentially in levels, including exploded views, and a logical series of detailed steps to assemble the main structure and components. We encourage you to study the instructions **before** attempting to assemble your exhibit.

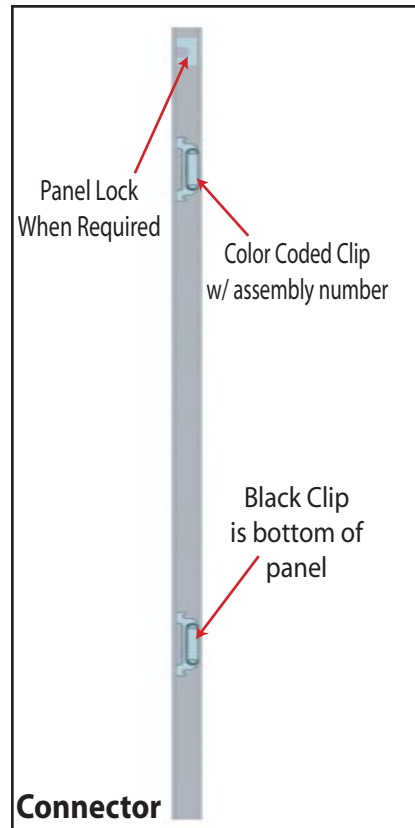
### Cleaning and Packing Your Display

- 1) When cleaning laminate countertops or panels use mild cleansers and a soft material such as cotton.
- 2) Keep all display components away from extreme heat and long exposure to sunlight to avoid warping and fading.
- 3) Retain all packing material. It will make re-packing much easier and will reduce the likelihood of shipping damage.

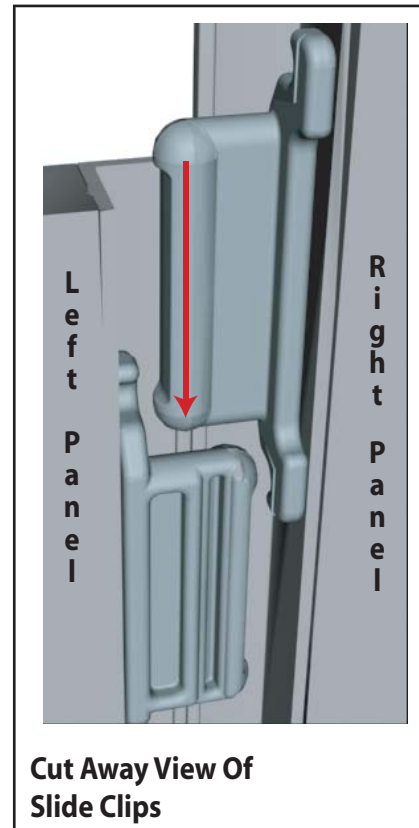
Level 1 = Blue  
 Level 2 = Red  
 Level 3 = Green  
 Level 4 = Black

#### Color Code

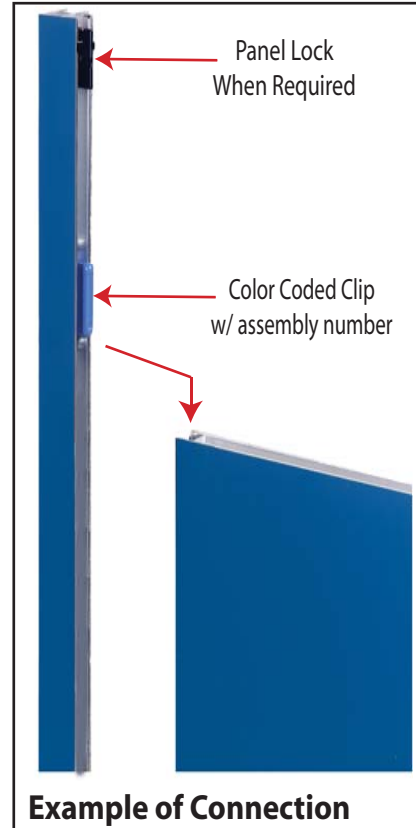
The top clip is color coded to distinguish the level. The color coded clip also contains the numbered label



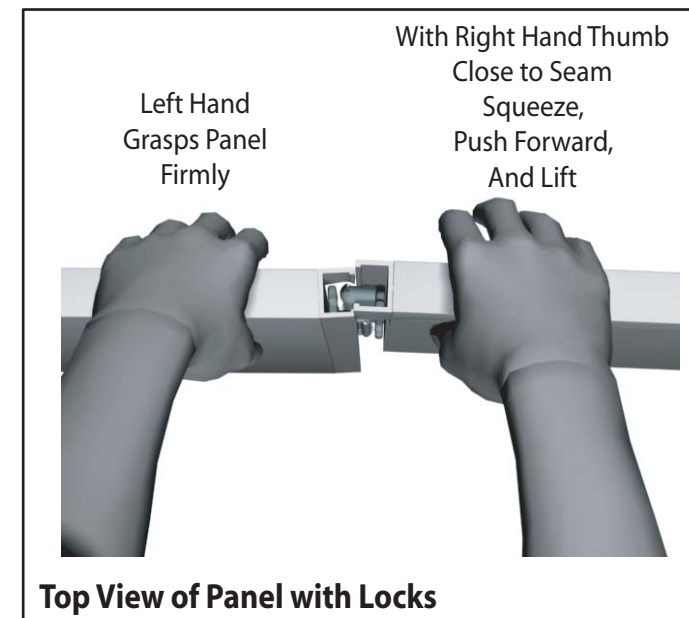
Each component has 2 clips, the lower clip is ALWAYS black..



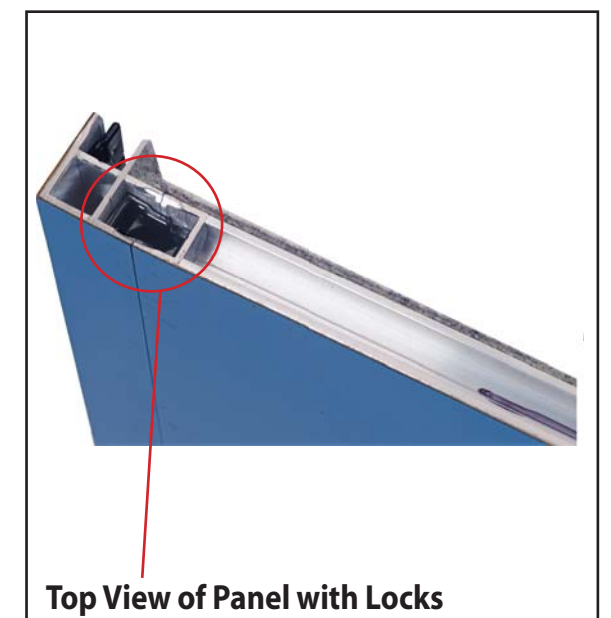
Components connect together by aligning them and sliding downward connecting clips together.



Configurations are assembled from left to right, usually starting with #1 and following the numbered sequence.



The first level of components contains panel locks that are located at the top of the panel for extra stability and a seamless connection. When disassembling panels, twist top connection slightly and lift right panel upward.

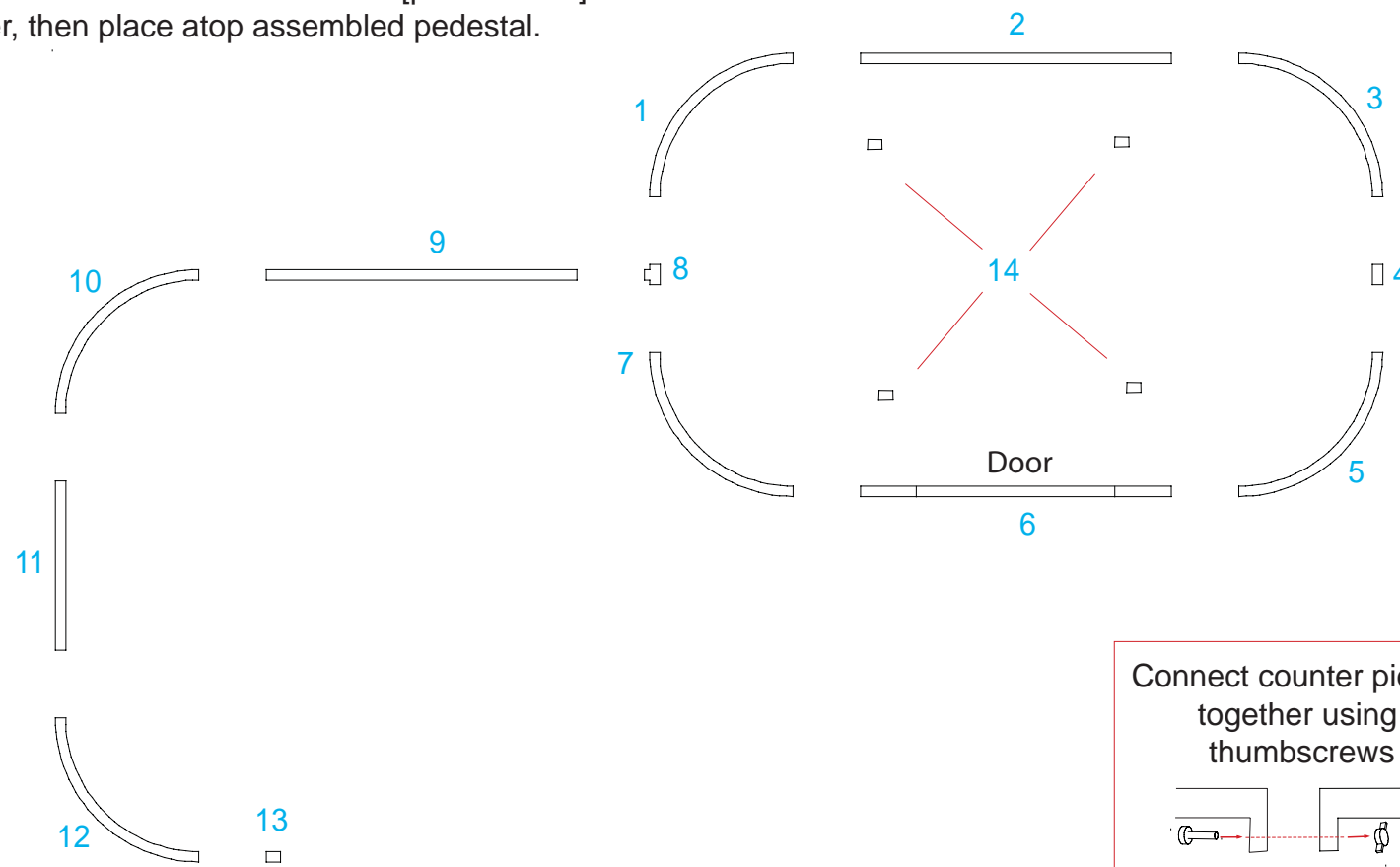


# euro It

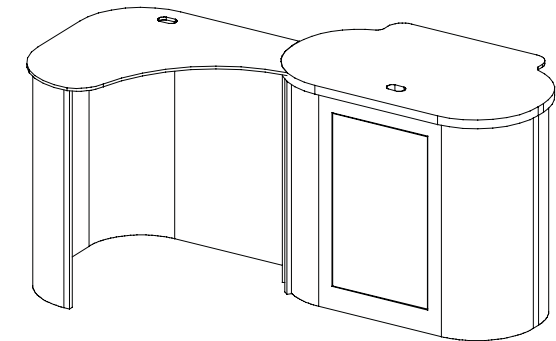
Item Number	Description
1	9.5"r x 38"h Quarter Curve Panel
2	23"w x 38"h Flat Panel
3	9.5"r x 38"h Quarter Curve Panel
4	38"h 180° Connector
5	9.5"r x 38"h Quarter Curve Panel
6	23"w x 38"h Flat Panel w/ Door
7	9.5"r x 38"h Quarter Curve Panel
8	38"h 3-way T Connector
9	23"w x 38"h Flat Panel
10	9.5"r x 38"h Curve Panel
11	14.125"w x 38"h Curve Panel
12	9.5"r x 38"h Curve Panel
13	38"h Square End Cap
14	Vertical Shelf Supports w/ Velcro

**Steps**

- 1) Connect panel 1 to panel 2, and continue in numerical order [parts: 1 - 14].
- 2) Connect counter pieces together, then place atop assembled pedestal.

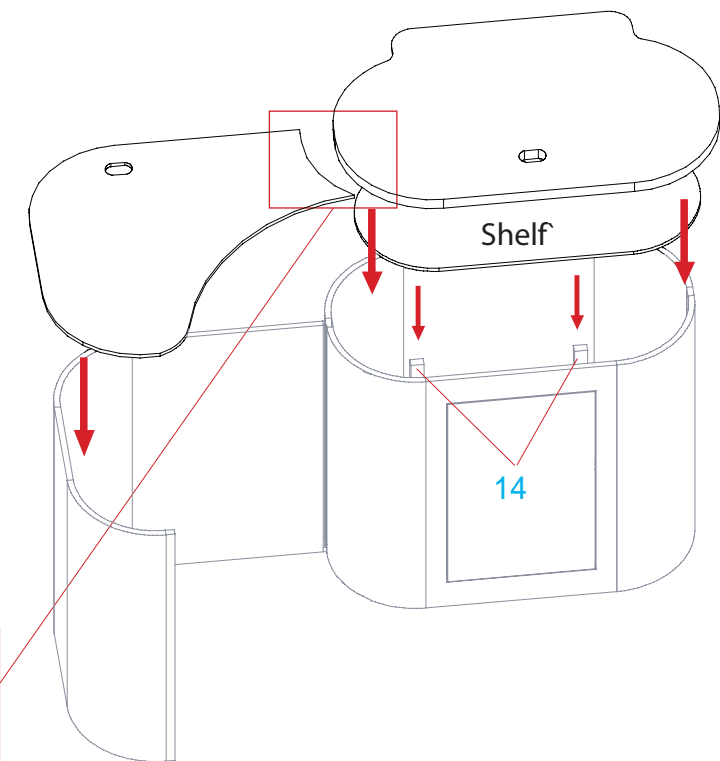


Connect counter pieces together using thumbscrews



**Kiosk # 1**

Place shelf on vertical supports 14, then set assembled counter atop assembled pedestal.

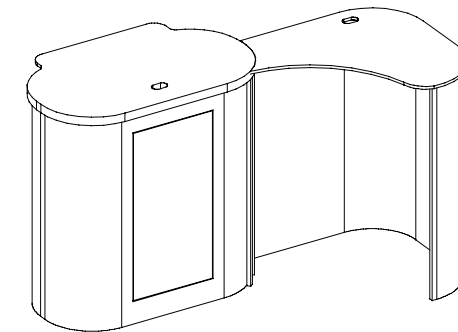
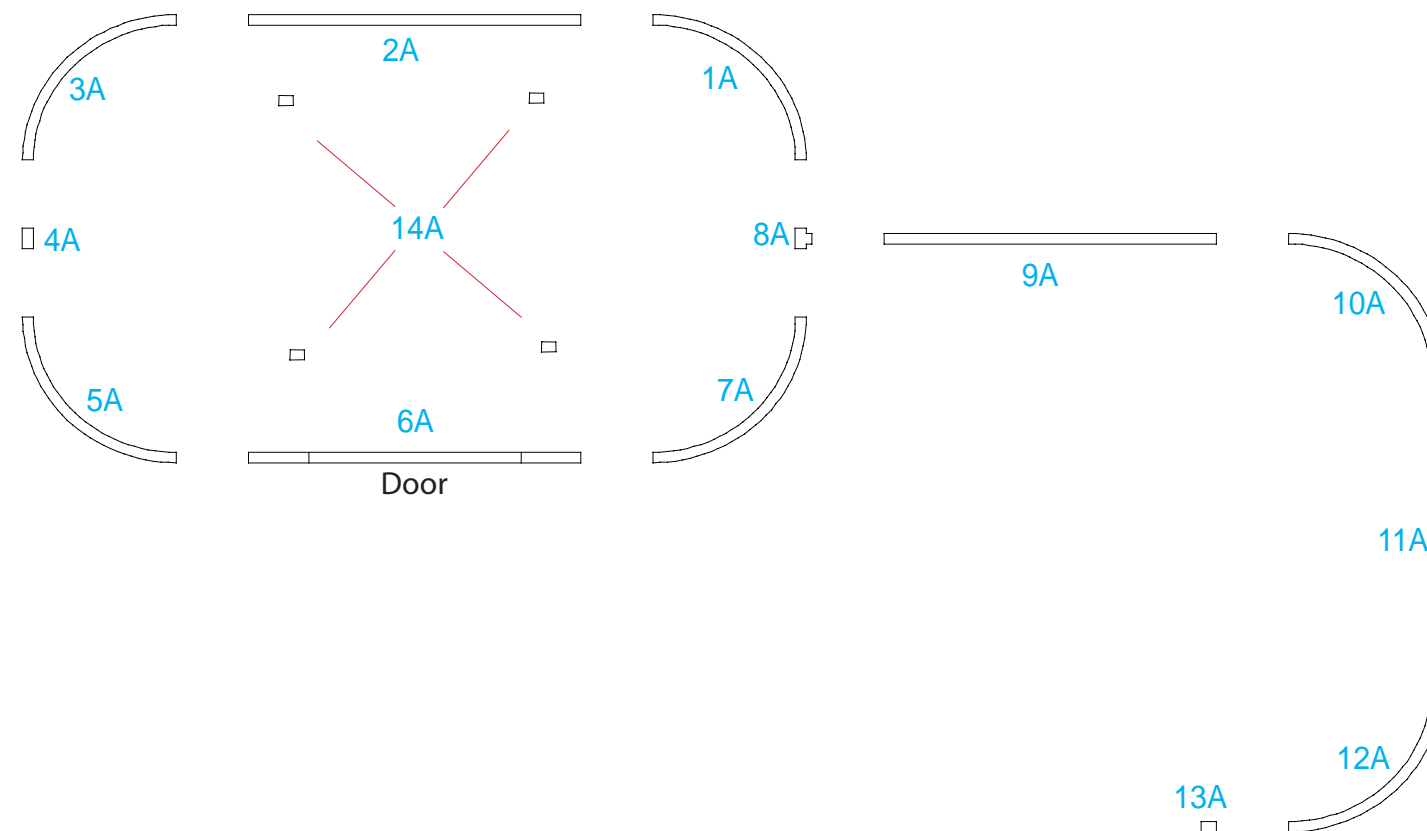


# euro It

Item Number	Description
1A	9.5"r x 38"h Quarter Curve Panel
2A	23"w x 38"h Flat Panel
3A	9.5"r x 38"h Quarter Curve Panel
4A	38"h 180° Connector
5A	9.5"r x 38"h Quarter Curve Panel
6A	23"w x 38"h Flat Panel w/ Door
7A	9.5"r x 38"h Quarter Curve Panel
8A	38"h 3-way T Connector
9A	23"w x 38"h Flat Panel
10A	9.5"r x 38"h Curve Panel
11A	14.125"w x 38"h Curve Panel
12A	9.5"r x 38"h Curve Panel
13A	38"h Square End Cap
14A	Vertical Shelf Supports w/ Velcro

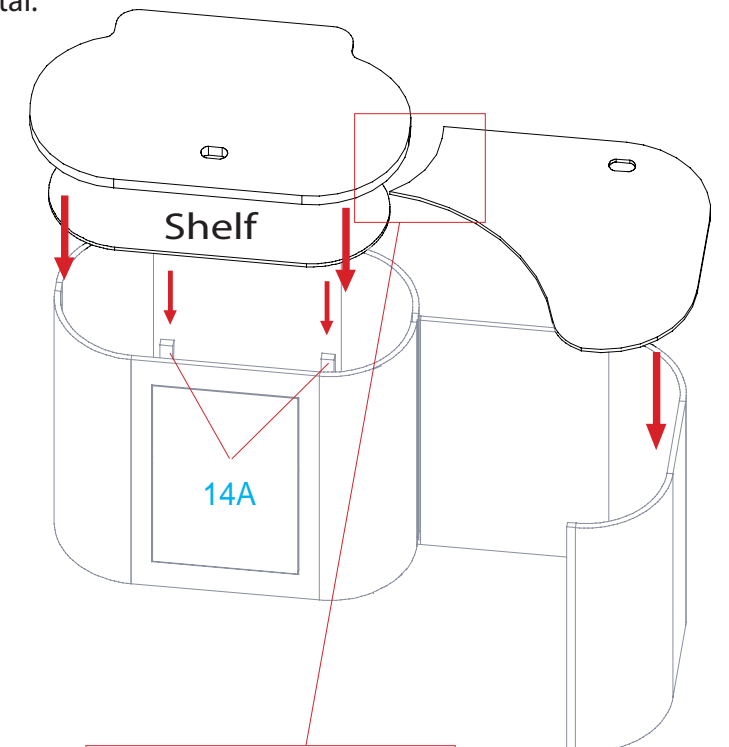
**Steps**

- 1) Connect panel 1 to panel 2, and continue in numerical order [parts: 1A - 14A].
- 2) Connect counter pieces together, then place atop assembled pedestal.



## Kiosk # 2

Place shelf on vertical supports 14, then set assembled counter atop assembled pedestal.



Connect counter pieces together using thumbscrews

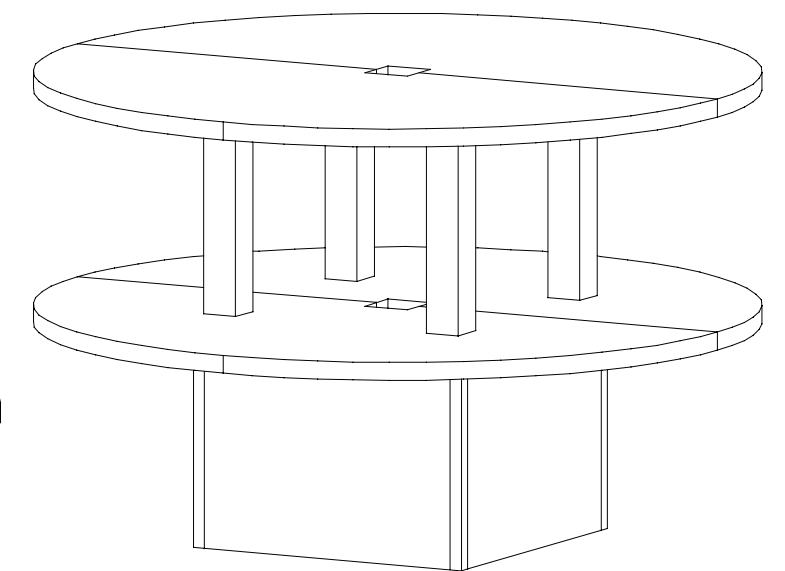
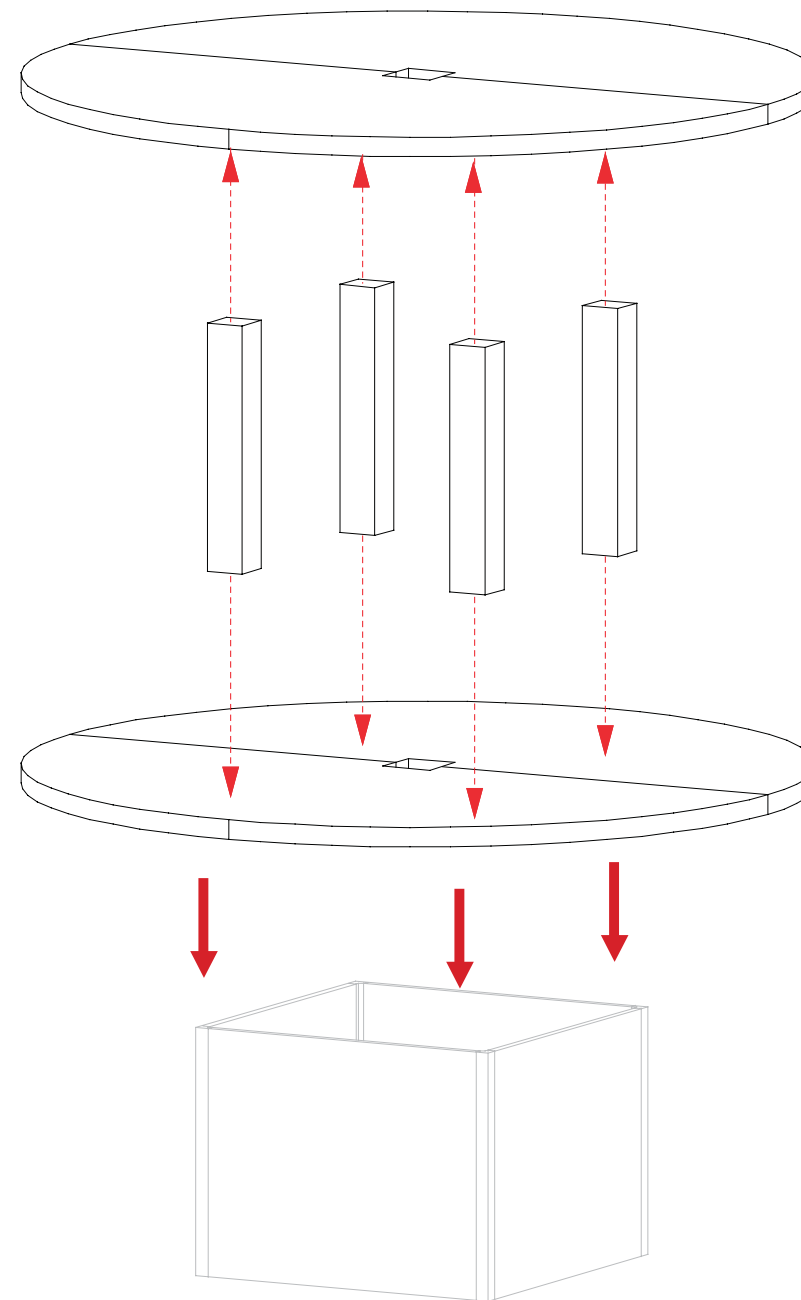
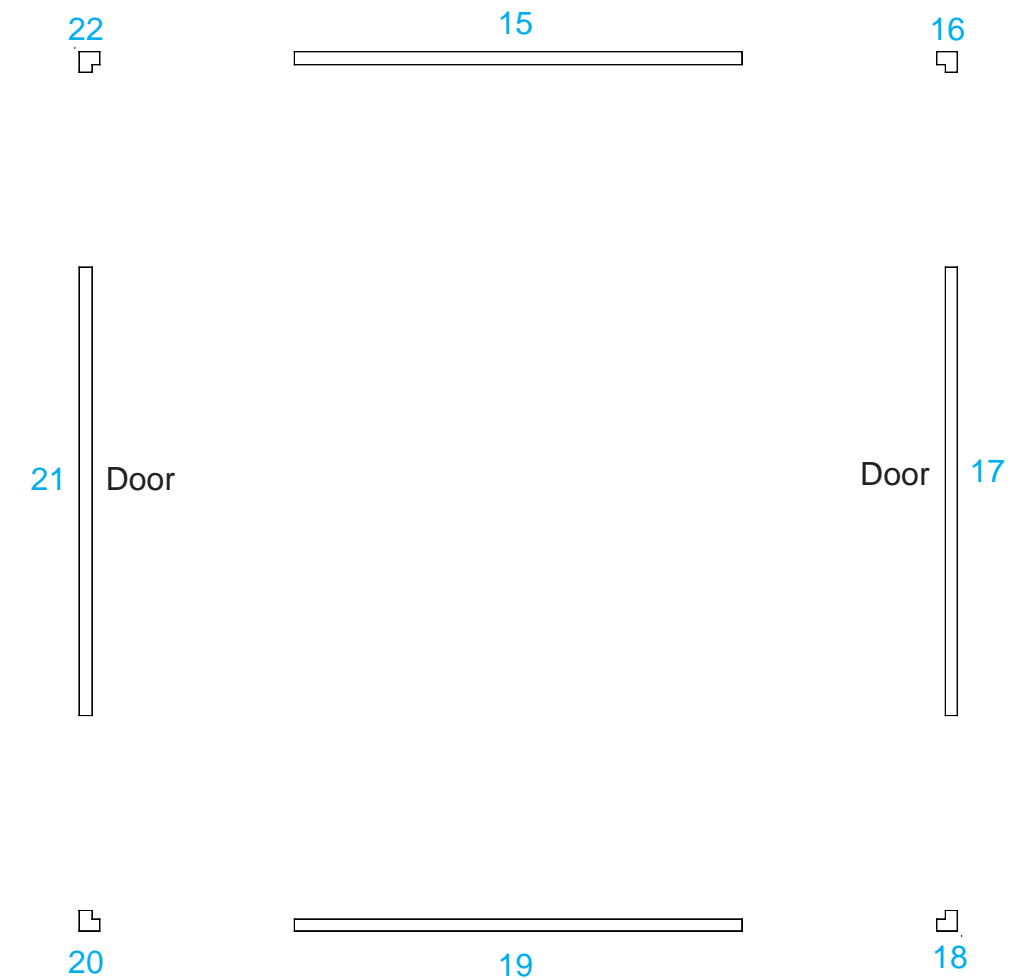
# euro It

Item Number	Description
15	23" w x 19" h Flat Panel
16	19" h 90° Connector
17	23" w x 19" h Flat Panel w/ Door
18	19" h 90° Connector
19	23" w x 19" h Flat Panel
20	19" h 90° Connector
21	23" w x 19" h Flat Panel w/ Door
22	19" h 90° Connector

**Steps**

1) Connect panel 15 to connector 16, and continue in numerical order [parts: 15-22].

*Connect Lower Counter Top together and then screw Blocks into place loosely, then Connect Upper Counter Top together and tighten blocks into place.*



*Example of Connection for Multiple Piece Counters*

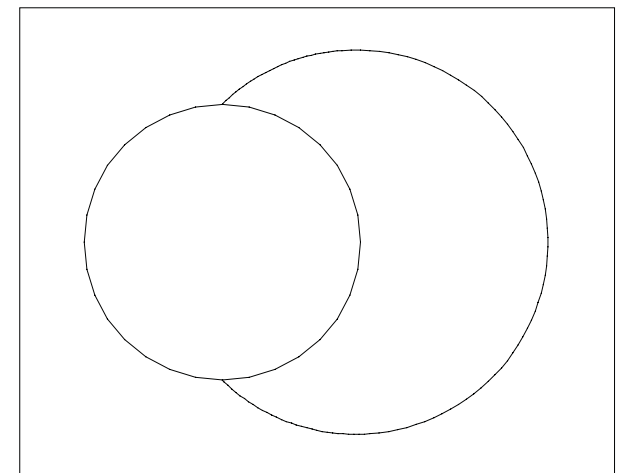
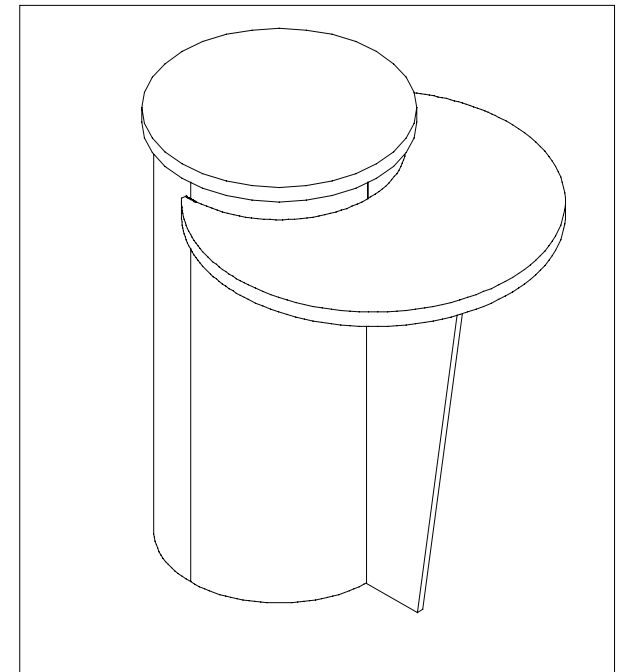
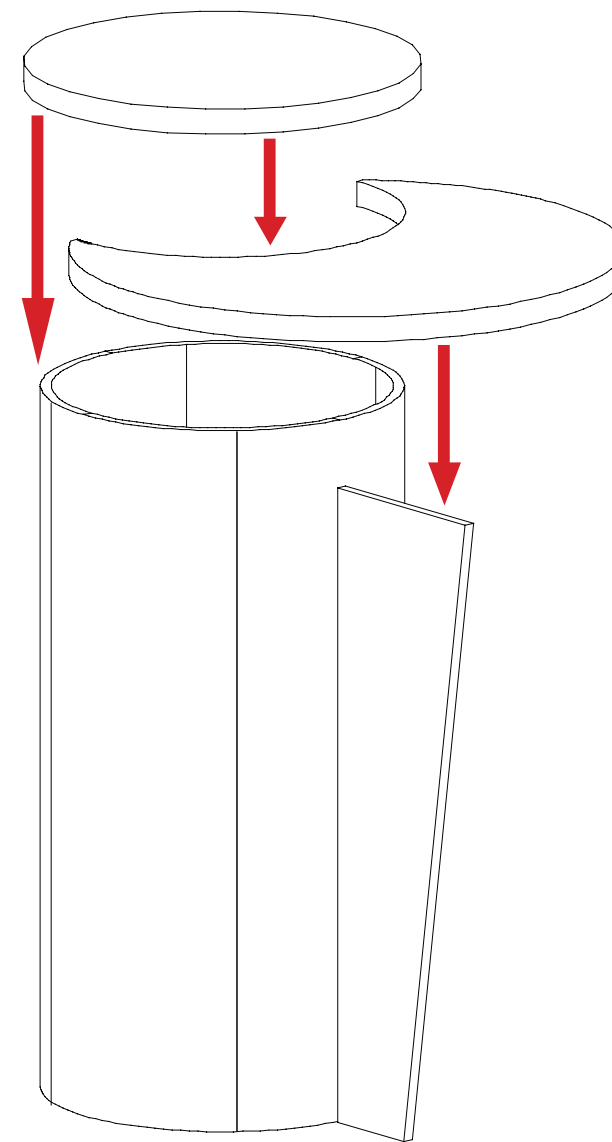
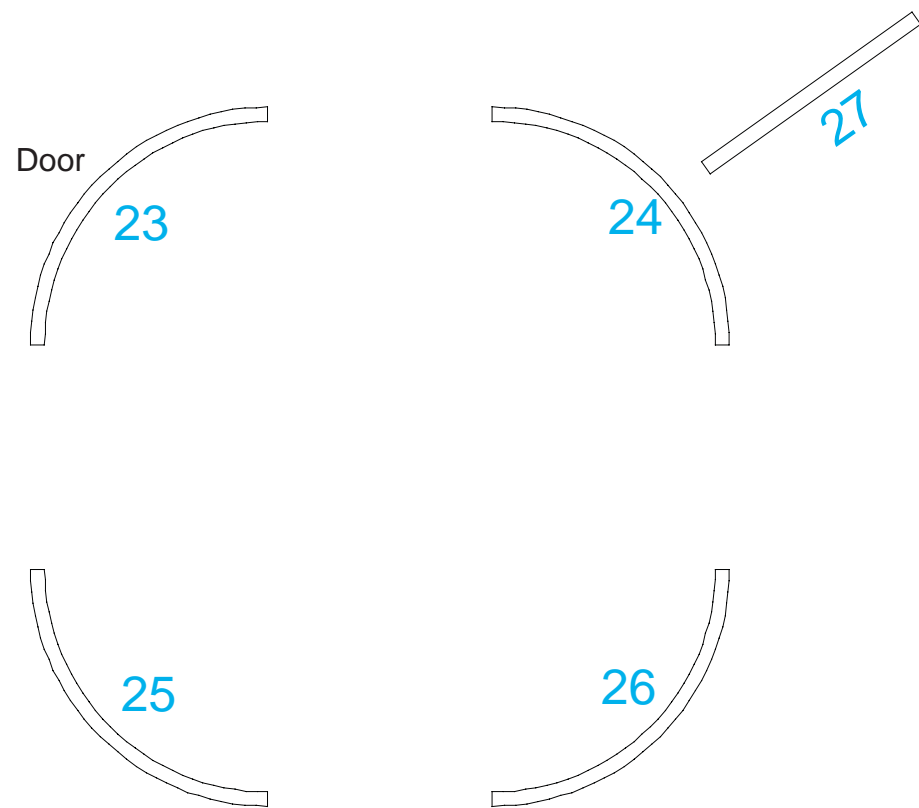
Slide counters together until leaf connectors engage. Open door and secure counter latches.

# euro It

Item	Description
23	42" h Curved Panel w/Door
24	42" h Curved Panel
25	42" h Curved Panel
26	42" h Curved Panel w/Velcro
27	38" h Counter Support Panel w/Buttons

Steps:

- 1) Assemble panels in numerical order.
- 2) Attach counter support panel #5 to panel #4 w/velcro.
- 3) Set front counter atop support #5 and thumbscrew sides into panels.
- 4) Set circular counter atop assembled pedestal as shown in illustration.



# euro It

Item	Description
28	38" h End Cap
29	19" w x 38" h Flat Panel
30	38" h 90° Connector
31	30" w x 38" h Flat Panel
32	38" h T-Connector
33	19" w x 38" h Flat Panel
34	38" h End Cap
35	30" w x 38" h Flat Panel
36	38" h 90° Connector
37	19" w x 38" h Flat Panel
38	38" h End Cap

**Steps:**

- 1) Assemble panels in numerical order.
- 2) Attach Velcroed shelf supports to panels.
- 3) Set internal shelves atop Velcroed supports.
- 4) Place Counter atop assembled Pedestal.

