

AERO

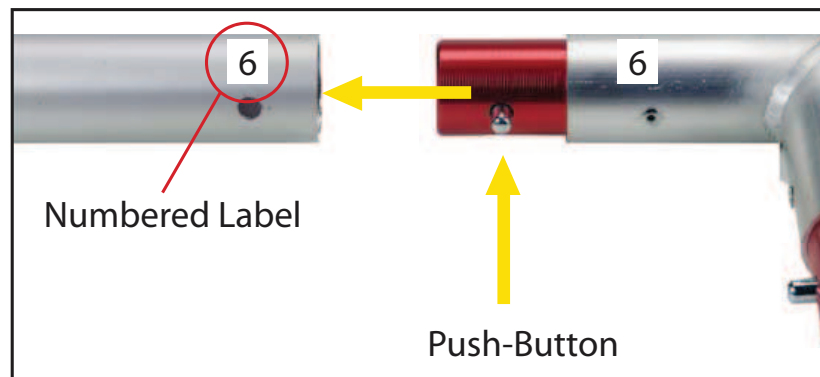
Using Your Setup Instructions

The Aero Overhead Sign Setup Instructions are created specifically for your configuration. They include an exploded view of the frame which is sequentially numbered. We encourage you to study the instructions before attempting to assemble your exhibit.

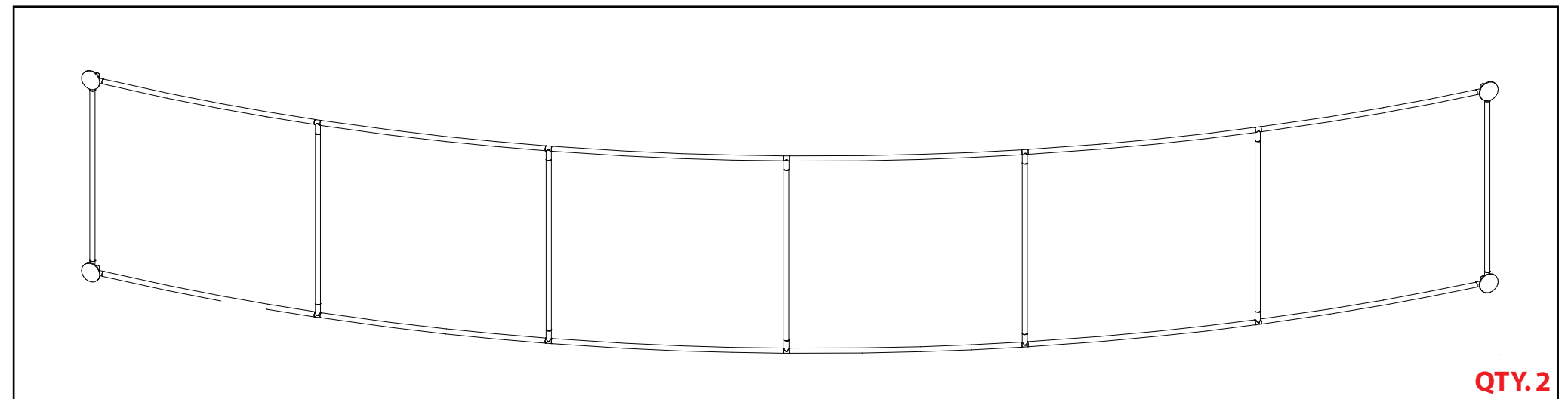
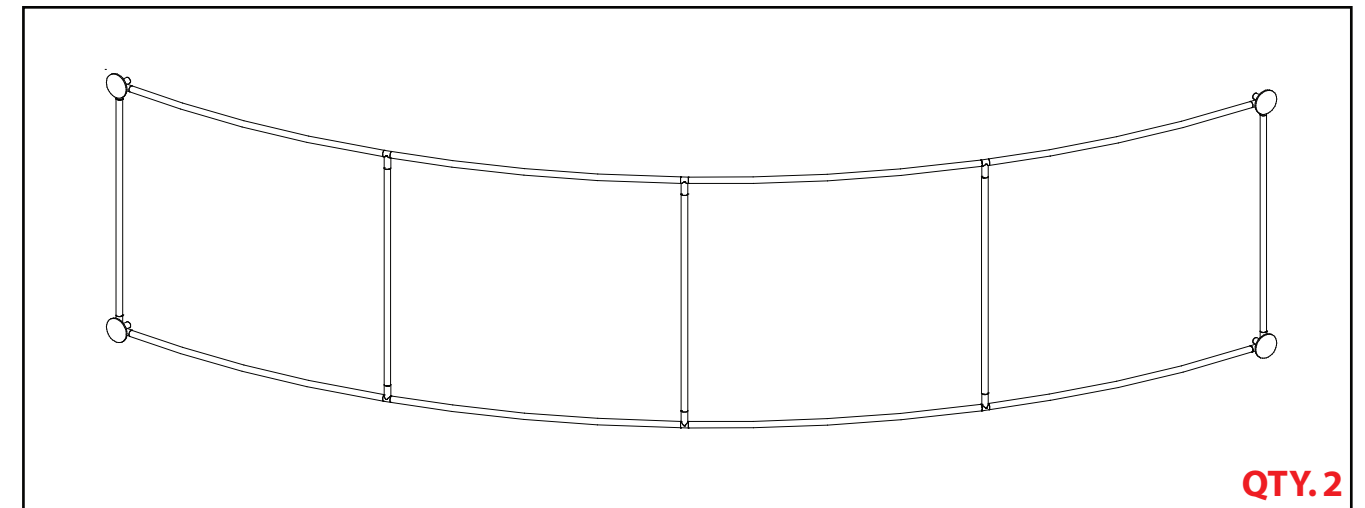
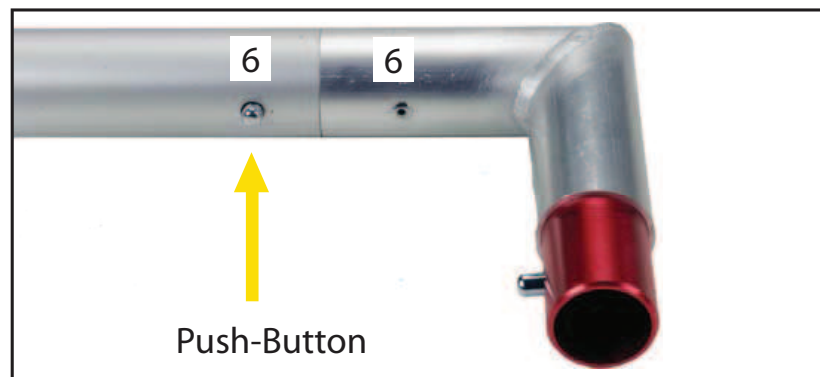
Connections are kept very simple: no tools. Everything assembles with push-button connectors and pre-connected horizontal sections.

Cleaning and Packing Your Display

- 1) Use care when cleaning aluminum extrusion or acrylic inserts. Use only non-abrasive cleaners.
- 2) Retain all packing material. It will make re-packing much easier and will reduce the likelihood of shipping damage.



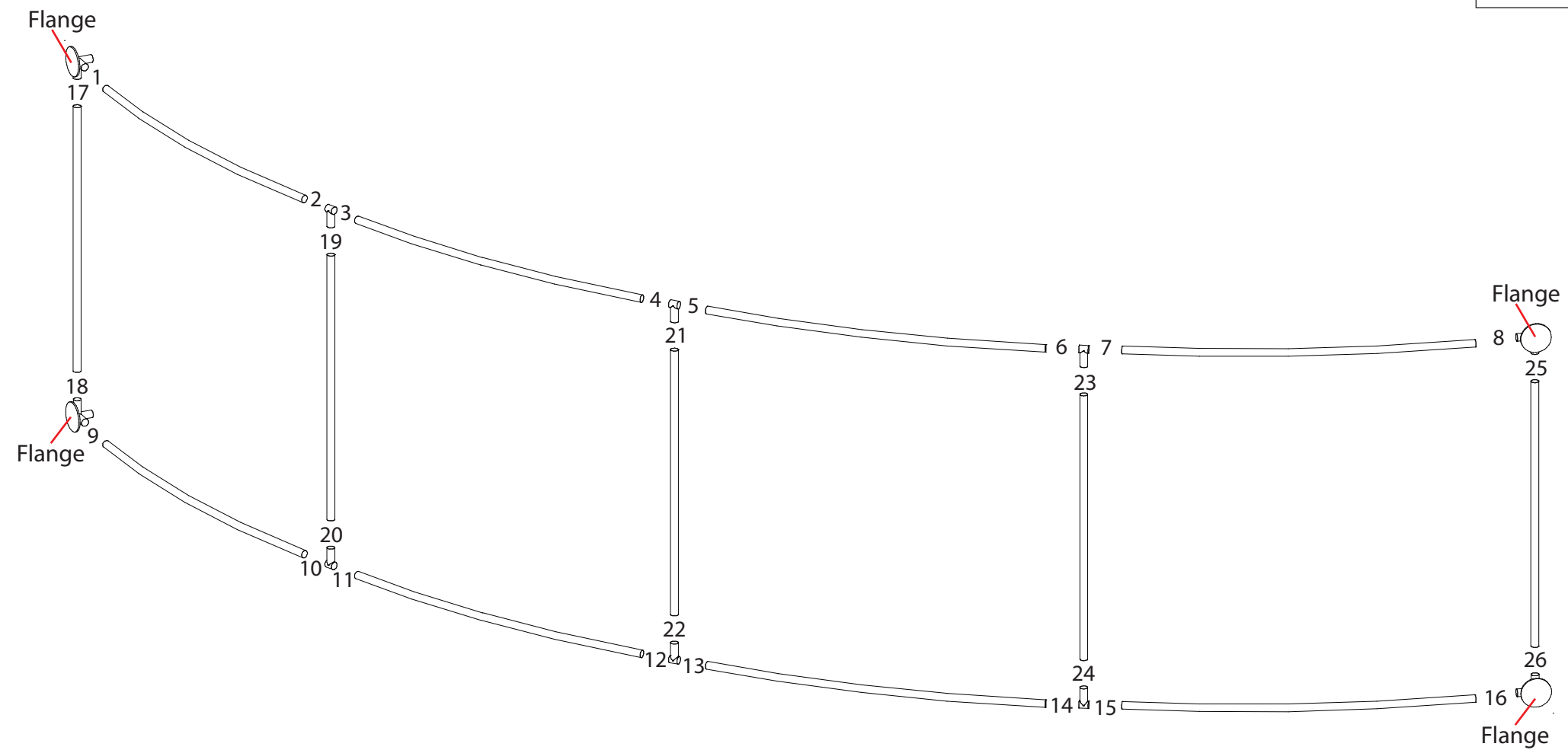
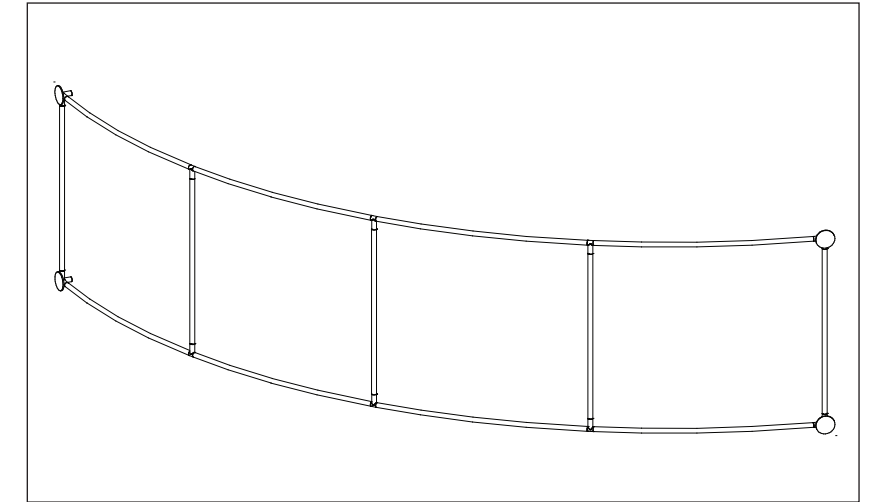
Connections are made by holding the button down and sliding the red tube into opposing tube until the connection is made. To disassemble push button and pull or twist extrusions apart.



NOTE :
 PDF copies of your Setup Instructions are available @ classicexhibits.com
 See the search tool on the lower left hand corner of the Home page.
 Enter the 5 digit Order #.

Search for Setup Instructions

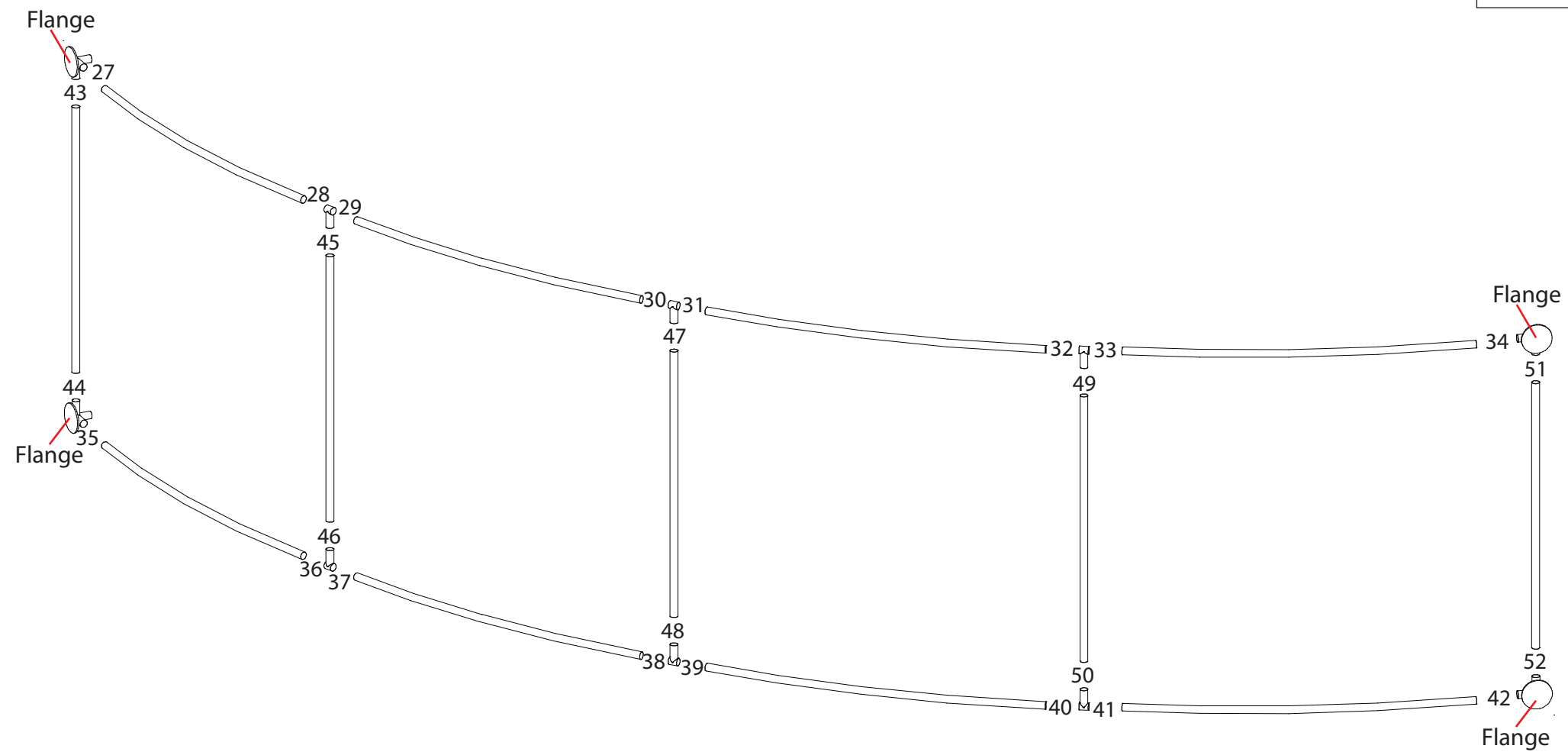
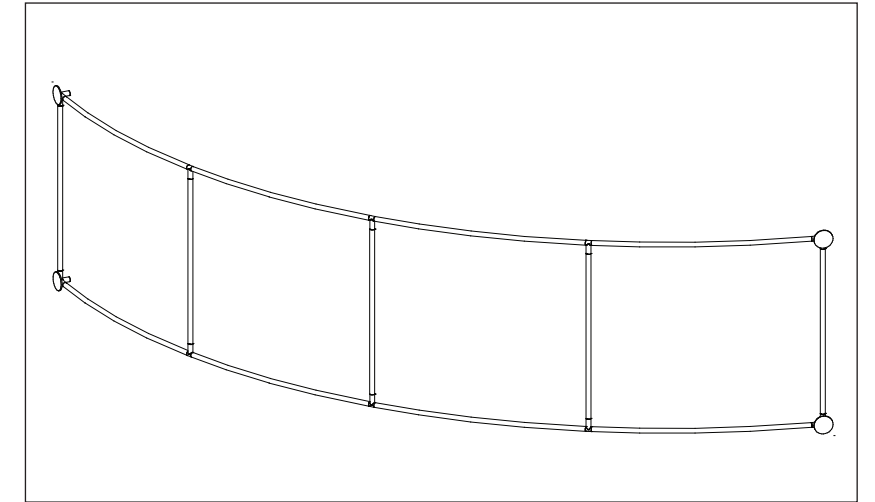
866.652.2100



Steps:

- 1) Connect all pieces together in numerical order.
- 2) Connect lower section and upper section together using the 5 Straight Vertical supports.

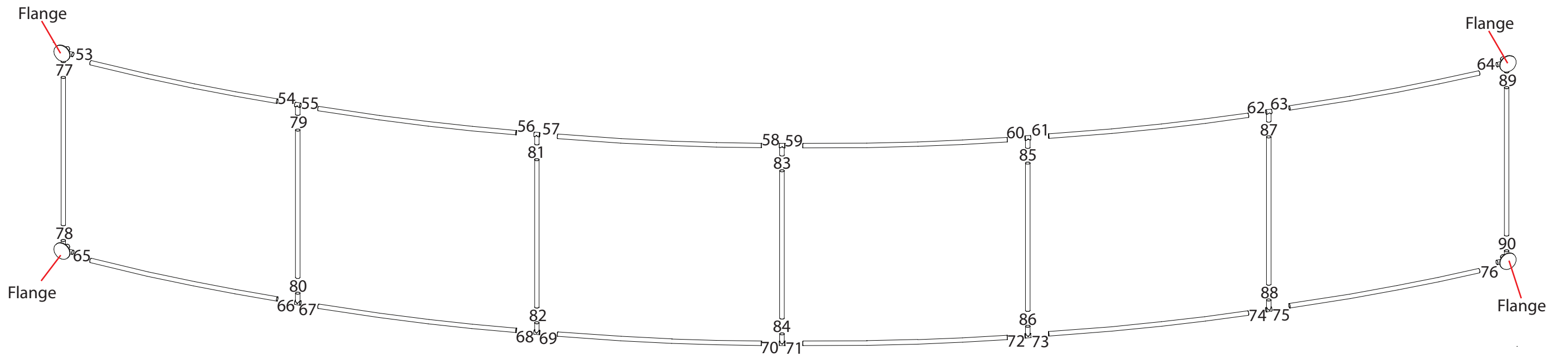
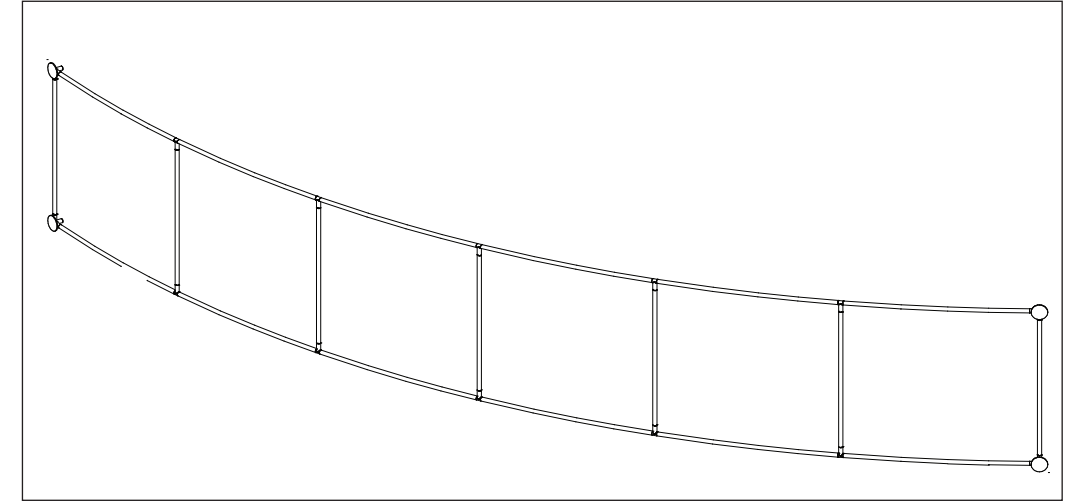
866.652.2100



Steps:

- 1) Connect all pieces together in numerical order.
- 2) Connect lower section and upper section together using the 5 Straight Vertical supports.

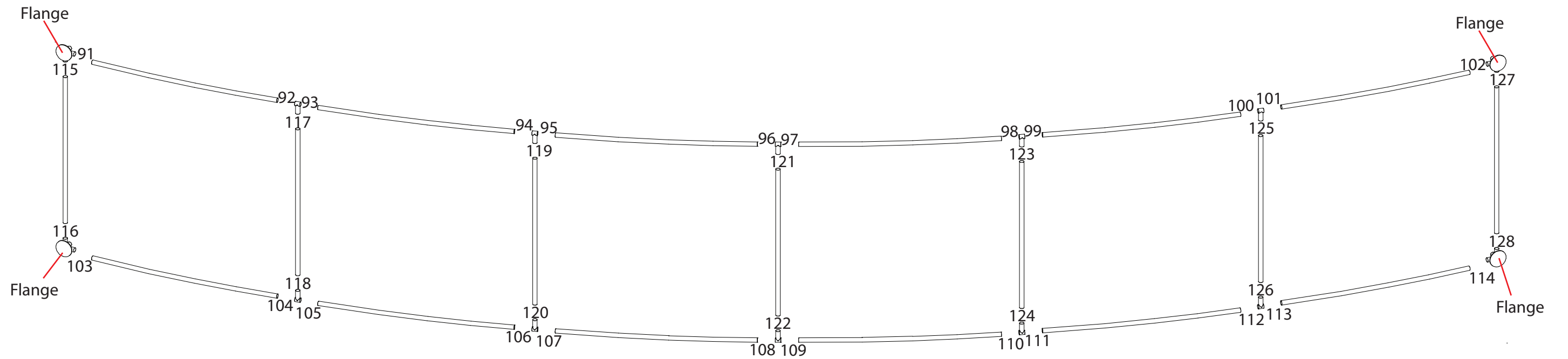
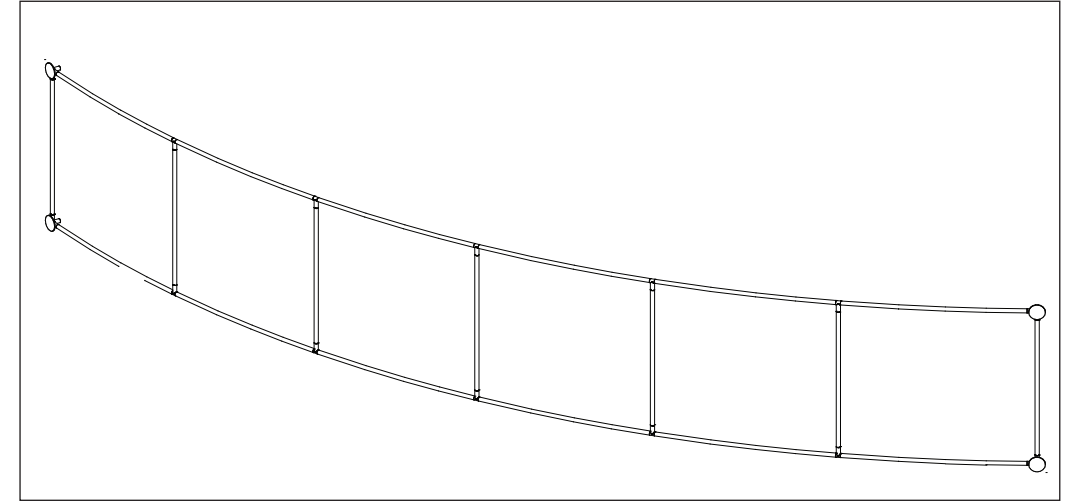
866.652.2100



Steps:

- 1) Connect all pieces together in numerical order.
- 2) Connect lower section and upper section together using the 5 Straight Vertical supports.

866.652.2100



Steps:

- 1) Connect all pieces together in numerical order.
- 2) Connect lower section and upper section together using the 5 Straight Vertical supports.