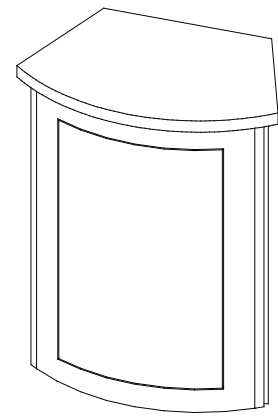
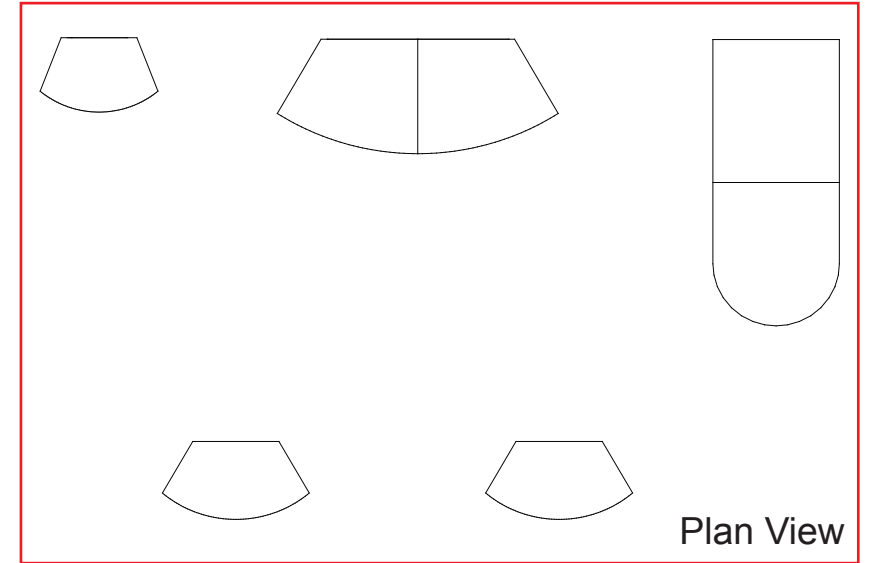
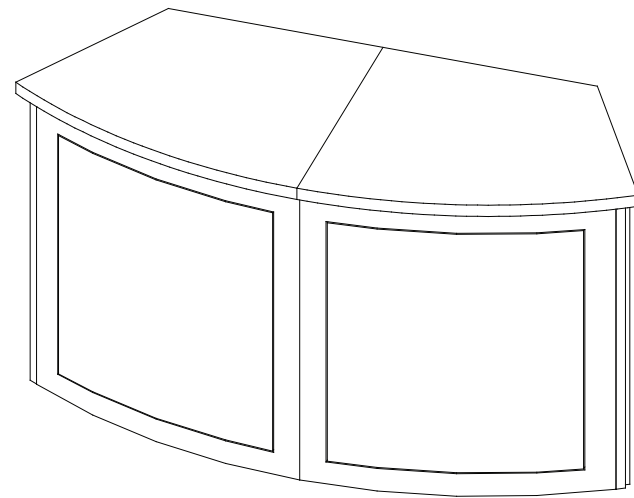


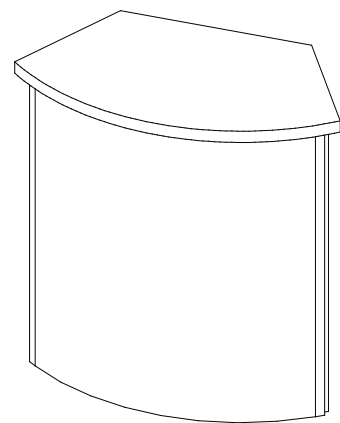
euro It



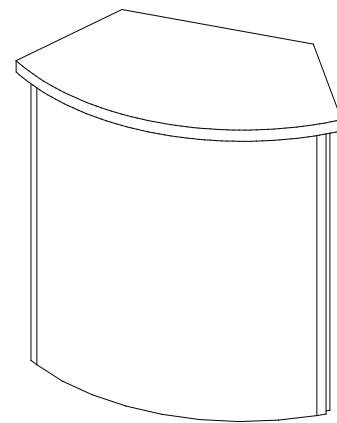
Pedestal B



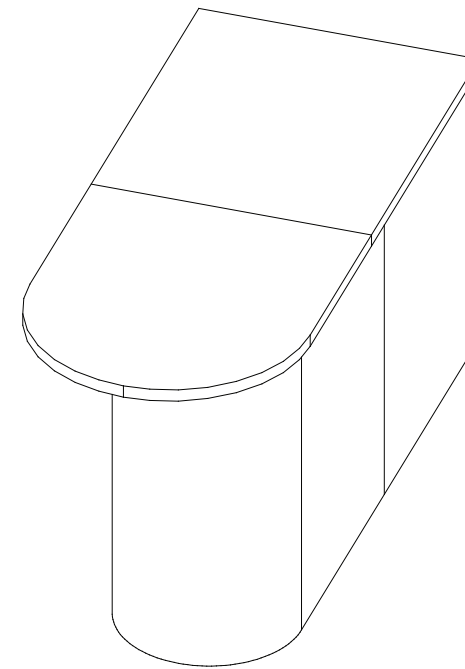
Pedestal A



Pedestal C



Pedestal C



Pedestal D

euro It | HYBRIDS

Euro LT Hybrids General Setup Instructions

Using Your Setup Instructions

The Euro LT Hybrids Setup Instructions are created specifically for your configuration. They are laid out sequentially in levels, including exploded views, and a logical series of detailed steps to assemble the main structure and components. We encourage you to study the instructions **before** attempting to assemble your exhibit.

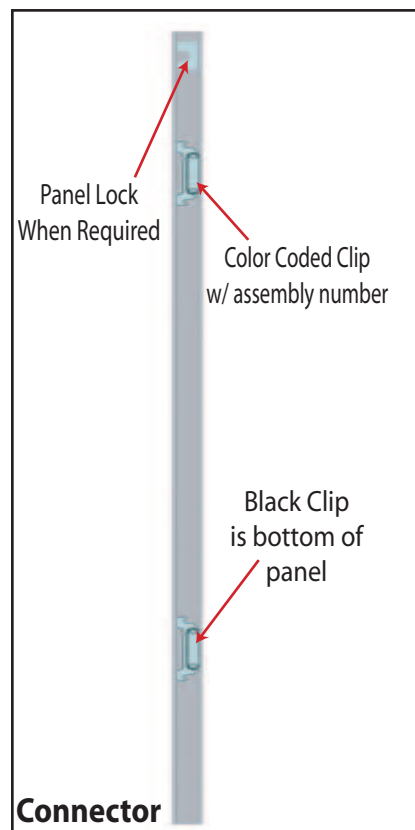
Cleaning and Packing Your Display

- 1) When cleaning laminate countertops or panels use mild cleansers and a soft material such as cotton.
- 2) Keep all display components away from extreme heat and long exposure to sunlight to avoid warping and fading.
- 3) Retain all packing material. It will make re-packing much easier and will reduce the likelihood of shipping damage.

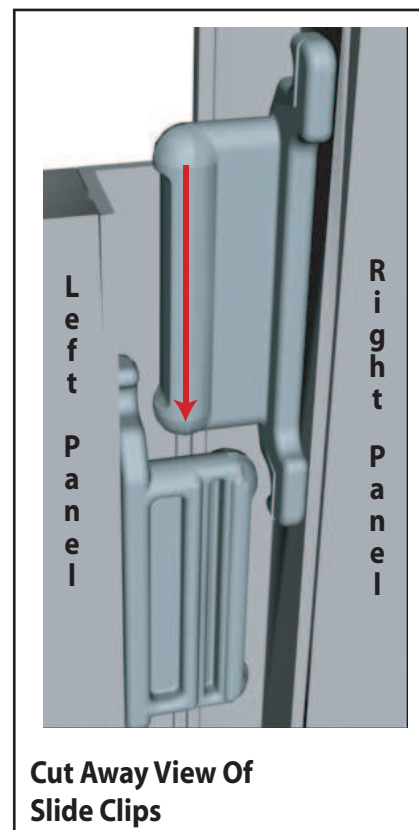
Level 1 = Blue
 Level 2 = Red
 Level 3 = Green
 Level 4 = Black

Color Code

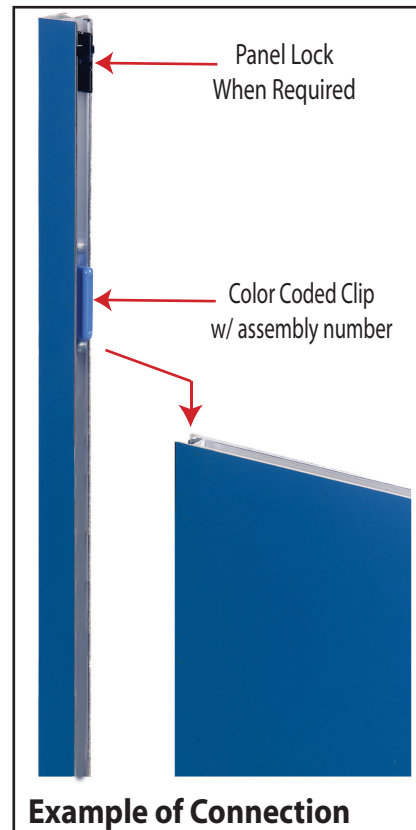
The top clip is color coded to distinguish the level. The color coded clip also contains the numbered label



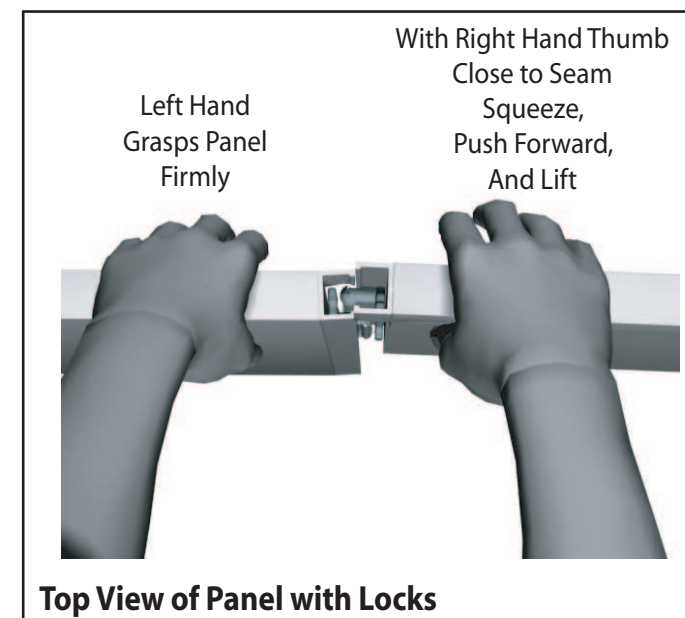
Each component has 2 clips, the lower clip is ALWAYS black..



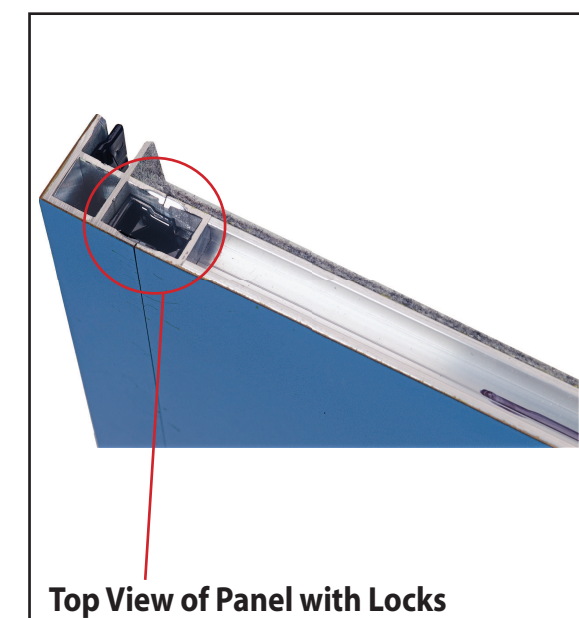
Components connect together by aligning them and sliding downward connecting clips together.



Configurations are assembled from left to right, usually starting with #1 and following the numbered sequence.



The first level of components contains panel locks that are located at the top of the panel for extra stability and a seamless connection. When disassembling panels, twist top connection slightly and lift right panel upward.

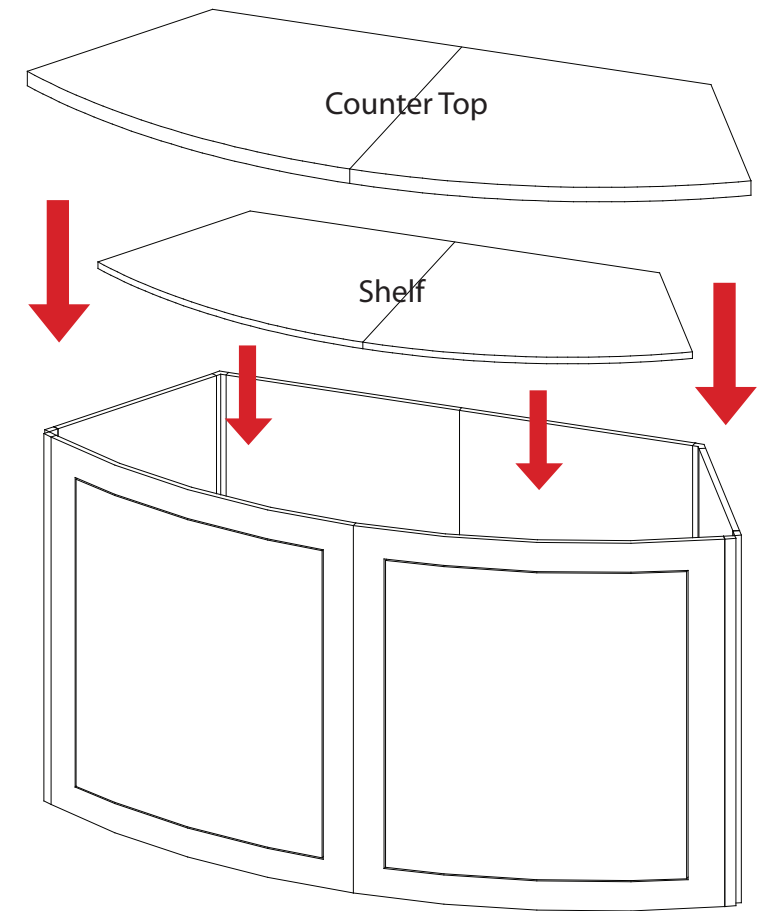
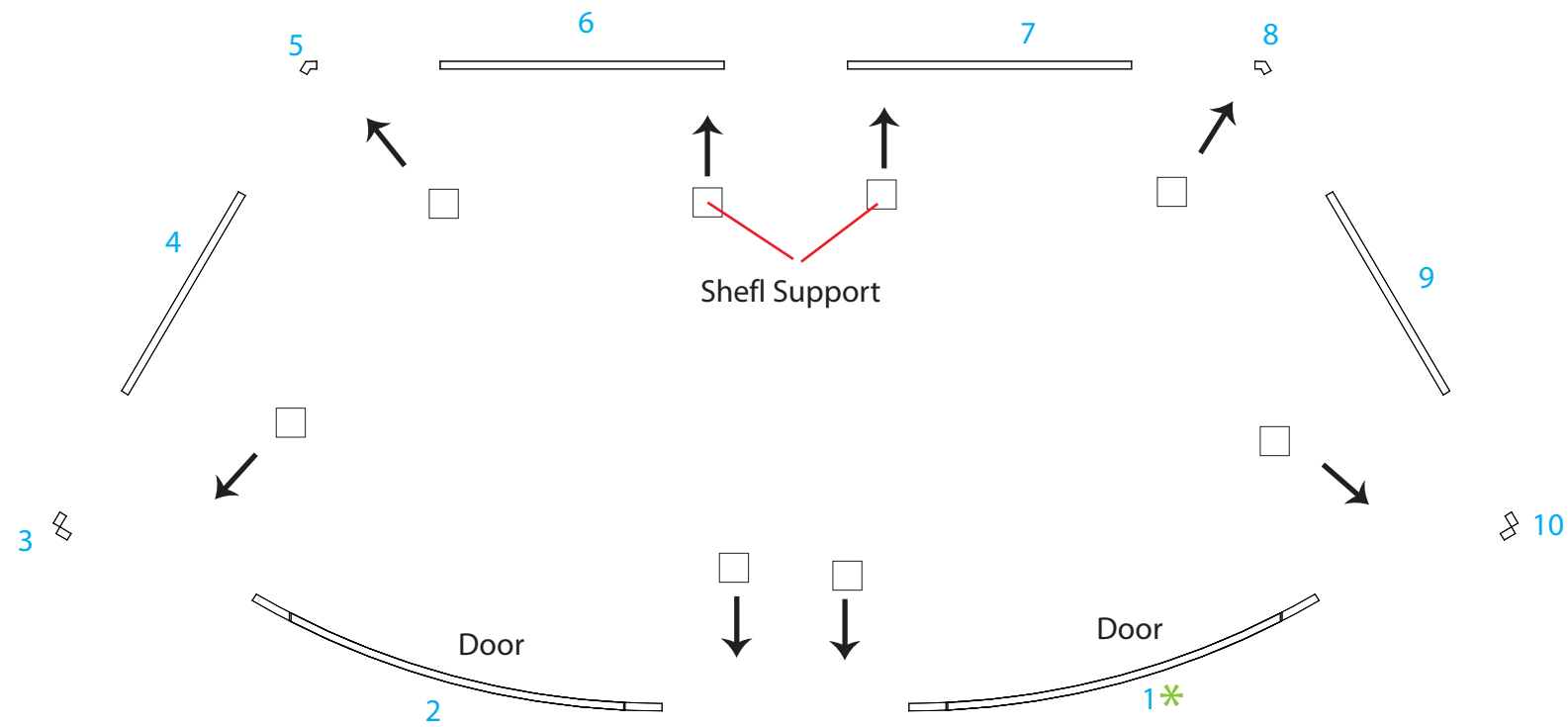
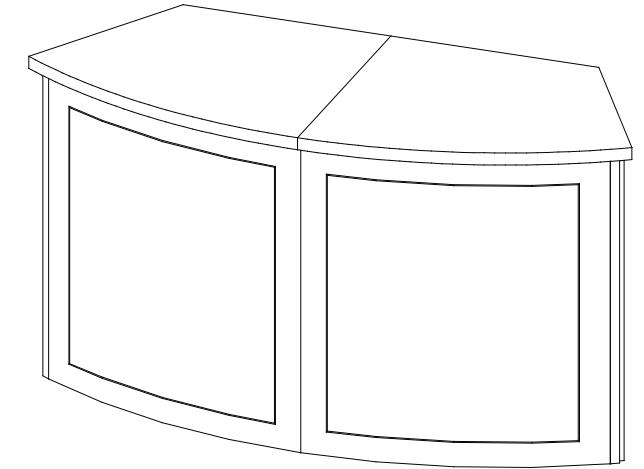


866.652.2100

Item Number	Description
1	38" h Curve Panel w/ Door
2	38" h Curve Panel w/ Door
3	38" h Flex Connector
4	19" w x 38" h Flat Panel
5	38" h 120° Connector
6	23" w x 38" h Flat Panel
7	23" w x 38" h Flat Panel
8	38" h 120° Connector
9	19" w x 38" h Flat Panel
10	38" h Flex Connector

Steps:

- 1) Assemble by starting at panel #1* and continue in numerical order.
- 2) Velcro internal shelf supports to inside of assembled pedestal.
- 3) Set internal shelf atop shelf supports.
- 4) Place counter top on assembled pedestal.

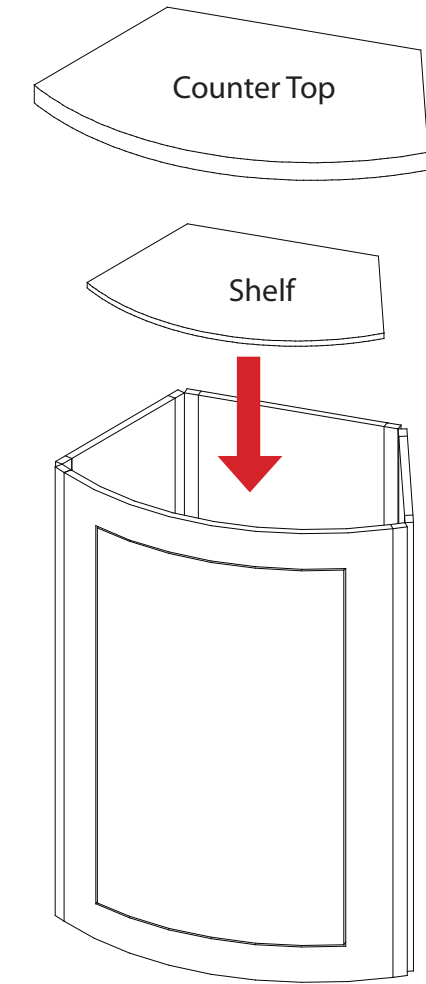
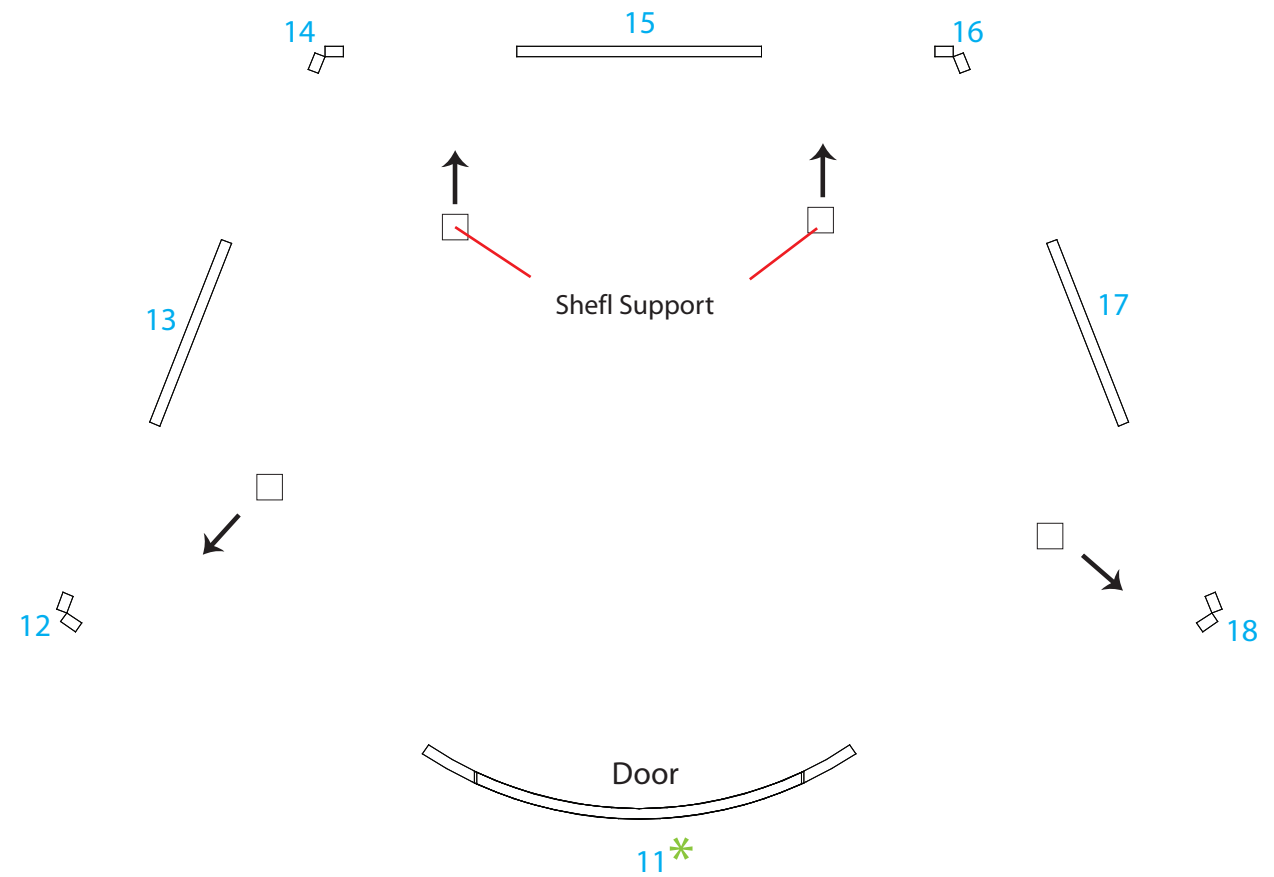
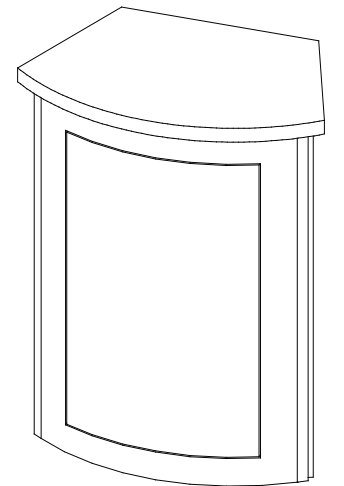


866.652.2100

Item Number	Description
11	38" h Curve Panel w/ Door
12	38" h Flex Connector
13	11.5" w x 38" h Flat Panel
14	38" h 120° Connector
15	14.125" w x 38" h Flat Panel
16	38" h Flex Connector
17	11.5" w x 38" h Flat Panel
18	38" h Flex Connector

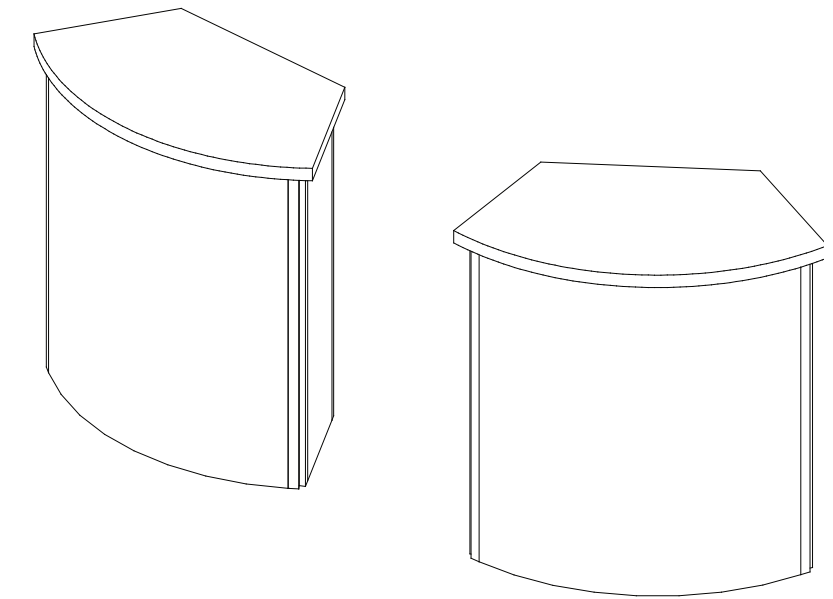
Steps:

- 1) Assemble by starting at panel #11* and continue in numerical order.
- 2) Velcro internal shelf supports to inside of assembled pedestal.
- 3) Set internal shelf atop shelf supports.
- 4) Place counter top on assembled pedestal.



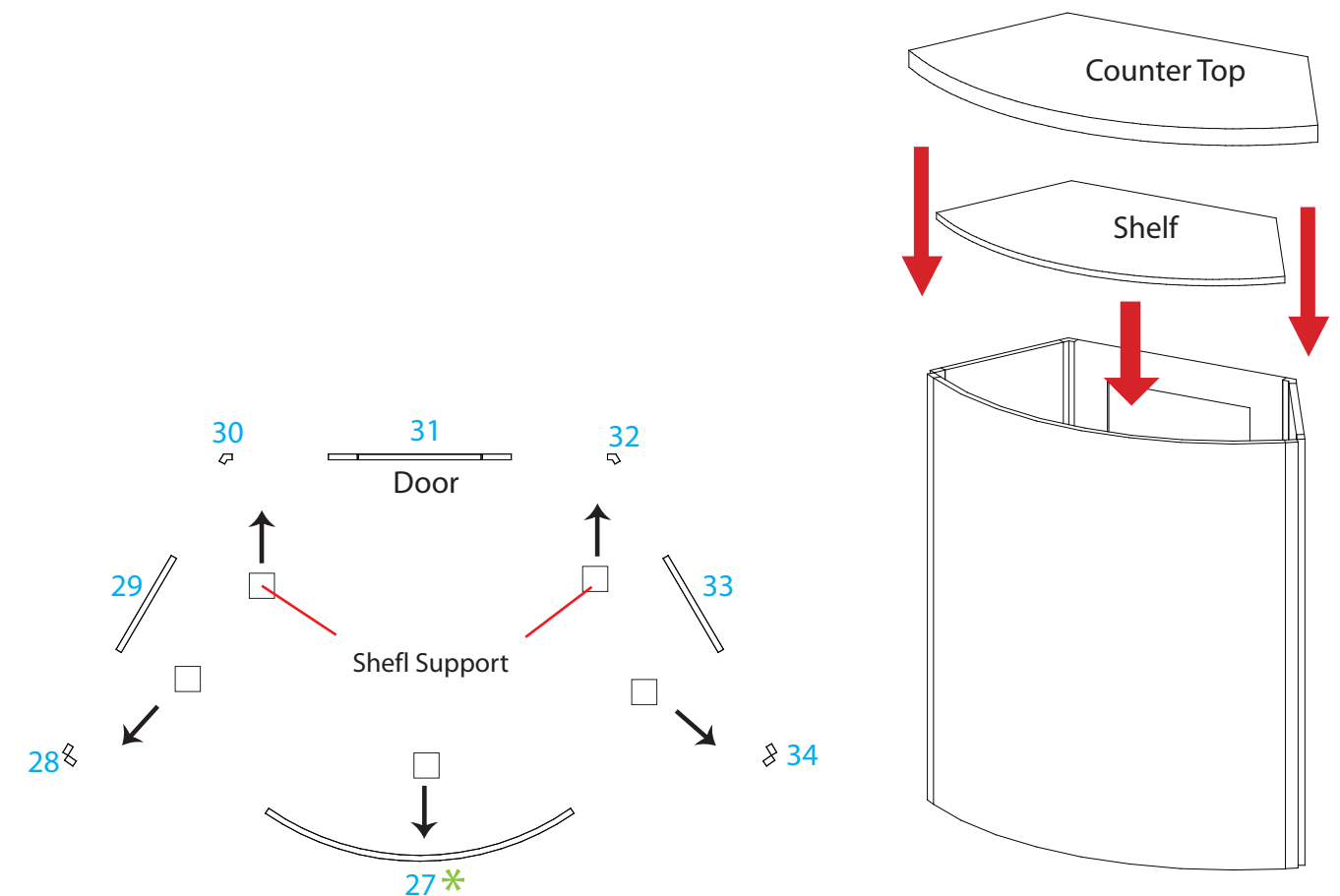
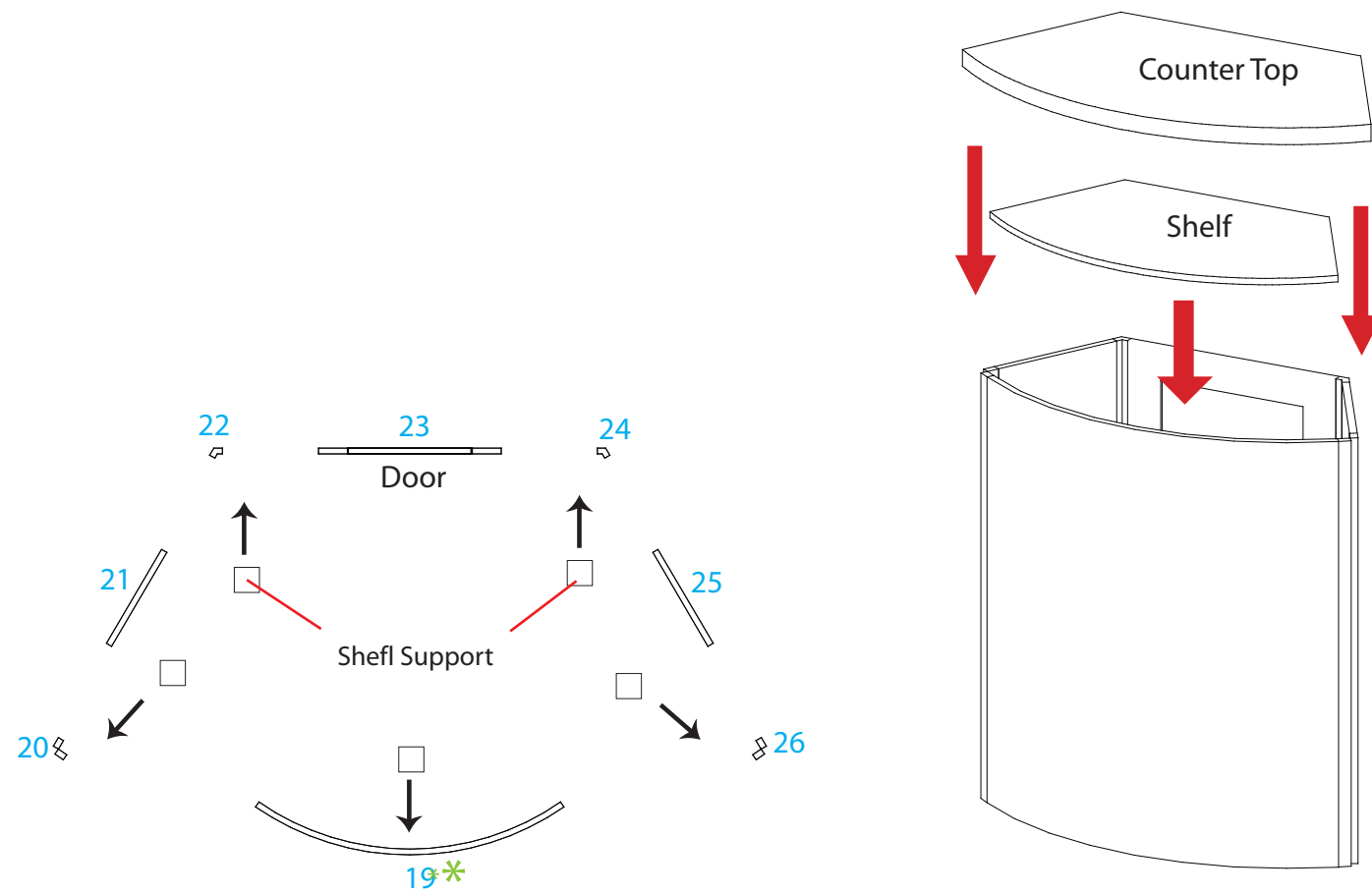
866.652.2100

Item Number	Description	Item Number	Description
19	38" h Curve Panel	27	38" h Curve Panel
20	38" h Flex Connector	28	38" h Flex Connector
21	11.5" w x 38" h Flat Panel	29	11.5" w x 38" h Flat Panel
22	38" h 120° Connector	30	38" h 120° Connector
23	19" w x 38" h Flat Panel w/ Door	31	19" w x 38" h Flat Panel w/ Door
24	38" h 120° Connector	32	38" h 120° Connector
25	11.5" w x 38" h Flat Panel	33	11.5" w x 38" h Flat Panel
26	38" h Flex Connector	34	38" h Flex Connector



Steps:

- 1) Assemble by starting at panel #19* and continue in numerical order.
- 2) Velcro internal shelf supports to inside of assembled pedestal.
- 3) Set internal shelf atop shelf supports.
- 4) Place counter top on assembled pedestal.

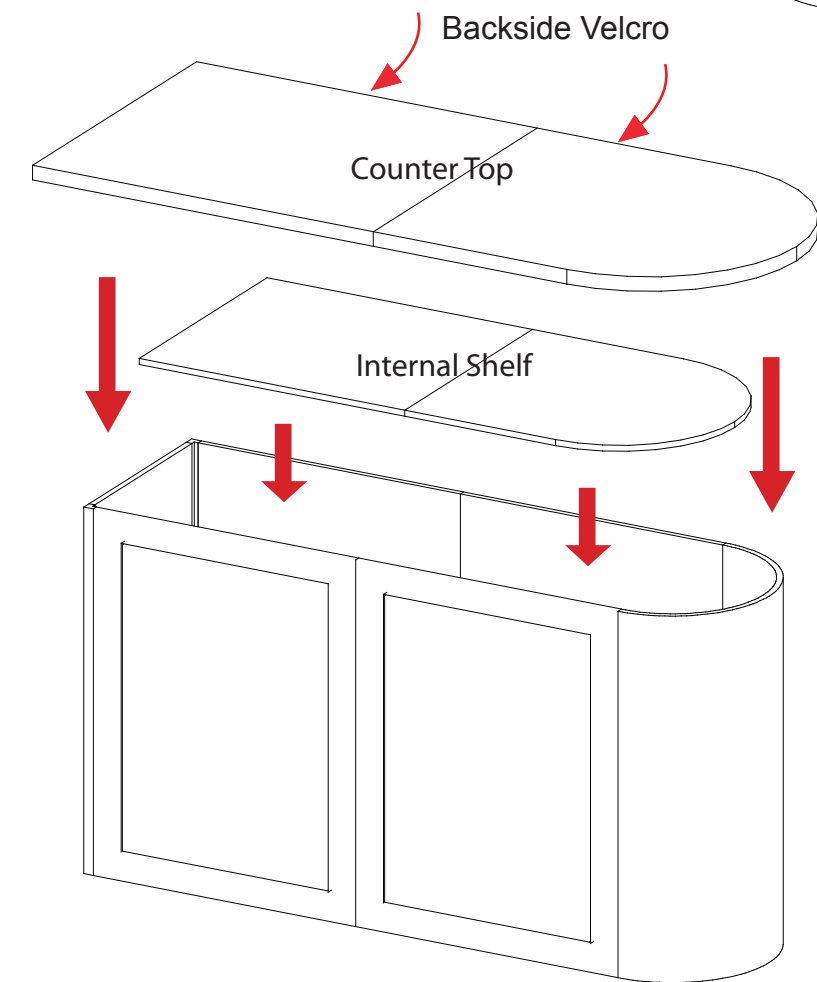
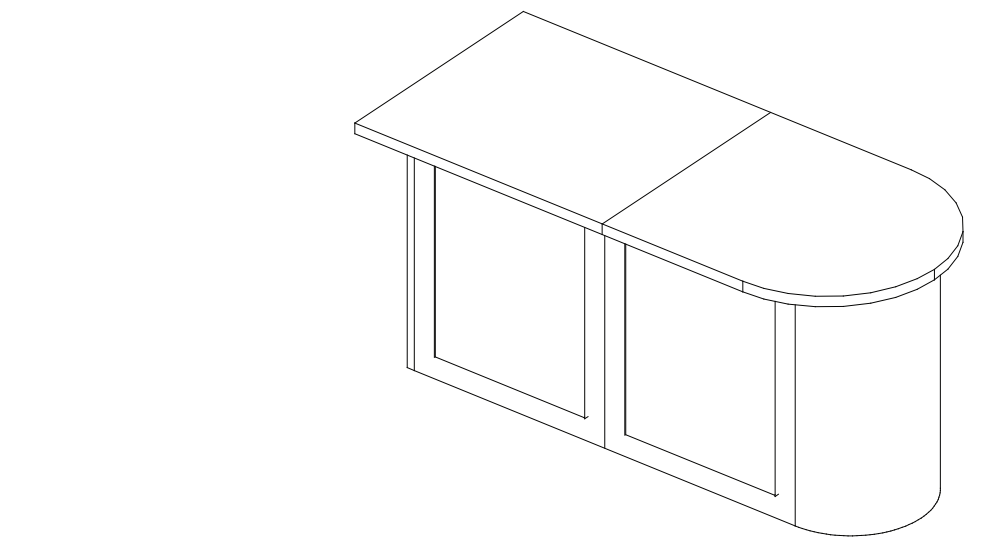
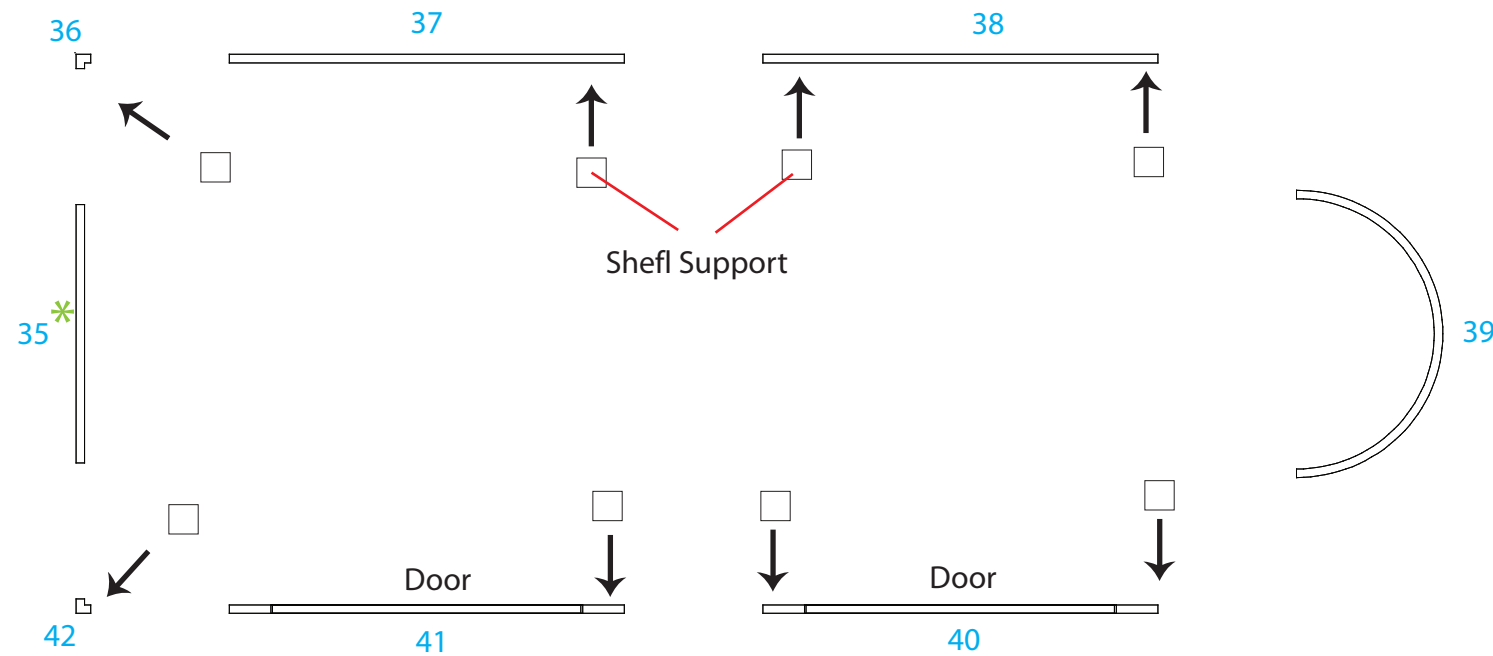


866.652.2100

Item Number	Description
35	19" w x 38" h Flat Panel
36	38" h 90° Connector
37	28.5" w x 38" h Flat Panel
38	28.5" w x 38" h Flat Panel
39	9.5" r x 38" h Curve Panel
40	28.5" w x 38" h Flat Panel w/ Door
41	28.5" w x 38" h Flat Panel w/ Door
42	38" h 90° Connector

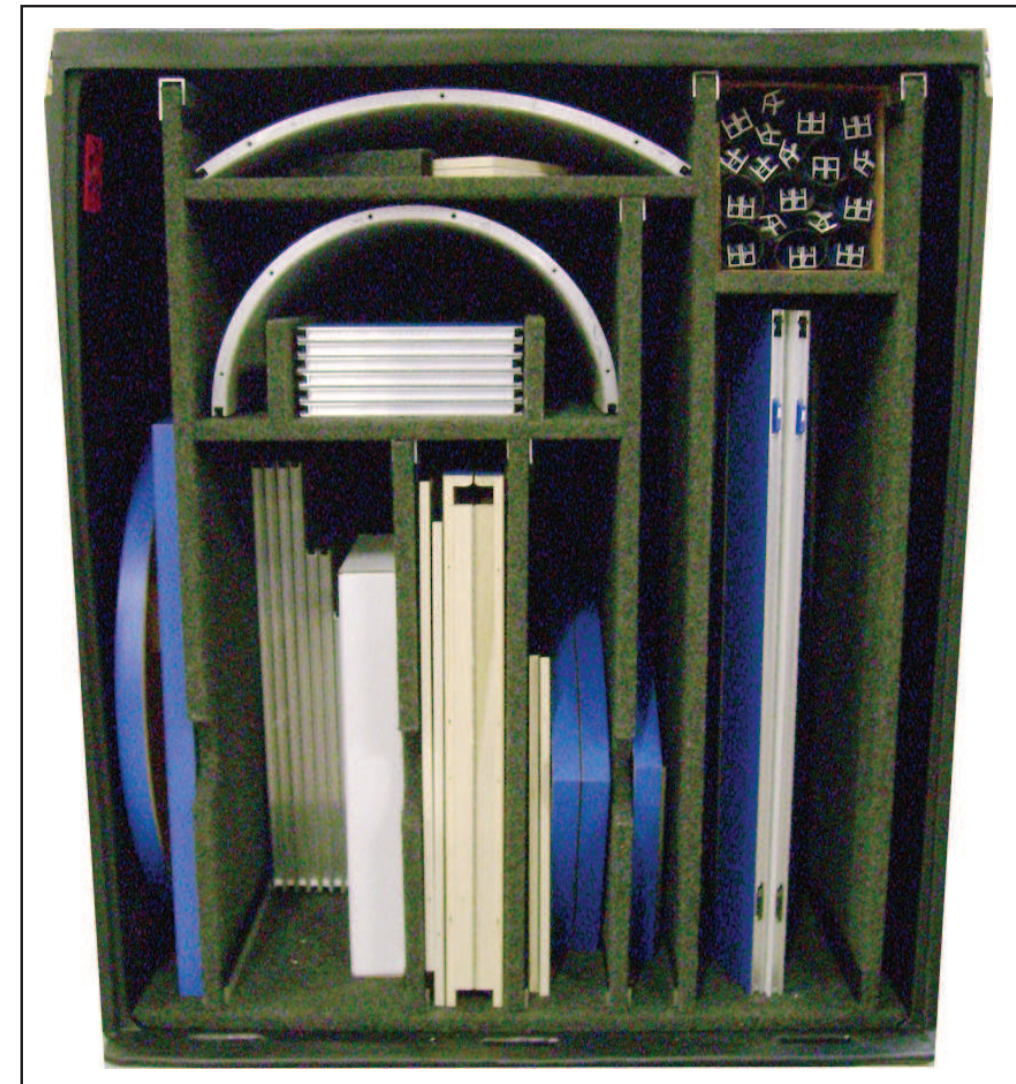
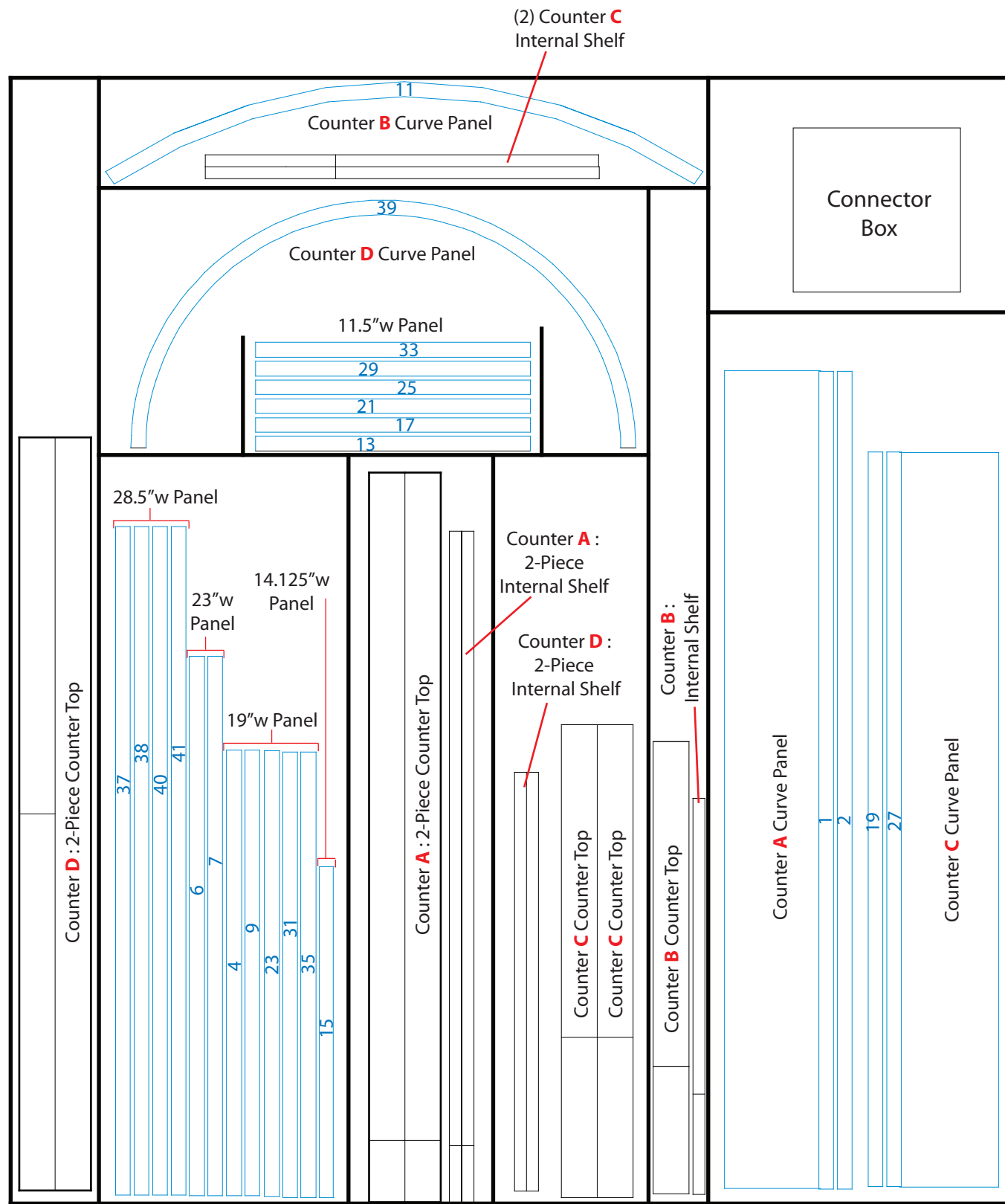
Steps:

- 1) Assemble by starting at panel #35* and continue in numerical order.
- 2) Velcro internal shelf supports to inside of assembled pedestal.
- 3) Set internal shelf atop shelf supports.
- 4) Place counter top on assembled pedestal.



NOTE: Using door opening go inside base and attach Velcro from underside of counter to Panels.

866.652.2100



Jumbo Tub Front View

- Additional Items:
- (1) Internal Shelf Support Box
 - (1) Setup Hardware Box