

20'

WHEN DISASSEMBLING ALUMINUM EXTRUSION, TIGHTEN ALL SETSCREWS AND LOCKS TO PREVENT LOSS DURING SHIPPING

visionary™ DESIGNS

Using Your Setup Instructions

The Visionary Designs Setup Instructions are created specifically for your configuration. They are laid out sequentially, including an exploded view of the entire display, and then a logical series of detailed steps to assemble the main structure and components. We encourage you to study the instructions **before** attempting to assemble your exhibit.

Each page reminds you to tighten the setscrews after disassembling your exhibit to prevent loss of the locks and setscrews (see below in RED). This is **VERY IMPORTANT**.

Cleaning and Packing Your Display

- 1) Use care when cleaning aluminum extrusion or acrylic inserts. Use only non-abrasive cleaners.
- 2) When cleaning laminate inserts or countertops, use mild cleansers and a soft material such as cotton.
- 3) Keep all display components away from extreme heat and long exposure to sunlight to avoid warping and fading.
- 4) Retain all packing material. It will make re-packing much easier and will reduce the likelihood of shipping damage.



The Tool

Most Visionary Designs exhibits can be assembled with the supplied Hex Key Tool. Occasionally, a flat head screwdriver may be required.



Typical Connection



Typical Connection (cont'd)

Most horizontal extrusion connections have a patented expandable lock. This lock inserts into the groove of an opposing extrusion. Tightening the lock with the Hex Key Tool expands the lock and creates a strong positive connection.



Detail B

Numbered Label

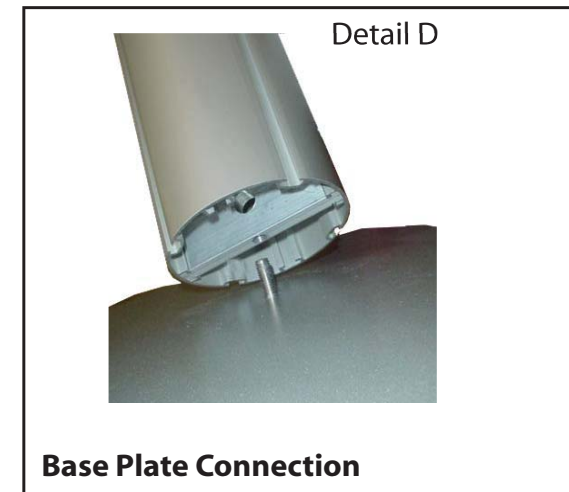
Each extrusion contains a numbered label which corresponds with setup instructions. The label is located within a groove of the extrusion (when possible). With Visionary Designs the labels contain Black numbers unless otherwise specified.



Detail C

Horizontal Inline Connection (remove only one setscrew)

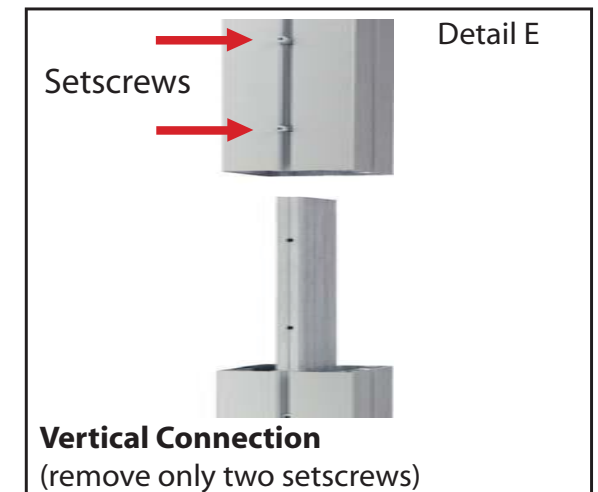
Remove only (1) setscrew when disassembling. Replace setscrew in extrusion after assembling it. Before packing, replace setscrew in extrusion to avoid losing it.



Detail D

Base Plate Connection

Attach base plate to round or square vertical extrusion using the bolt provided. Be careful not to strip the threads.



Detail E

Vertical Connection
(remove only two setscrews)

When vertical extrusions are packed in portable cases rather than crates or tubs, they must be broken down into smaller sections which then require assembly.

Remove only (2) setscrews when disassembling. Replace setscrews in extrusion after assembling it. Before packing, replace setscrews in extrusion to avoid losing them.

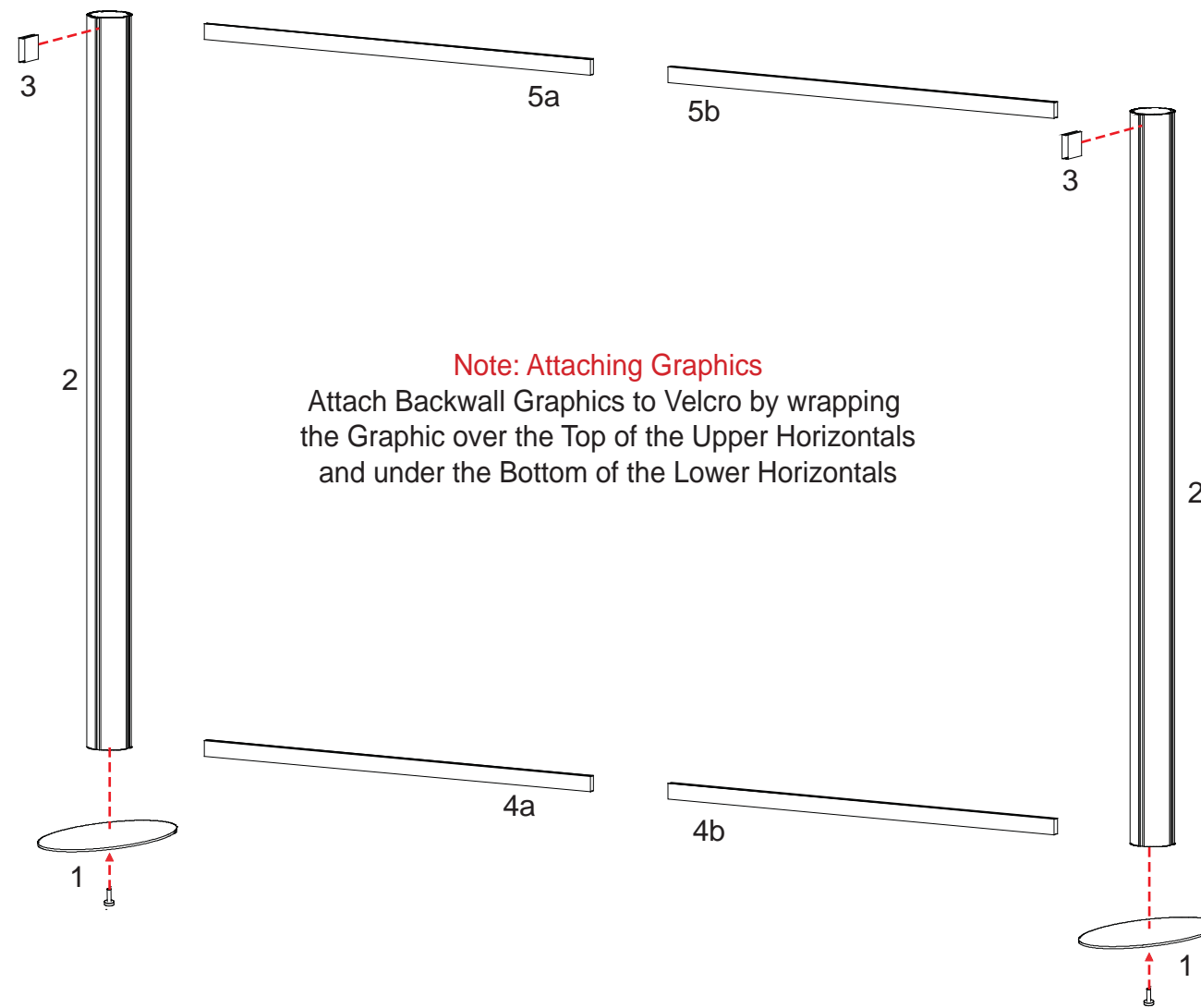
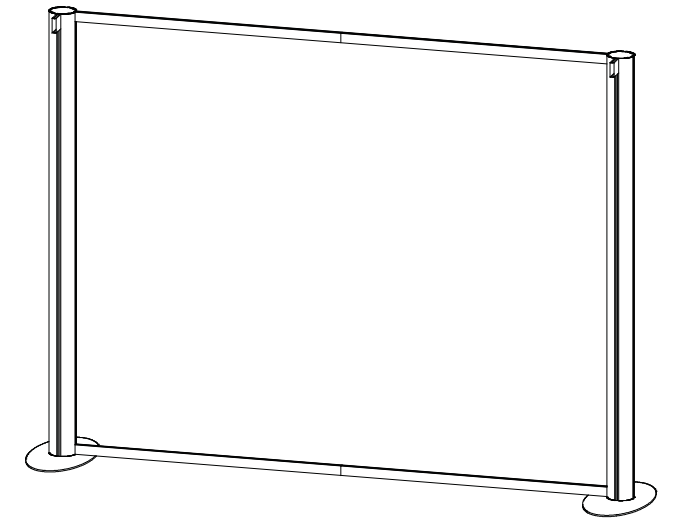
WHEN DISASSEMBLING ALUMINUM EXTRUSION, TIGHTEN ALL SETSCREWS AND LOCKS TO PREVENT LOSS DURING SHIPPING

866.652.2100

Item	Quantity	Description
1	2	Base Plate
2	2	84" h Vertical Extrusion
3	2	3" Extrusion Connector for Header Attachment
4a/4b	1/1	49.6" Horizontal Extrusion w/ Velcro Attached to Top of Extrusion
5a/5b	1/1	49.6" Horizontal Extrusion w/ Velcro Attached to Bottom of Extrusion

Steps:

- 1) Attach vertical extrusions [2] to base plates [1], see detail D on general info page.
- 2) Connect horizontal extrusions together [4a to 4b and 5a to 5b].
- 3) Attach horizontal assemblies between vertical extrusions [2].
- 4) Attach header connectors [3] to top of vertical extrusions [2].



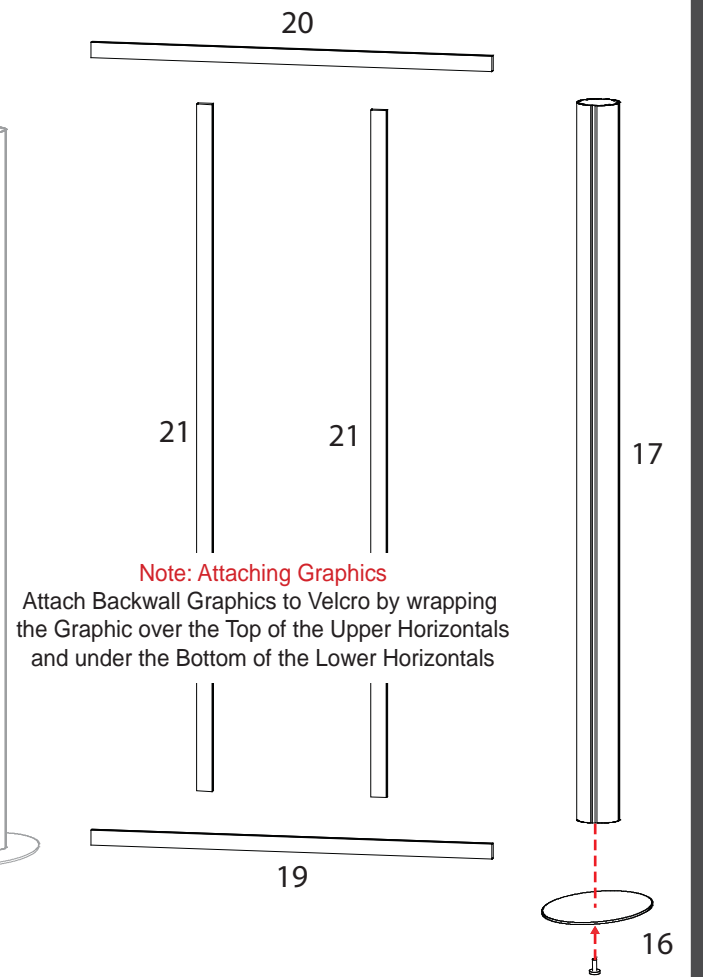
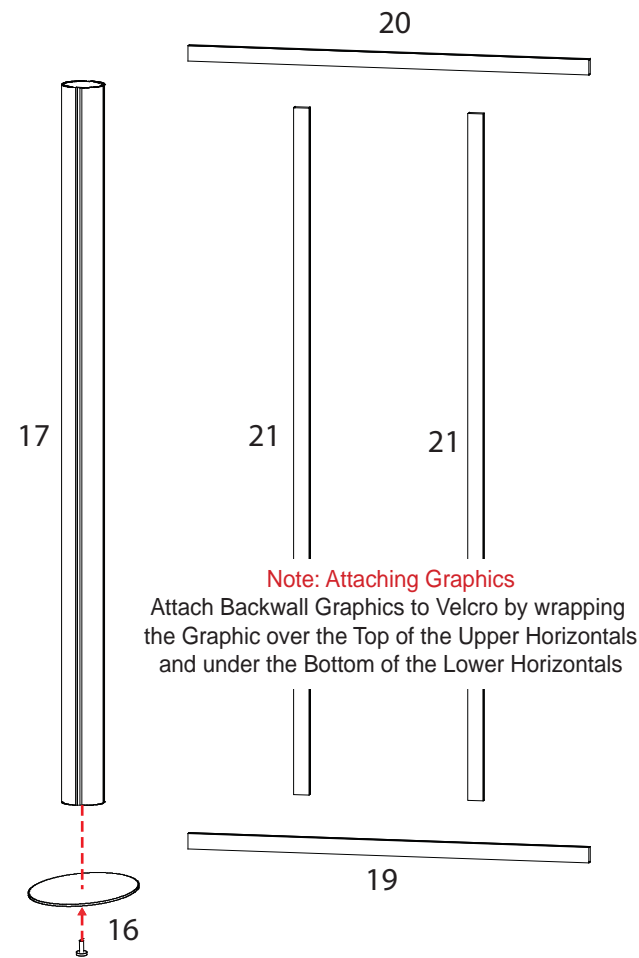
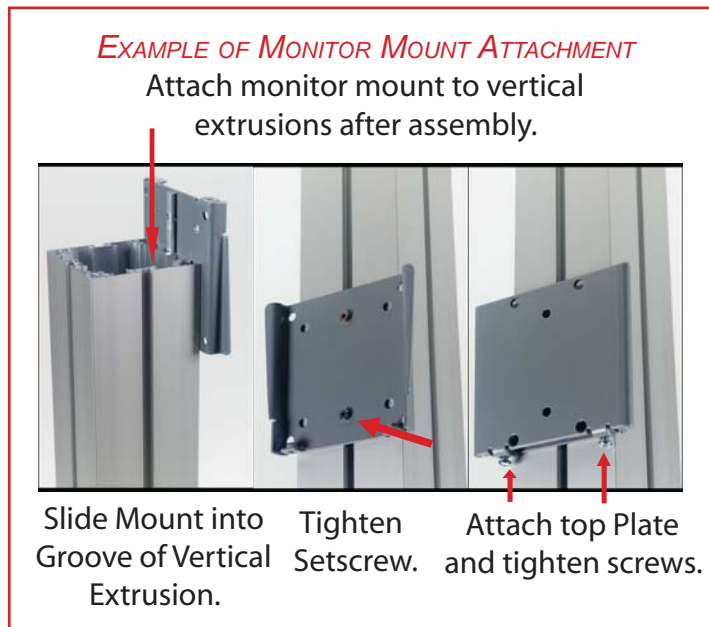
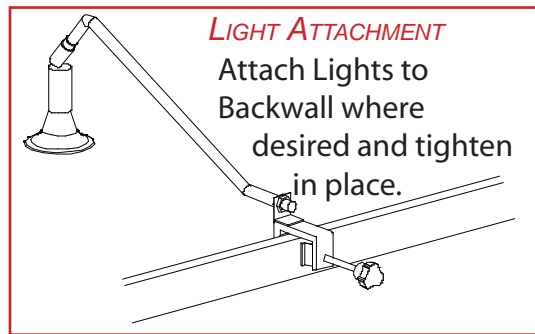
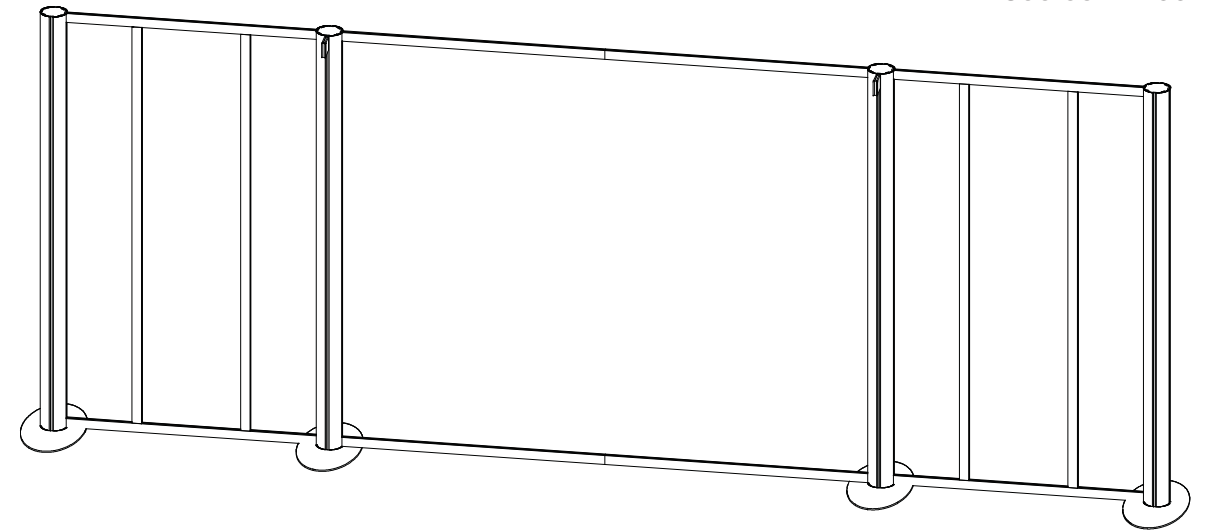
WHEN DISASSEMBLING ALUMINUM EXTRUSION, TIGHTEN ALL SETSCREWS AND LOCKS TO PREVENT LOSS DURING SHIPPING

866.652.2100

Item	Quantity	Description
16	2	Base Plate
17	2	84"h Vertical Extrusion
19	2	47.2040" Horizontal Extrusion w/ Velcro Attached to Top of Extrusion
20	2	47.2040" Horizontal Extrusion w/ Velcro Attached to Bottom of Extrusion
21	4	80.418"h Vertical Extrusion w/ Holes for Graphic Attachment

Steps:

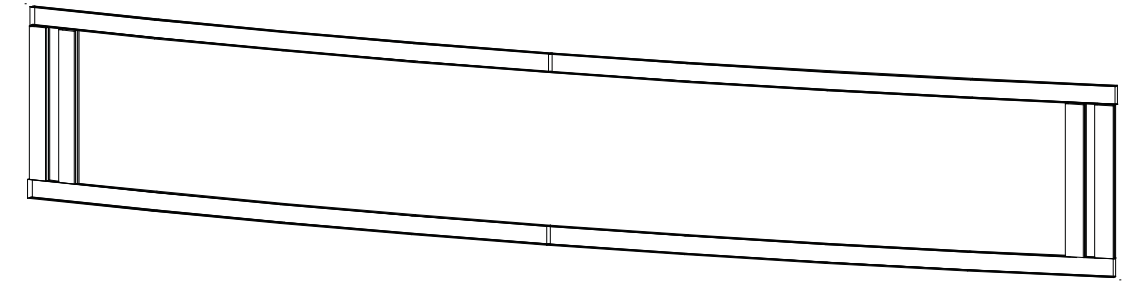
- 1) Attach vertical extrusions [17] to base plates [16], see detail D on general info page.
- 2) Attach horizontal extrusions [19 and 20] between vertical extrusions [2 and 17].
- 3) Attach vertical extrusions [21] between horizontal extrusions [19 and 20], leave loose.



WHEN DISASSEMBLING ALUMINUM EXTRUSION, TIGHTEN ALL SETSCREWS AND LOCKS TO PREVENT LOSS DURING SHIPPING

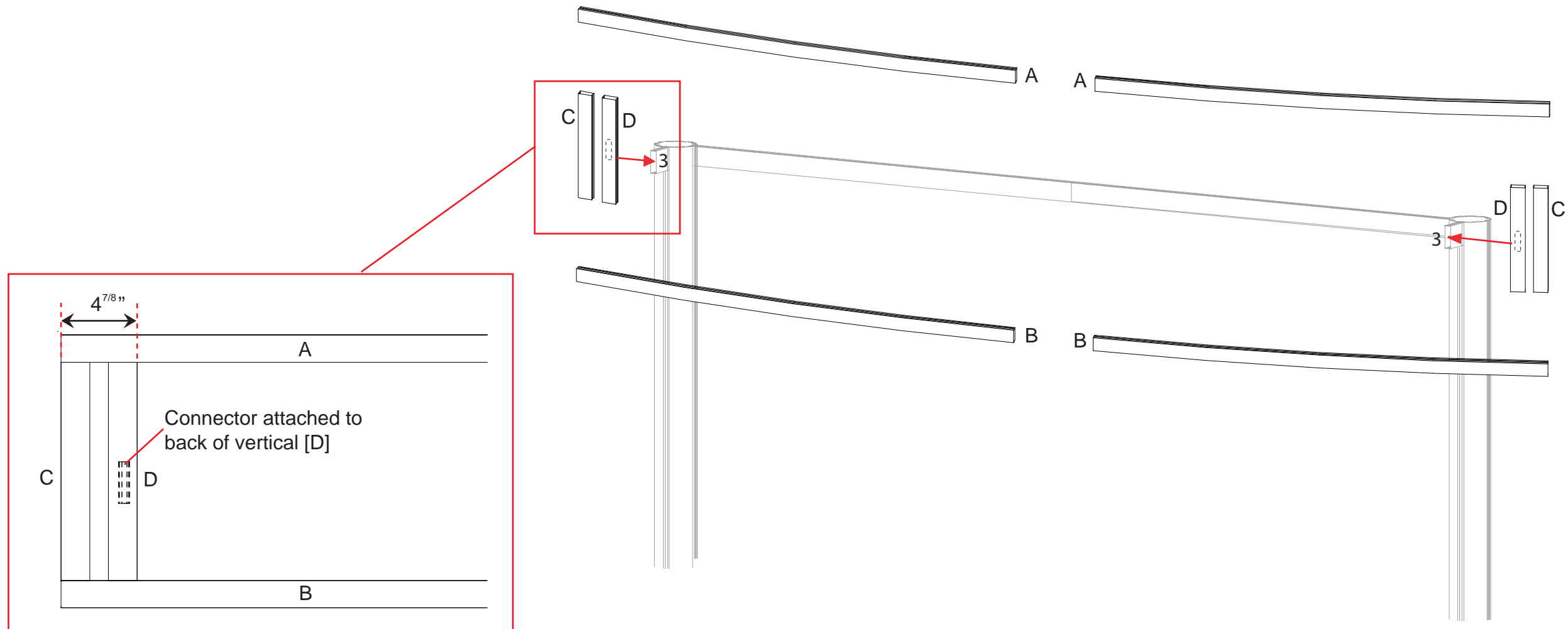
866.652.2100

Item	Quantity	Description
A	2	Curved Extrusion
B	2	Curved Extrusion
C	2	Horizontal Extrusion
D	2	Horizontal Extrusion w/ Connector Attached to Back of Extrusion



Steps:

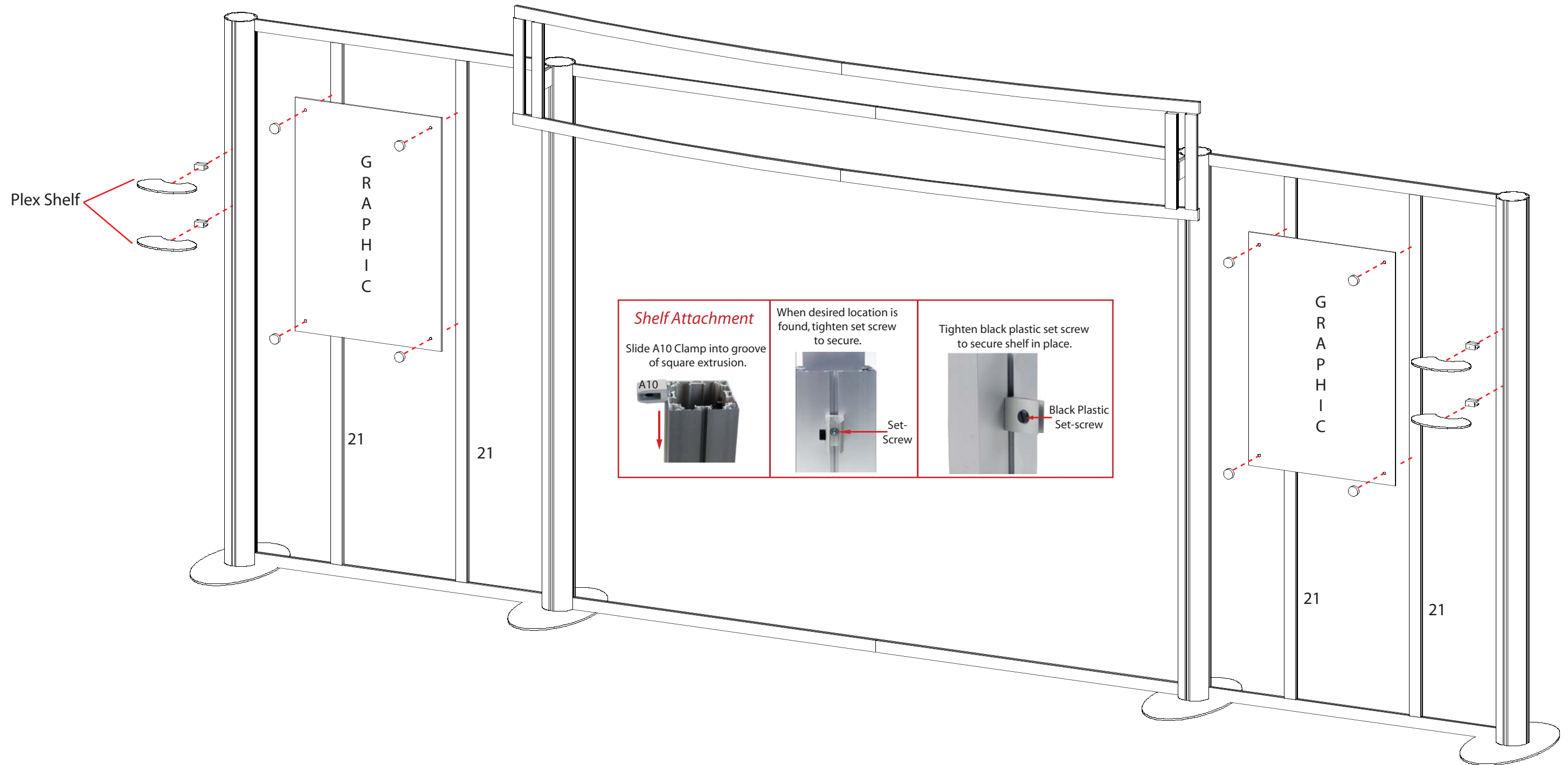
- 1) Connect curved horizontal extrusions together [A to A and B to B].
- 2) Attach vertical extrusions [C and D] between horizontal assemblies, see detail below.
- 3) Apply pillow case graphic to assembled frame.
- 4) Attach assembled header w/ graphic to connectors [D to 3] as shown.



WHEN DISASSEMBLING ALUMINUM EXTRUSION, TIGHTEN ALL SETSCREWS AND LOCKS TO PREVENT LOSS DURING SHIPPING

Steps:

- 1) Attach graphics to vertical extrusions [21] using standoff caps, then tighten vertical extrusions [21] in place.
- 2) Attach plex shelves to vertical extrusions [17] using A10 clamps, see shelf attachment detail.



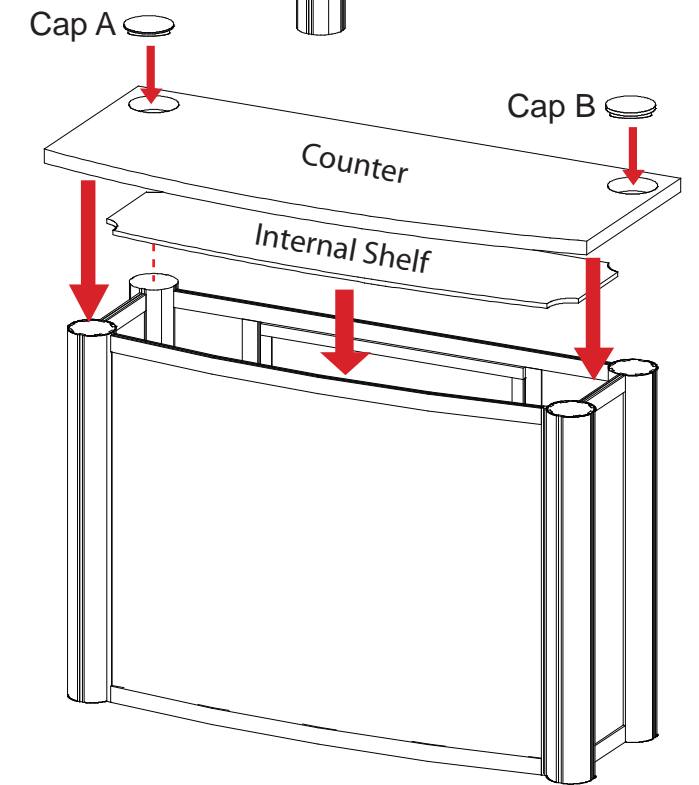
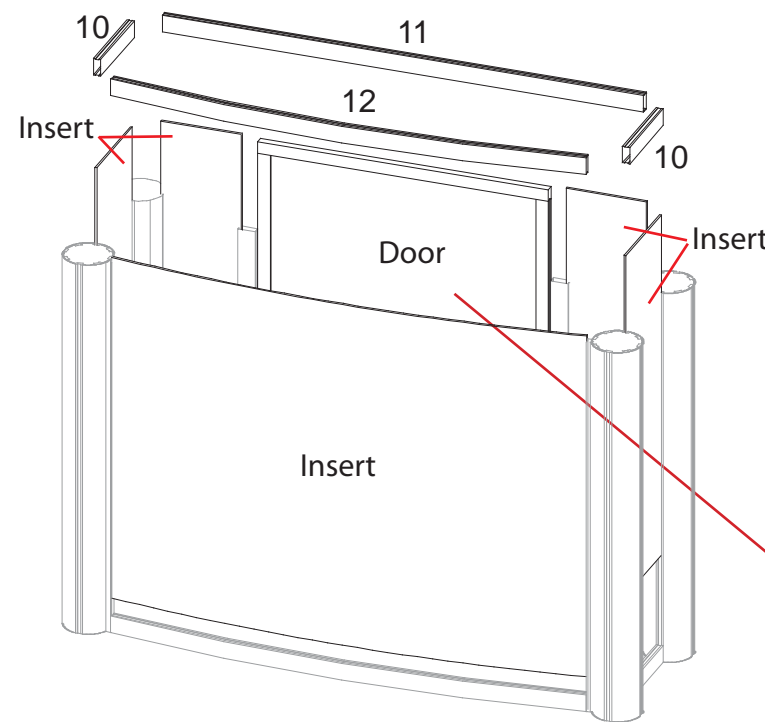
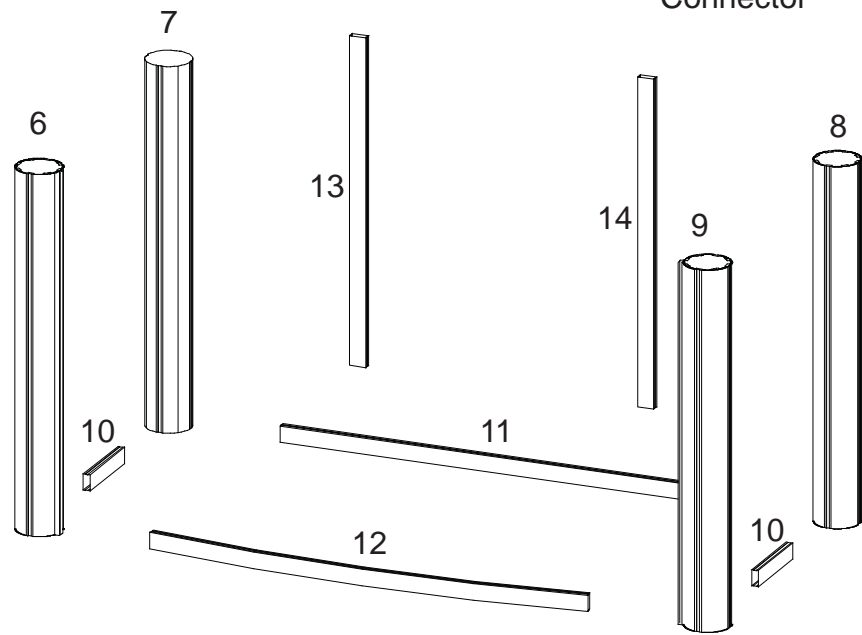
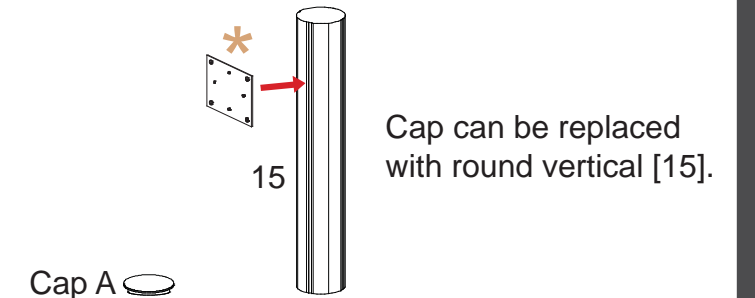
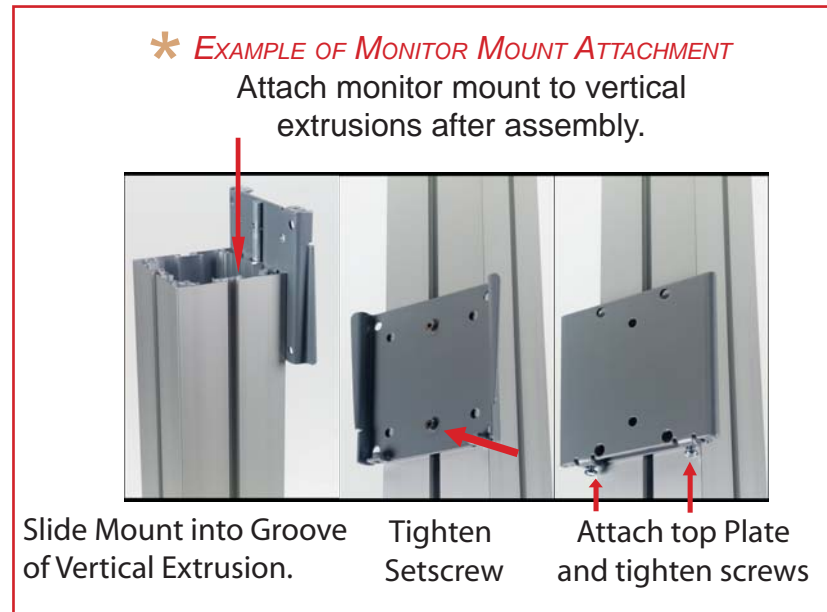
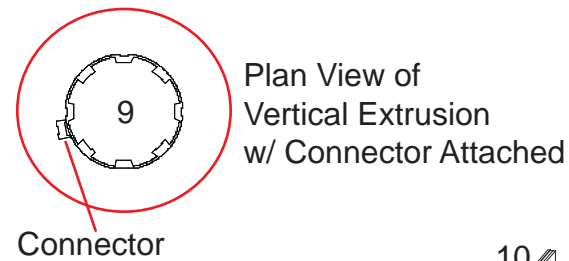
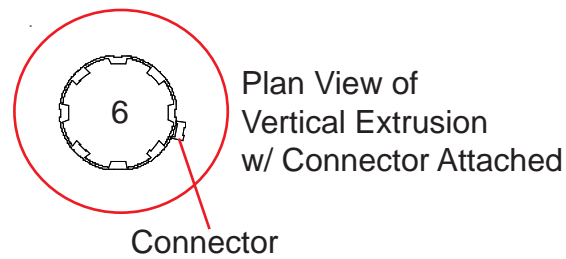
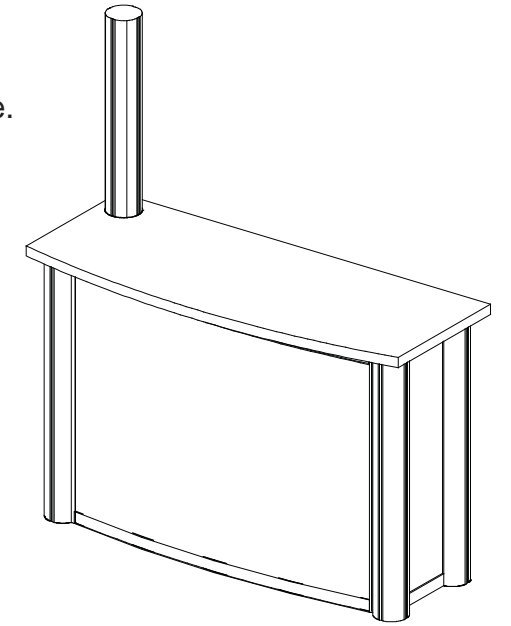
WHEN DISASSEMBLING ALUMINUM EXTRUSION, TIGHTEN ALL SETSCREWS AND LOCKS TO PREVENT LOSS DURING SHIPPING

866.652.2100

Item	Qty.	Description
6	1	40"h Vertical Extrusion
7	1	40.5"h Vertical Extrusion
8	1	40"h Vertical Extrusion
9	1	40"h Vertical Extrusion
10	4	9"w Horizontal Extrusion
11	2	49"w Horizontal Extrusion
12	2	48.6221"w Curved Horizontal Extrusion
13	1	36.418"h Vertical Extrusion w/ Door Hinges
14	1	36.418"h Vertical Extrusion w/ Door Stopper
15	1	29.5"h Upper Vertical Extrusion

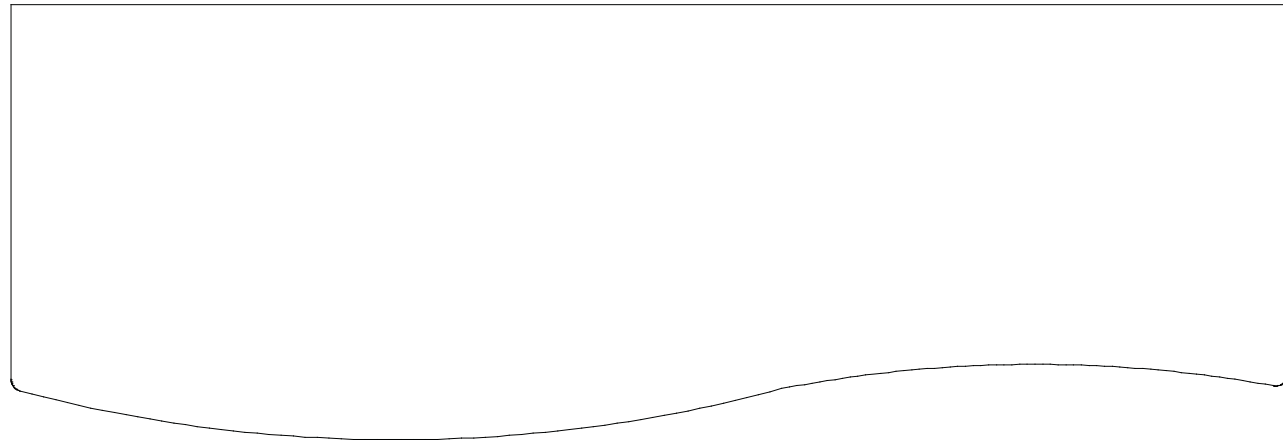
Steps:

- 1) Attach horizontal extrusions [10, 11 and 12] between vertical extrusions [6, 7, 8 and 9].
- 2) Attach vertical extrusions [13 and 14] to horizontal extrusion [11], leave loose.
- 3) Place inserts and door between vertical extrusions as shown, then tighten vertical extrusions [13 and 14] in place.
- 4) Attach horizontal extrusions [10, 11 and 12] between vertical extrusions [6, 7, 8 and 9] and atop inserts and door.
- 5) Velcro shelf supports to inside of assembled base.
- 6) Place internal shelf atop supports.
- 7) Set counter top on assembled pedestal as shown.
- 8) Attach upper round extrusion [15] atop vertical extrusion [7].

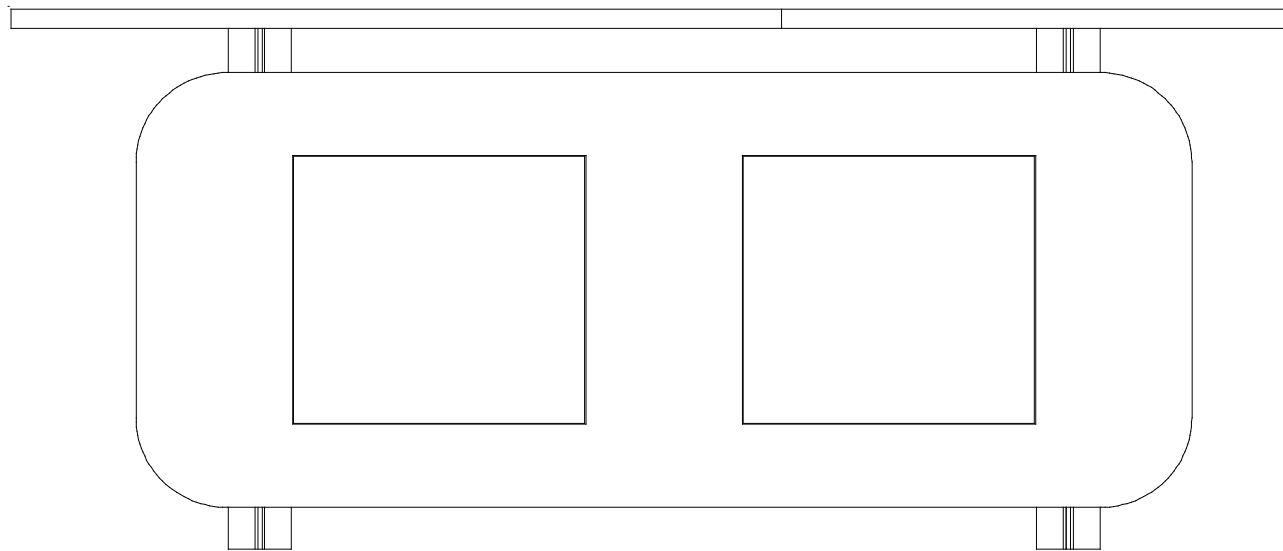
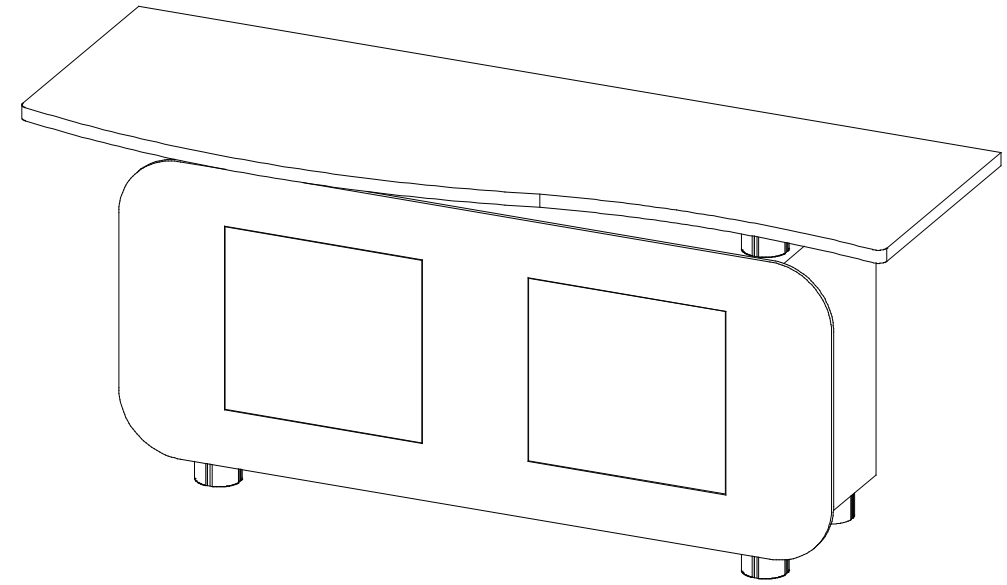


WHEN DISASSEMBLING ALUMINUM EXTRUSION, TIGHTEN ALL SETSCREWS AND LOCKS TO PREVENT LOSS DURING SHIPPING

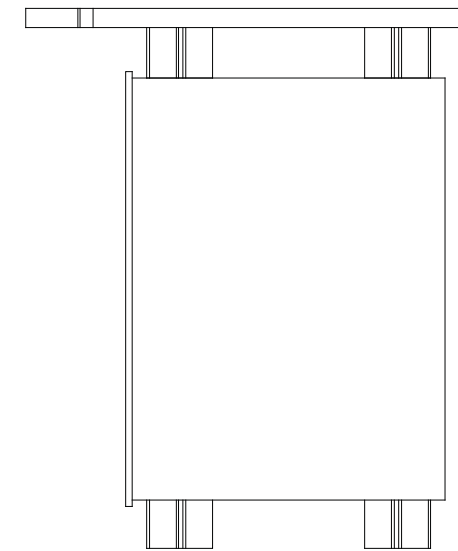
866.652.2100



Top View



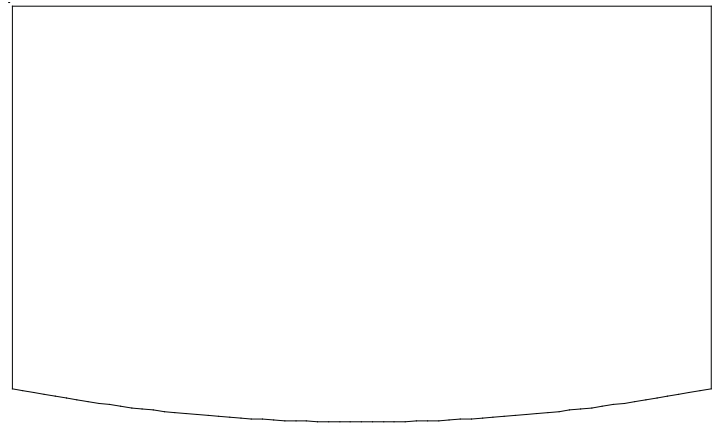
Front View



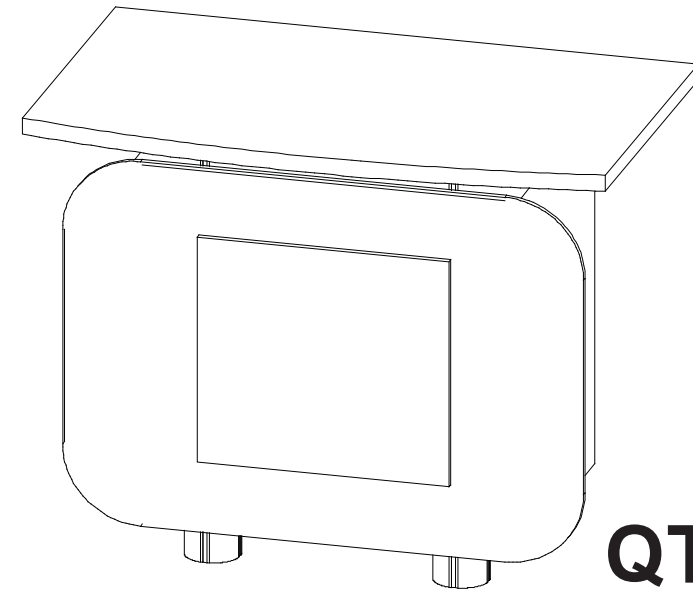
Side View

WHEN DISASSEMBLING ALUMINUM EXTRUSION, TIGHTEN ALL SETSCREWS AND LOCKS TO PREVENT LOSS DURING SHIPPING

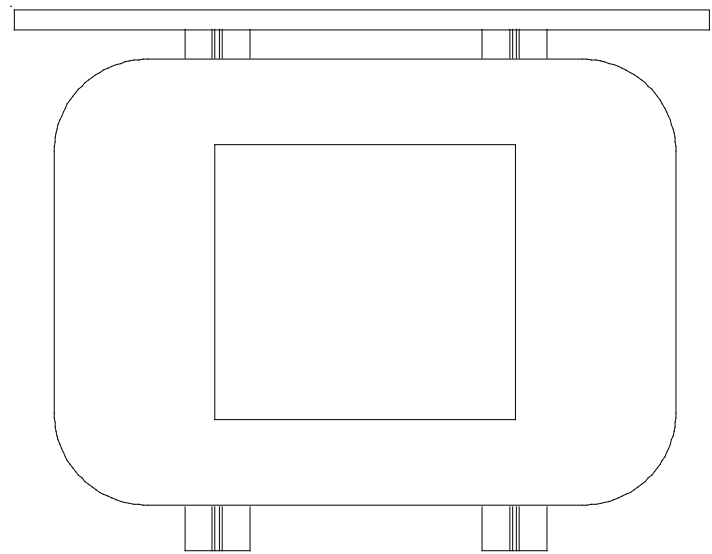
866.652.2100



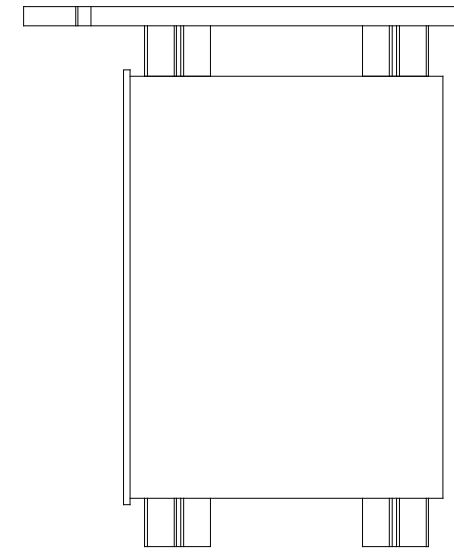
Top View



QTY. 2



Front View



Side View

WHEN DISASSEMBLING ALUMINUM EXTRUSION, TIGHTEN ALL SETSCREWS AND LOCKS TO PREVENT LOSS DURING SHIPPING