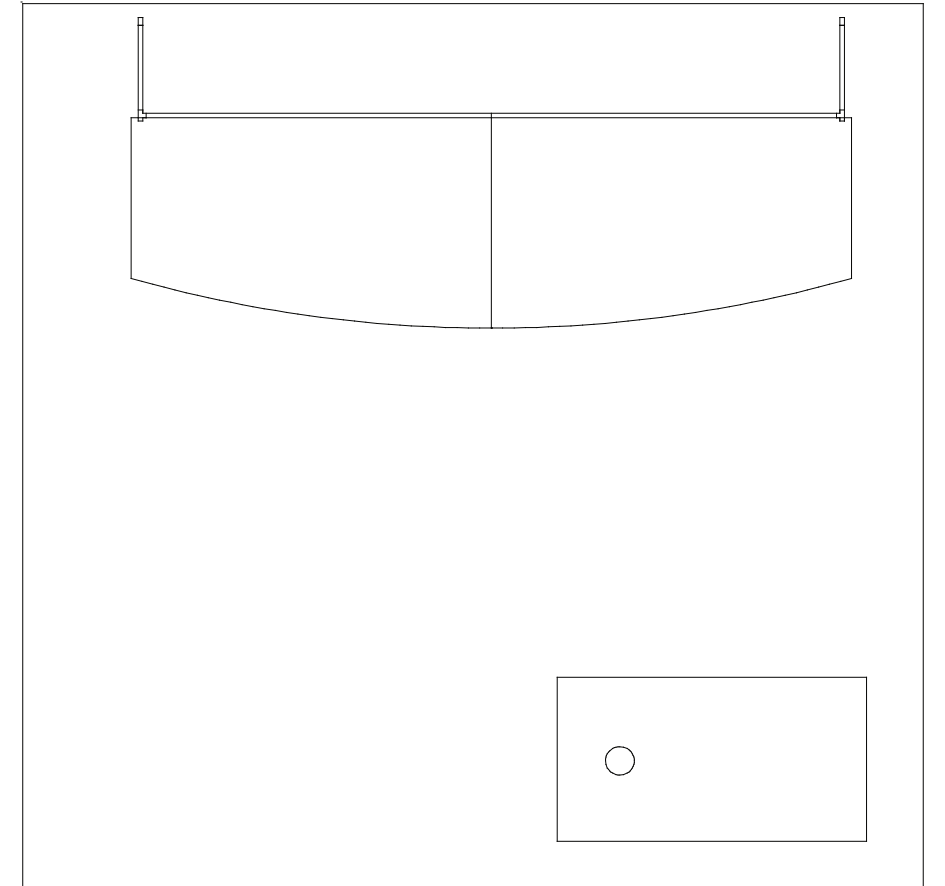
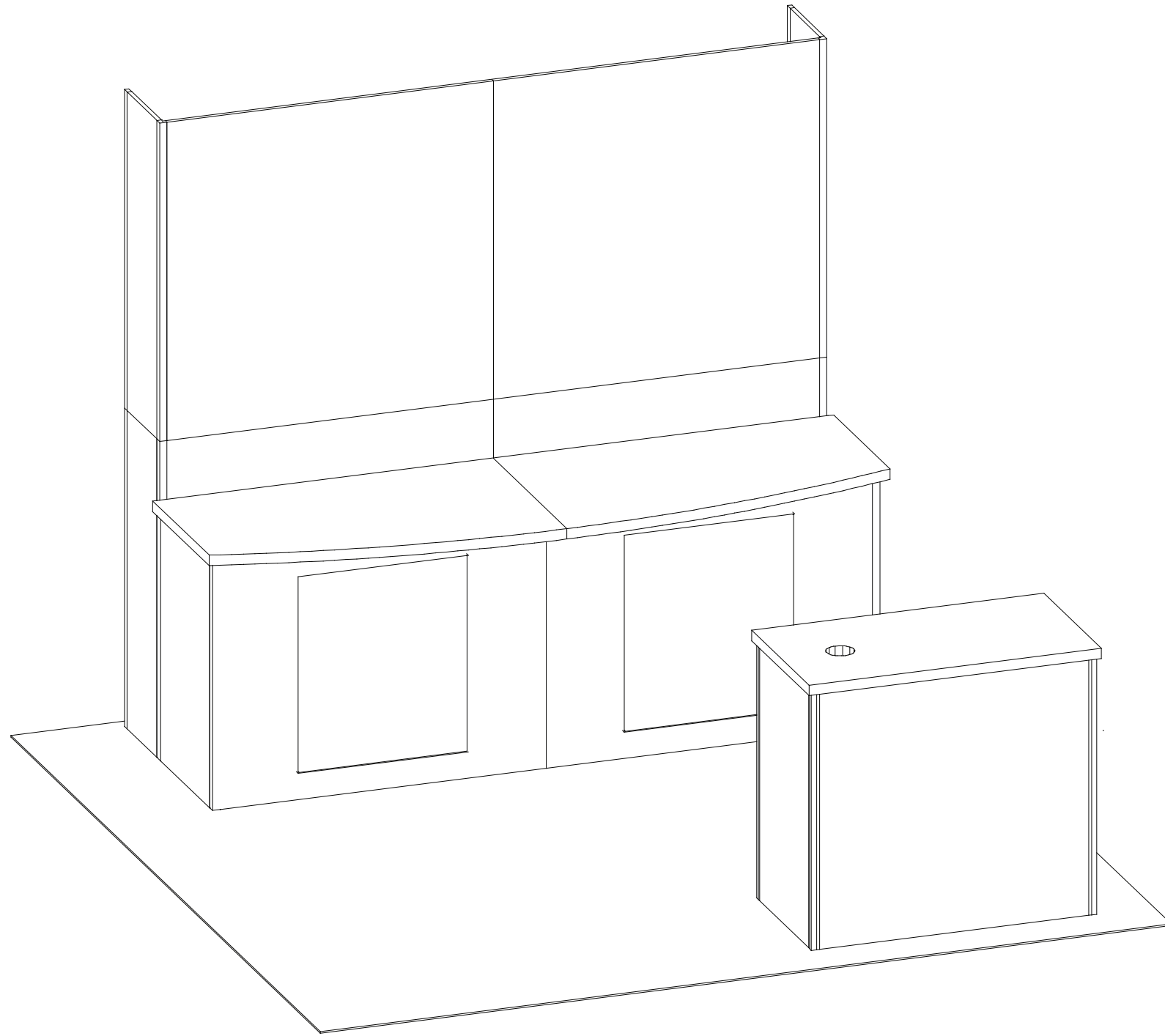


# euro It | *HYBRIDS*

866.652.2100



# euro It | HYBRIDS

## Euro LT Hybrids General Setup Instructions

### Using Your Setup Instructions

The Euro LT Hybrids Setup Instructions are created specifically for your configuration. They are laid out sequentially in levels, including exploded views, and a logical series of detailed steps to assemble the main structure and components. We encourage you to study the instructions **before** attempting to assemble your exhibit.

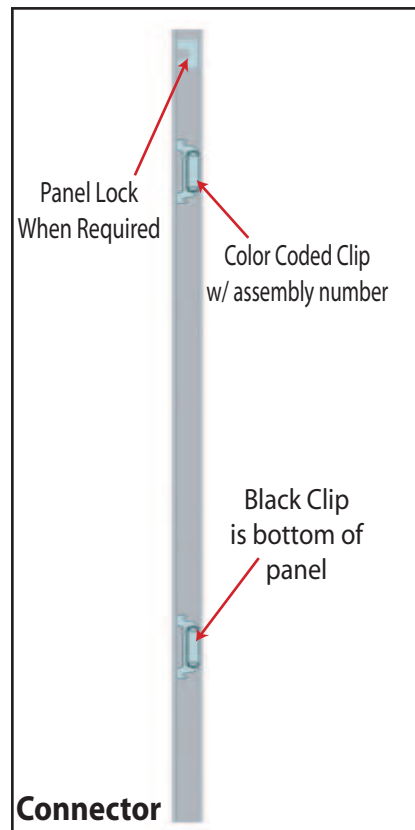
### Cleaning and Packing Your Display

- 1) When cleaning laminate countertops or panels use mild cleansers and a soft material such as cotton.
- 2) Keep all display components away from extreme heat and long exposure to sunlight to avoid warping and fading.
- 3) Retain all packing material. It will make re-packing much easier and will reduce the likelihood of shipping damage.

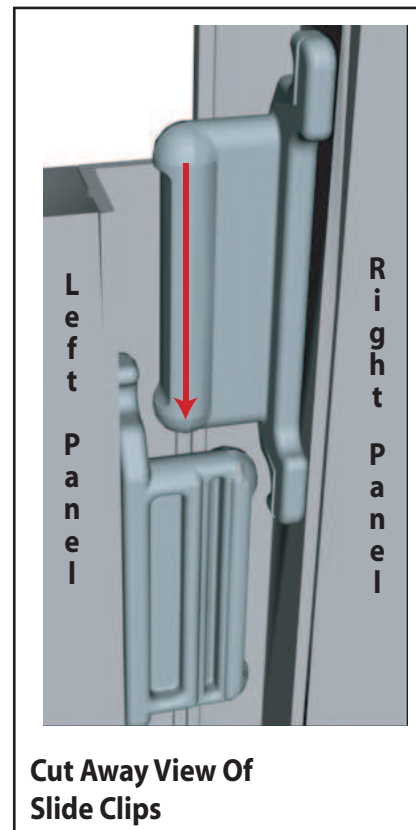
Level 1 = Blue  
 Level 2 = Red  
 Level 3 = Green  
 Level 4 = Black

#### Color Code

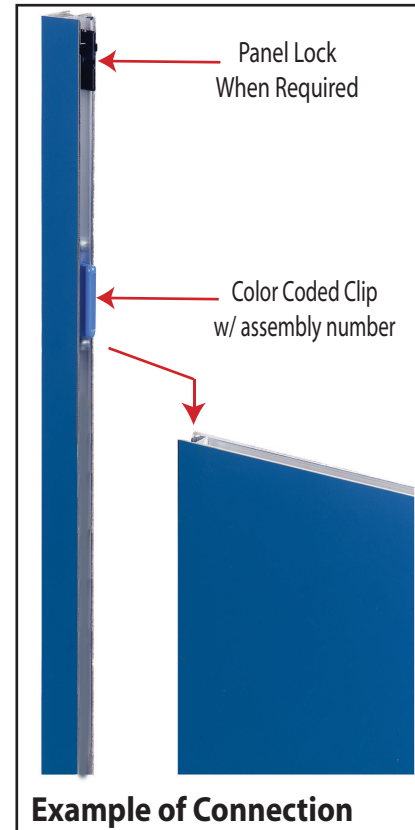
The top clip is color coded to distinguish the level. The color coded clip also contains the numbered label



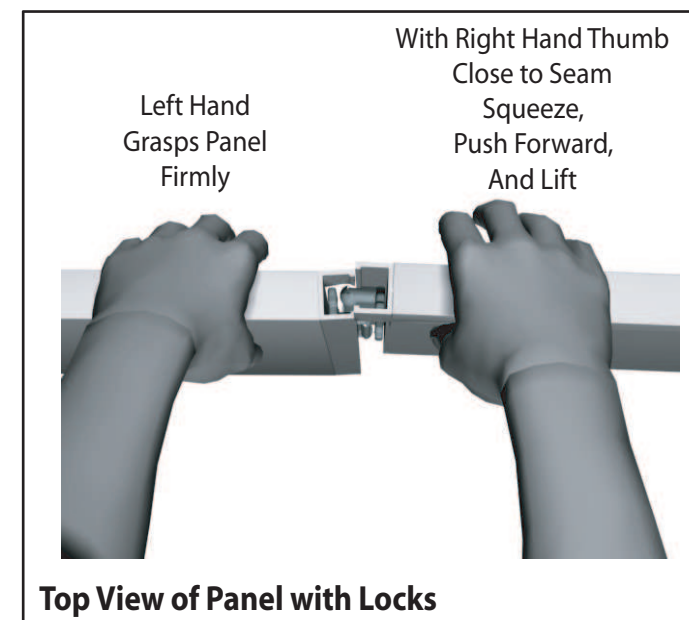
Each component has 2 clips, the lower clip is ALWAYS black..



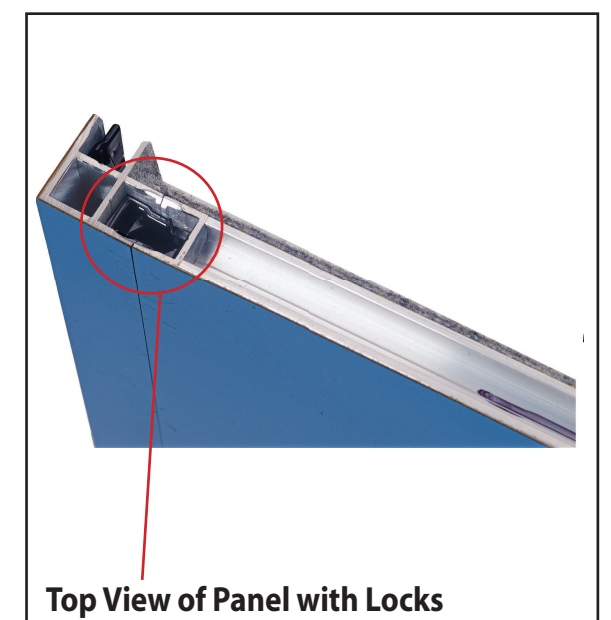
Components connect together by aligning them and sliding downward connecting clips together.



Configurations are assembled from left to right, usually starting with #1 and following the numbered sequence.



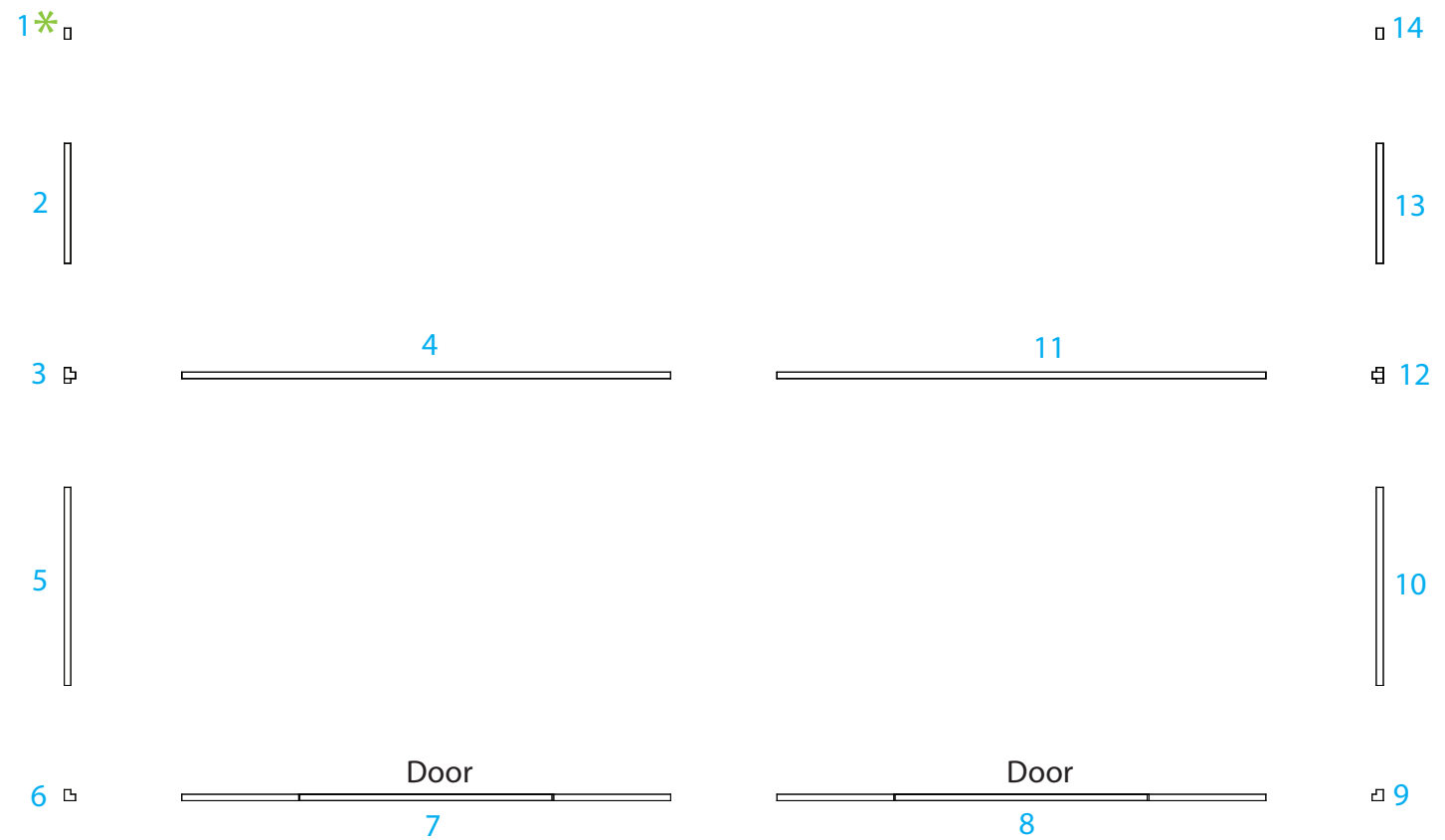
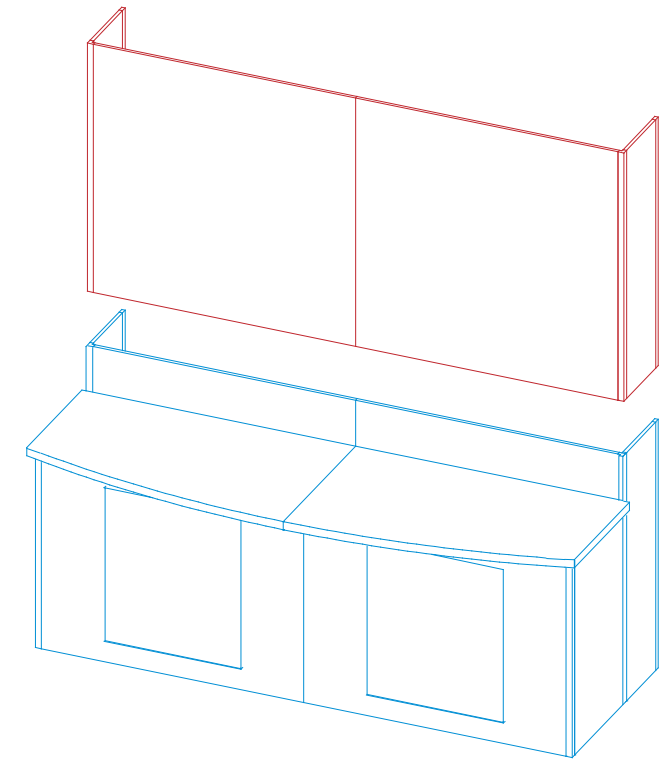
The first level of components contains panel locks that are located at the top of the panel for extra stability and a seamless connection. When disassembling panels, twist top connection slightly and lift right panel upward.



866.652.2100

Item Number	Description
1	46" h End Cap
2	11.5" w x 46" h Flat Panel w/ Wood Core
3	46" h 3-way Connector
4	46" w x 46" h Flat Panel
5	19" w x 36" h Flat Panel
6	36" h 90° Connector
7	46" w x 36" h Door Panel
8	46" w x 36" h Door Panel
9	36" h 90° Connector
10	19" w x 36" h Flat Panel
11	46" w x 46" h Flat Panel
12	46" h 3-way Connector
13	11.5" w x 46" h Flat Panel w/ Wood Core
14	46" h End Cap

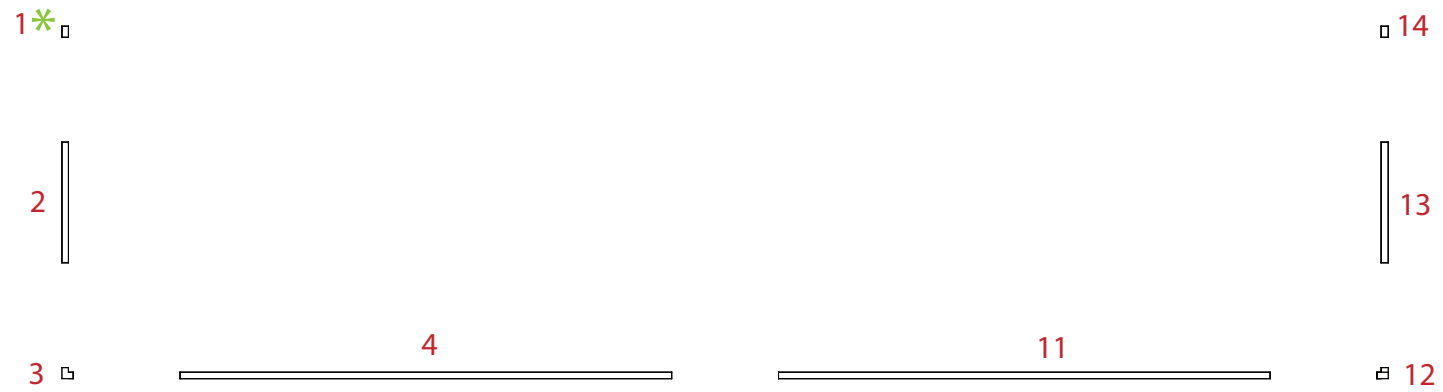
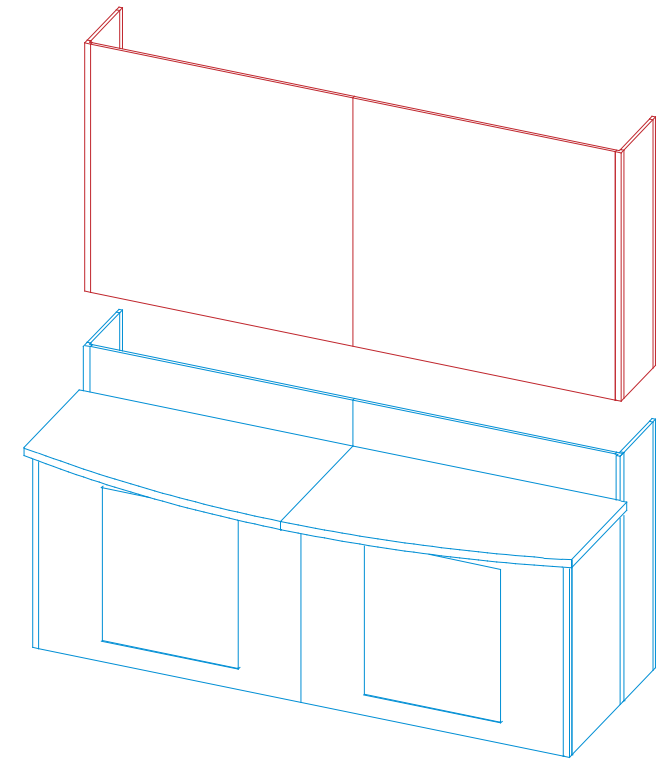
Steps:  
 1) Assemble by starting at panel #1\* and continue in numerical order.



866.652.2100

Item Number	Description
1	46" h End Cap
2	11.5" w x 46" h Flat Panel w/ Wood Core
3	46" h 90° Connector
4	46" w x 46" h Flat Panel
11	46" w x 46" h Flat Panel
12	46" h 90° Connector
13	11.5" w x 46" h Flat Panel w/ Wood Core
14	46" h End Cap

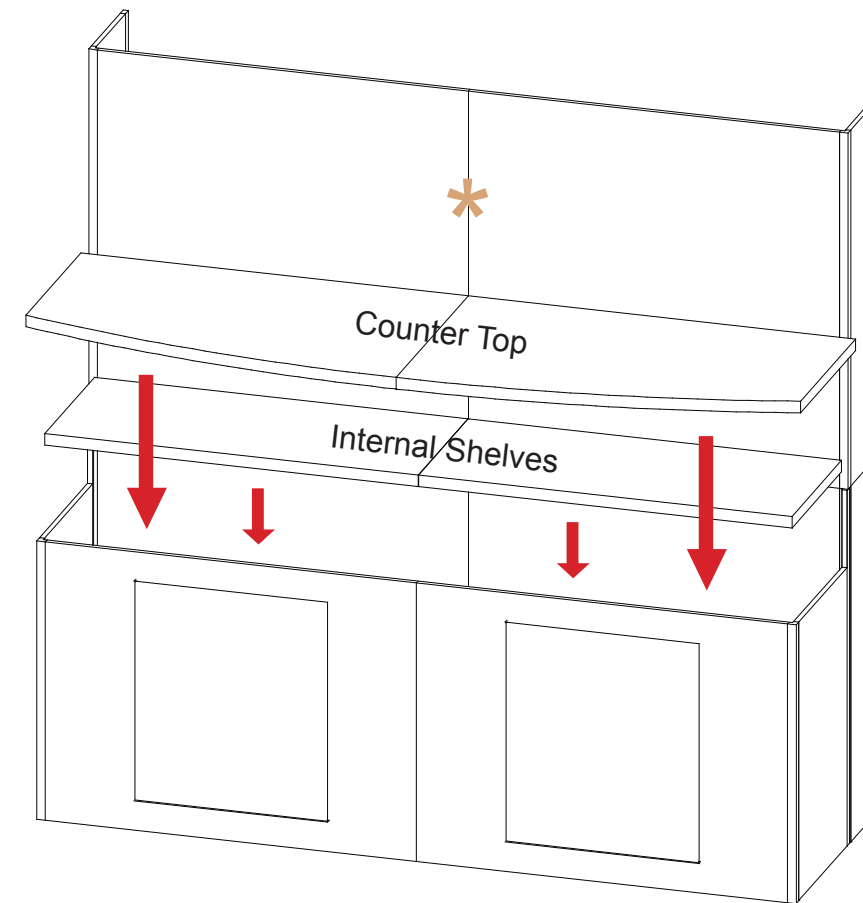
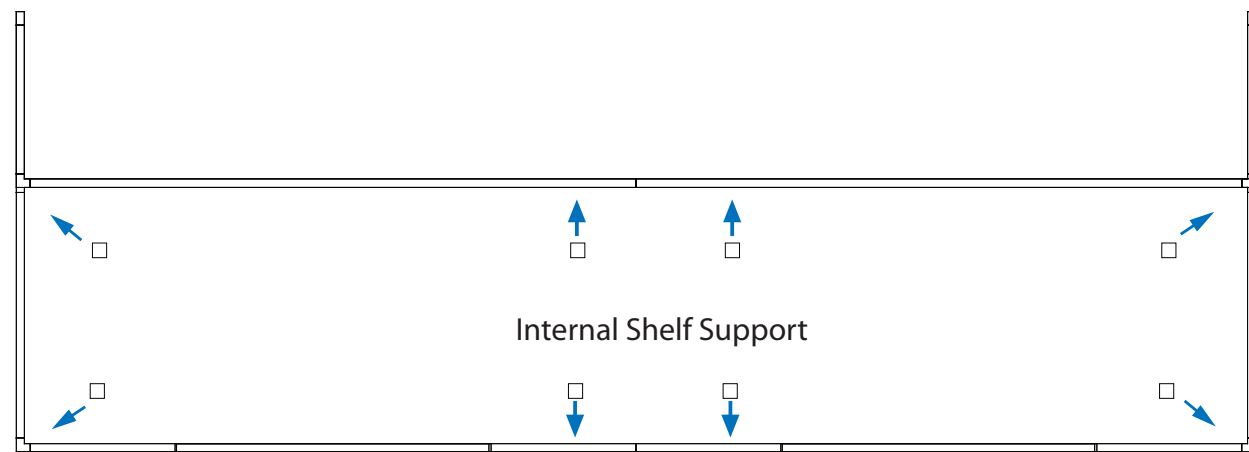
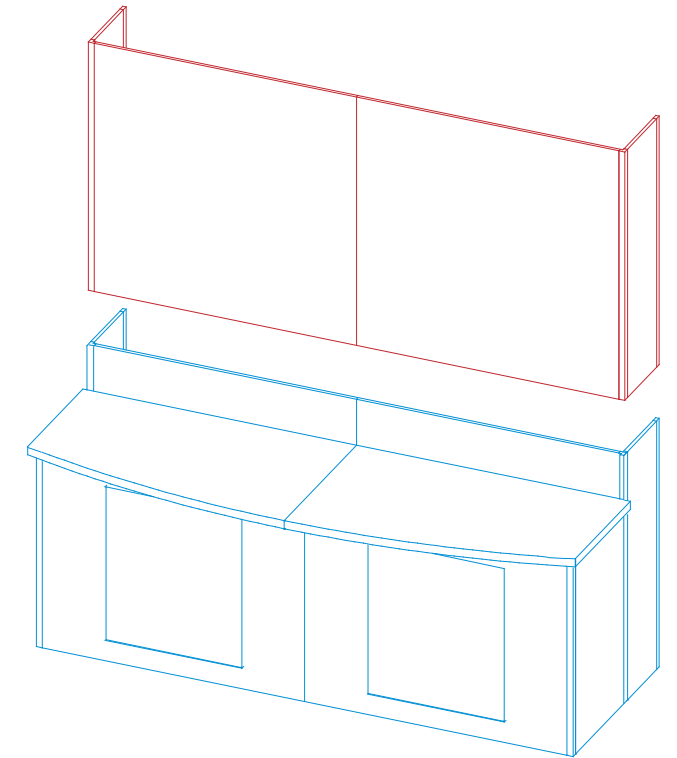
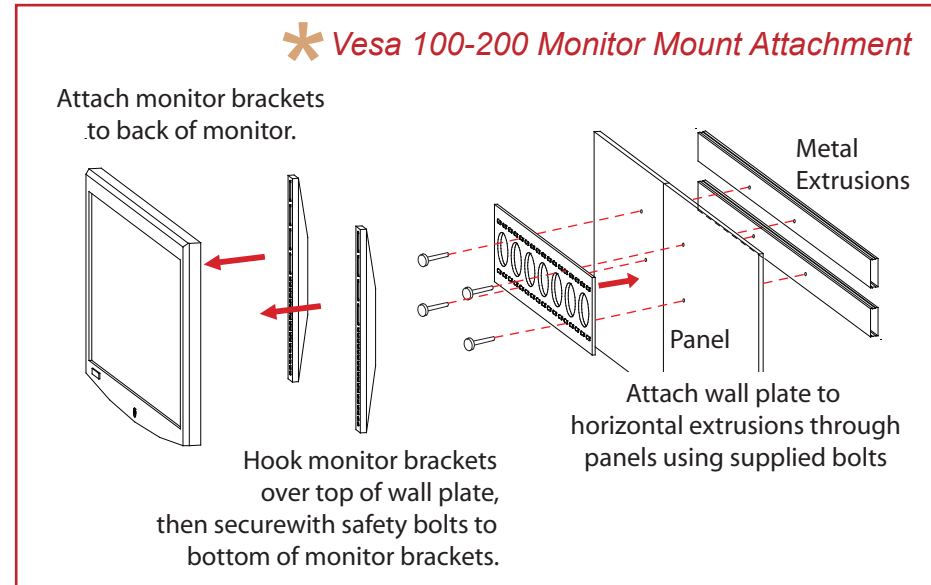
Steps:  
 1) Assemble by starting at panel #1\* and continue in numerical order.



866.652.2100

Steps:

- 1) Velcro internal shelf supports to inside of assembled pedestal as shown.
- 2) Set internal shelves atop supports.
- 3) Place counter top on assembled pedestal.



866.652.2100

Item Number	Description
15	38" w x 38" h Door Panel
16	38" h 90° Connector
17	19" w x 38" h Flat Panel
18	38" h 90° Connector
19	38" w x 38" h Door Panel
20	38" h 90° Connector
21	19" w x 38" h Flat Panel
22	38" h 90° Connector

Steps:  
 1) Assemble by starting at panel #15\* and continue in numerical order.

