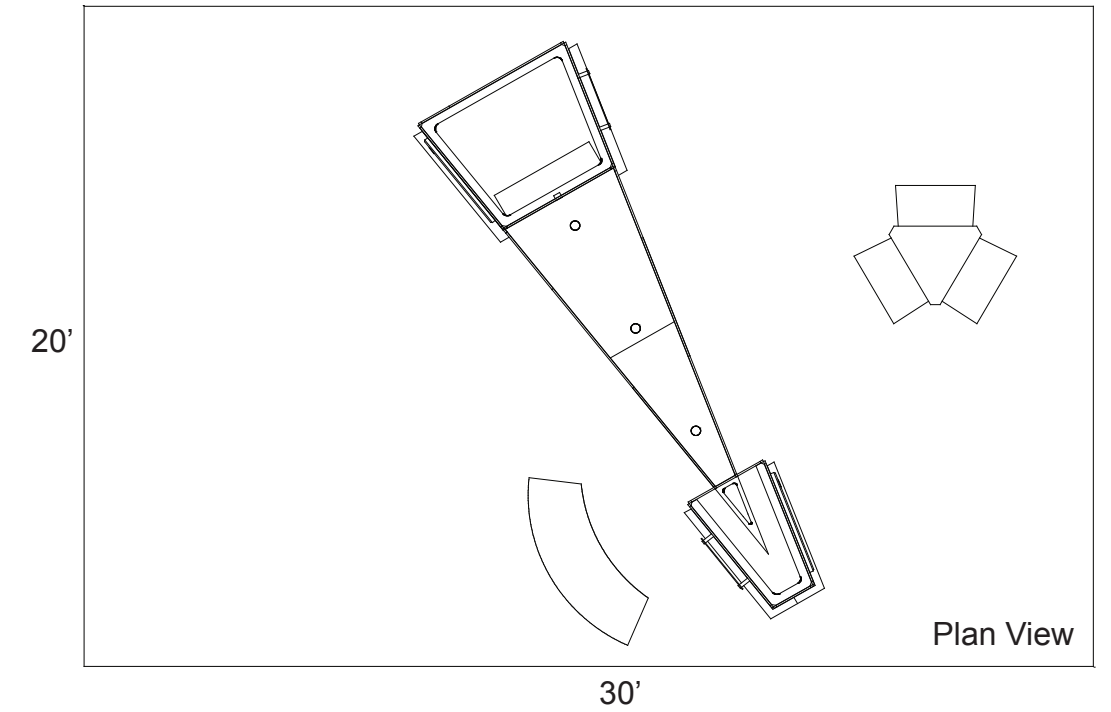
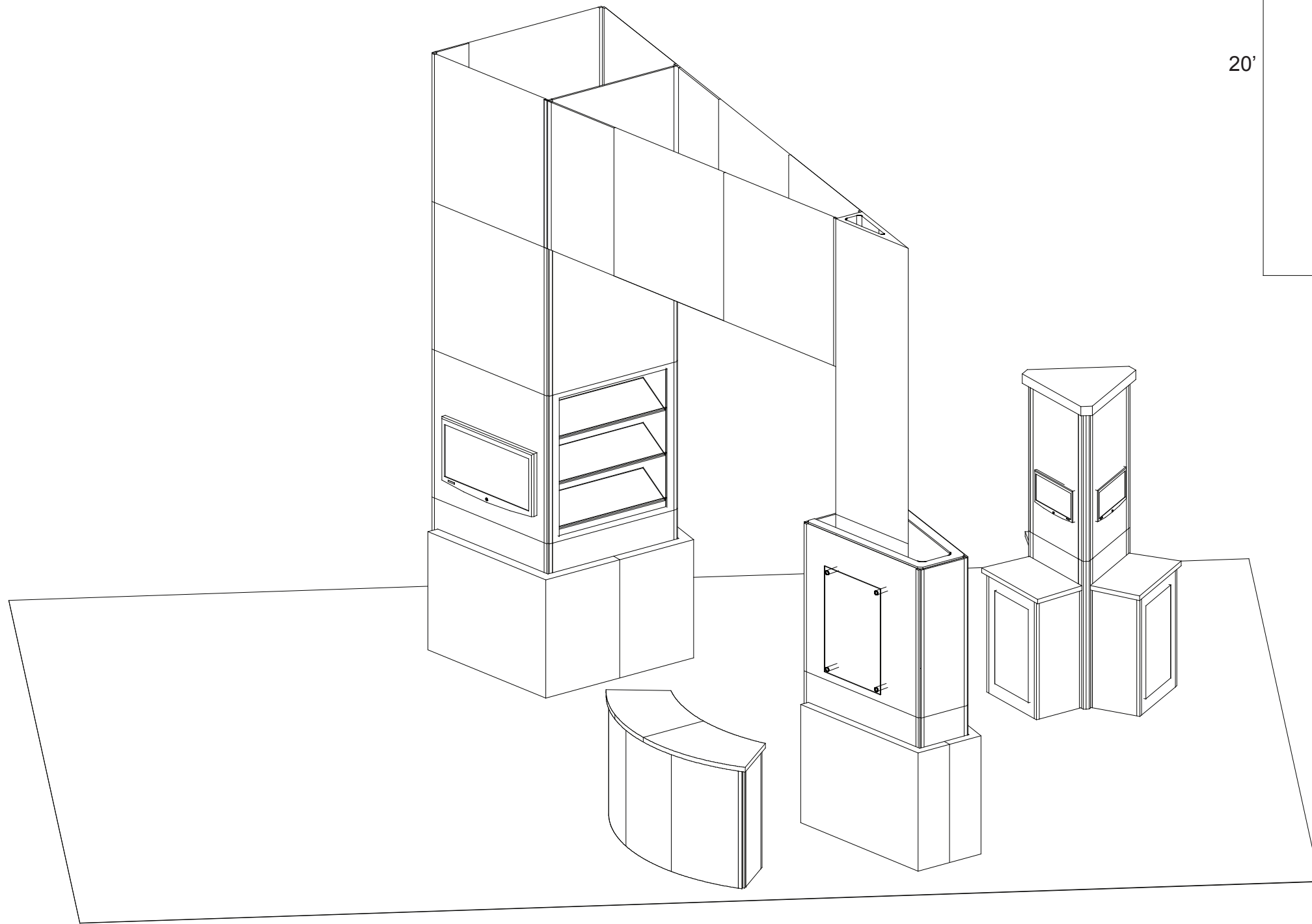


euro It | HYBRIDS

866.652.2100



euro lt | HYBRIDS

Euro LT Hybrids General Setup Instructions

Using Your Setup Instructions

The Euro LT Hybrids Setup Instructions are created specifically for your configuration. They are laid out sequentially in levels, including exploded views, and a logical series of detailed steps to assemble the main structure and components. We encourage you to study the instructions **before** attempting to assemble your exhibit.

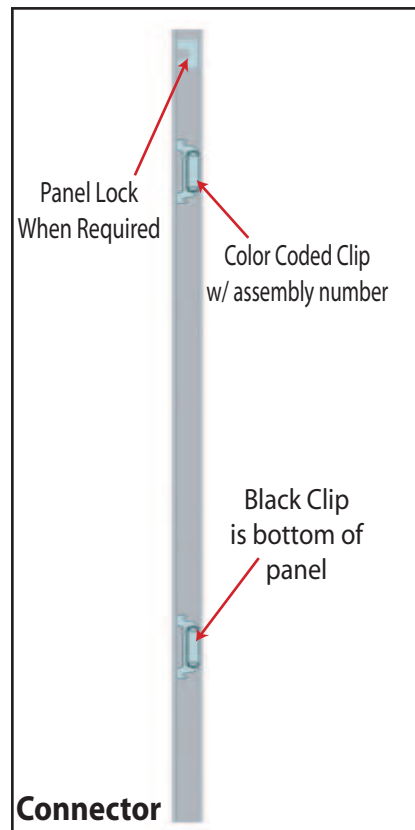
Cleaning and Packing Your Display

- 1) When cleaning laminate countertops or panels use mild cleansers and a soft material such as cotton.
- 2) Keep all display components away from extreme heat and long exposure to sunlight to avoid warping and fading.
- 3) Retain all packing material. It will make re-packing much easier and will reduce the likelihood of shipping damage.

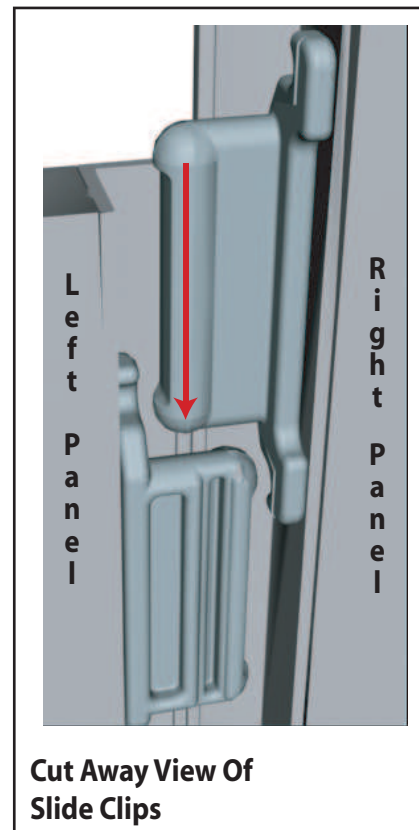
Level 1 = Blue
 Level 2 = Red
 Level 3 = Green
 Level 4 = Black

Color Code

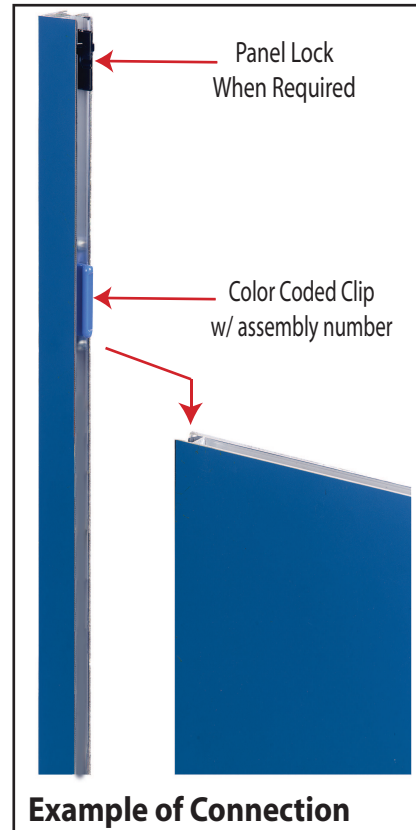
The top clip is color coded to distinguish the level. The color coded clip also contains the numbered label



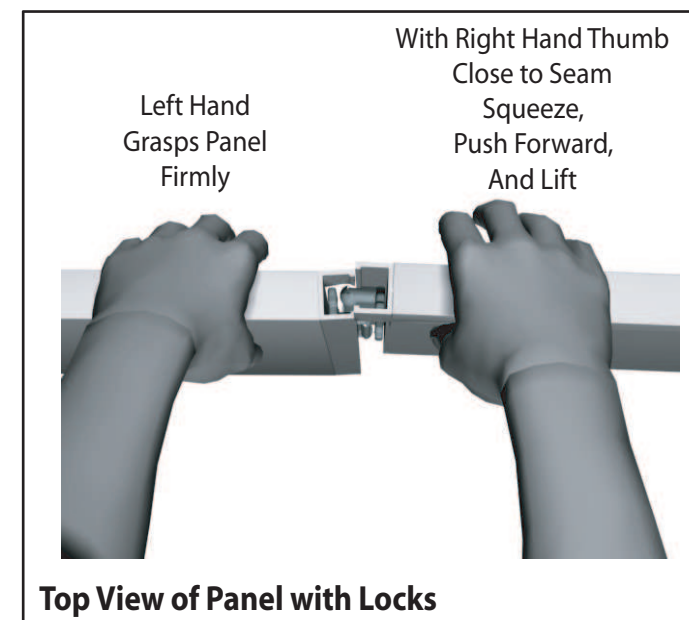
Each component has 2 clips, the lower clip is ALWAYS black..



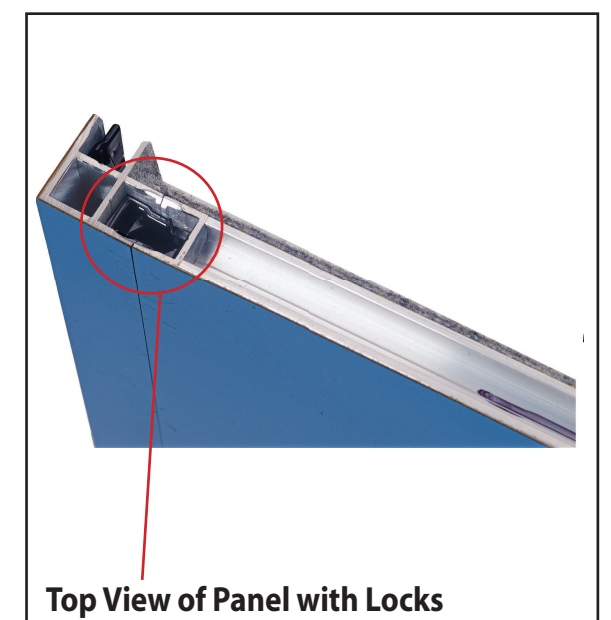
Components connect together by aligning them and sliding downward connecting clips together.



Configurations are assembled from left to right, usually starting with #1 and following the numbered sequence.



The first level of components contains panel locks that are located at the top of the panel for extra stability and a seamless connection. When disassembling panels, twist top connection slightly and lift right panel upward.

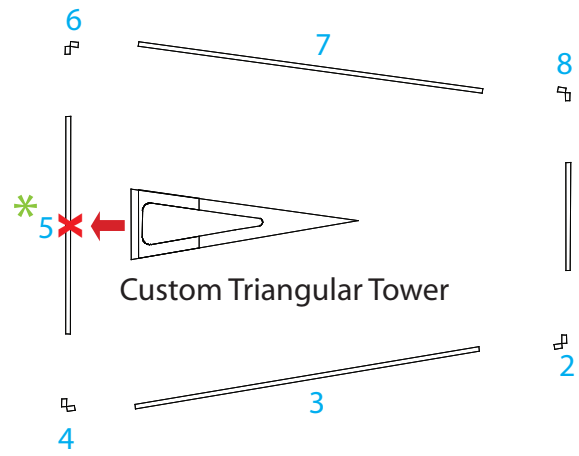
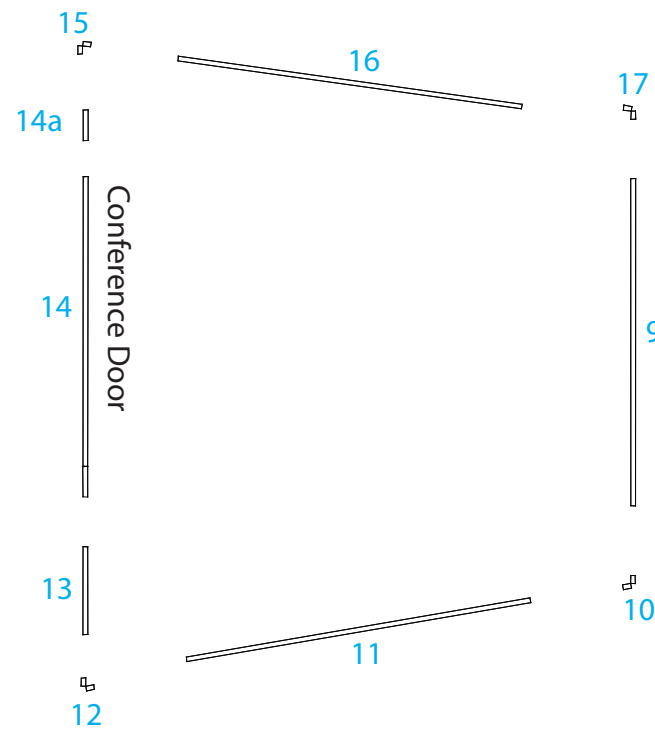


Item Number	Description
1	14.125"w x 47.5"h Flat Panel
2	47.5"h Flex Connector
3	46"w x 47.5"h Flat Panel
4	47.5"h Flex Connector
5	28"w x 47.5"h Flat Panel
6	47.5"h Flex Connector
7	46"w x 47.5"h Flat Panel w/ Cut Out Hole
8	47.5"h Flex Connector

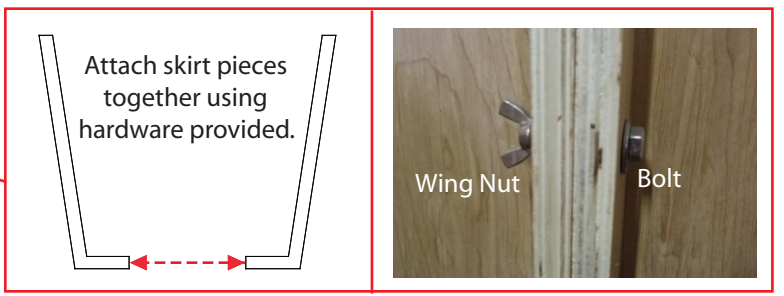
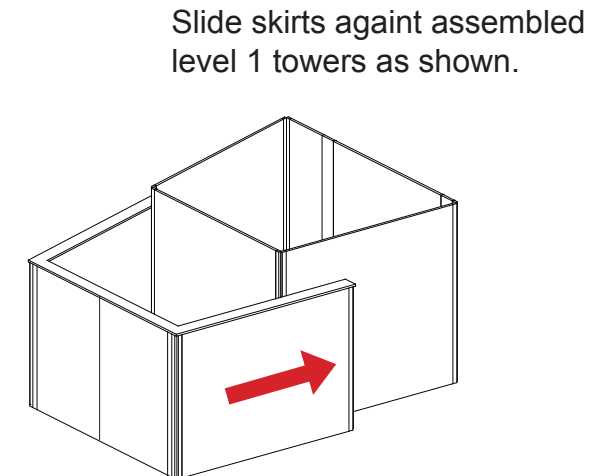
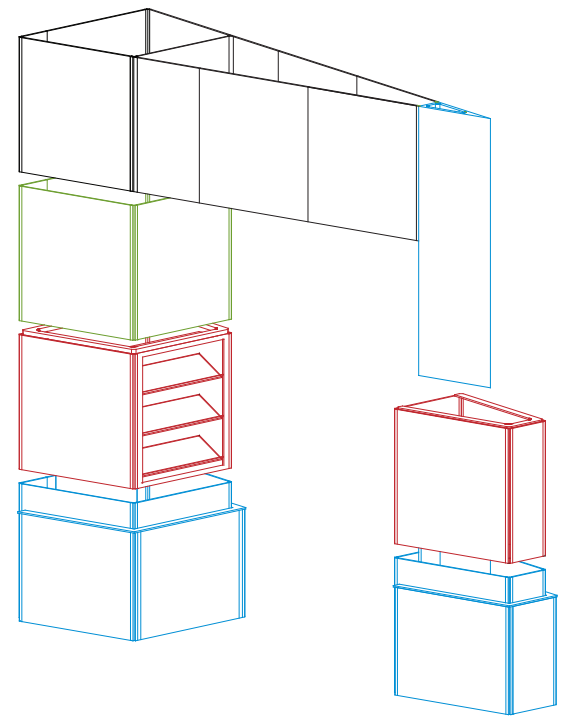
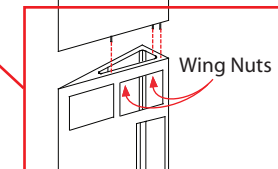
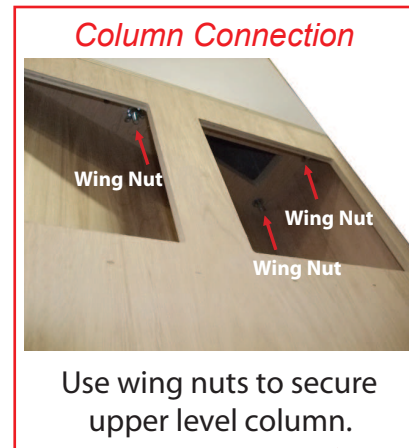
Item Number	Description
9	42.8415"w x 47.5"h Flat Panel
10	47.5"h Flex Connector
11	46"w x 47.5"h Flat Panel
12	47.5"h Flex Connector
13	11.5"w x 47.5"h Flat Panel
14	47.5"h Lower Conference Door
15	47.5"h Flex Connector
16	46"w x 47.5"h Flat Panel
17	47.5"h Flex Connector

Steps:

1) Assemble by attaching panel #5 * to triangle tower and continue assembling around triangular tower in numerical order.

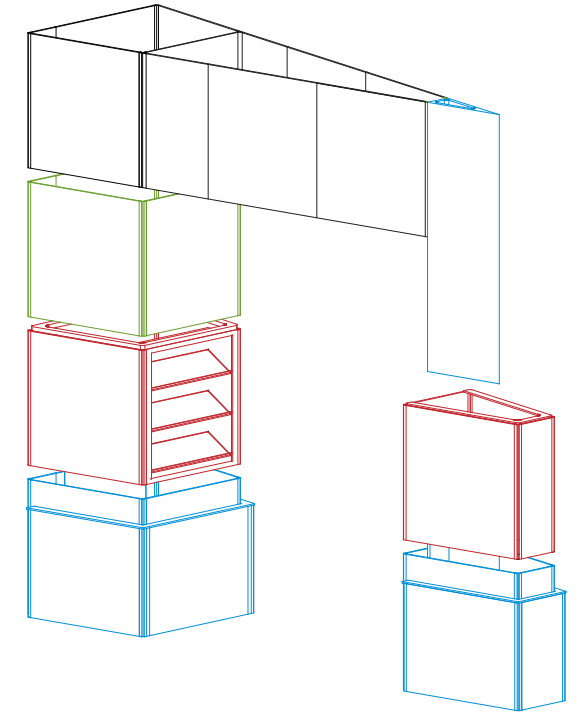


X = Thumbscrew Location



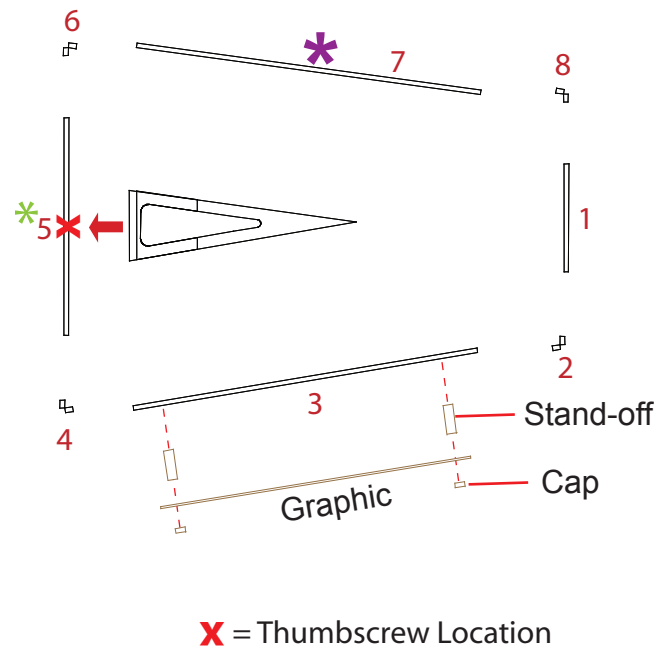
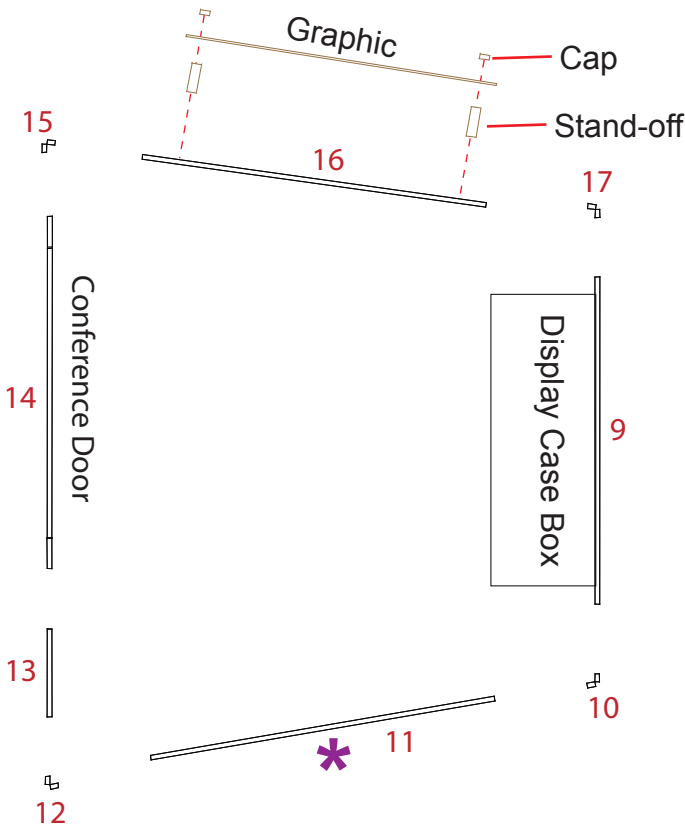
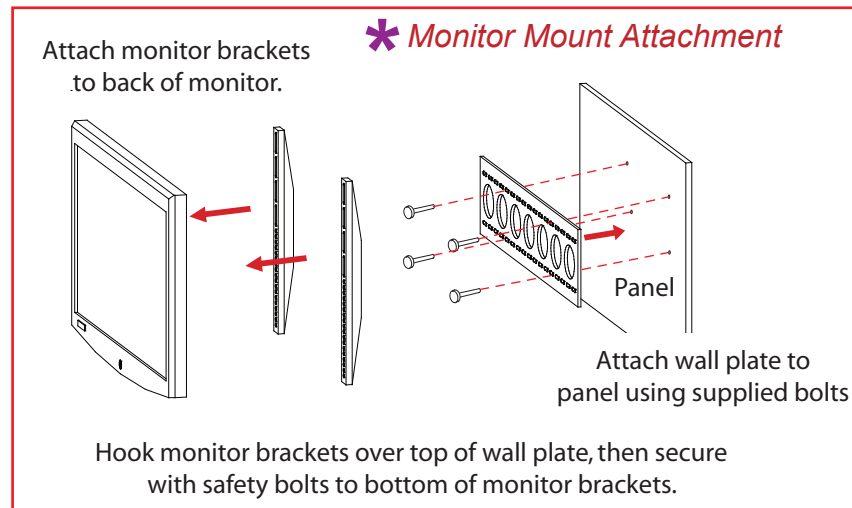
866.652.2100

Item Number	Description	Item Number	Description
1	14.125" w x 47.5" h Flat Panel	9	42.8415" w x 47.5" h Display Case Box
2	47.5" h Flex Connector	10	47.5" h Flex Connector
3	46" w x 47.5" h Flat Panel w/ Wood Core for Graphic Attachment	11	46" w x 47.5" h Flat Panel w/ Wood Core for Monitor Mount Attachment
4	47.5" h Flex Connector	12	47.5" h Flex Connector
5	28" w x 47.5" h Flat Panel	13	11.5" w x 47.5" h Flat Panel
6	47.5" h Flex Connector	14	47.5" h Upper Conference Door
7	46" w x 47.5" h Flat Panel w/ Wood Core for Monitor Mount Attachment	15	47.5" h Flex Connector
8	47.5" h Flex Connector	16	46" w x 47.5" h Flat Panel w/ Wood Core for Graphic Attachment
		17	47.5" h Flex Connector

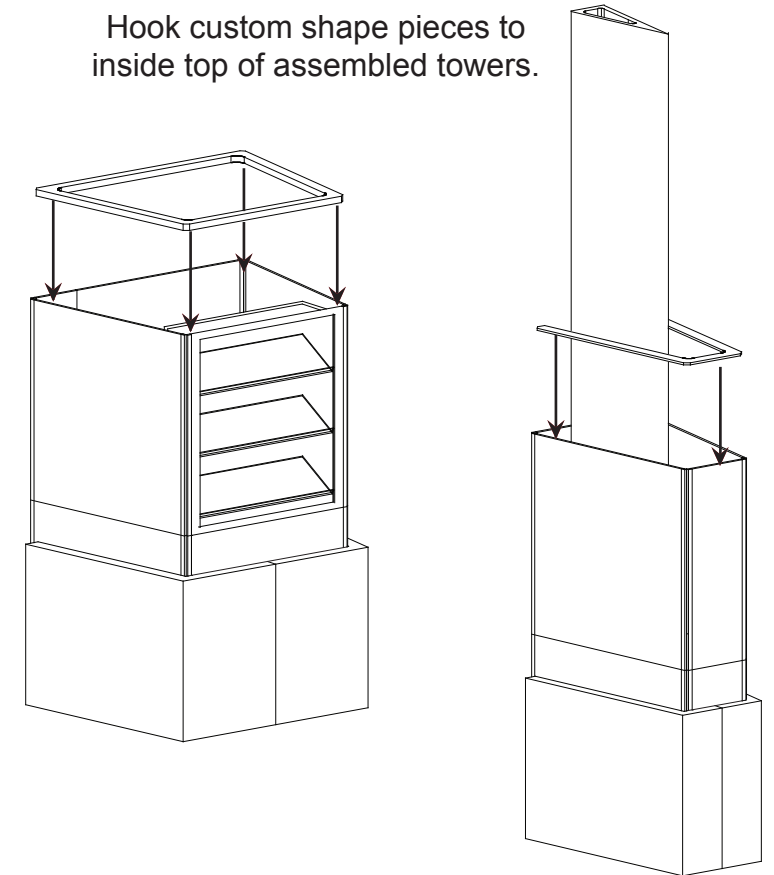


Steps:

- 1) Assemble by attaching panel #5* to triangle tower and continue assembling around triangular tower in numerical order.
- 2) Attach graphics as indicated
- 3) Attach monitor mounts as indicated



X = Thumbscrew Location

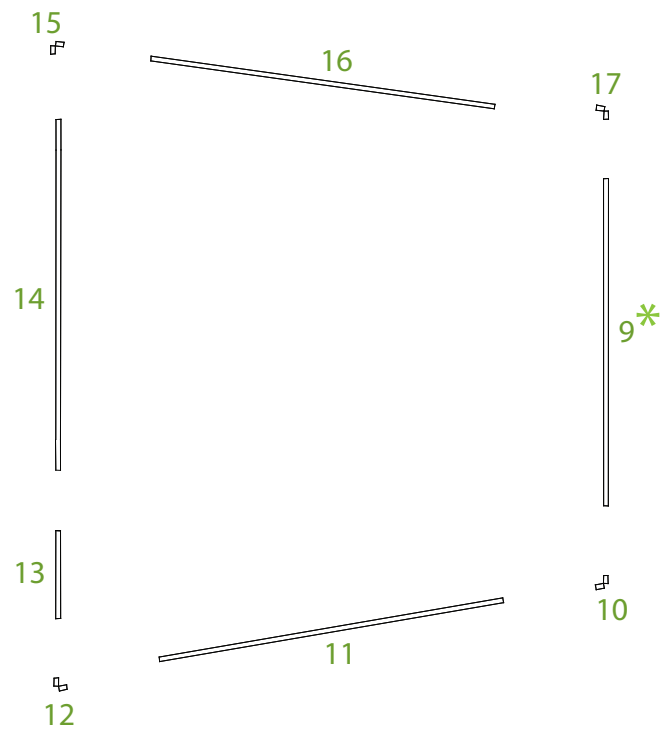
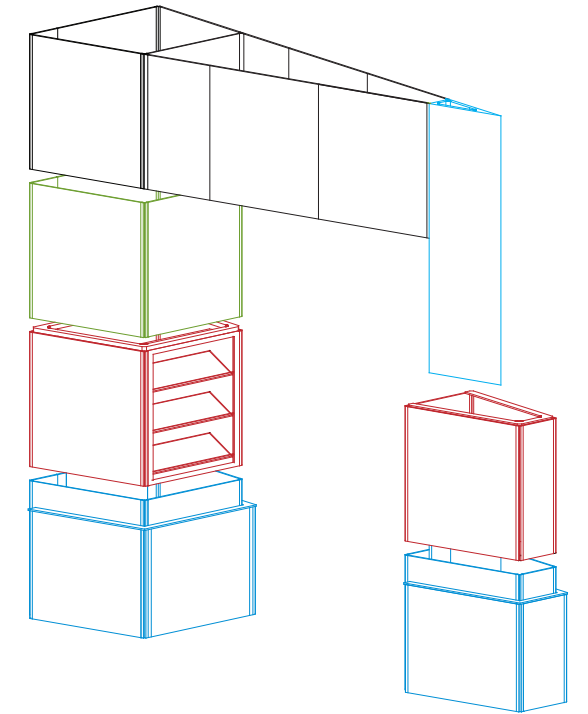


866.652.2100

Item Number	Description
9	42.8415" w x 47.5" h Flat Panel
10	47.5" h Flex Connector
11	46" w x 47.5" h Flat Panel
12	47.5" h Flex Connector
13	11.5" w x 47.5" h Flat Panel
14	47.5" h Flat Panel
15	47.5" h Flex Connector
16	46" w x 47.5" h Flat Panel
17	47.5" h Flex Connector

Steps:

- 1) Assemble by starting at panel #9* and continue in numerical order.

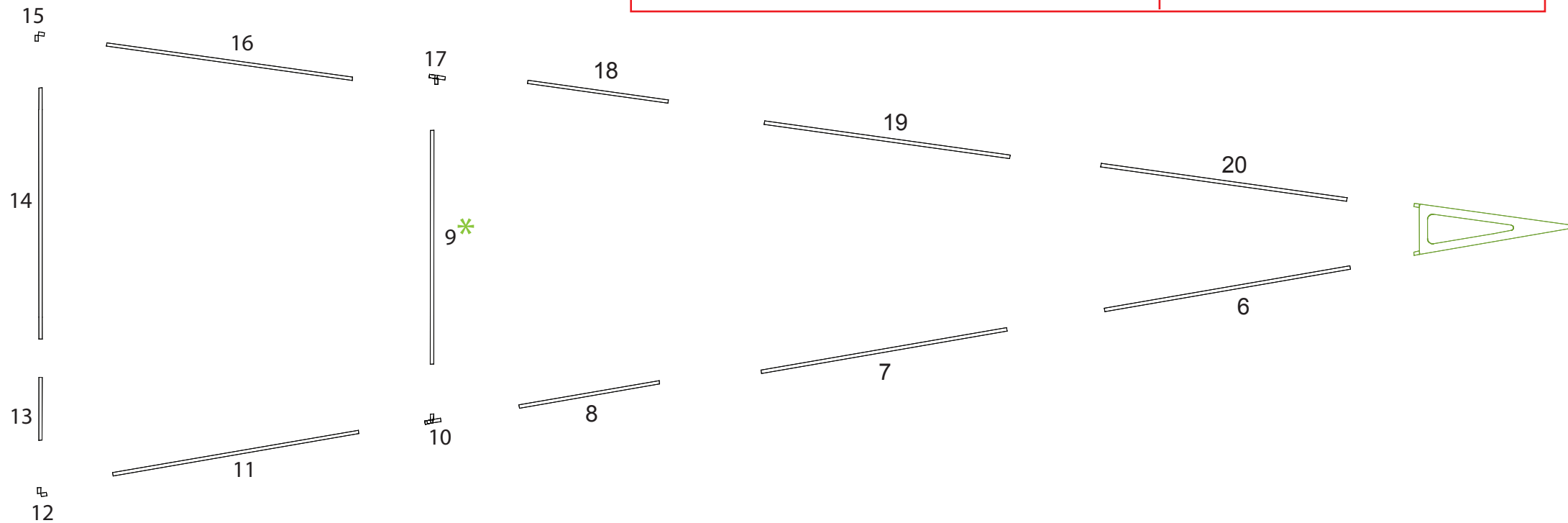
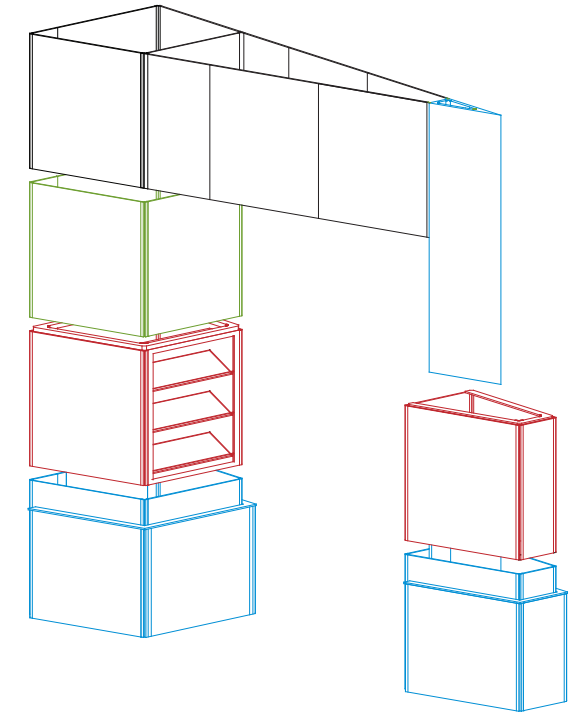
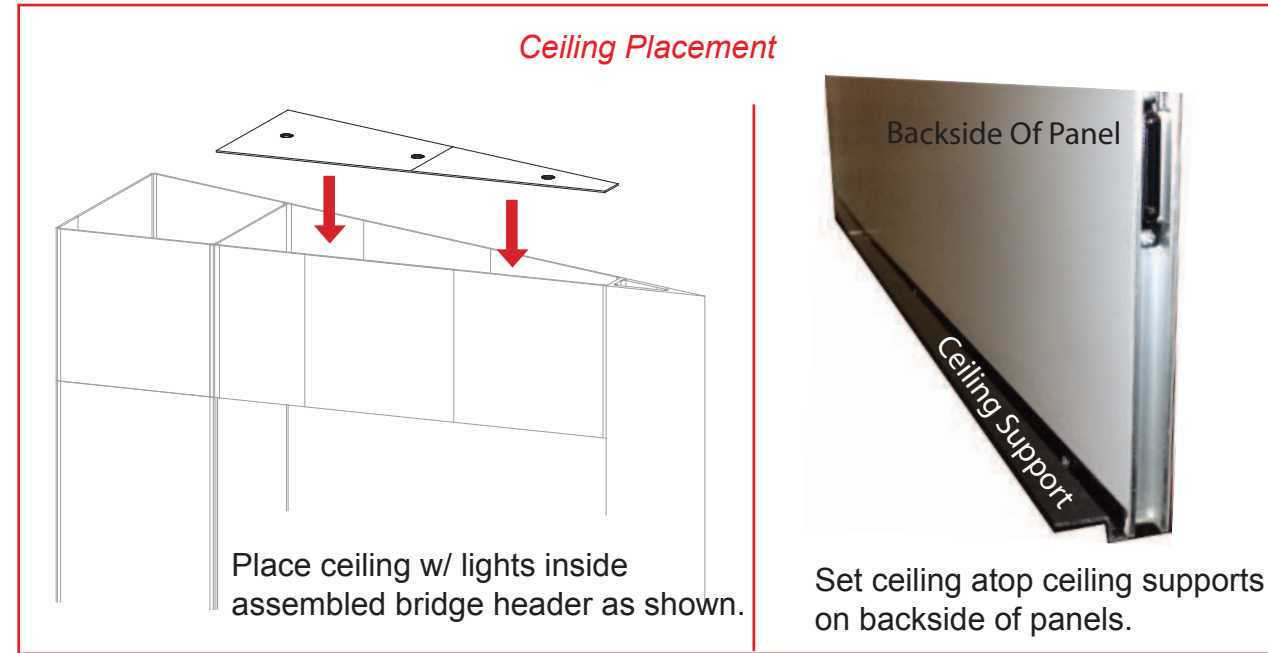


866.652.2100

Item Number	Description
6	46" w x 47.5" h Flat Panel
7	46" w x 47.5" h Flat Panel
8	46" w x 47.5" h Flat Panel
9	42.8415" w x 47.5" h Flat Panel
10	47.5" h 3-Way Connector
11	46" w x 47.5" h Flat Panel
12	47.5" h Flex Connector
13	11.5" w x 47.5" h Flat Panel
14	47.5" h Flat Panel
15	47.5" h Flex Connector
16	46" w x 47.5" h Flat Panel
17	47.5" h 3-Way Connector
18	46" w x 47.5" h Flat Panel
19	46" w x 47.5" h Flat Panel
20	46" w x 47.5" h Flat Panel

Steps:

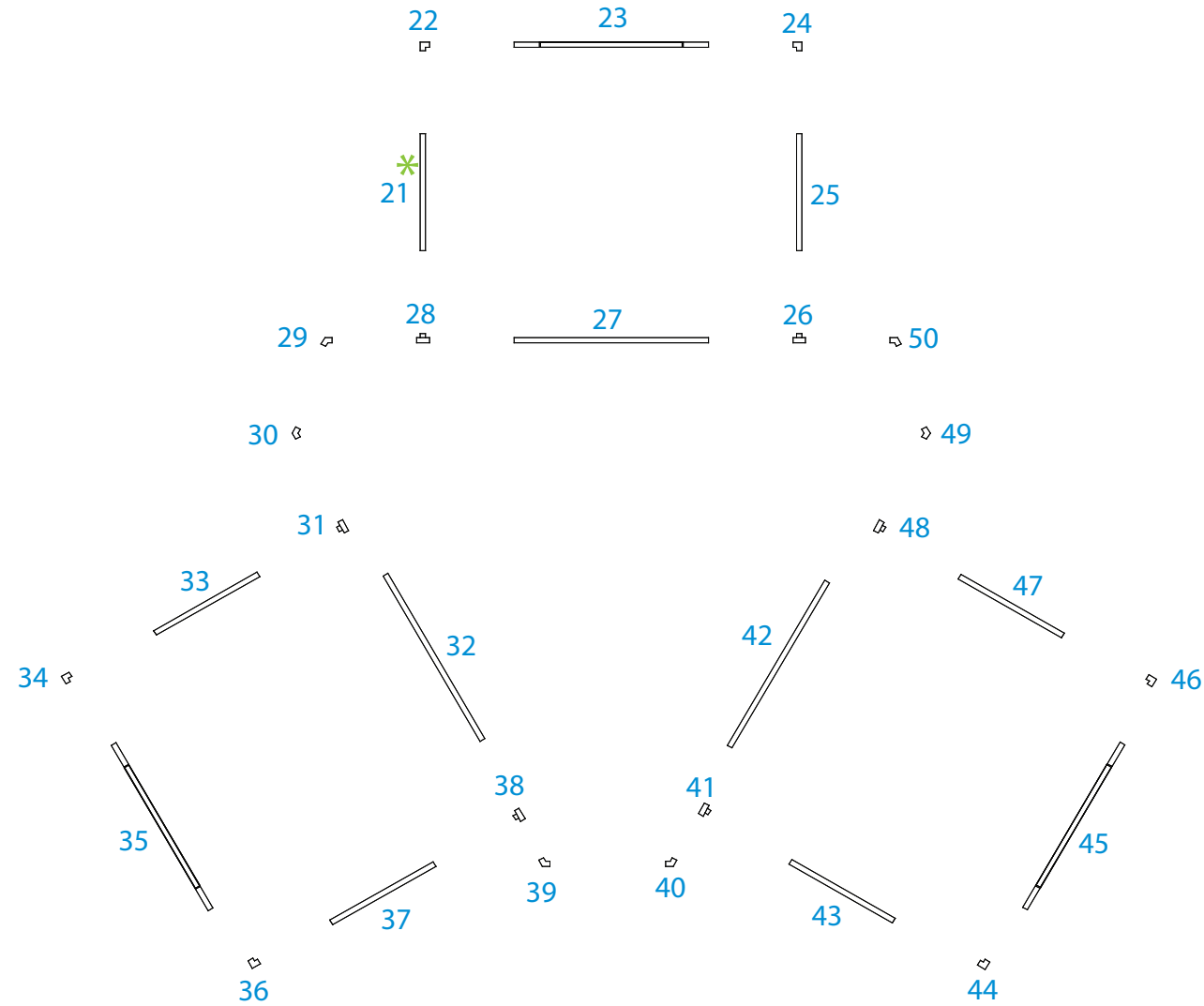
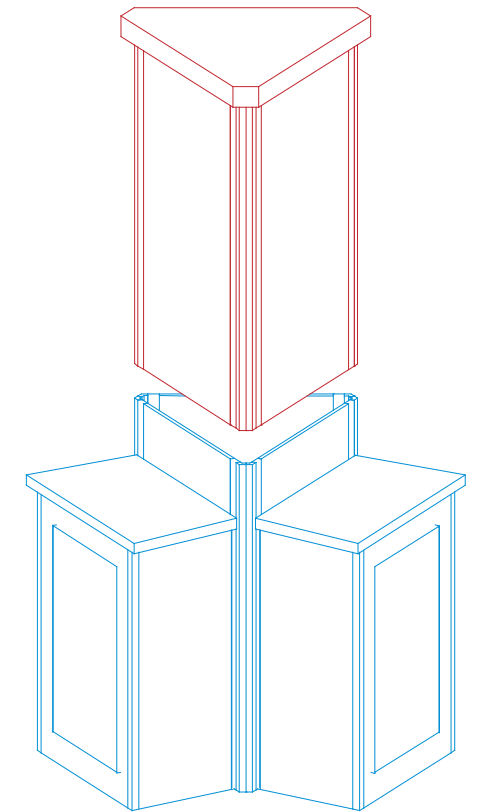
- 1) Assemble tower by starting at panel #9* and continue in numerical order.
- 2) Assemble bridge header panels together [6 to 7 to 8 and 18 to 19 to 20].
- 3) Connect assembled bridge headers between triangular column and connectors #10 and 17.



866.652.2100

Item Number	Description
21	14.125" w x 38" h Flat Panel
22	38" h 90° Connector
23	23" w x 38" h Door Panel
24	38" h 90° Connector
25	14.125" w x 38" h Flat Panel
26	38" h T Connector
27	23" w x 38" h Flat Panel w/ Cut Out Hole
28	38" h T Connector
29	38" h 120° Connector
30	38" h 120° Connector
31	38" h T Connector
32	23" w x 38" h Flat Panel
33	14.125" w x 38" h Flat Panel
34	38" h 90° Connector
35	23" w x 38" h Door Panel
36	38" h 90° Connector
37	14.125" w x 38" h Flat Panel
38	38" h T Connector
39	38" h 120° Connector
40	38" h 120° Connector
41	38" h T Connector
42	23" w x 38" h Flat Panel
43	14.125" w x 38" h Flat Panel
44	38" h 90° Connector
45	23" w x 38" h Door Panel
46	38" h 90° Connector
47	14.125" w x 38" h Flat Panel
48	38" h T Connector
49	38" h 120° Connector
50	38" h 120° Connector

Steps:
 1) Assemble by starting at panel #21* and continue in numerical order.

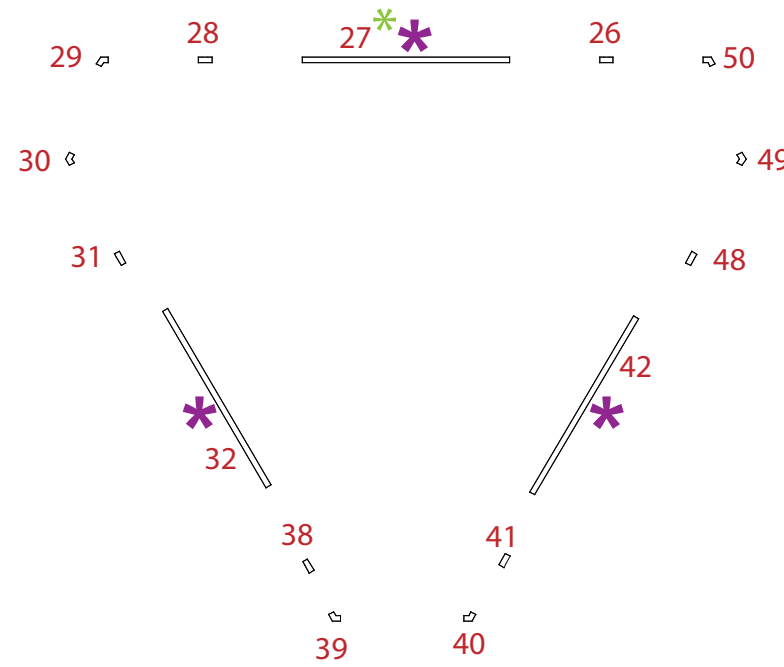
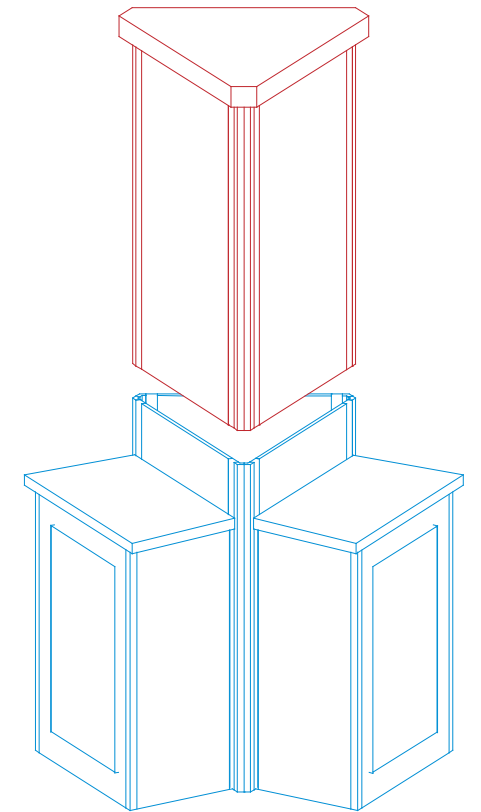


866.652.2100

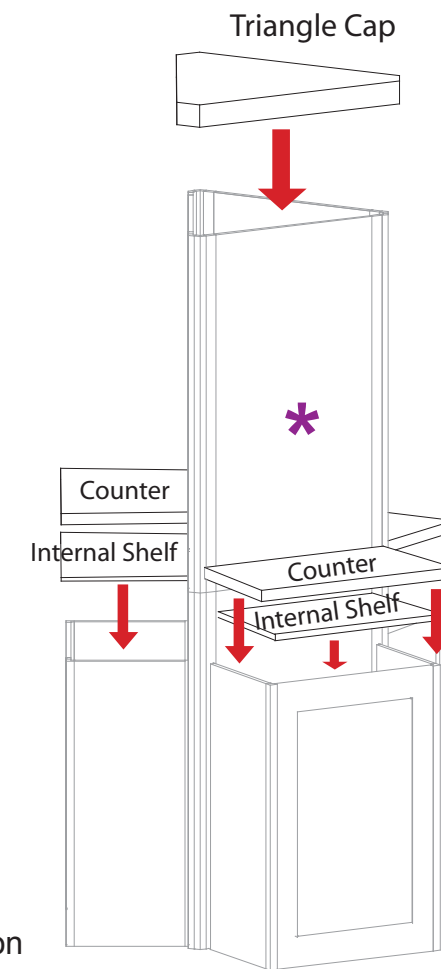
Item Number	Description
26	38" h 180° Connector
27	23" w x 38" h Flat Panel
28	38" h 180° Connector
29	38" h 120° Connector
30	38" h 120° Connector
31	38" h 180° Connector
32	23" w x 38" h Flat Panel
38	38" h 180° Connector
39	38" h 120° Connector
40	38" h 120° Connector
41	38" h 180° Connector
42	23" w x 38" h Flat Panel
48	38" h 180° Connector
49	38" h 120° Connector
50	38" h 120° Connector

Steps:

- 1) Assemble by starting at panel #27* and continue in numerical order.
- 2) Attach monitor mounts as indicated.
- 3) Velcro internal shelf supports inside of assembled base, then set internal shelves atop supports.
- 4) Set counters atop assembled base.
- 5) Set triangle cap atop assembled workstation.



* = Vesa 75-100 Monitor Mount Location

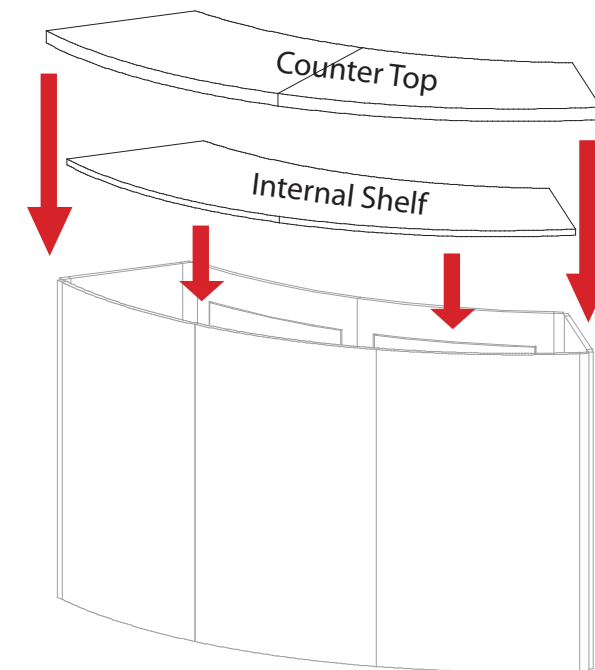
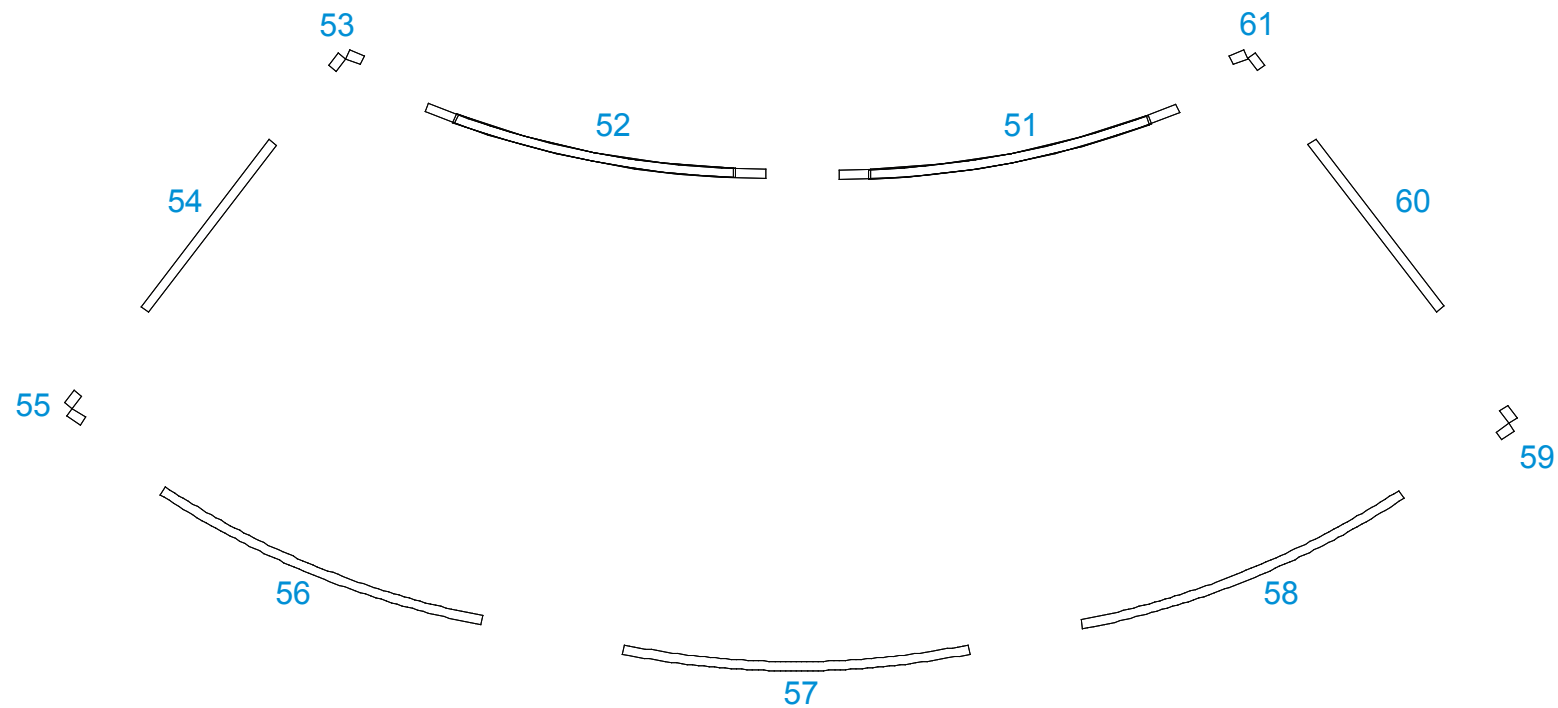
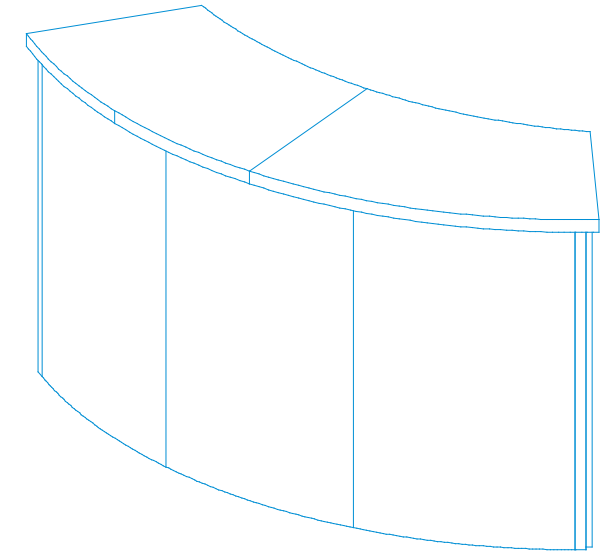


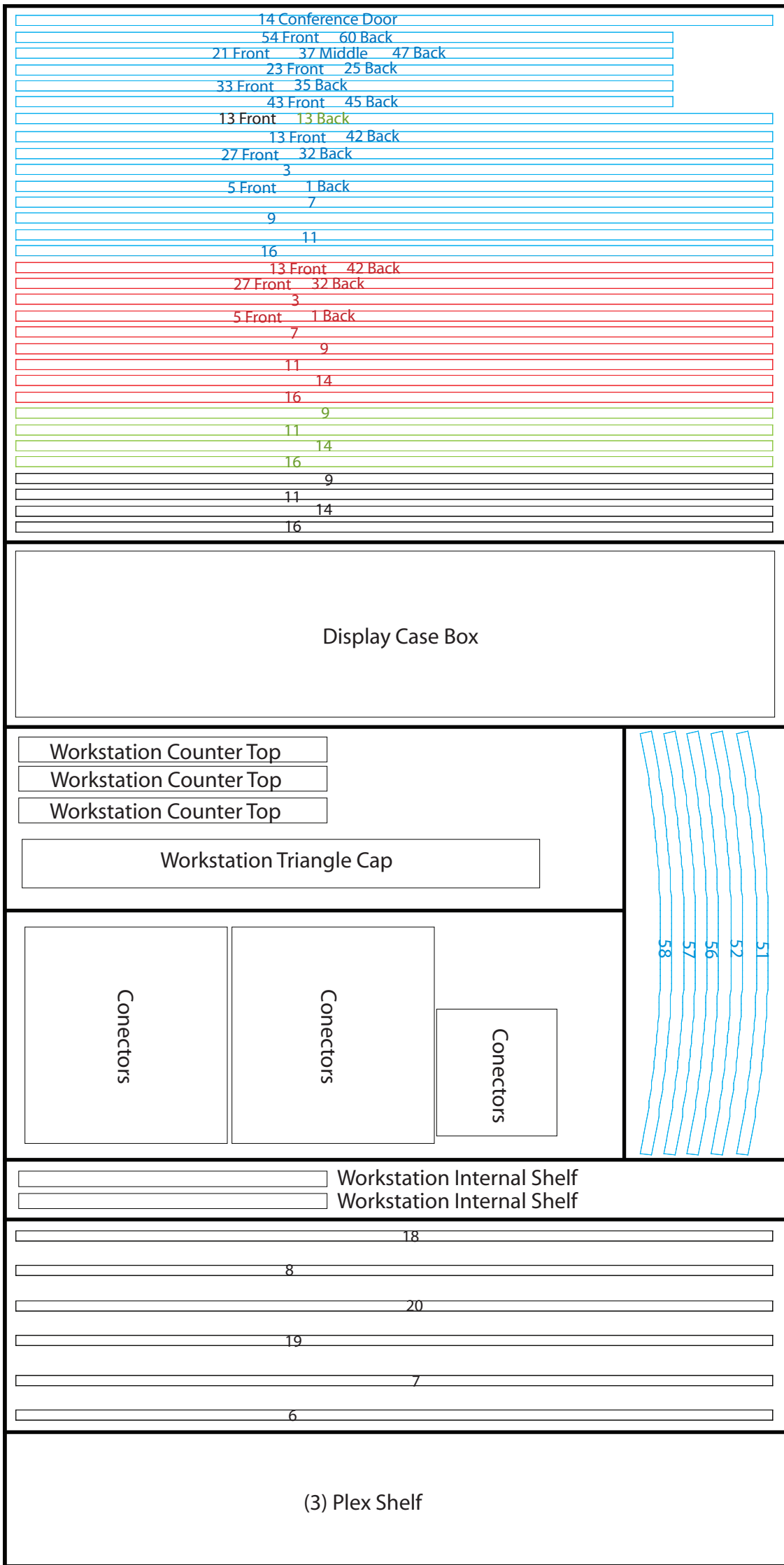
866.652.2100

Item Number	Description
51	57.5"r x 38"h Curve Door Panel
52	57.5"r x 38"h Curve Door Panel
53	38"h Flex Connector
54	14.125"w x 38"h Flat Panel
55	38"h Flex Connector
56	57.5"r x 38"h Curve Panel
57	57.5"r x 38"h Curve Panel
58	57.5"r x 38"h Curve Panel
59	38"h Flex Connector
60	14.125"w x 38"h Flat Panel
61	38"h Flex Connector

Steps:

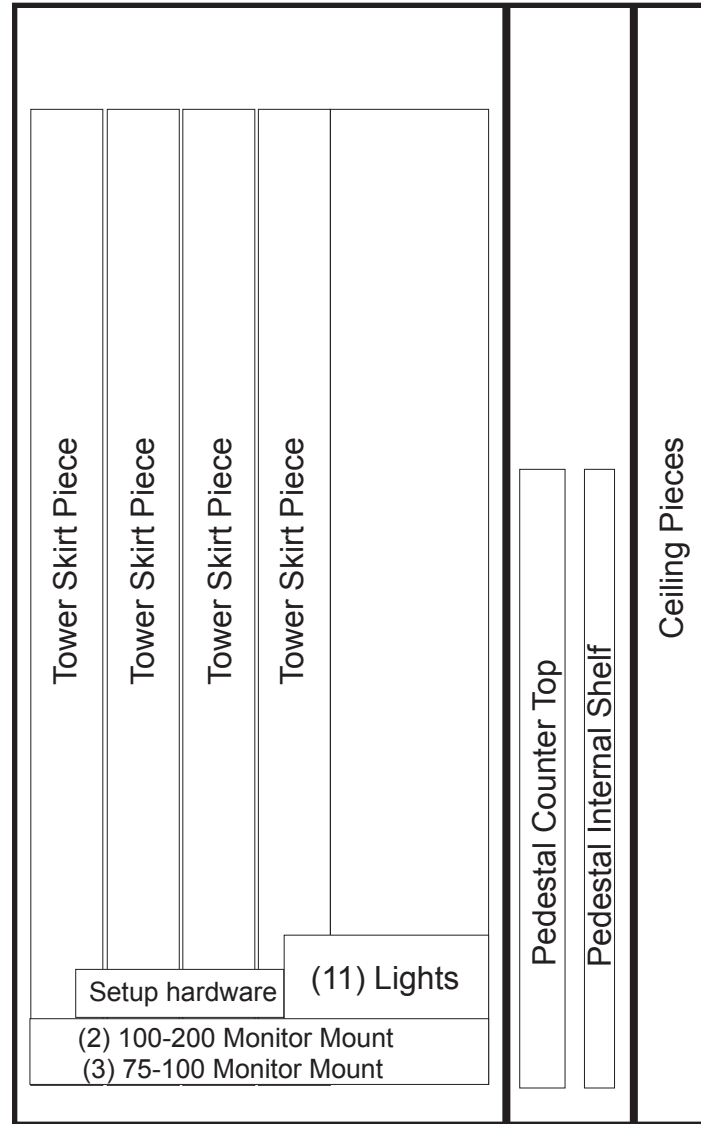
- 1) Assemble by starting at panel #51* and continue in numerical order.
- 2) Velcro shelf supports to inside of assembled base, then set internal shelf atop supports.
- 3) Place counter atop assembled pedestal.







Crate 1 - Front View



Crate 2 - Front View



Crate 2 - Front View

