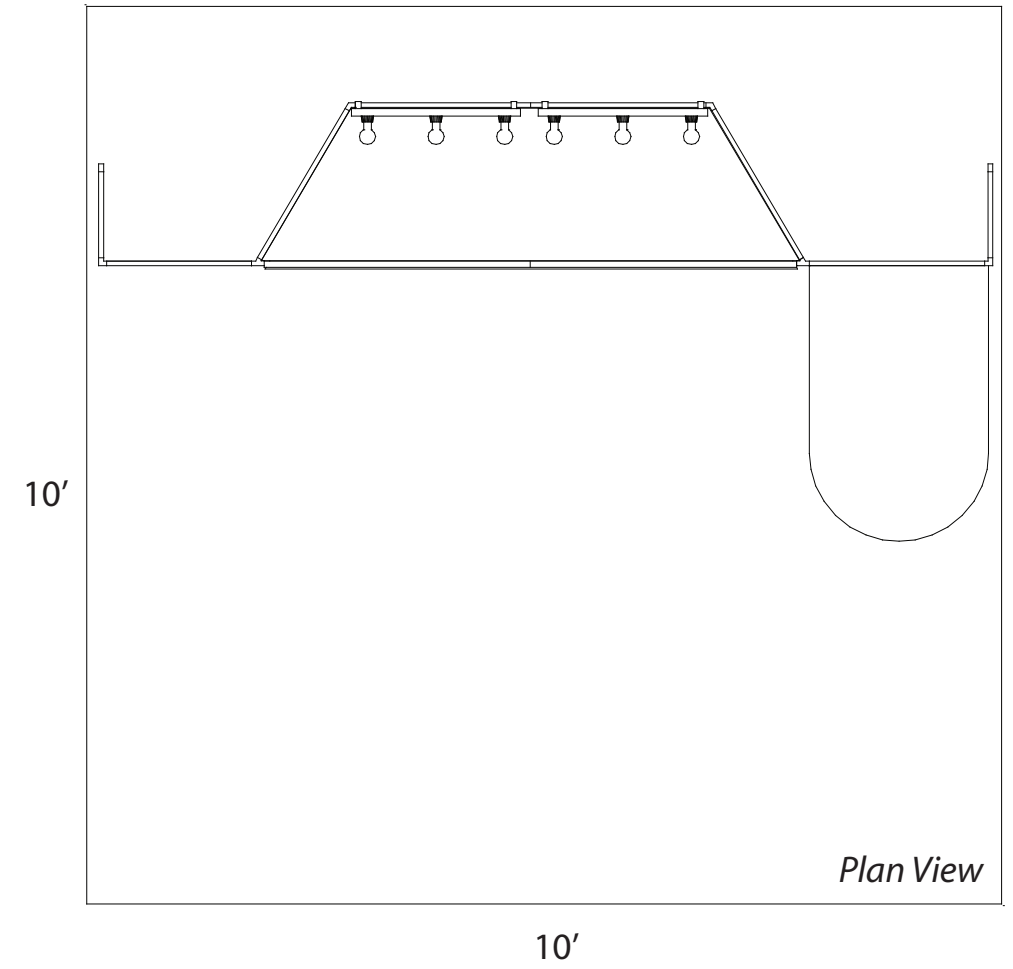
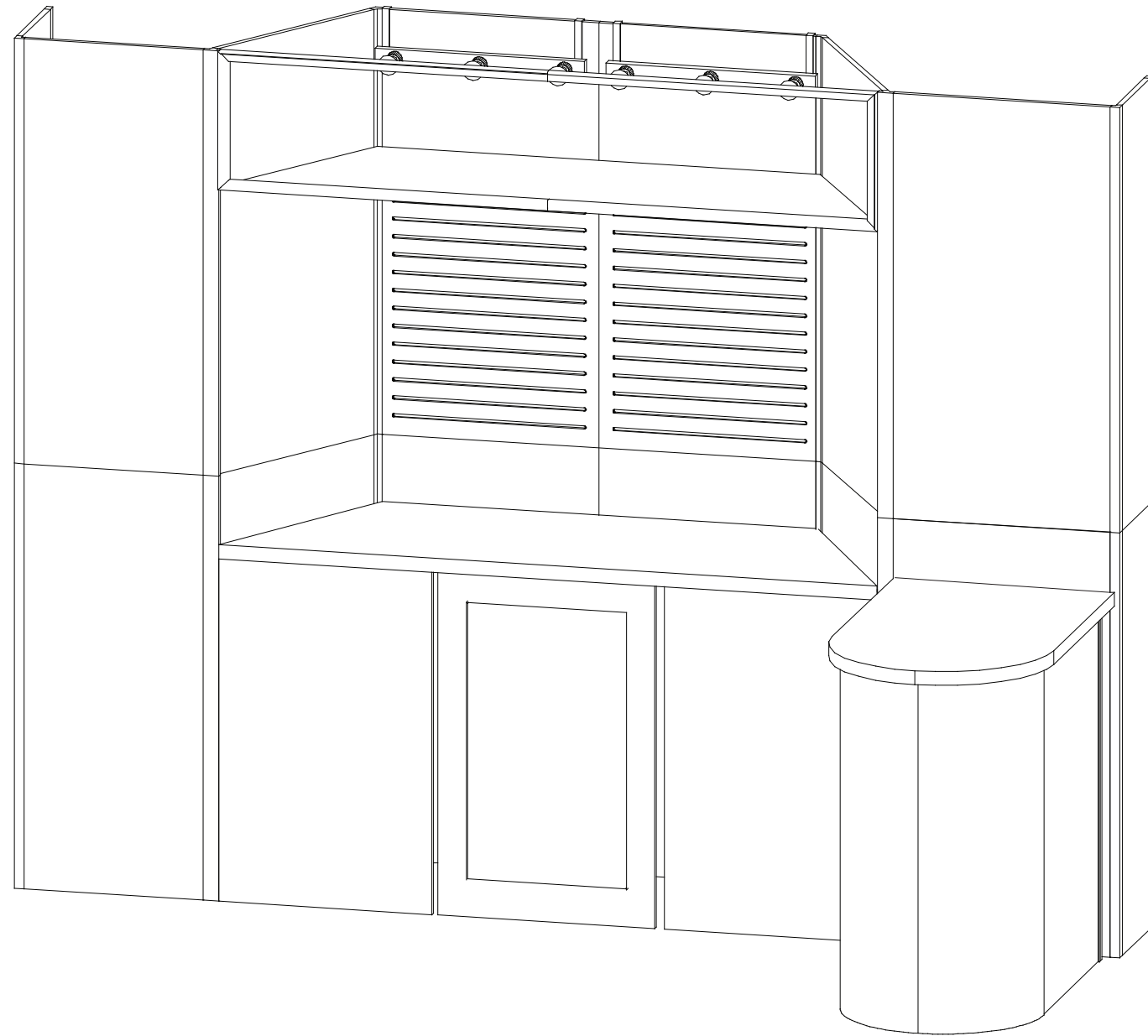


euro It | HYBRIDS

866.652.2100



euro It | HYBRIDS

Euro LT Hybrids General Setup Instructions

Using Your Setup Instructions

The Euro LT Hybrids Setup Instructions are created specifically for your configuration. They are laid out sequentially in levels, including exploded views, and a logical series of detailed steps to assemble the main structure and components. We encourage you to study the instructions **before** attempting to assemble your exhibit.

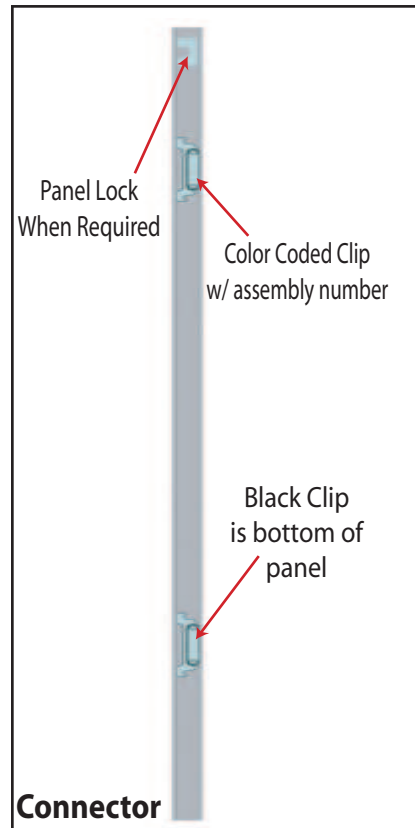
Cleaning and Packing Your Display

- 1) When cleaning laminate countertops or panels use mild cleansers and a soft material such as cotton.
- 2) Keep all display components away from extreme heat and long exposure to sunlight to avoid warping and fading.
- 3) Retain all packing material. It will make re-packing much easier and will reduce the likelihood of shipping damage.

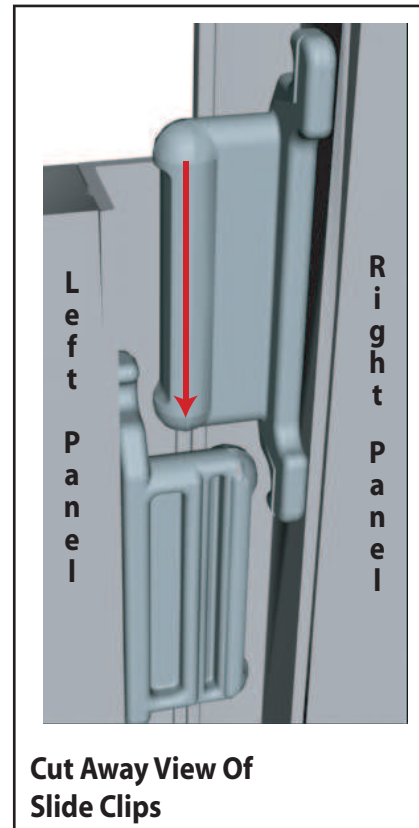
Level 1 = Blue
 Level 2 = Red
 Level 3 = Green
 Level 4 = Black

Color Code

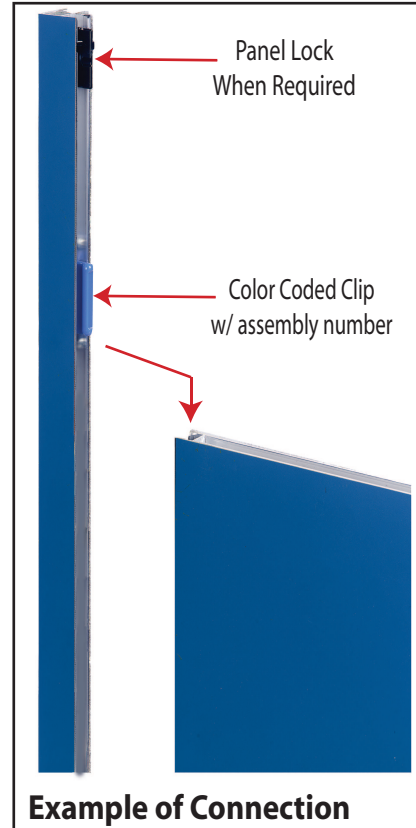
The top clip is color coded to distinguish the level. The color coded clip also contains the numbered label



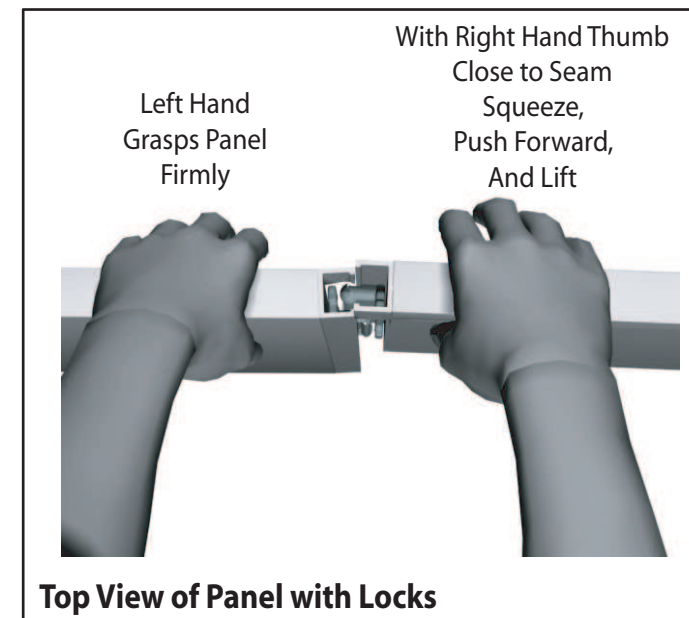
Each component has 2 clips, the lower clip is ALWAYS black..



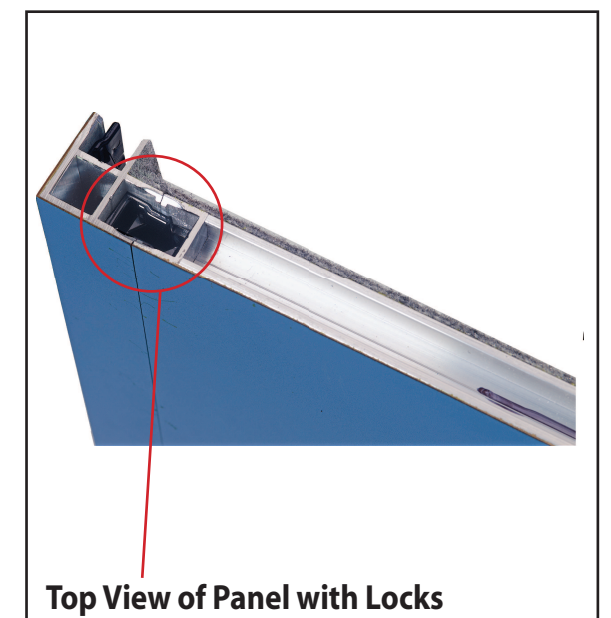
Components connect together by aligning them and sliding downward connecting clips together.



Configurations are assembled from left to right, usually starting with #1 and following the numbered sequence.



The first level of components contains panel locks that are located at the top of the panel for extra stability and a seamless connection. When disassembling panels, twist top connection slightly and lift right panel upward.

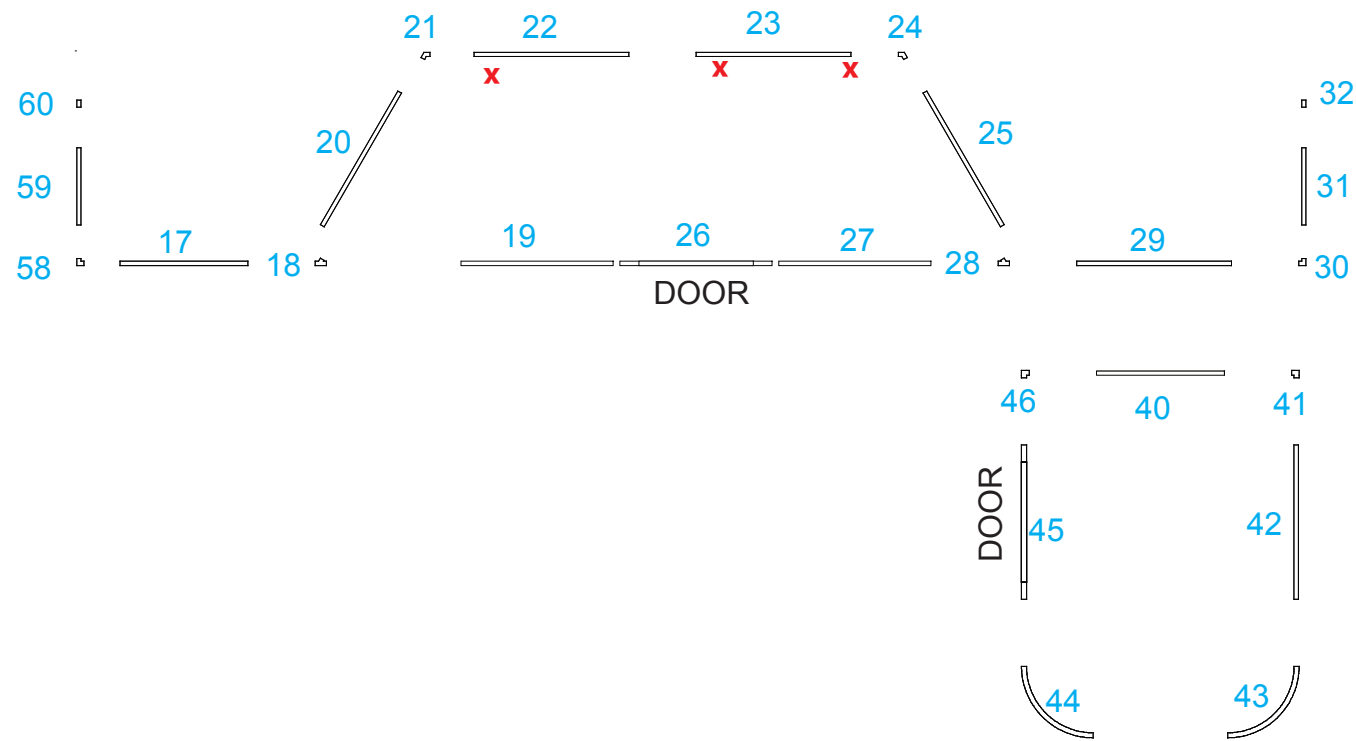
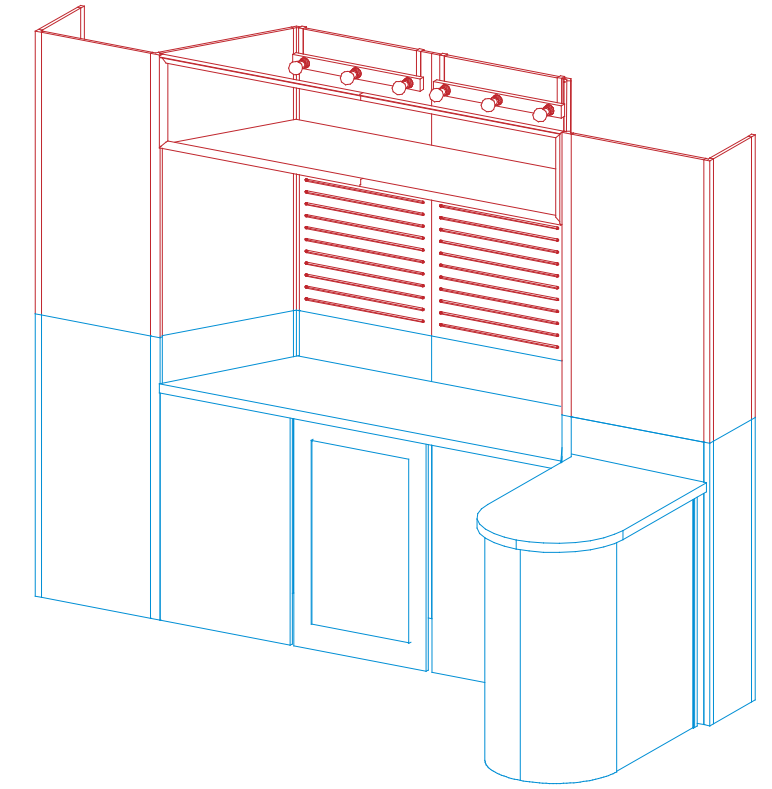


866.652.2100

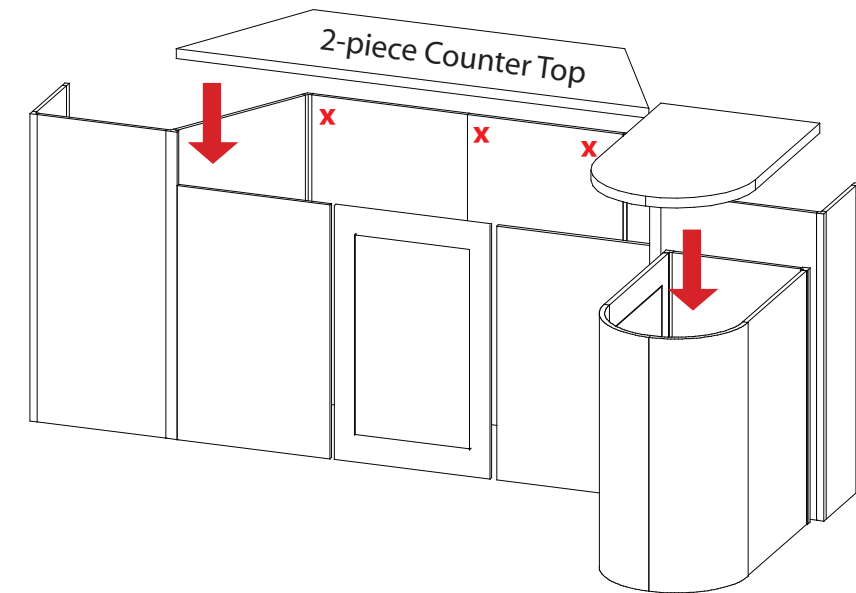
Item Number	Description
17	19" w x 46" h Flat Panel
18	46" h 3-Way Connector
19	23" w x 38" h Flat Panel
20	23" w x 46" h Flat Panel
21	46" h 120° Connector
22	23" w x 46" h Flat Panel
23	23" w x 46" h Flat Panel
24	46" h 120° Connector
25	23" w x 46" h Flat Panel
26	23" w x 38" h Door Panel
27	23" w x 38" h Flat Panel
28	46" h 3-Way Connector
29	23" w x 46" h Flat Panel
30	46" h 90° Connector
31	11.5" w x 46" h Flat Panel
32	46" h End Cap
58	46" h 90° Connector
59	11.5" w x 46" h Flat Panel
60	46" h End Cap

Item Number	Description
40	19" w x 38" h Flat Panel
41	38" h 90° Connector
42	23" w x 38" h Flat Panel
43	9.5" r x 38" h Curve Panel
44	9.5" r x 38" h Curve Panel
45	23" w x 38" h Door Panel
46	38" h 90° Connector

Steps:
Connect panels together in numerical order as shown in illustrations.



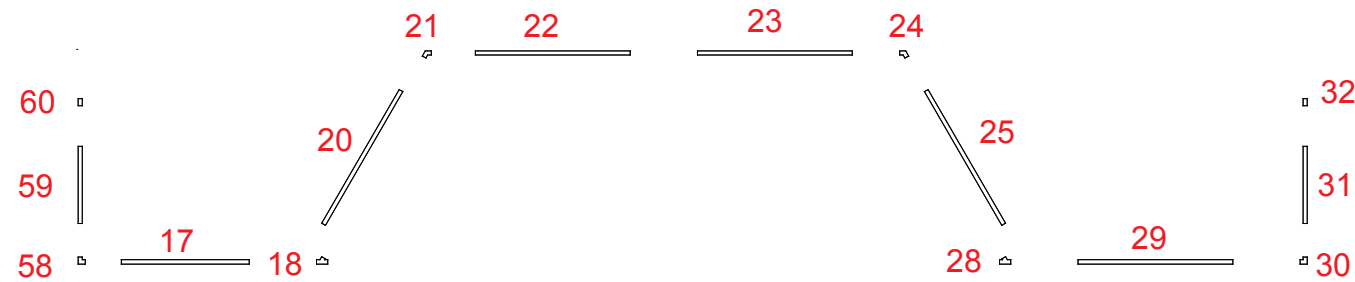
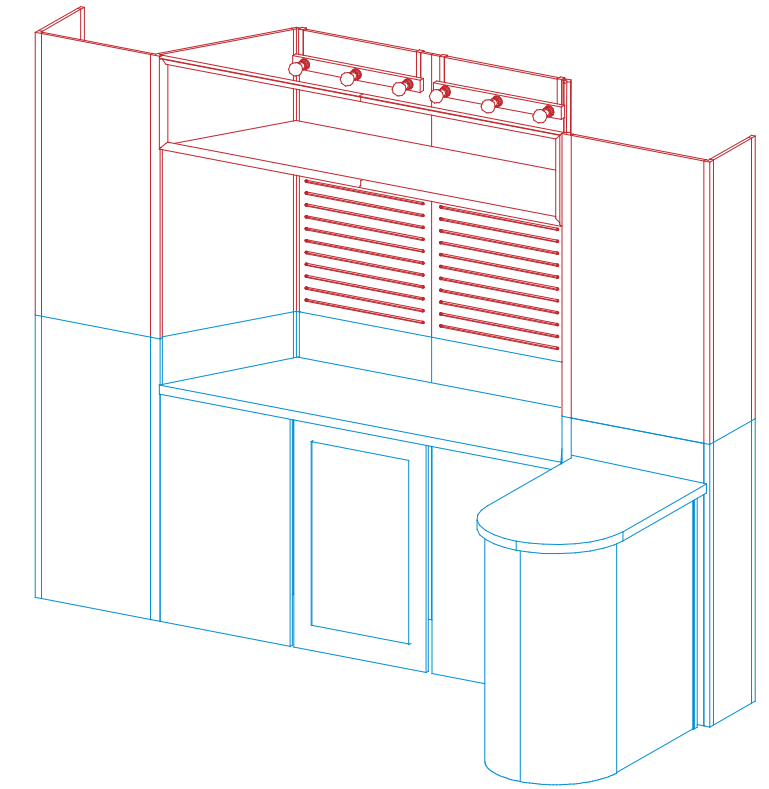
Please counter tops on assembled bases as shown.



X = Thumbscrew Location

Item Number	Description
17	19" w x 46" h Flat Panel
18	46" h 3-Way Connector
20	23" w x 46" h Flat Panel
21	46" h 120° Connector
22	23" w x 46" h Flat Panel
23	23" w x 46" h Flat Panel
24	46" h 120° Connector
25	23" w x 46" h Flat Panel
28	46" h 3-Way Connector
29	23" w x 46" h Flat Panel
30	46" h 90° Connector
31	11.5" w x 46" h Flat Panel
32	46" h End Cap
58	46" h 90° Connector
59	11.5" w x 46" h Flat Panel
60	46" h End Cap

Steps:
Connect panels together in numerical order as shown in illustrations.



Header Kit Assembly

NOTE: Straight edges meet

Hook ceiling supports over top of display panels

Bevel

Beveled corners meet here

Hook ceiling supports over top of display panels. NOTE: Make sure beveled aluminum channels on supports and straight edge of supports meet as shown.

Step 1

Hook light bars over the ceiling supports, screw in light bulbs and let the cords hang over the back of the display. Then hook header over panel tops.

Step 2

Install ceiling diffuser panels

Place ceiling atop lip on header and ceiling supports.

Step 3