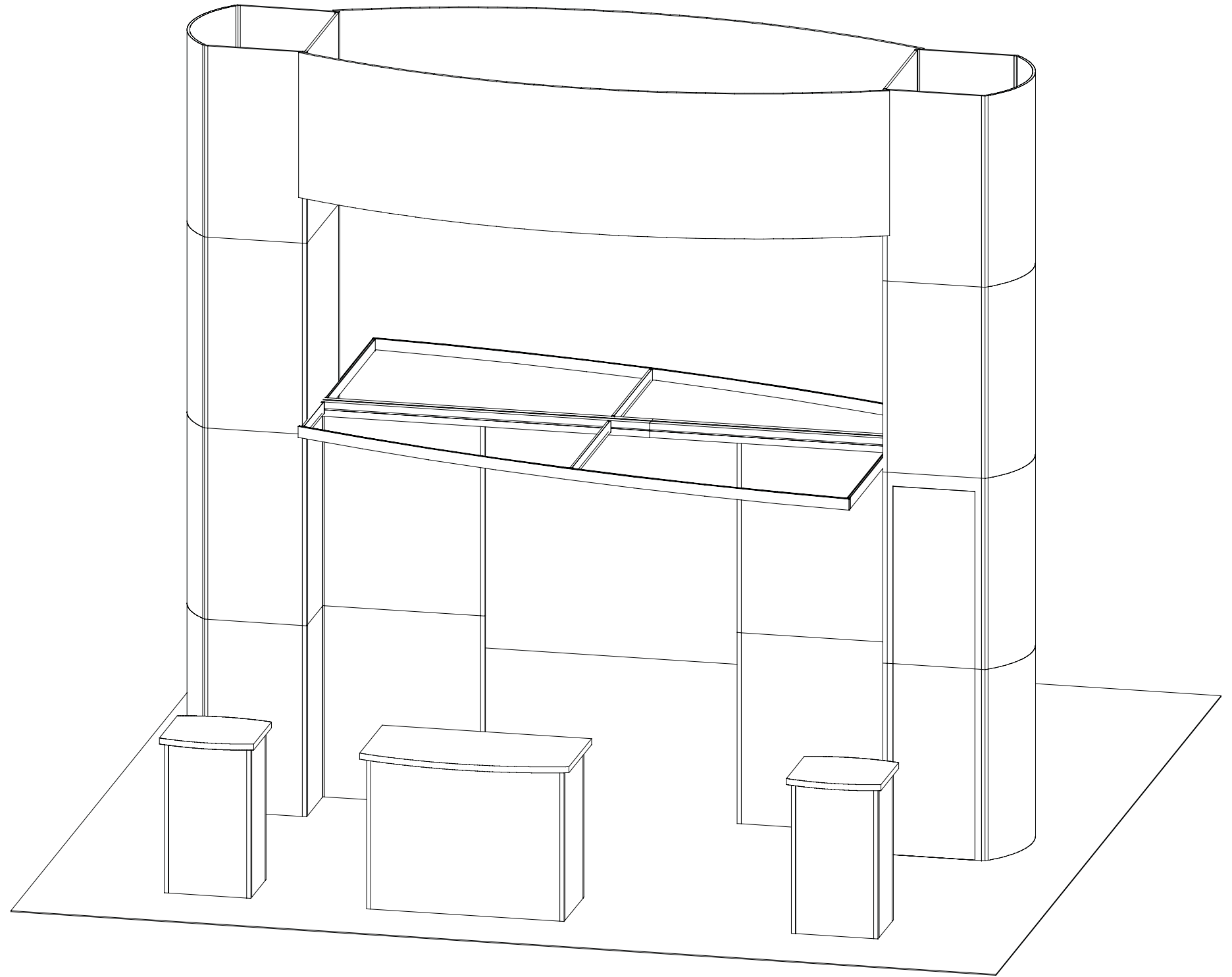
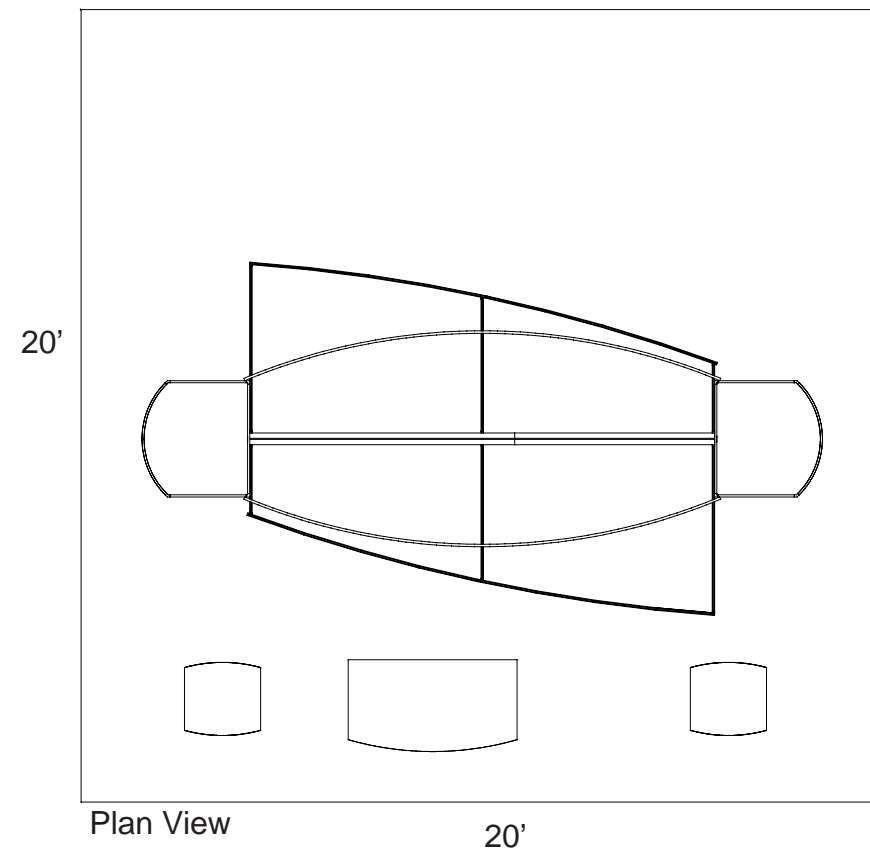


# euro It | *HYBRIDS*



# euro lt | HYBRIDS

## Euro LT Hybrids General Setup Instructions

### Using Your Setup Instructions

The Euro LT Hybrids Setup Instructions are created specifically for your configuration. They are laid out sequentially in levels, including exploded views, and a logical series of detailed steps to assemble the main structure and components. We encourage you to study the instructions **before** attempting to assemble your exhibit.

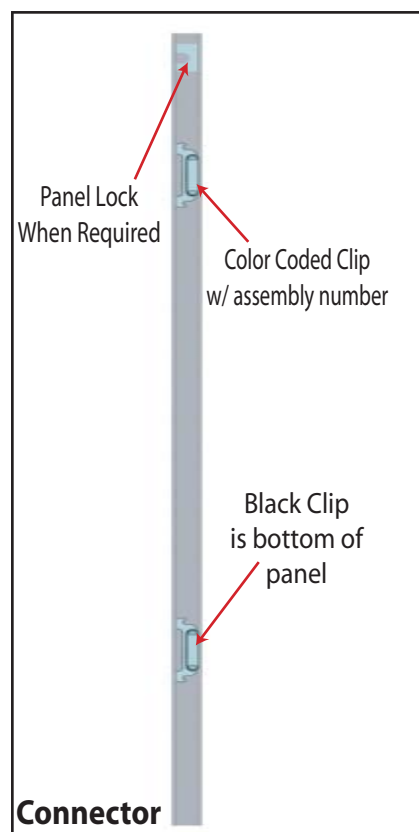
### Cleaning and Packing Your Display

- 1) When cleaning laminate countertops or panels use mild cleansers and a soft material such as cotton.
- 2) Keep all display components away from extreme heat and long exposure to sunlight to avoid warping and fading.
- 3) Retain all packing material. It will make re-packing much easier and will reduce the likelihood of shipping damage.

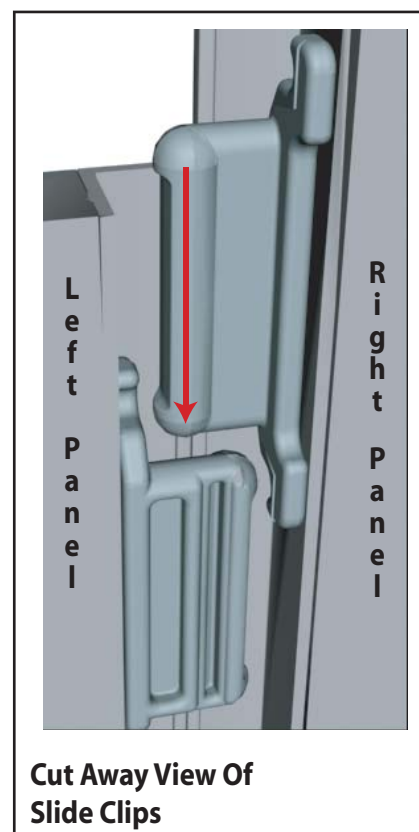
Level 1 = Blue  
 Level 2 = Red  
 Level 3 = Green  
 Level 4 = Black

#### Color Code

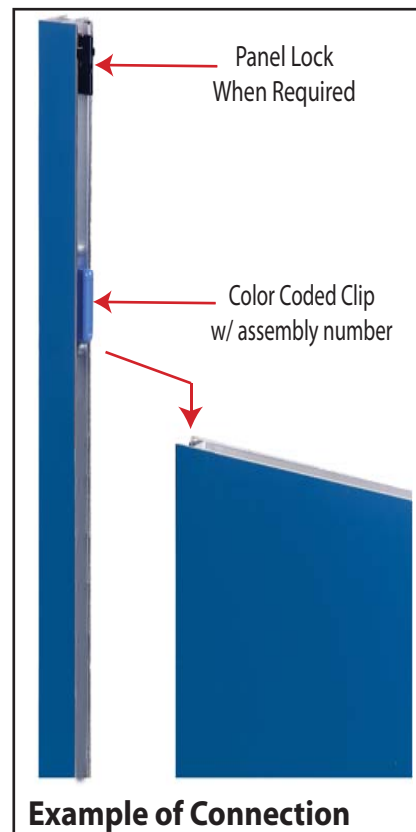
The top clip is color coded to distinguish the level. The color coded clip also contains the numbered label



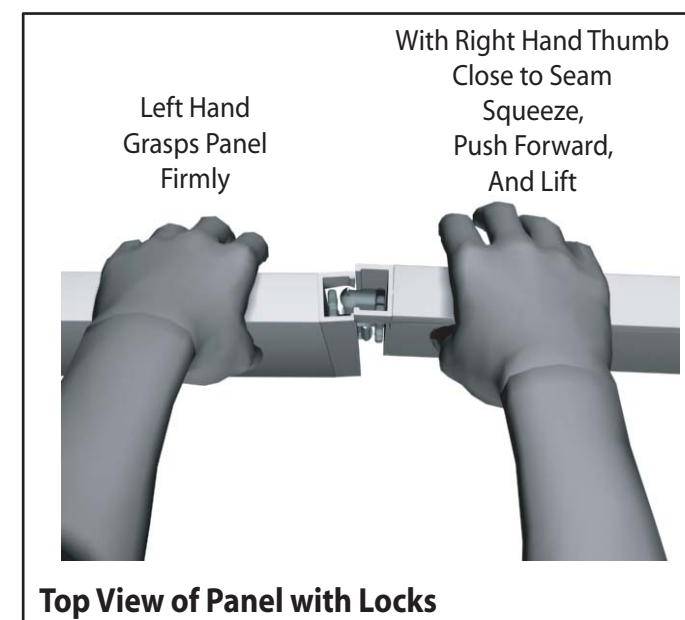
Each component has 2 clips, the lower clip is ALWAYS black..



Components connect together by aligning them and sliding downward connecting clips together.



Configurations are assembled from left to right, usually starting with #1 and following the numbered sequence.

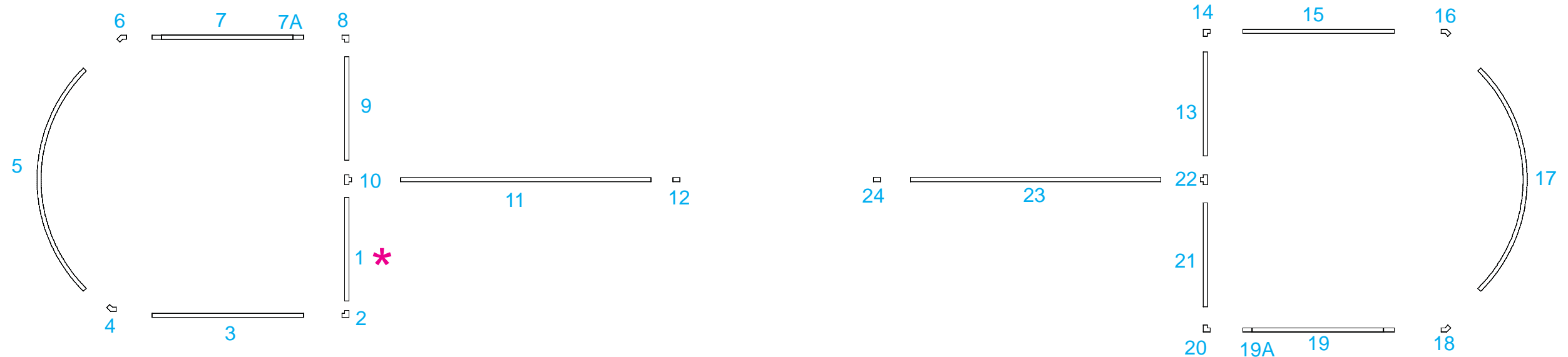


The first level of components contains panel locks that are located at the top of the panel for extra stability and a seamless connection. When disassembling panels, twist top connection slightly and lift right panel upward.



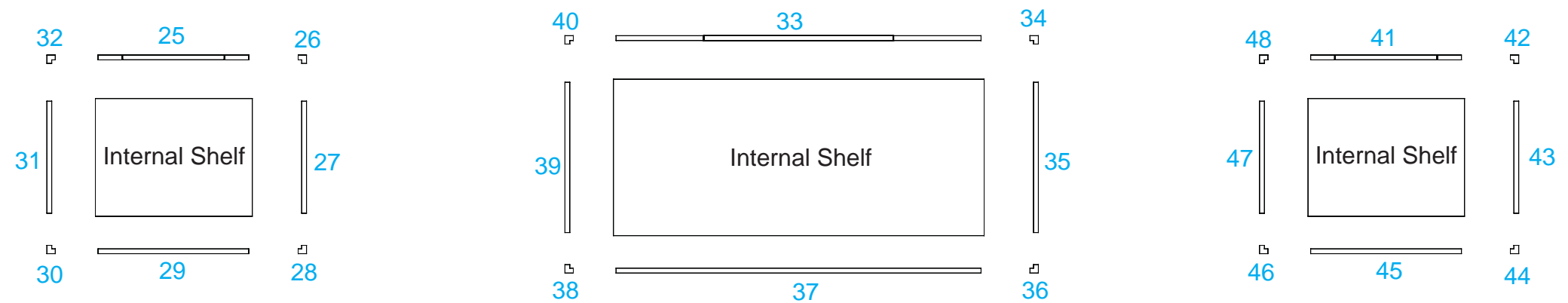
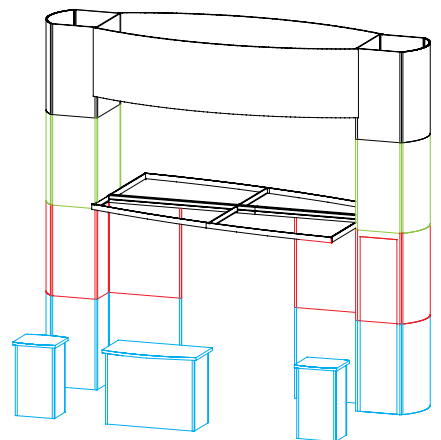
866.652.2100

Item Number	Description	Item Number	Description	Item Number	Description	Item Number	Description	Item Number	Description
1	15.8053" w x 47.5" h Flat Panel	13	15.8053" w x 47.5" h Flat Panel	25	19" w x 38" h Flat Panel w/ Door	33	46" w x 38" h Flat Panel	41	19" w x 38" h Flat Panel w/ Door
2	47.5" h 90° Connector	14	47.5" h 90° Connector	26	38" h 90° Connector	34	38" h 90° Connector	42	38" h 90° Connector
3	23" w x 47.5" h Flat Panel	15	23" w x 47.5" h Flat Panel	27	14.125" w x 38" h	35	19" w x 38" h Flat Panel	43	14.125" w x 38" h
4	47.5" h 120° Connector	16	47.5" h 120° Connector	28	38" h 90° Connector	36	38" h 90° Connector	44	38" h 90° Connector
5	23" r x 47.5" h Quarter Curve Panel	17	23" r x 47.5" h Quarter Curve Panel	29	19" w x 38" h Flat Panel	37	46" w x 38" h Flat Panel	45	19" w x 38" h Flat Panel
6	47.5" h 120° Connector	18	47.5" h 120° Connector	30	38" h 90° Connector	38	38" h 90° Connector	46	38" h 90° Connector
7	23" w x 47.5" h Panel w/ Conf. Door	19	23" w x 47.5" h Panel w/ Conf. Door	31	14.125" w x 38" h	39	19" w x 38" h Flat Panel	47	14.125" w x 38" h
7A	Conf. Door Section	19A	Conf. Door Section	32	38" h 90° Connector	40	38" h 90° Connector	48	38" h 90° Connector
8	47.5" h 90° Connector	20	47.5" h 90° Connector						
9	15.8053" w x 47.5" h Flat Panel	21	15.8053" w x 47.5" h Flat Panel						
10	47.5" h T- Connector	22	47.5" h T- Connector						
11	38" w x 47.5" h Flat Panel	23	38" w x 47.5" h Flat Panel						
12	47.5" h End Cap	24	47.5" h End Cap						



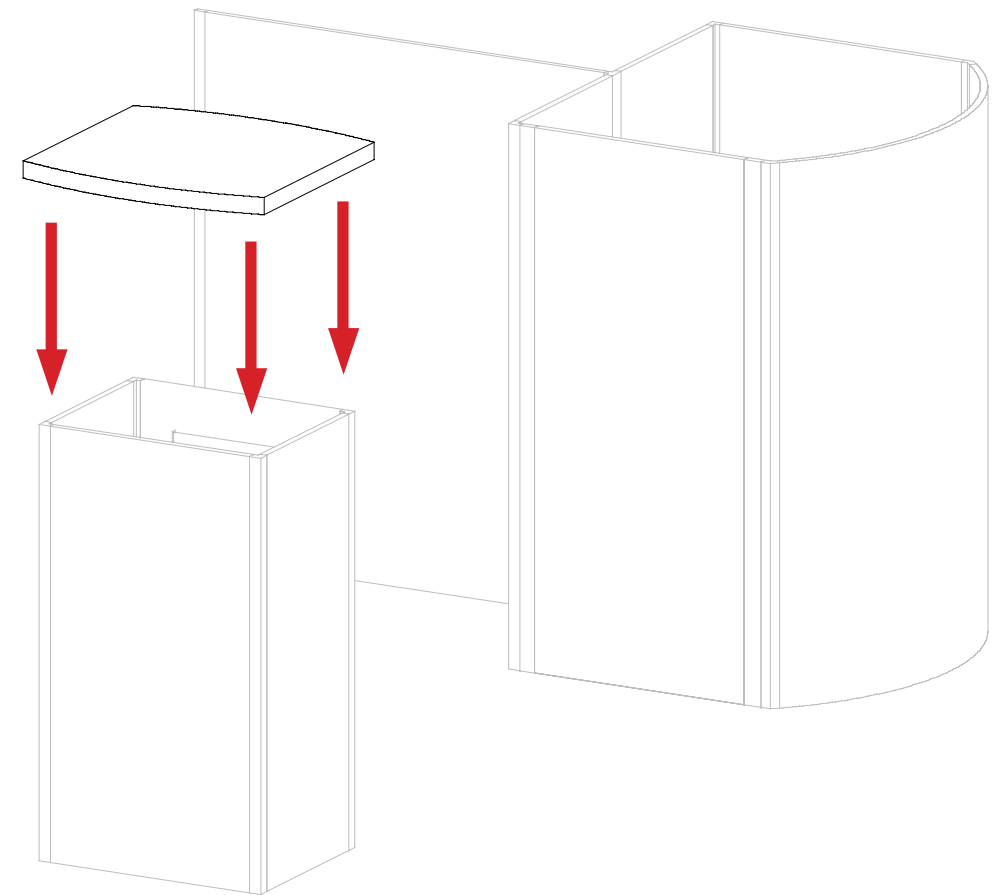
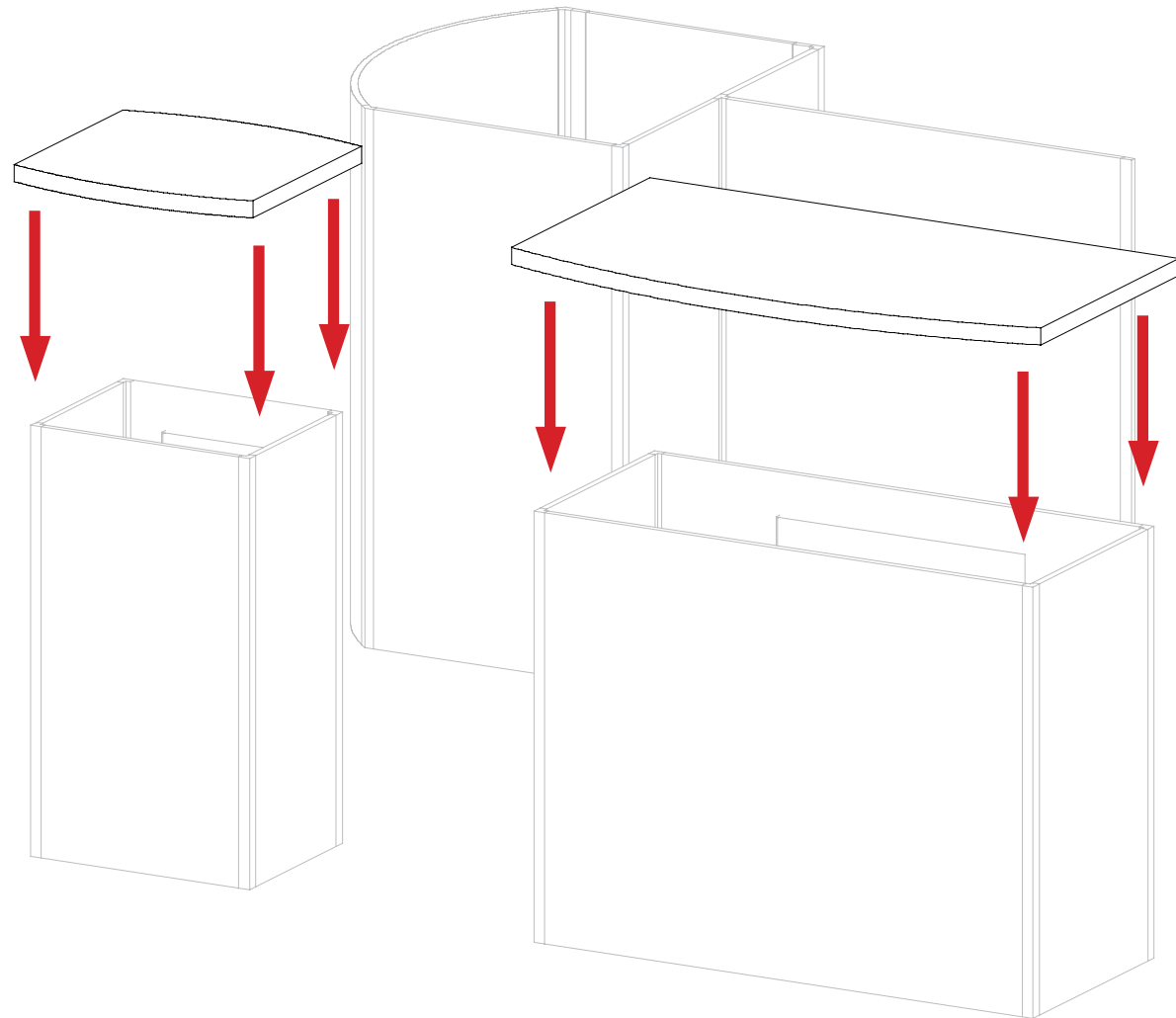
Steps:  
 Connect panels together in numerical order starting with # 1 \*  
 as shown in illustrations.

Place Internal shelves into assembled pedestals atop Velcroed supports.



866.652.2100

Place Counters atop assembled Pedestals.

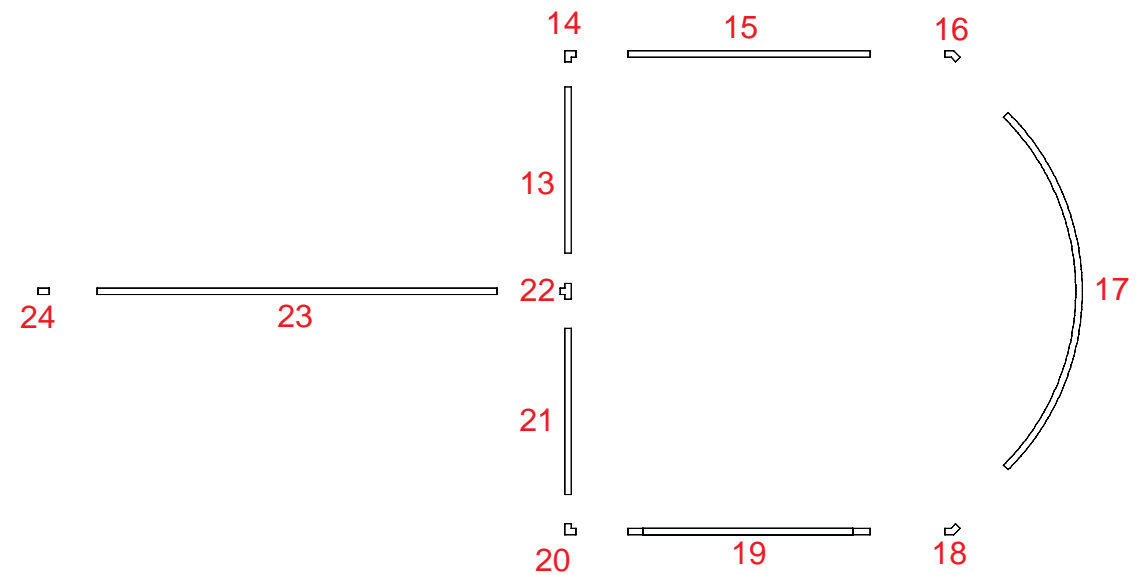
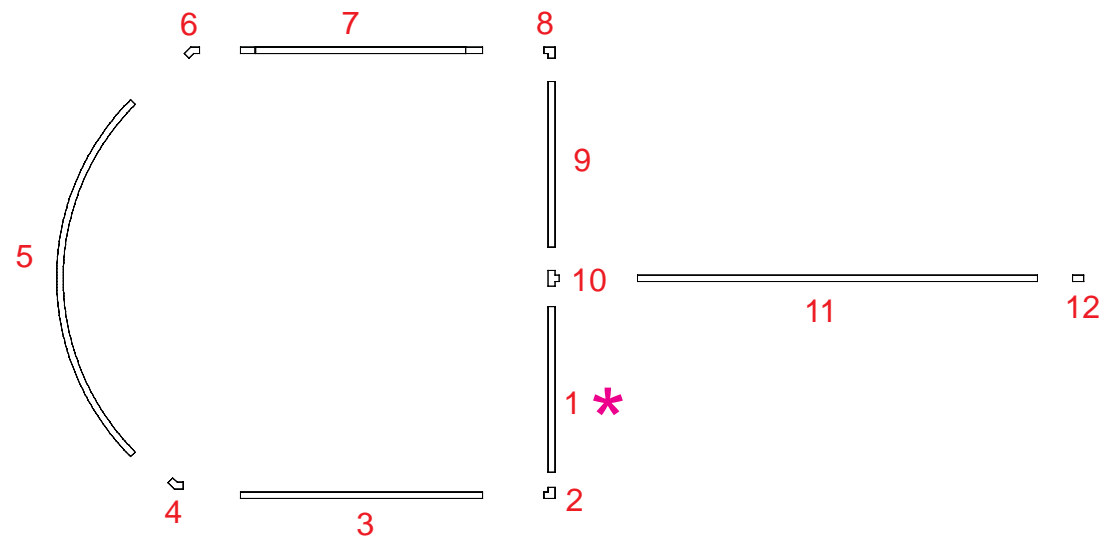
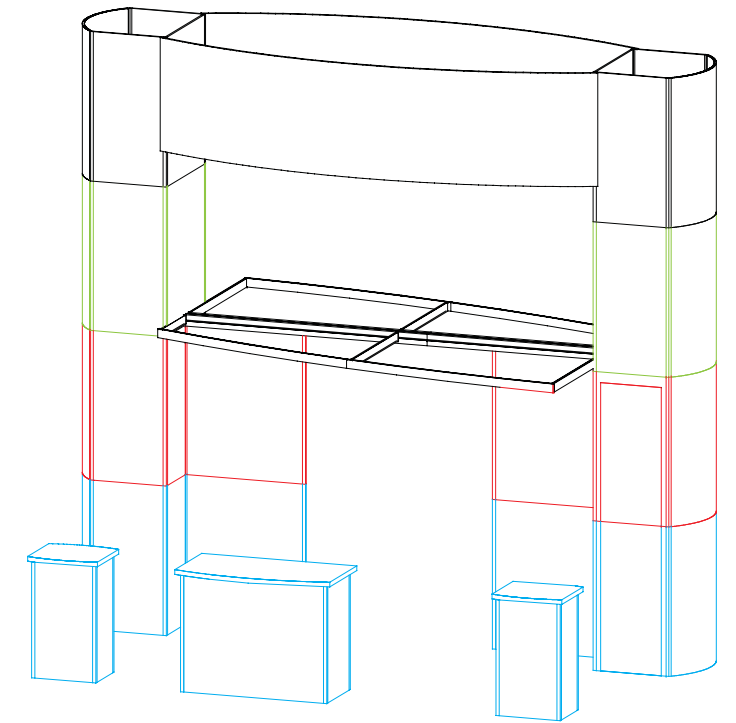


866.652.2100

Item Number	Description	Item Number	Description
1	15.8053" w x 47.5" h Flat Panel	13	15.8053" w x 47.5" h Flat Panel
2	47.5" h 90° Connector	14	47.5" h 90° Connector
3	23" w x 47.5" h Flat Panel	15	23" w x 47.5" h Flat Panel
4	47.5" h 120° Connector	16	47.5" h 120° Connector
5	23" r x 47.5" h Quarter Curve Panel	17	23" r x 47.5" h Quarter Curve Panel
6	47.5" h 120° Connector	18	47.5" h 120° Connector
7	23" w x 47.5" h Panel w/ Conf. Door	19	23" w x 47.5" h Panel w/ Conf. Door
8	47.5" h 90° Connector	20	47.5" h 90° Connector
9	15.8053" w x 47.5" h Flat Panel	21	15.8053" w x 47.5" h Flat Panel
10	47.5" h T- Connector	22	47.5" h T- Connector
11	38" w x 47.5" h Flat Panel w/ wood core	23	38" w x 47.5" h Flat Panel w/ wood core
12	47.5" h End Cap	24	47.5" h End Cap

Steps:

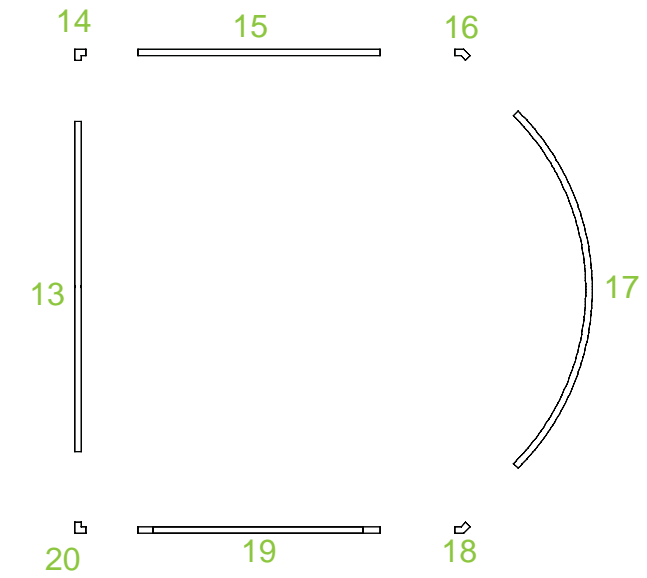
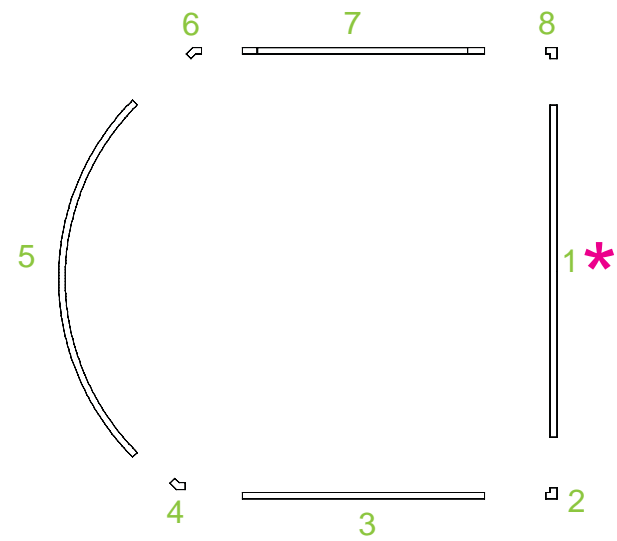
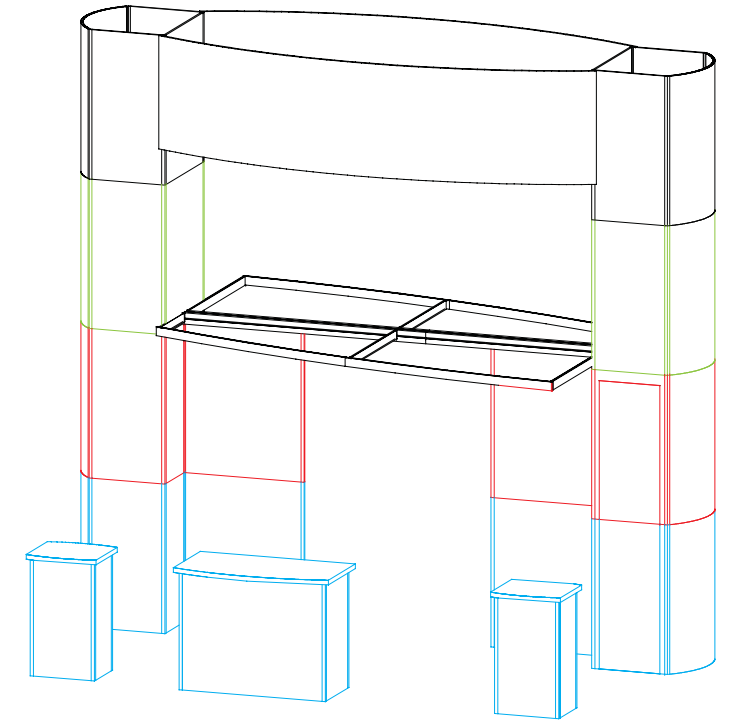
Connect panels together in numerical order starting with # 1 \* as shown in illustrations.



Item Number	Description
1	33.0986" w x 47.5" h Flat Panel w/ wood core
2	47.5" h 90° Connector
3	23" w x 47.5" h Flat Panel
4	47.5" h 120° Connector
5	23" r x 47.5" h Quarter Curve Panel
6	47.5" h 120° Connector
7	23" w x 47.5" h Panel w/ Conf. Door
8	47.5" h 90° Connector

Item Number	Description
13	33.0986" w x 47.5" h Flat Panel w/ wood core
14	47.5" h 90° Connector
15	23" w x 47.5" h Flat Panel
16	47.5" h 120° Connector
17	23" r x 47.5" h Quarter Curve Panel
18	47.5" h 120° Connector
19	23" w x 47.5" h Panel w/ Conf. Door
20	47.5" h 90° Connector

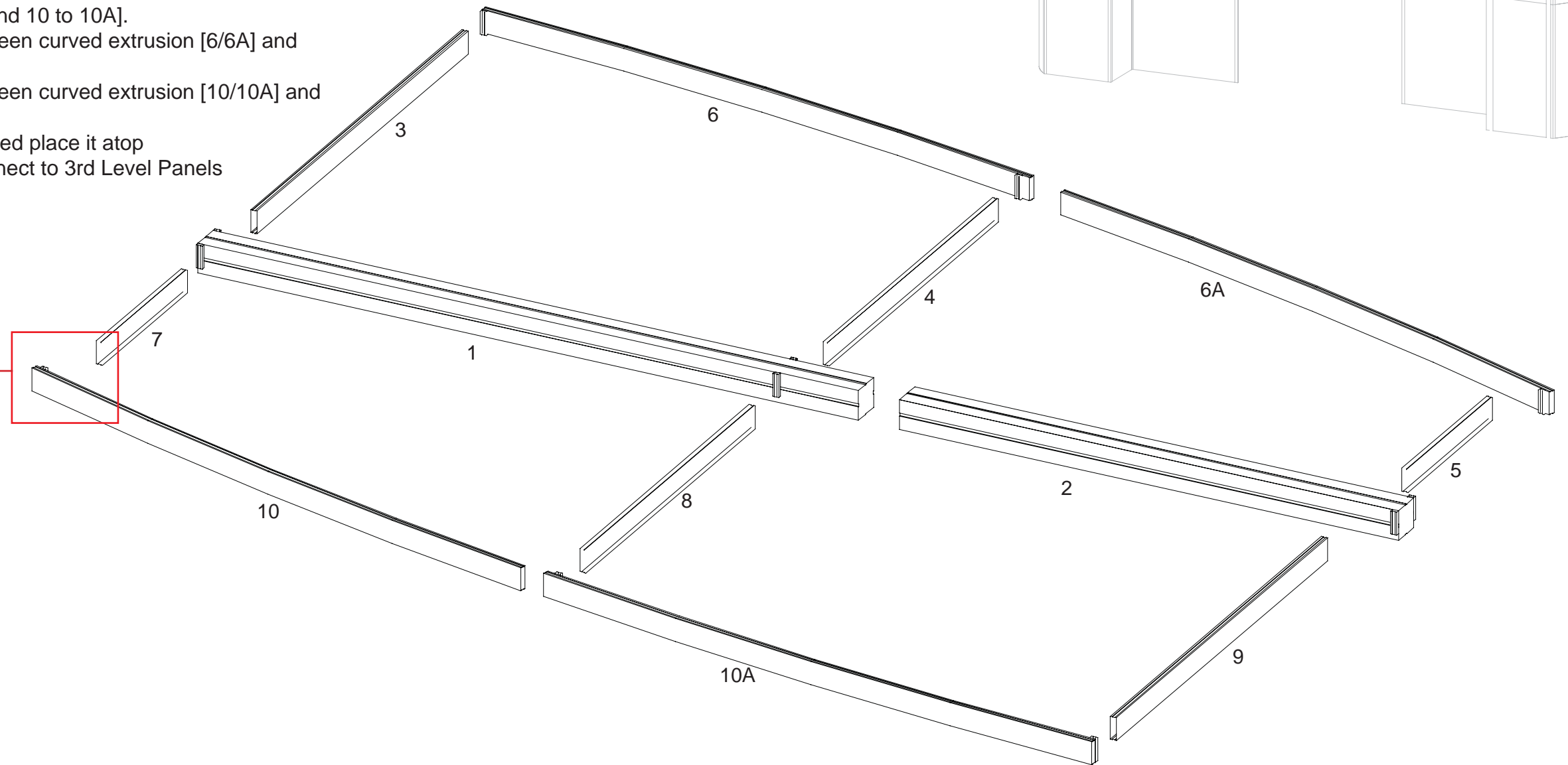
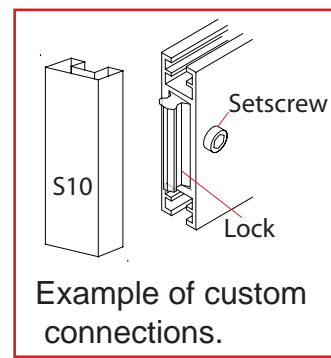
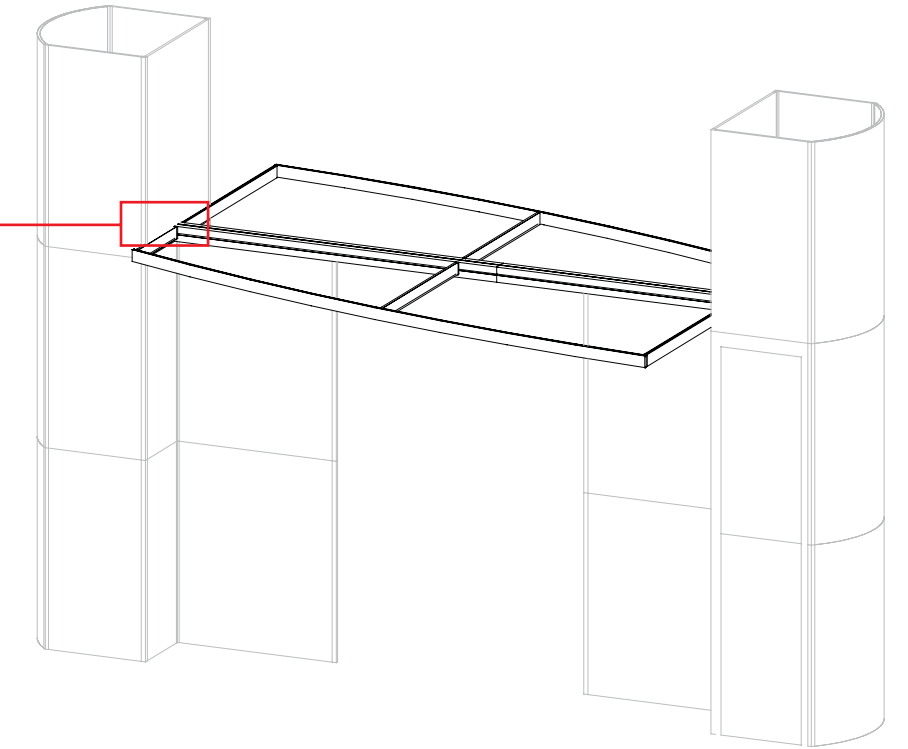
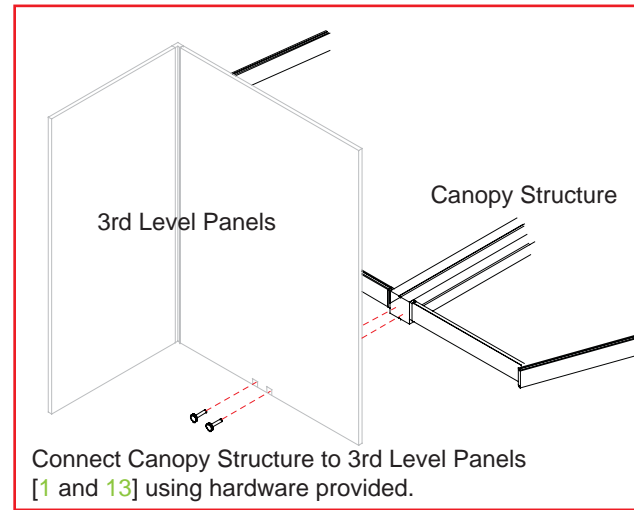
Steps:  
 Connect panels together in numerical order starting with # 1 \*  
 as shown in illustrations.



Item Number	Qty.	Description
1	1	80" Square Extrusion
2	1	60.425" Square Extrusion
3	1	50" Extrusion
4	1	40.124" Extrusion
5	1	20.124" Extrusion
6	1	72.427" Curved Extrusion
6A	1	72.427" Curved Extrusion
7	1	20.124" Extrusion
8	1	40.124" Extrusion
9	1	50" Extrusion
10	1	72.427" Curved Extrusion
10A	1	72.427" Curved Extrusion

Steps:

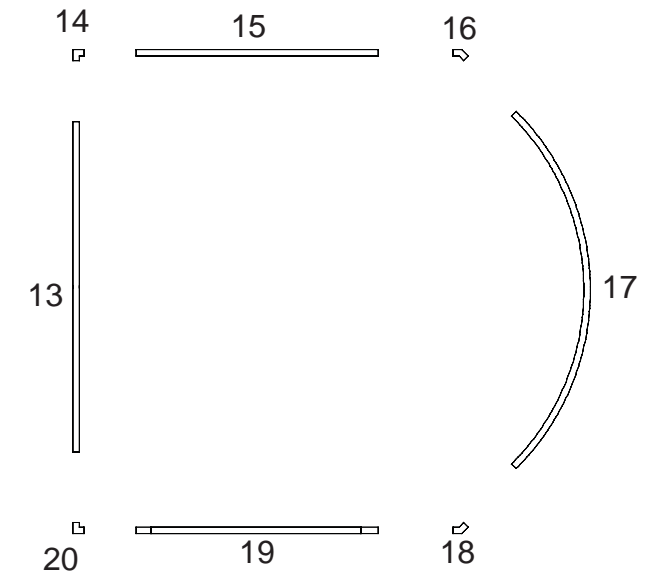
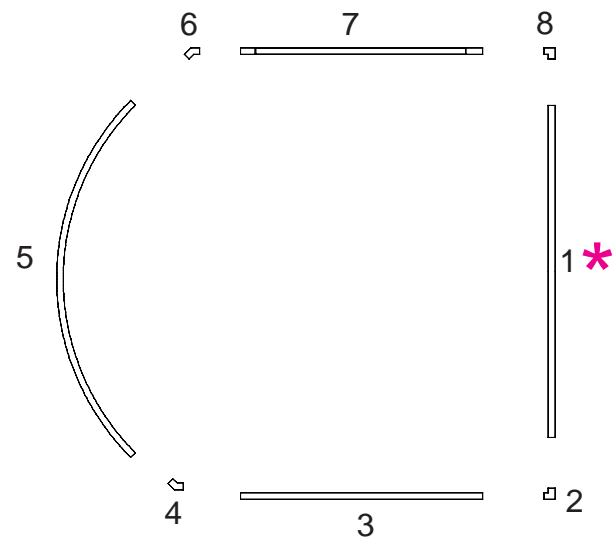
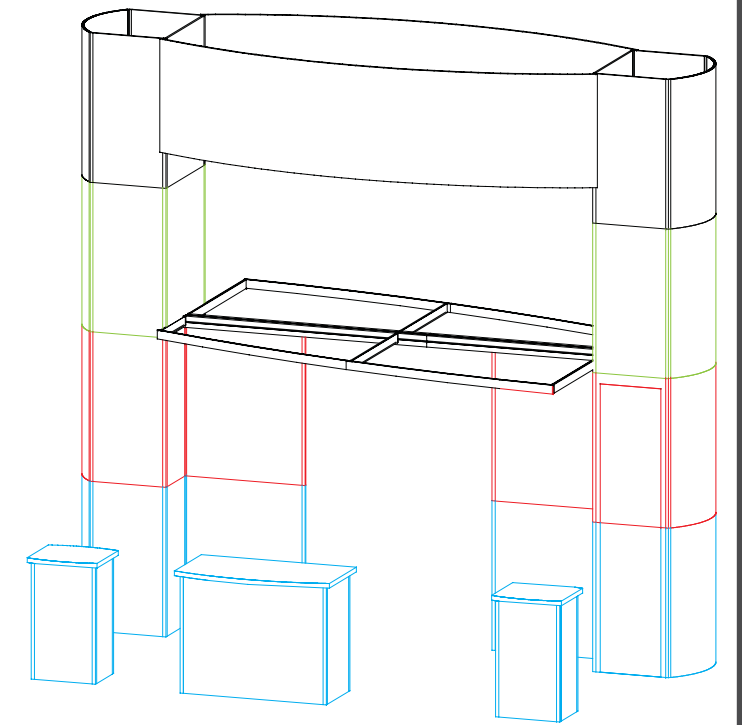
- 1) Assemble extrusions [1 to 2, 6 to 6A and 10 to 10A].
- 2) Connect extrusions [3, 4, and 5] between curved extrusion [6/6A] and square extrusion [1/2].
- 3) Connect extrusions [7, 8, and 9] between curved extrusion [10/10A] and square extrusion [1/2].
- 4) After Custom Canopy piece is assembled place it atop 2nd Level Panels [11 and 23] and connect to 3rd Level Panels [1 and 13] using hardware provided.



Item Number	Description	Item Number	Description
1	33.0986" w x 47.5" h Flat Panel	13	33.0986" w x 47.5" h Flat Panel
2	47.5" h 90° Connector	14	47.5" h 90° Connector
3	23" w x 47.5" h Flat Panel	15	23" w x 47.5" h Flat Panel
4	47.5" h 120° Connector	16	47.5" h 120° Connector
5	23" r x 47.5" h Quarter Curve Panel	17	23" r x 47.5" h Quarter Curve Panel
6	47.5" h 120° Connector	18	47.5" h 120° Connector
7	23" w x 47.5" h Panel w/ Conf. Door	19	23" w x 47.5" h Panel w/ Conf. Door
8	47.5" h 90° Connector	20	47.5" h 90° Connector

Steps:

Connect panels together in numerical order starting with # 1 \* as shown in illustrations.





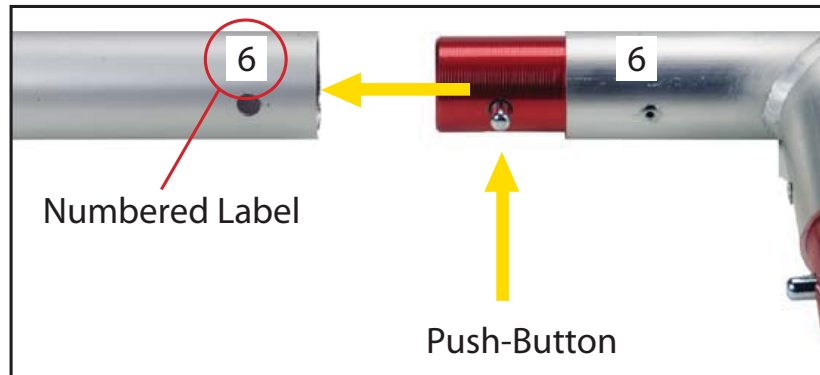
**Using Your Setup Instructions**

The Aero Overhead Sign Setup Instructions are created specifically for your configuration. They include an exploded view of the frame which is sequentially numbered. We encourage you to study the instructions before attempting to assemble your exhibit.

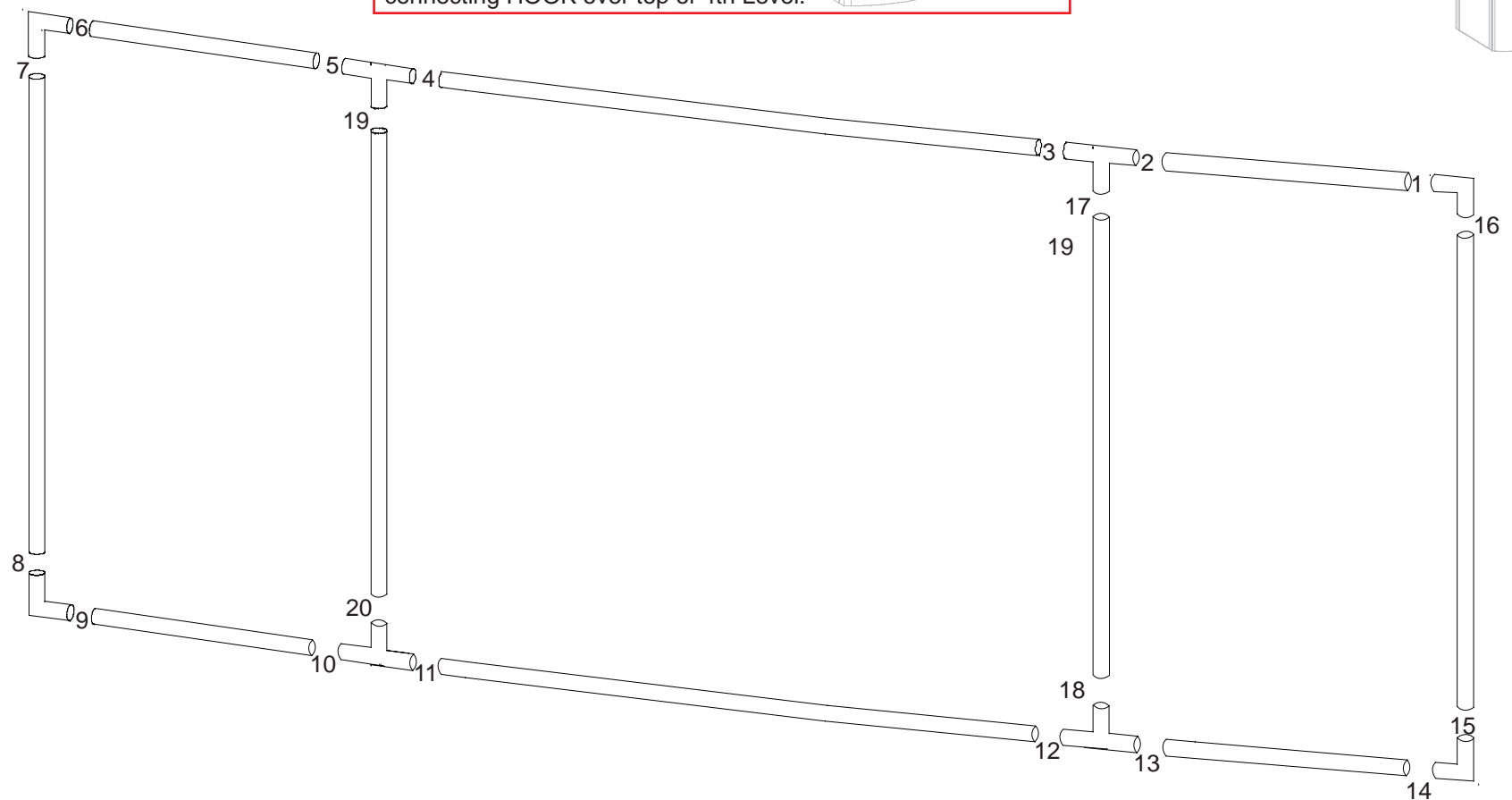
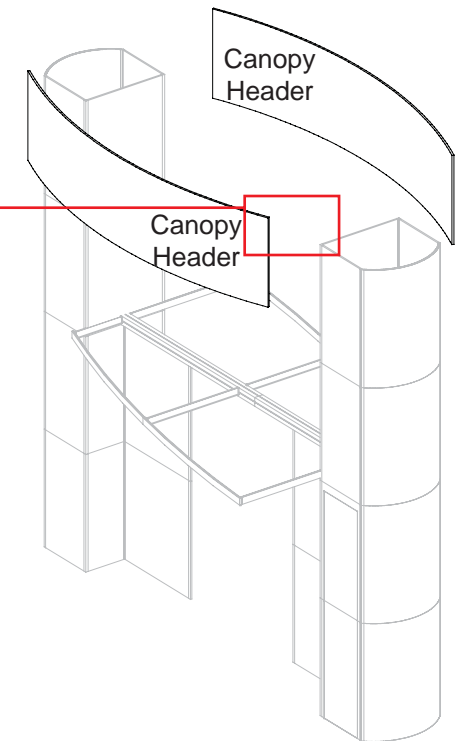
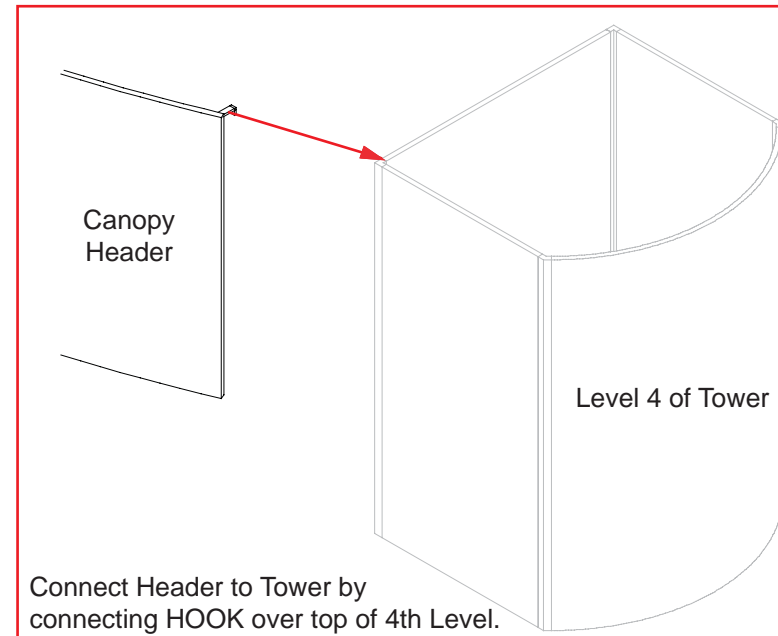
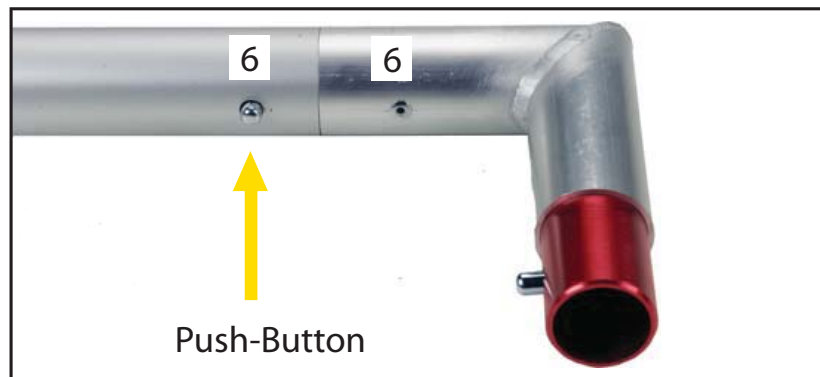
Connections are kept very simple: no tools. Everything assembles with push-button connectors and pre-connected horizontal sections.

**Cleaning and Packing Your Display**

- 1) Use care when cleaning aluminum extrusion or acrylic inserts. Use only non-abrasive cleaners.
- 2) Retain all packing material. It will make re-packing much easier and will reduce the likelihood of shipping damage.



Connections are made by holding the button down and sliding the red tube into opposing tube until the connection is made. To disassemble push button and pull or twist extrusions apart.



Assemble Aero Frame following numbers in numerical order.

2nd Frame is Labeled in RED.