

WHEN DISASSEMBLING ALUMINUM EXTRUSION, TIGHTEN ALL SETSCREWS AND LOCKS TO PREVENT LOSS DURING SHIPPING

visionary™ IDESIGNS

Using Your Setup Instructions

The Visionary Designs Setup Instructions are created specifically for your configuration. They are laid out sequentially, including an exploded view of the entire display, and then a logical series of detailed steps to assemble the main structure and components. We encourage you to study the instructions **before** attempting to assemble your exhibit.

Each page reminds you to tighten the setscrews after disassembling your exhibit to prevent loss of the locks and setscrews (see below in RED). This is **VERY IMPORTANT**.

Cleaning and Packing Your Display

- 1) Use care when cleaning aluminum extrusion or acrylic inserts. Use only non-abrasive cleaners.
- 2) When cleaning laminate inserts or countertops, use mild cleansers and a soft material such as cotton.
- 3) Keep all display components away from extreme heat and long exposure to sunlight to avoid warping and fading.
- 4) Retain all packing material. It will make re-packing much easier and will reduce the likelihood of shipping damage.



The Tool

Most Visionary Designs exhibits can be assembled with the supplied Hex Key Tool. Occasionally, a flat head screwdriver may be required.



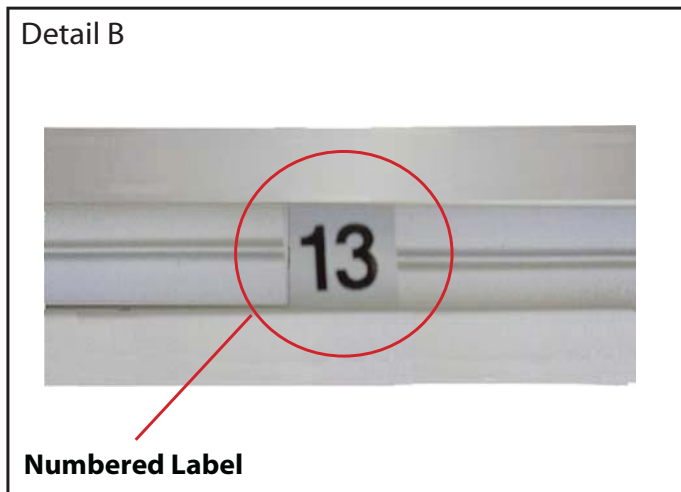
Detail A

Typical Connection



Typical Connection (cont'd)

Most horizontal extrusion connections have a patented expandable lock. This lock inserts into the groove of an opposing extrusion. Tightening the lock with the Hex Key Tool expands the lock and creates a strong positive connection.



Detail B

Numbered Label

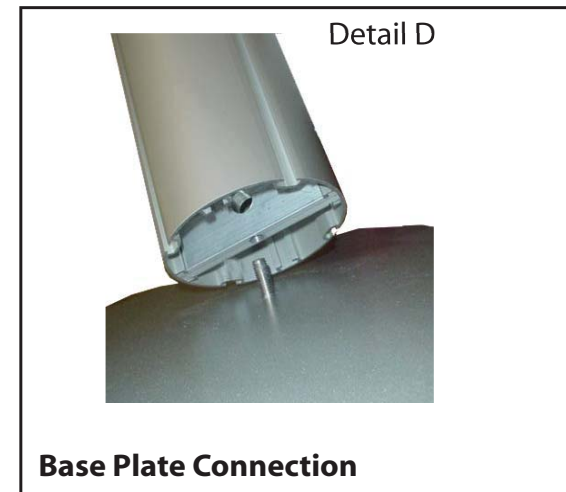
Each extrusion contains a numbered label which corresponds with setup instructions. The label is located within a groove of the extrusion (when possible). With Visionary Designs the labels contain Black numbers unless otherwise specified.



Detail C

Horizontal Inline Connection (remove only one setscrew)

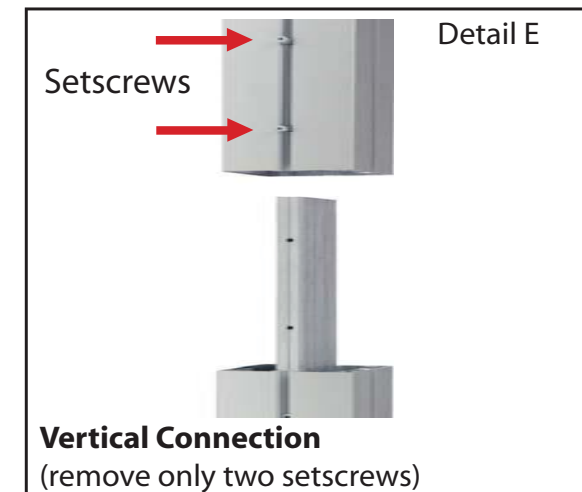
Remove only (1) setscrew when disassembling. Replace setscrew in extrusion after assembling it. Before packing, replace setscrew in extrusion to avoid losing it.



Detail D

Base Plate Connection

Attach base plate to round or square vertical extrusion using the bolt provided. Be careful not to strip the threads.



Detail E

Vertical Connection

(remove only two setscrews)

When vertical extrusions are packed in portable cases rather than crates or tubs, they must be broken down into smaller sections which then require assembly.

Remove only (2) setscrews when disassembling. Replace setscrews in extrusion after assembling it. Before packing, replace setscrews in extrusion to avoid losing them.

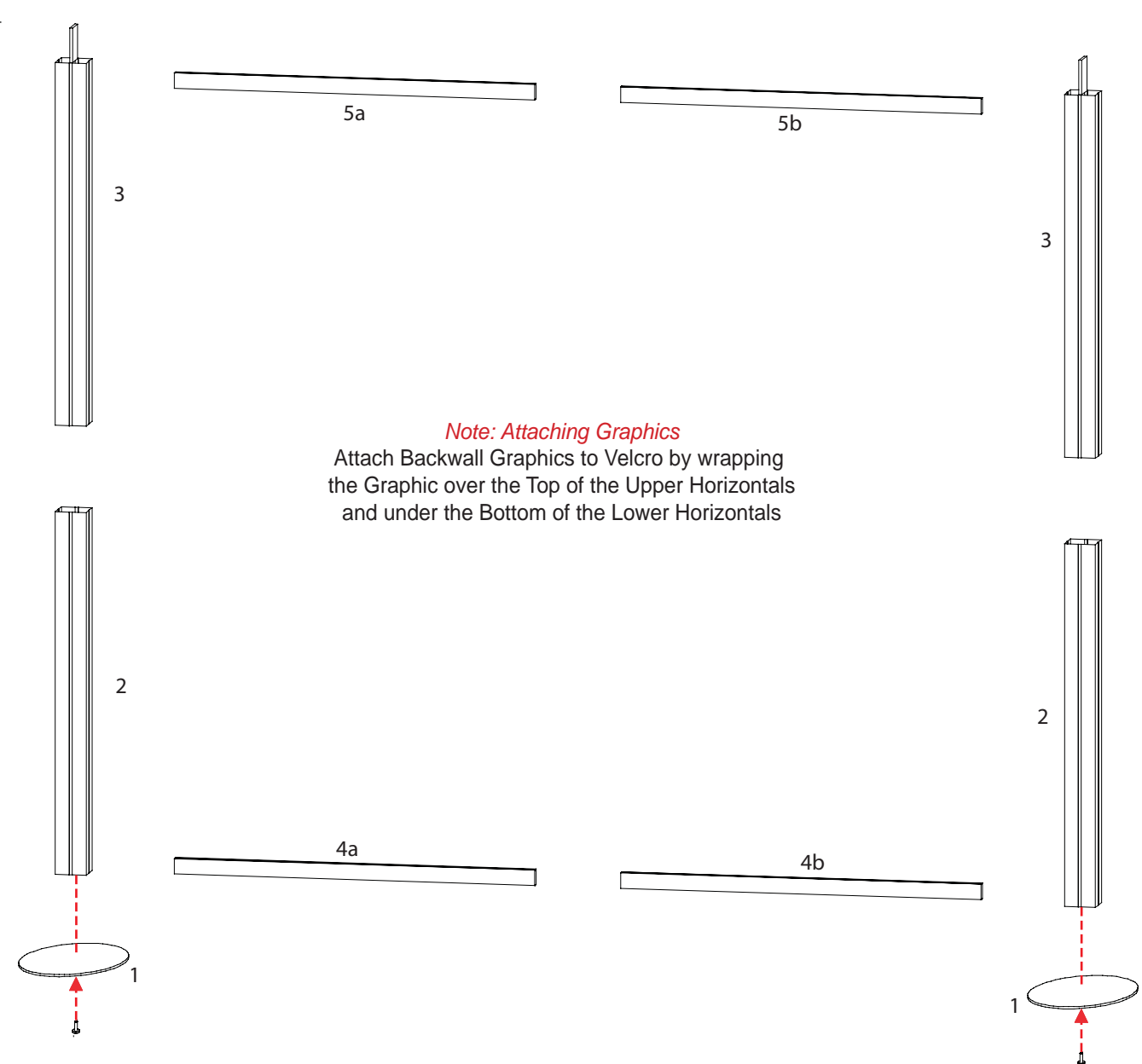
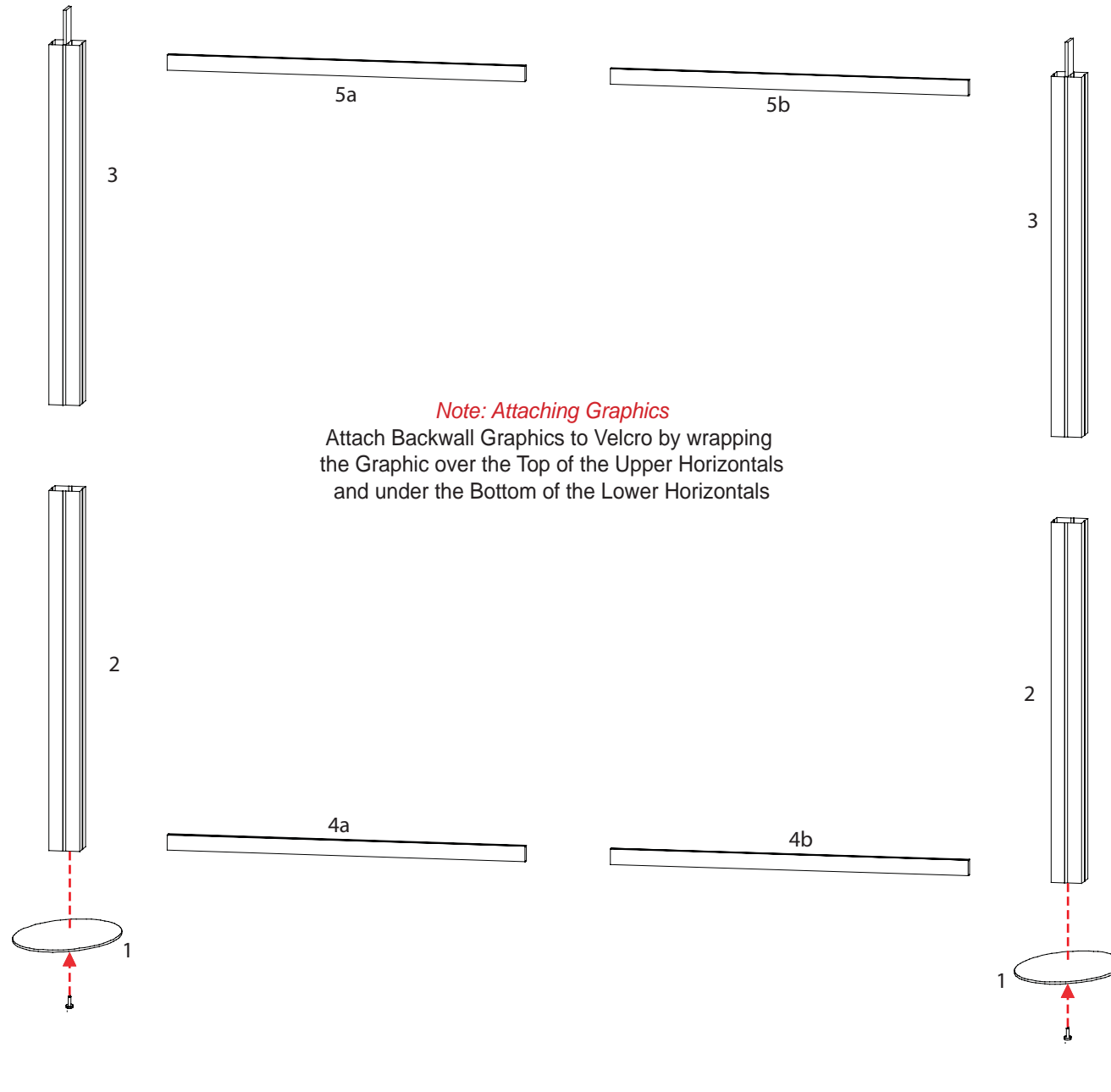
WHEN DISASSEMBLING ALUMINUM EXTRUSION, TIGHTEN ALL SETSCREWS AND LOCKS TO PREVENT LOSS DURING SHIPPING

Part Number	Qty for Step	Description
1	4	Base Plates
2	4	42" h Lower Vertical extrusion
3	4	42" h Upper Vertical extrusion
4a/4b	2/2	42" Lower Formed Horizontal w/ Velcro attached to Top of member
5a/5b	2/2	42" Middle Formed Horizontal w/ Velcro attached to Bottom of member

Steps

- 1) Attach vertical extrusions [2] and 40" to the oval base plates [1], see detail D on general information page.
 - 2) Place upper vertical extrusions [3] atop of lower vertical extrusions [2].
 - 3) Assemble all horizontal extrusions together [4a to 4b and 5a to 5b].
 - 4) Attach lower horizontal assemblies [4a/4b] between vertical assemblies [2 and 3] as shown.
- NOTE:** Velcro on Lower Horizontals must face UP.
- 5) Attach upper horizontal assemblies [5a/5b] between vertical assemblies [2 and 3] as shown.
- NOTE:** Velcro on Upper Horizontals must face DOWN.

Repeat Steps for additional 10 x 10 unit to create 10 x 20 unit.



WHEN DISASSEMBLING ALUMINUM EXTRUSION, TIGHTEN ALL SETSCREWS AND LOCKS TO PREVENT LOSS DURING SHIPPING

Wing Attachment

Slide A10 Clamp into groove of square extrusion.



When desired location is found, tighten set screw to secure.



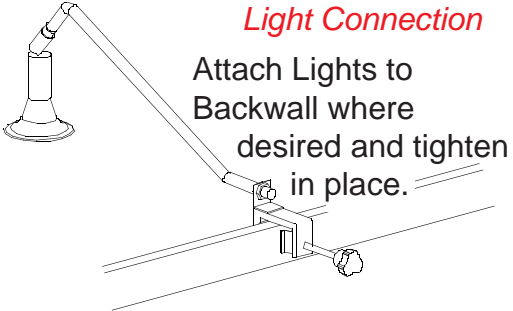
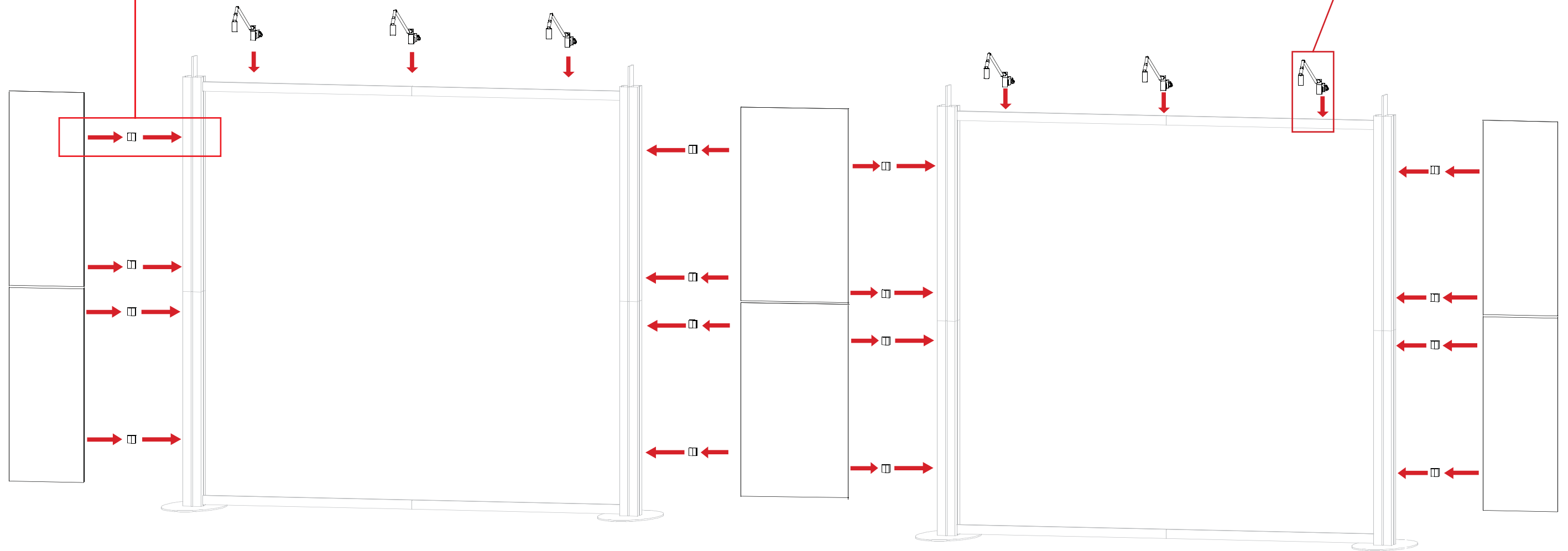
Tighten black plastic set screw to secure Wing in place.



Labels: A10, Set-Screw, Black Plastic Set-screw

Light Connection

Attach Lights to Backwall where desired and tighten in place.

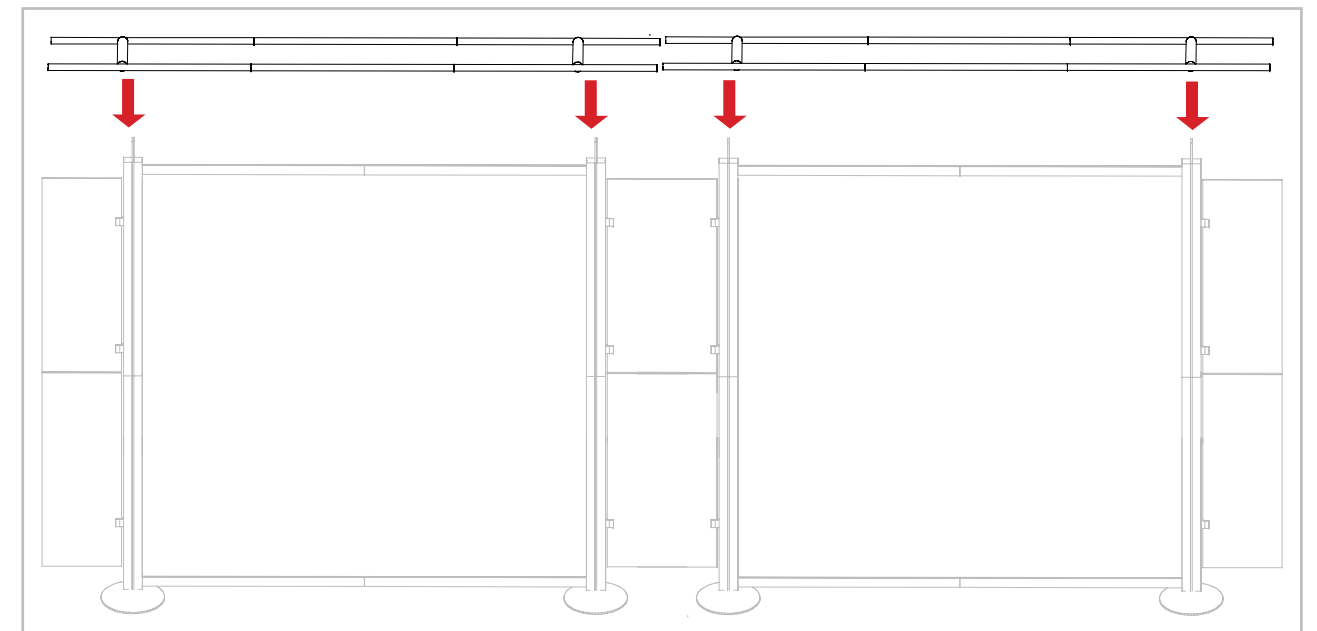
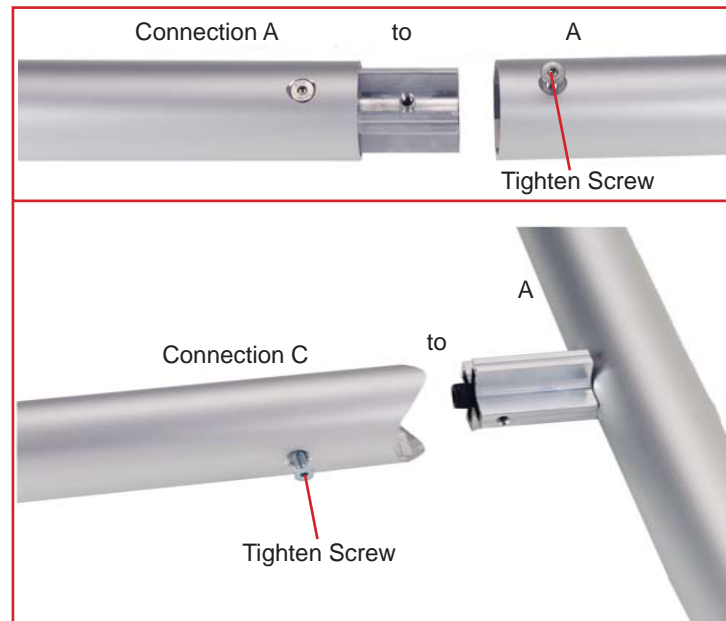
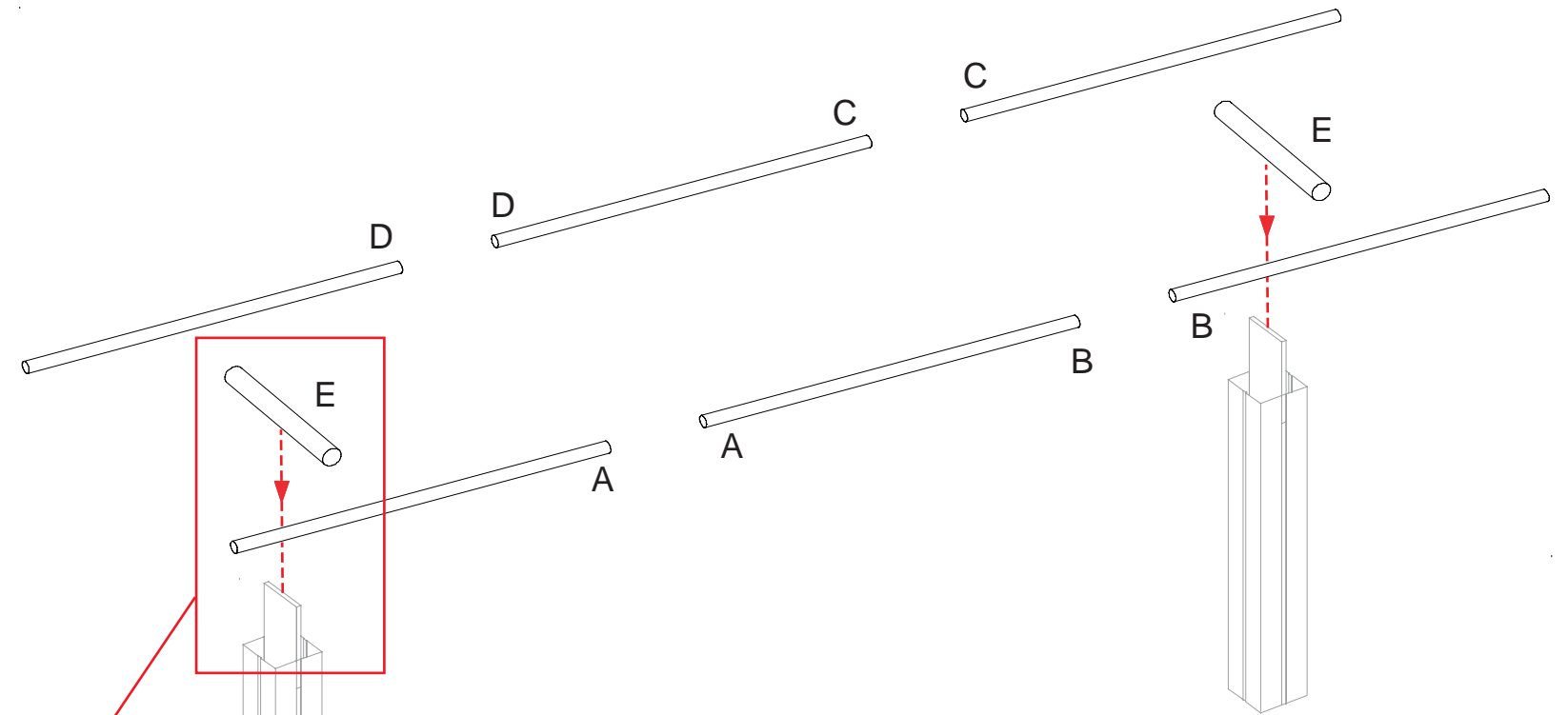
WHEN DISASSEMBLING ALUMINUM EXTRUSION, TIGHTEN ALL SETSCREWS AND LOCKS TO PREVENT LOSS DURING SHIPPING

Item	Quantity	Description
A	2	38" Round extrusion
AB	2	38" Round extrusion
B	2	38" Round extrusion
C	2	38" Round extrusion
CD	2	38" Round extrusion
D	2	38" Round extrusion
E	4	14.25" Round extrusion

Steps:

- 1) Connect (A) round extrusion to (AB) round extrusion.
- 2) Connect (AB) round extrusion to (B) round extrusion.
- 3) Connect (C) round extrusion to (CD) round extrusion.
- 4) Connect (CD) round extrusion to (D) round extrusion.
- 5) Connect (A) round extrusion and (D) round extrusion to (E) extrusion.
- 6) Connect (B) round extrusion and (C) round extrusion to (E) extrusion.
- 7) Attach Canopy Assembly to Vertical extrusions with Canopy attachments.

Repeat Steps for Second Canopy.



WHEN DISASSEMBLING ALUMINUM EXTRUSION, TIGHTEN ALL SETSCREWS AND LOCKS TO PREVENT LOSS DURING SHIPPING

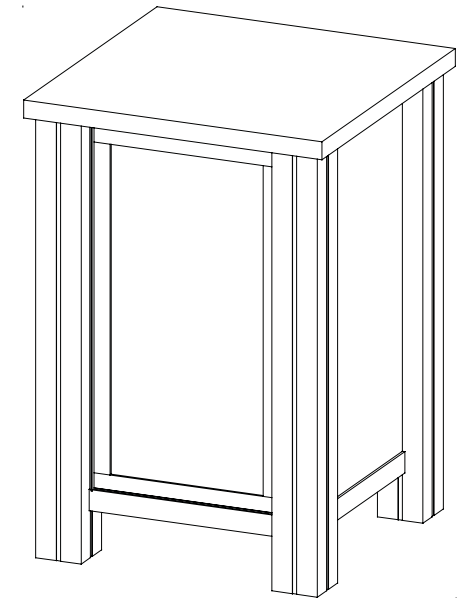
Item	Qty.	Description
6	1	38" Vertical Extrusion
6a	1	Vertical Extrusion/ Door Stopper
7	2	38" Vertical Extrusion
8	1	38" Vertical Extrusion
9	8	15" Horizontal Extrusion

Steps:

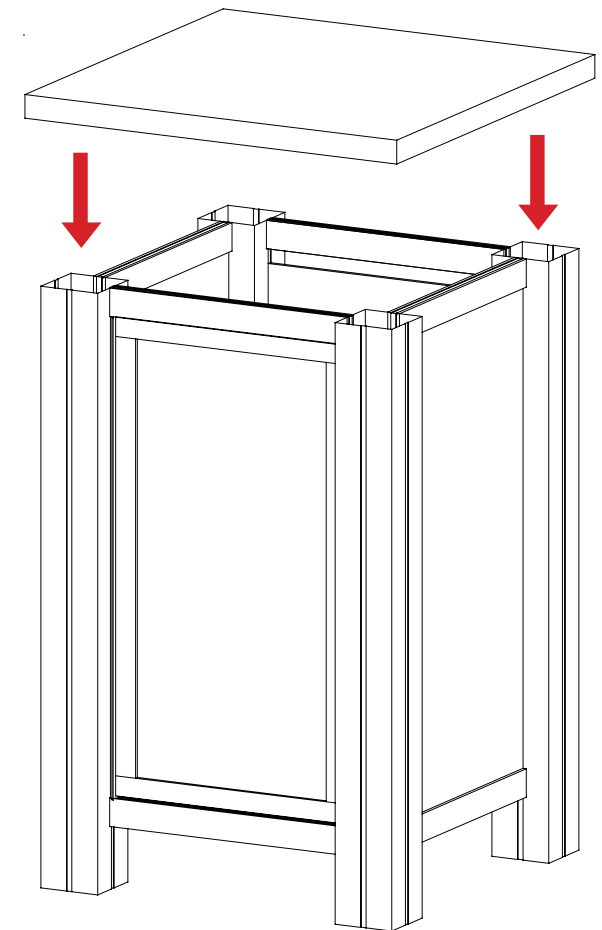
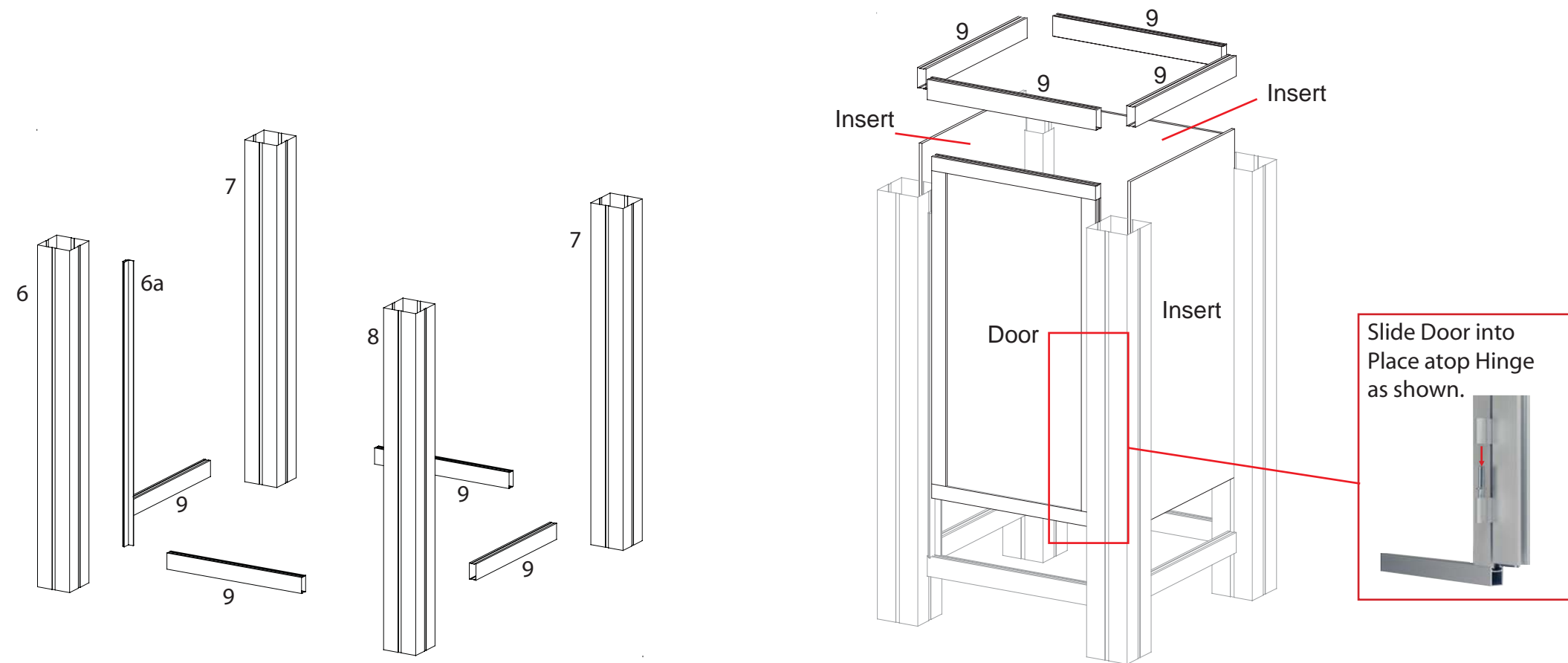
- 1) Attach door stopper extrusion [6a] to vertical extrusion [6].
- 2) Connect horizontal extrusions [9] between vertical extrusions [6/6a, 7 and 8] as shown.
- 3) Place inserts as shown.
- 4) Connect horizontal extrusions [9] between vertical extrusions [6/6a, 7 and 8] and atop inserts.
- 5) Place center top atop assembled pedestal as shown.
- 6) Repeat steps for additional pedestals.

NOTE: Pedestal Doors are opposing, 2 hinge LEFT and the other 2 hinge RIGHT.

866.652.2100



QTY. 4



WHEN DISASSEMBLING ALUMINUM EXTRUSION, TIGHTEN ALL SETSCREWS AND LOCKS TO PREVENT LOSS DURING SHIPPING