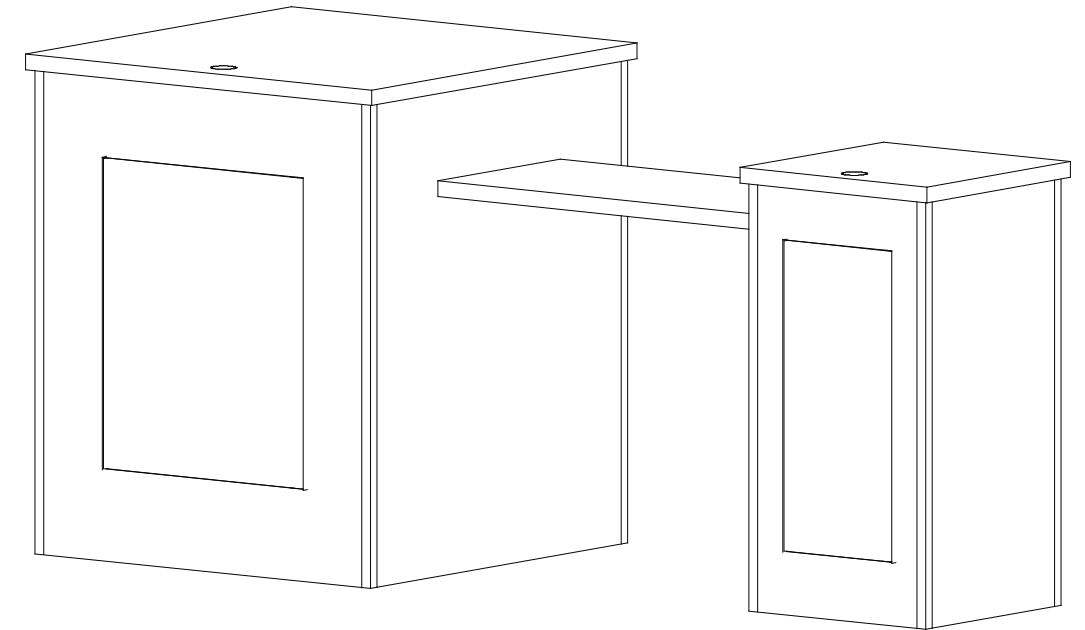


# euro It | HYBRIDS

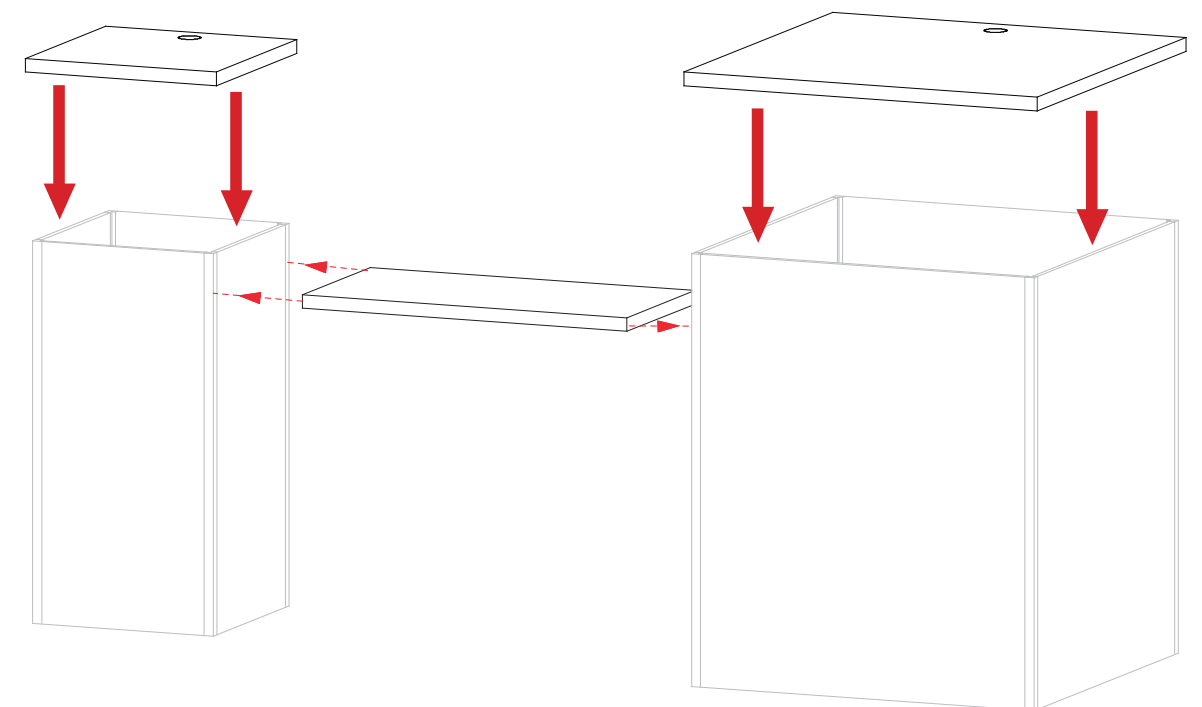
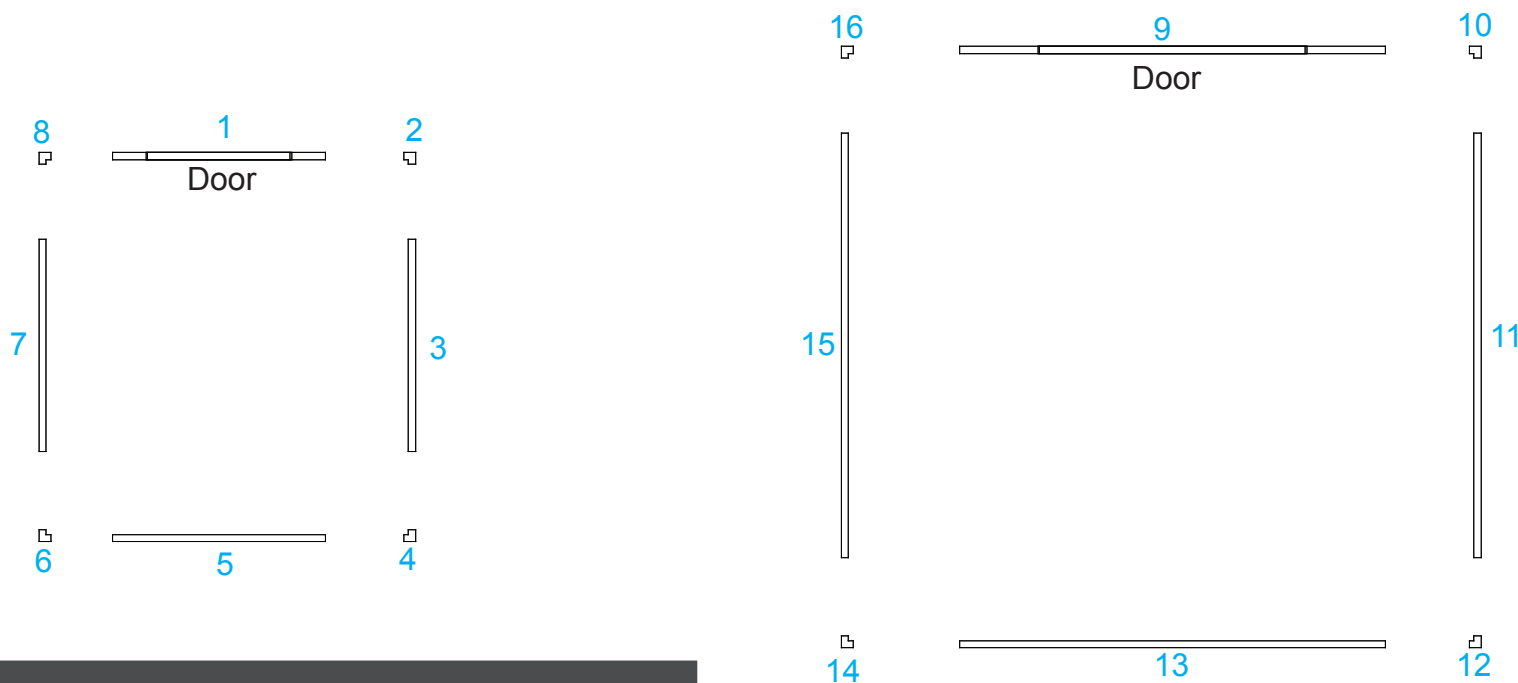
Item Number	Description
1	19" w x 42" h Flat Panel w/Door
2	42" h 90° Connector
3	19" w x 42" h Flat Panel
4	42" h 90° Connector
5	19" w x 42" h Flat Panel
6	42" h 90° Connector
7	19" w x 42" h Flat Panel
8	42" h 90° Connector
9	38" w x 47.5" h Flat Panel w/Door
10	47.5" h 90° Connector
11	38" w x 47.5" h Flat Panel
12	47.5" h 90° Connector
13	38" w x 47.5" h Flat Panel
14	47.5" h 90° Connector
15	38" w x 47.5" h Flat Panel
16	47.5" h 90° Connector



Steps:  
Connect panels together in numerical order as shown in illustrations.

Set counter atop assembled pedestals.

Attach center counter to panel [15] and connectors [2 and 4] using bolts provided.



# euro lt | HYBRIDS

## Euro LT Hybrids General Setup Instructions

### Using Your Setup Instructions

The Euro LT Hybrids Setup Instructions are created specifically for your configuration. They are laid out sequentially in levels, including exploded views, and a logical series of detailed steps to assemble the main structure and components. We encourage you to study the instructions **before** attempting to assemble your exhibit.

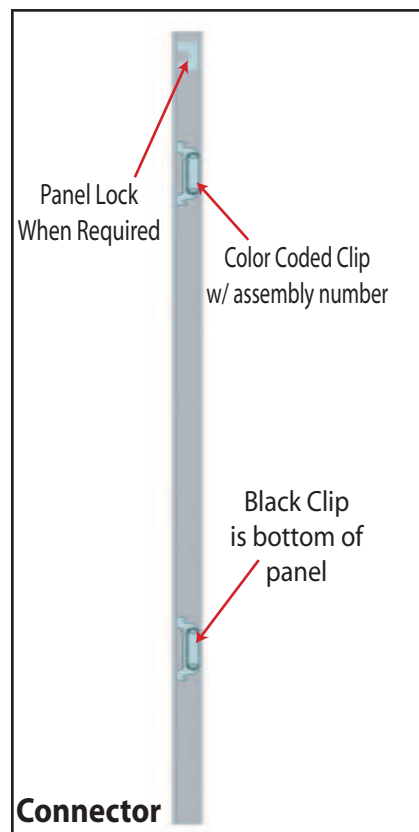
### Cleaning and Packing Your Display

- 1) When cleaning laminate countertops or panels use mild cleansers and a soft material such as cotton.
- 2) Keep all display components away from extreme heat and long exposure to sunlight to avoid warping and fading.
- 3) Retain all packing material. It will make re-packing much easier and will reduce the likelihood of shipping damage.

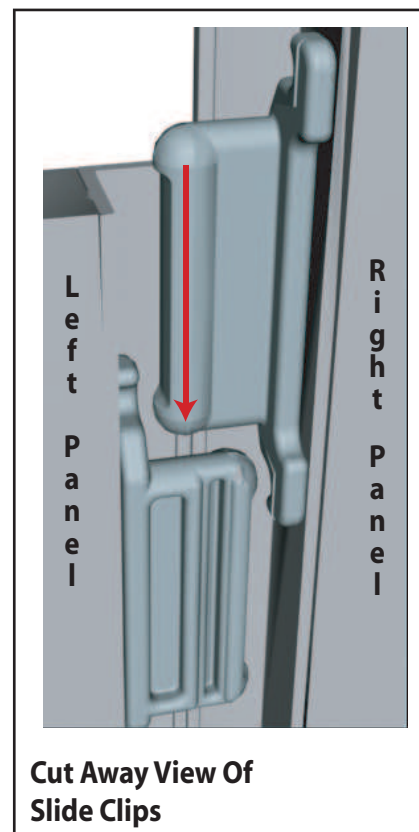
Level 1 = Blue  
 Level 2 = Red  
 Level 3 = Green  
 Level 4 = Black

#### Color Code

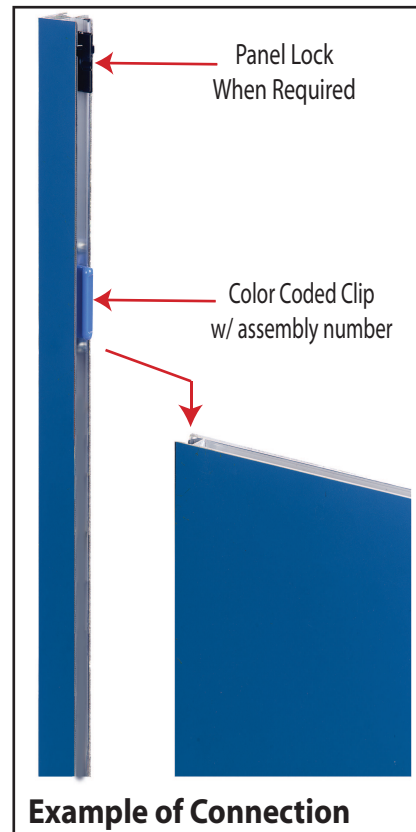
The top clip is color coded to distinguish the level. The color coded clip also contains the numbered label



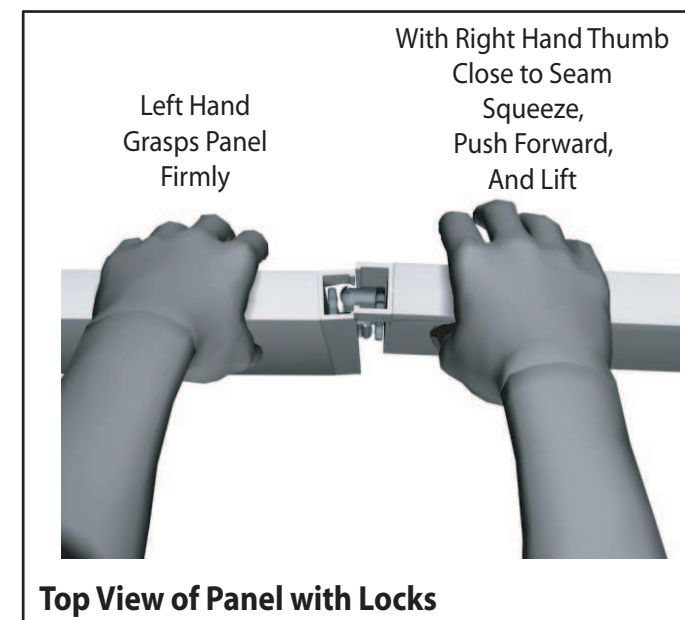
Each component has 2 clips, the lower clip is ALWAYS black..



Components connect together by aligning them and sliding downward connecting clips together.



Configurations are assembled from left to right, usually starting with #1 and following the numbered sequence.



The first level of components contains panel locks that are located at the top of the panel for extra stability and a seamless connection. When disassembling panels, twist top connection slightly and lift right panel upward.

