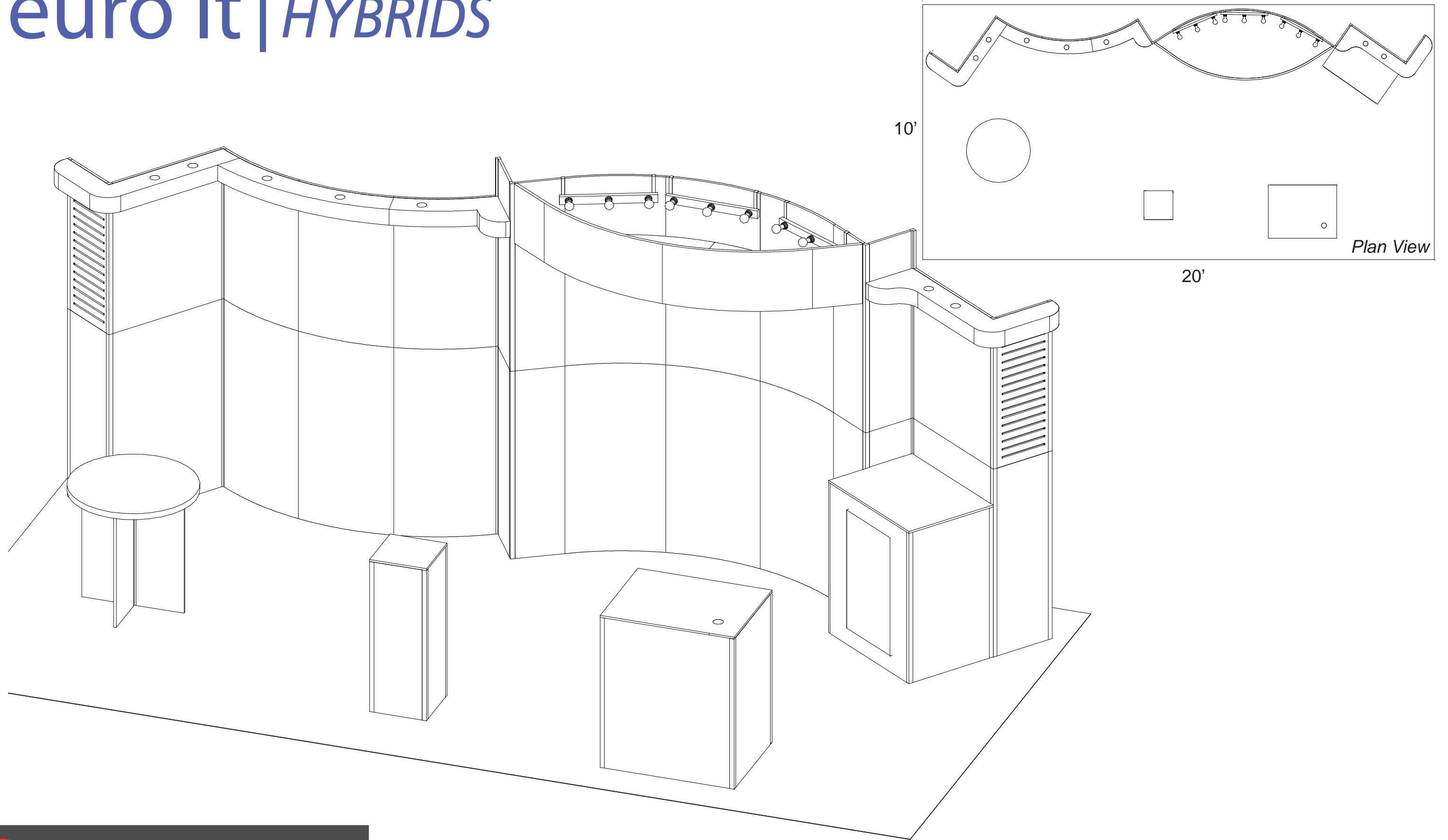


euro It | HYBRIDS

866.652.2100



euro It | HYBRIDS

Euro LT Hybrids General Setup Instructions

Using Your Setup Instructions

The Euro LT Hybrids Setup Instructions are created specifically for your configuration. They are laid out sequentially in levels, including exploded views, and a logical series of detailed steps to assemble the main structure and components. We encourage you to study the instructions **before** attempting to assemble your exhibit.

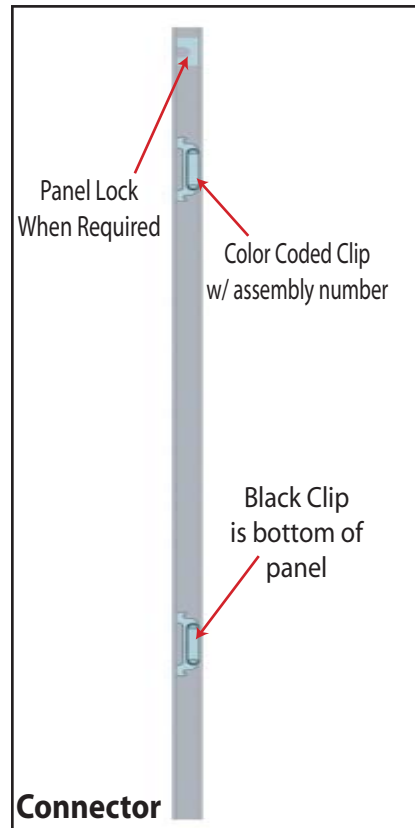
Cleaning and Packing Your Display

- 1) When cleaning laminate countertops or panels use mild cleansers and a soft material such as cotton.
- 2) Keep all display components away from extreme heat and long exposure to sunlight to avoid warping and fading.
- 3) Retain all packing material. It will make re-packing much easier and will reduce the likelihood of shipping damage.

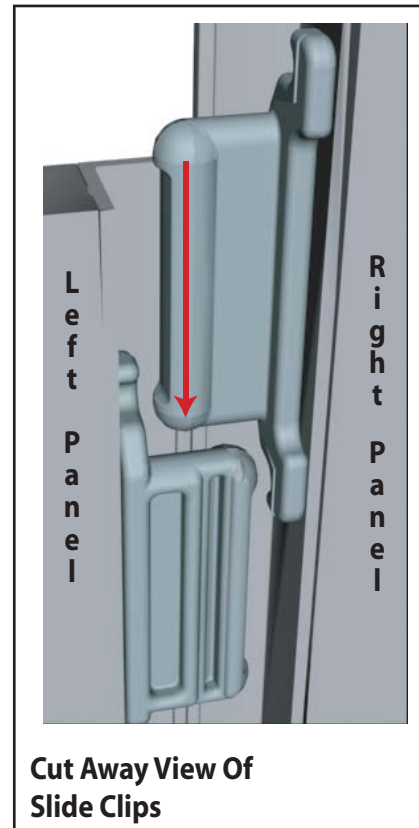
Level 1 = Blue
 Level 2 = Red
 Level 3 = Green
 Level 4 = Black

Color Code

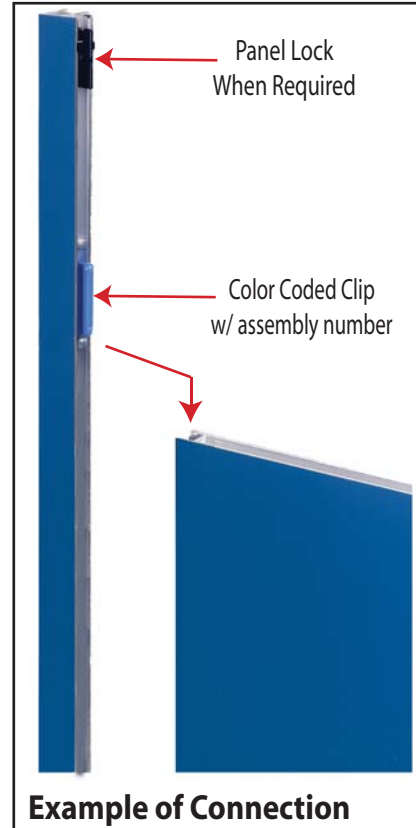
The top clip is color coded to distinguish the level. The color coded clip also contains the numbered label



Each component has 2 clips, the lower clip is ALWAYS black..



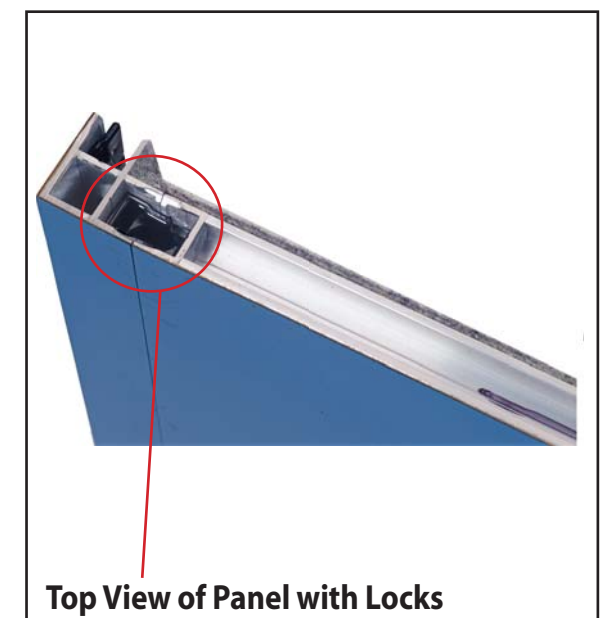
Components connect together by aligning them and sliding downward connecting clips together.



Configurations are assembled from left to right, usually starting with #1 and following the numbered sequence.

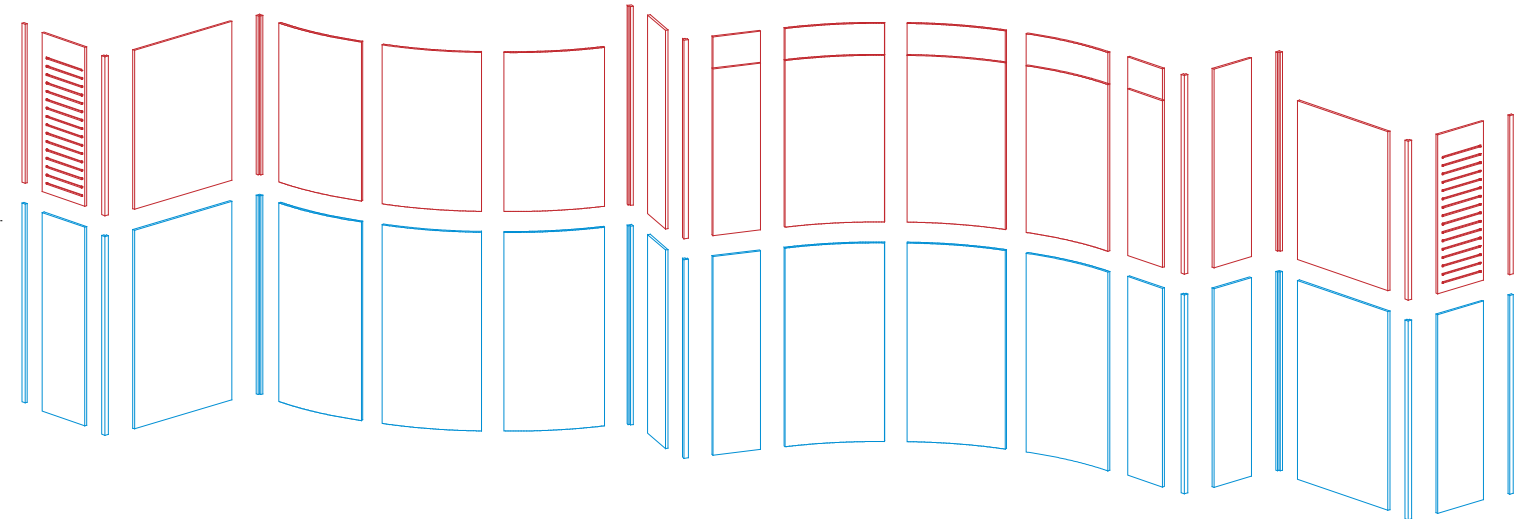


The first level of components contains panel locks that are located at the top of the panel for extra stability and a seamless connection. When disassembling panels, twist top connection slightly and lift right panel upward.



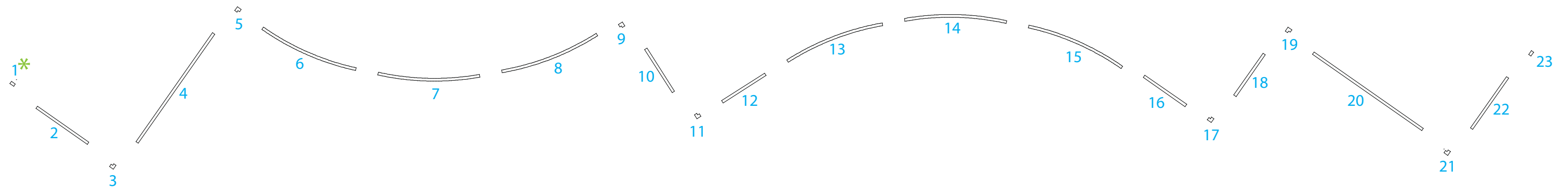
866.652.2100

Item Number	Description	Item Number	Description
1	47.5"h End Cap	12	11.5"w x 47.5"h Flat Panel
2	14.125"w x 47.5"h Flat Panel	13	57.5"r x 47.5"h Curved Panel
3	47.5"h 90° Connector	14	57.5"r x 47.5"h Curved Panel
4	30"w x 47.5"h Flat Panel w/ Internal Rib for Lit. Attachment	15	57.5"r x 47.5"h Curved Panel
5	47.5"h 90° Connector	16	11.5"w x 47.5"h Flat Panel
6	57.5"r x 47.5"h Curved Panel	17	47.5"h 90° Connector
7	57.5"r x 47.5"h Curved Panel	18	11.5"w x 47.5"h Flat Panel
8	57.5"r x 47.5"h Curved Panel	19	47.5"h 90° Connector
9	47.5"h 90° Connector	20	30"w x 47.5"h Flat Panel
10	11.5"w x 47.5"h Flat Panel	21	47.5"h 90° Connector
11	47.5"h 90° Connector	22	14.125"w x 47.5"h Flat Panel
		23	47.5"h End Cap



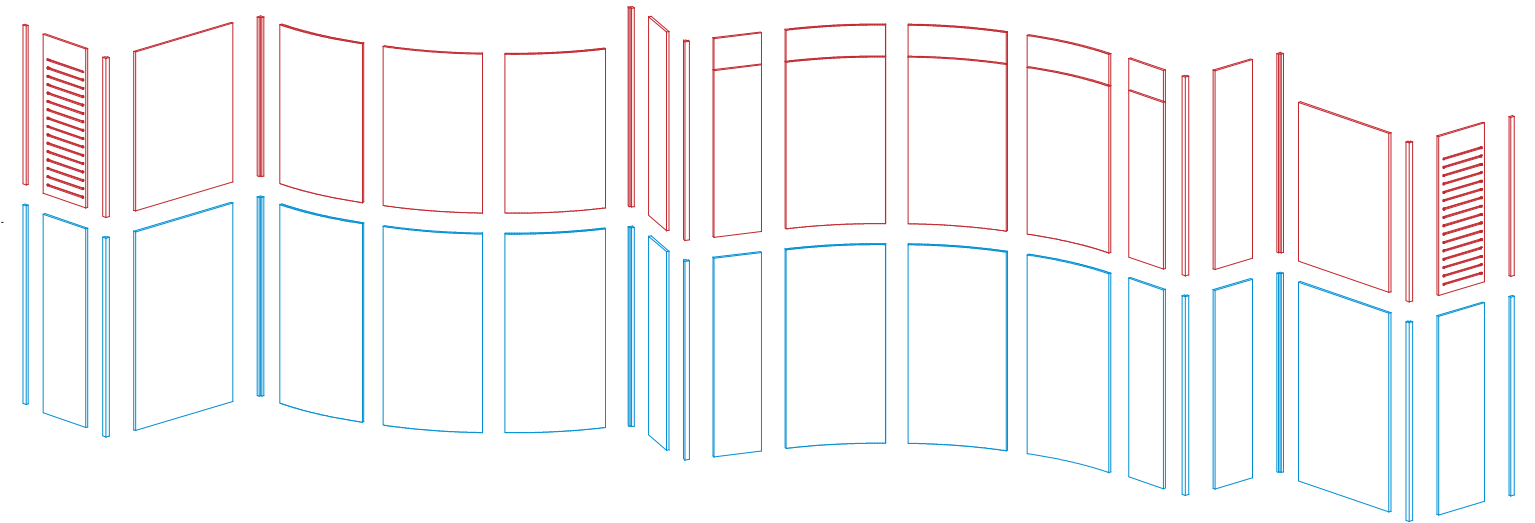
Steps:

- 1) Assemble by starting at panel #1* and continue in numerical order.



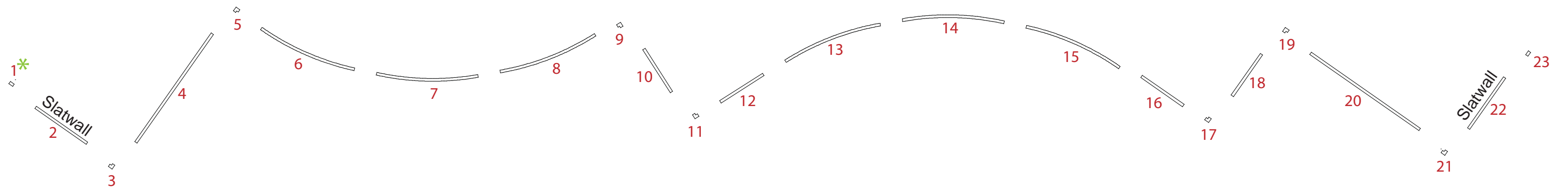
866.652.2100

Item Number	Description	Item Number	Description
1	38" h End Cap	12	11.5" w x 47.5" h Flat Panel
2	14.125" w x 38" h Slatwall Panel	13	57.5" r x 47.5" h Curved Panel
3	38" h 90° Connector	14	57.5" r x 47.5" h Curved Panel
4	30" w x 38" h Flat Panel w/ Wood Core	15	57.5" r x 47.5" h Curved Panel
5	38" h 90° Connector	16	11.5" w x 47.5" h Flat Panel
6	57.5" r x 38" h Curved Panel	17	47.5" h 90° Connector
7	57.5" r x 38" h Curved Panel	18	11.5" w x 47.5" h Flat Panel
8	57.5" r x 38" h Curved Panel	19	47.5" h 90° Connector
9	47.5" h 90° Connector	20	30" w x 38" h Flat Panel w/ Wood Core
10	11.5" w x 47.5" h Flat Panel	21	38" h 90° Connector
11	47.5" h 90° Connector	22	14.125" w x 38" h Slatwall Panel
		23	38" h End Cap



Steps:

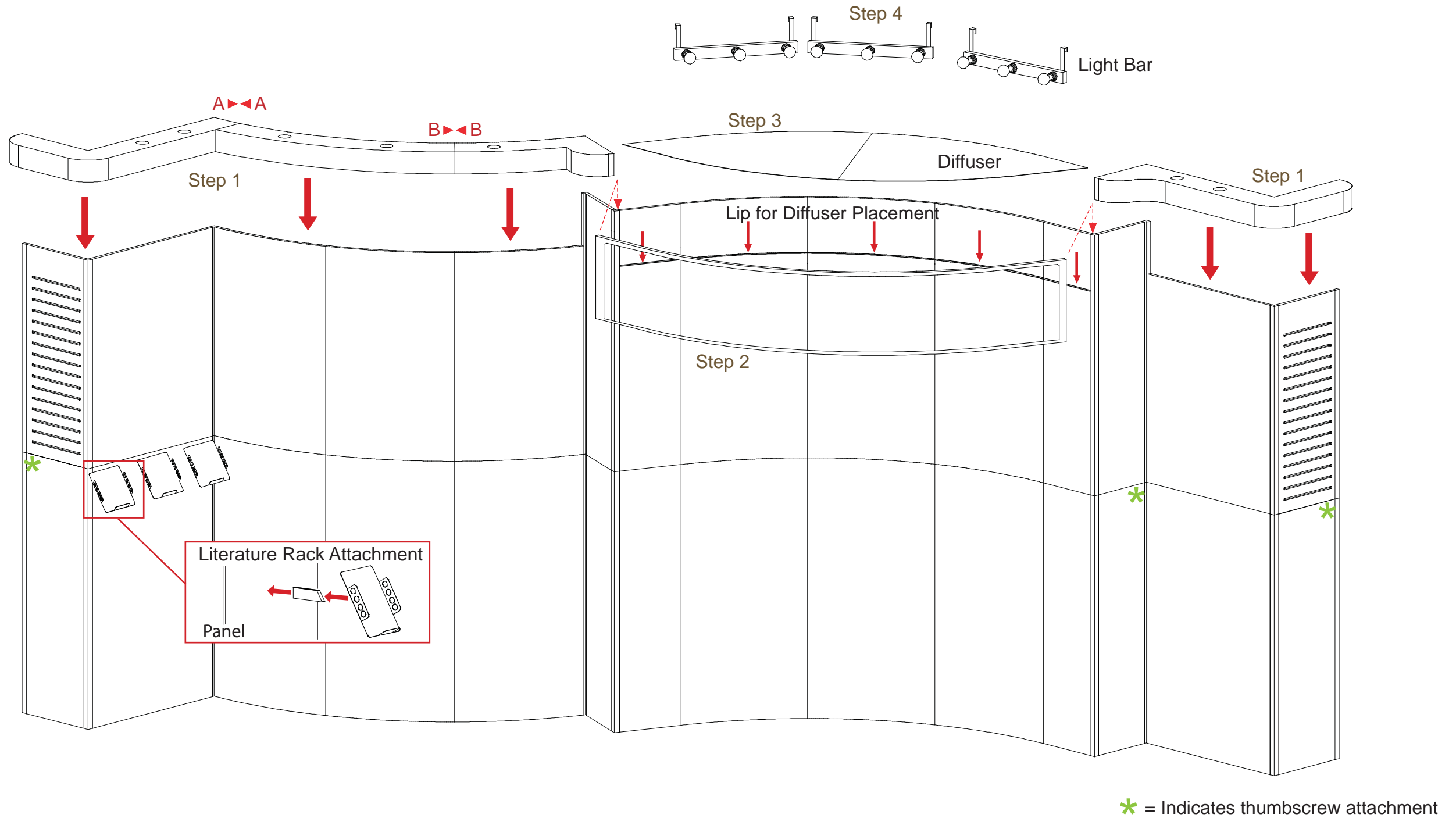
- 1) Assemble by starting at panel #1* and continue in numerical order.



866.652.2100

Steps:

- 1) Hook custom blade headers to top of assembled backwall.
- 2) Hook curved header frame to backwall as shown.
- 3) Set diffusers on lips located on backwall panels and back of header frame
- 4) Hook light bars to top of backwall as shown.
- 5) Attach thumbscrew to back of assembled backwall as indicated for stability.

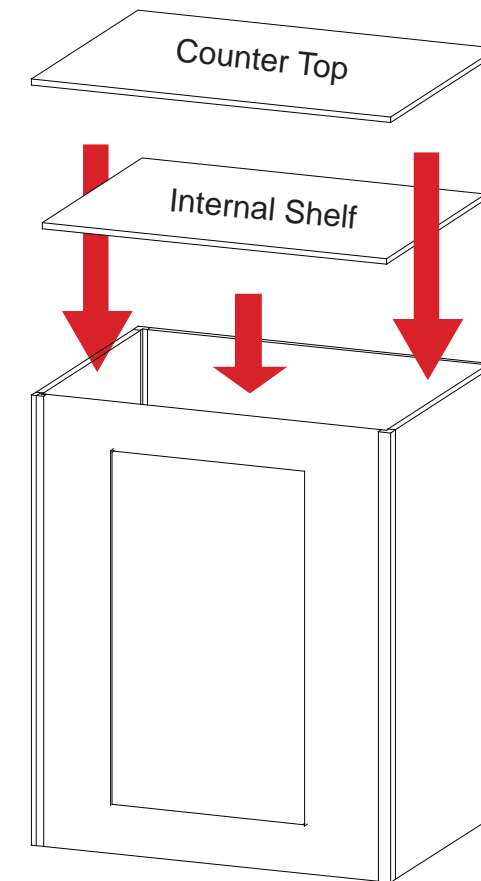
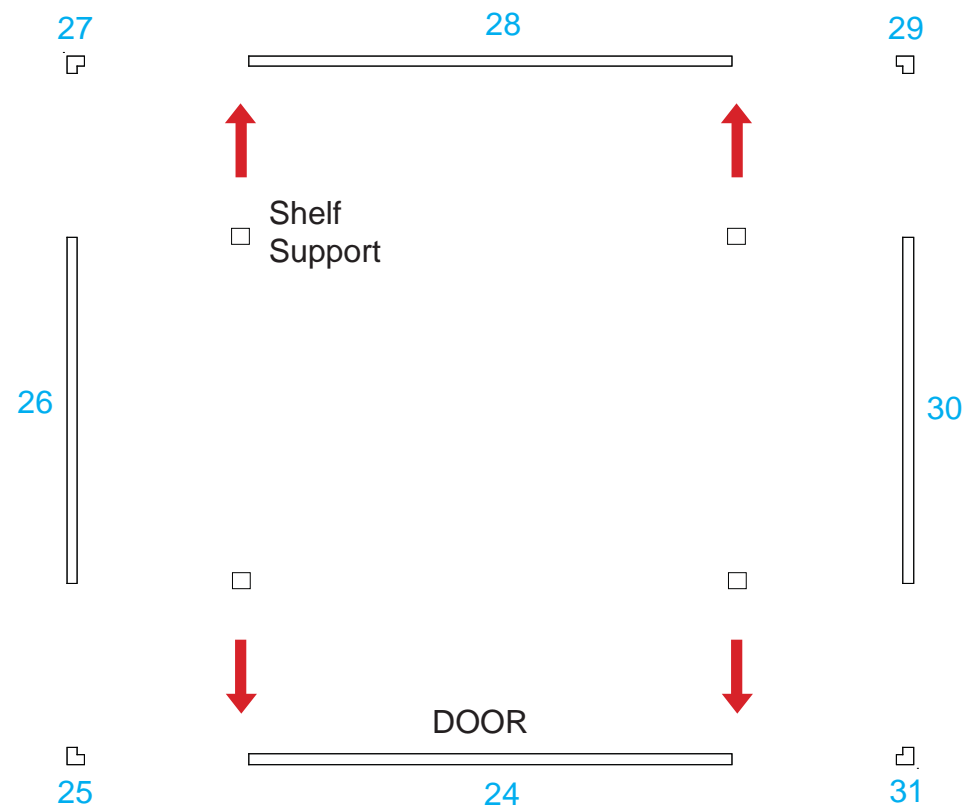
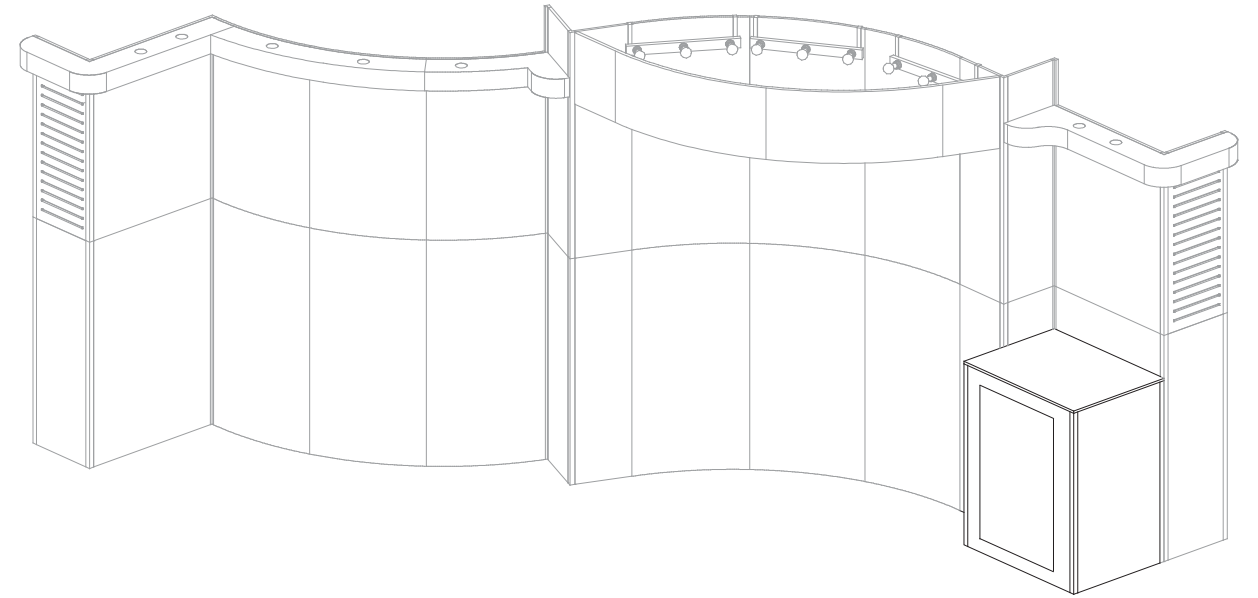


866.652.2100

Item Number	Description
24	29.37" w x 38" h Flat Panel w/ Door
25	38" h 90° Connector
26	20.097" w x 38" h Flat Panel
27	38" h 90° Connector
28	29.37" w x 38" h Flat Panel
29	38" h 90° Connector
30	20.097" w x 38" h Flat Panel
31	38" h 90° Connector

Steps:

- 1) Assemble pedestal by starting at panel #24 and continue in numerical order.
- 2) Velcro shelf supports to inside of assembled pedestal, then set internal shelf atop support.
- 3) Set counter on top of assembled base w/ flush to top of panels.

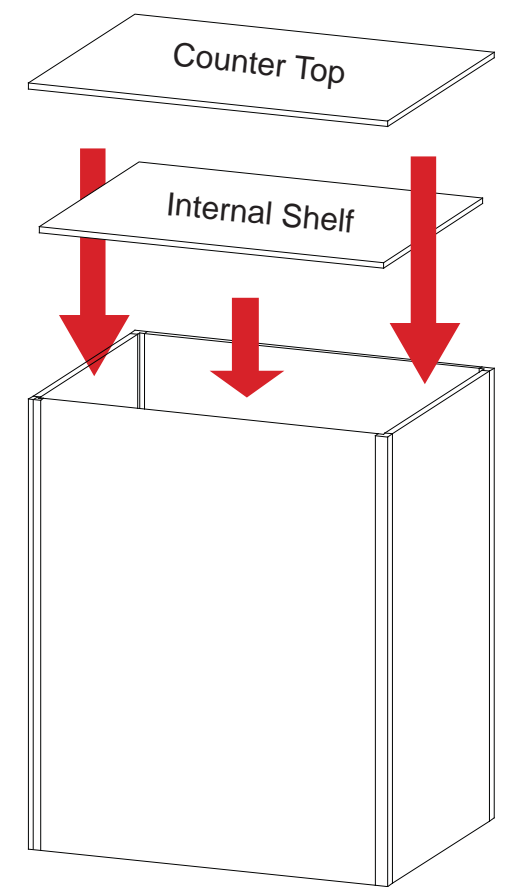
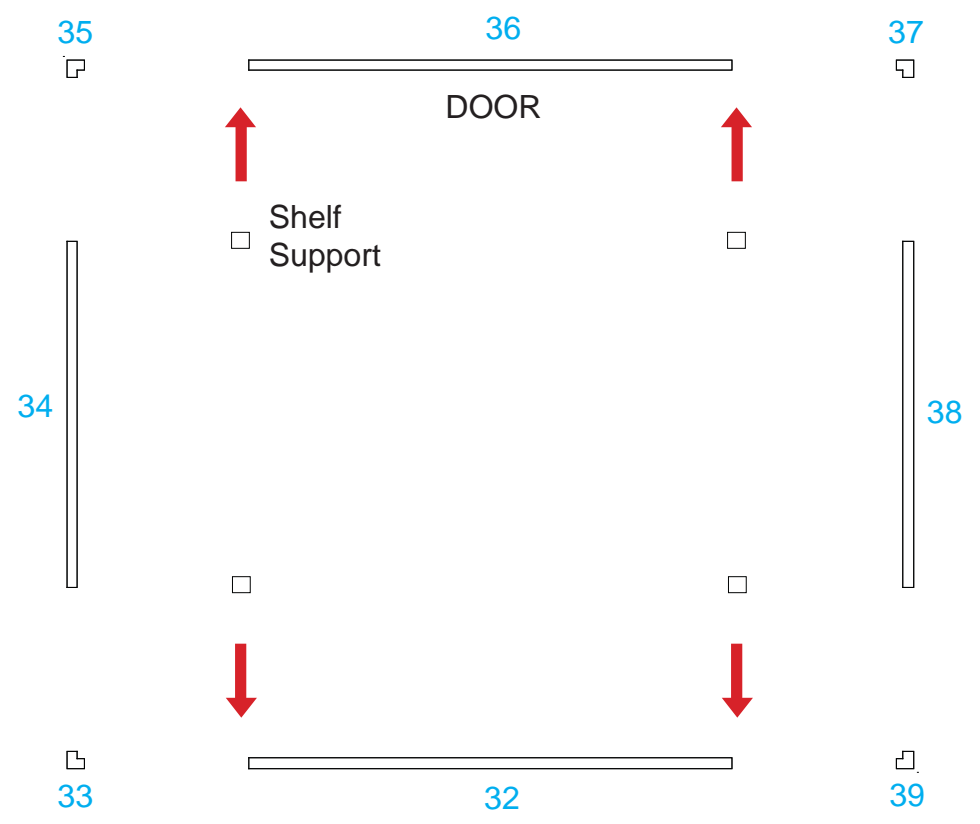
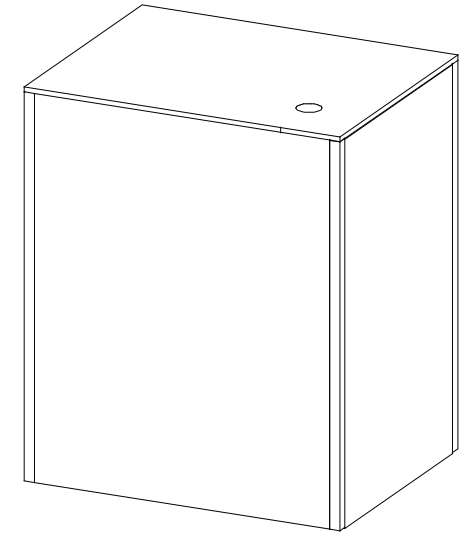


866.652.2100

Item Number	Description
32	30" w x 38" h Flat Panel
33	38" h 90° Connector
34	23" w x 38" h Flat Panel
35	38" h 90° Connector
36	30" w x 38" h Flat Panel w/ Door
37	38" h 90° Connector
38	23" w x 38" h Flat Panel
39	38" h 90° Connector

Steps:

- 1) Assemble pedestal by starting at panel #32 and continue in numerical order.
- 2) Velcro shelf supports to inside of assembled pedestal, then set internal shelf atop support.
- 3) Set counter atop assembled base.

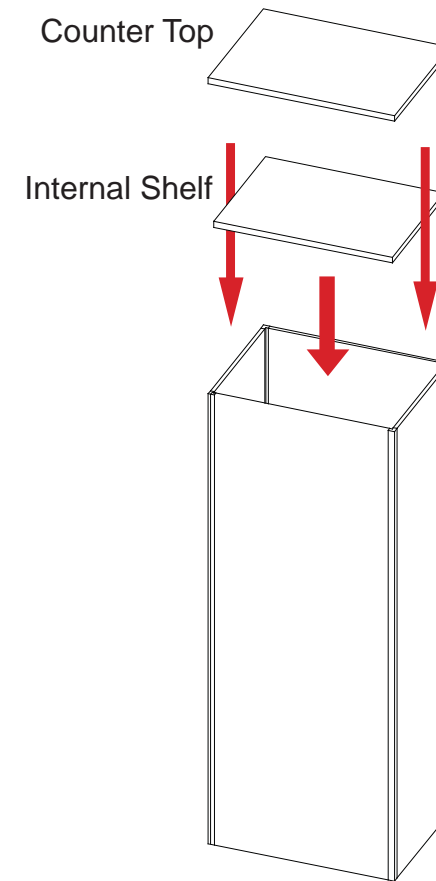
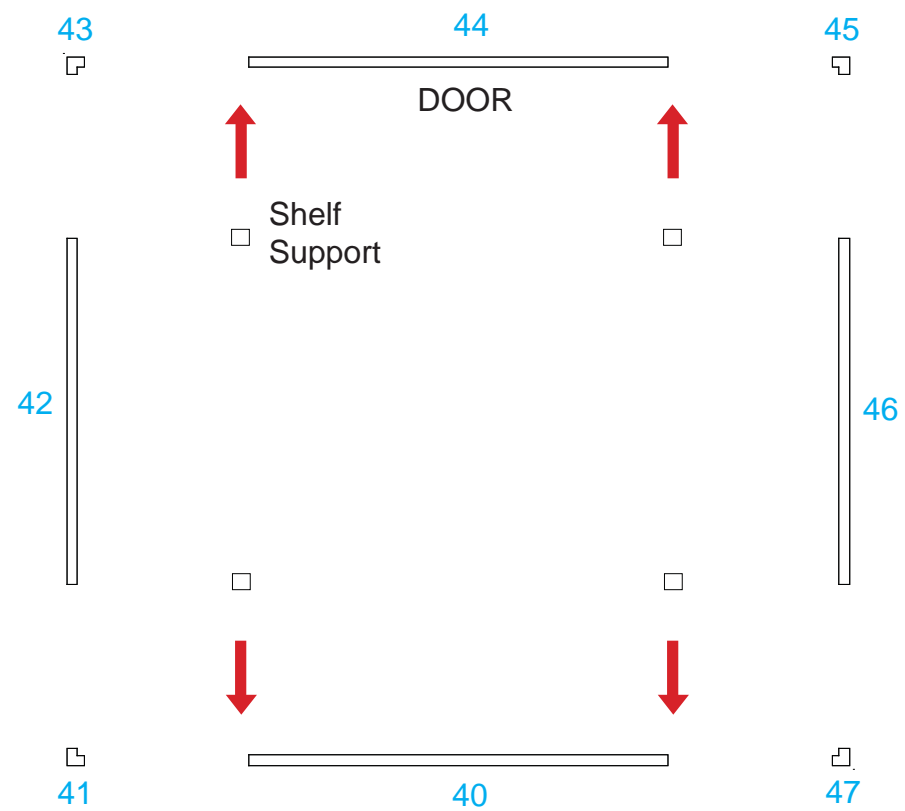
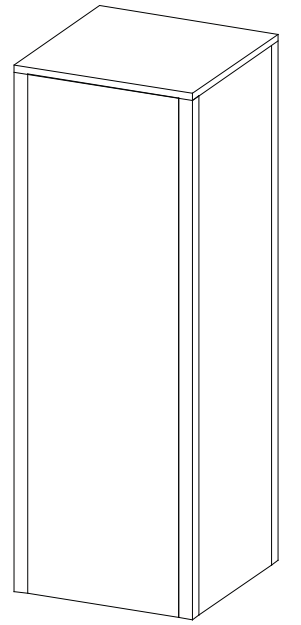


Item Number	Description
40	11.5" w x 38" h Flat Panel
41	38" h 90° Connector
42	11.5" w x 38" h Flat Panel
43	38" h 90° Connector
44	11.5" w x 38" h Flat Panel w/ Door
45	38" h 90° Connector
46	11.5" w x 38" h Flat Panel
47	38" h 90° Connector

Steps:

- 1) Assemble pedestal by starting at panel #40 and continue in numerical order.
- 2) Velcro shelf supports to inside of assembled pedestal, then set internal shelf atop support.
- 3) Set counter atop assembled base.

866.652.2100

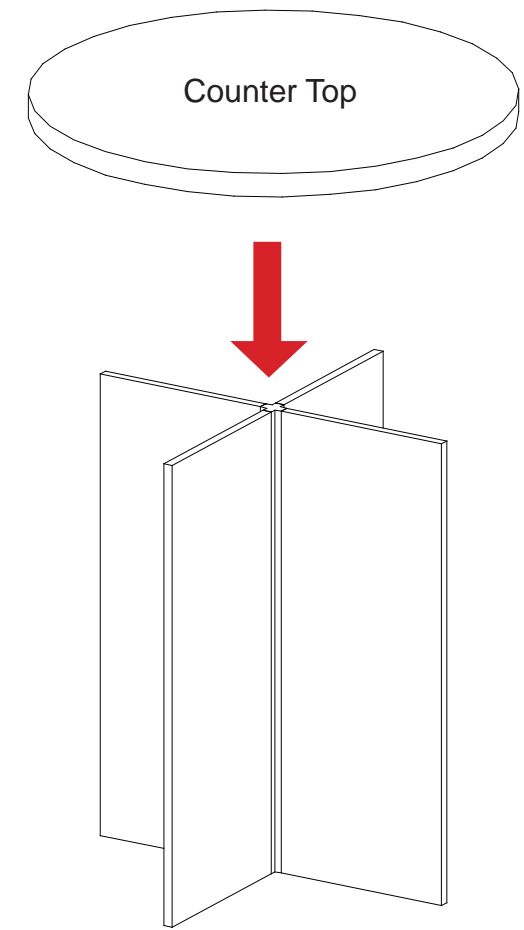
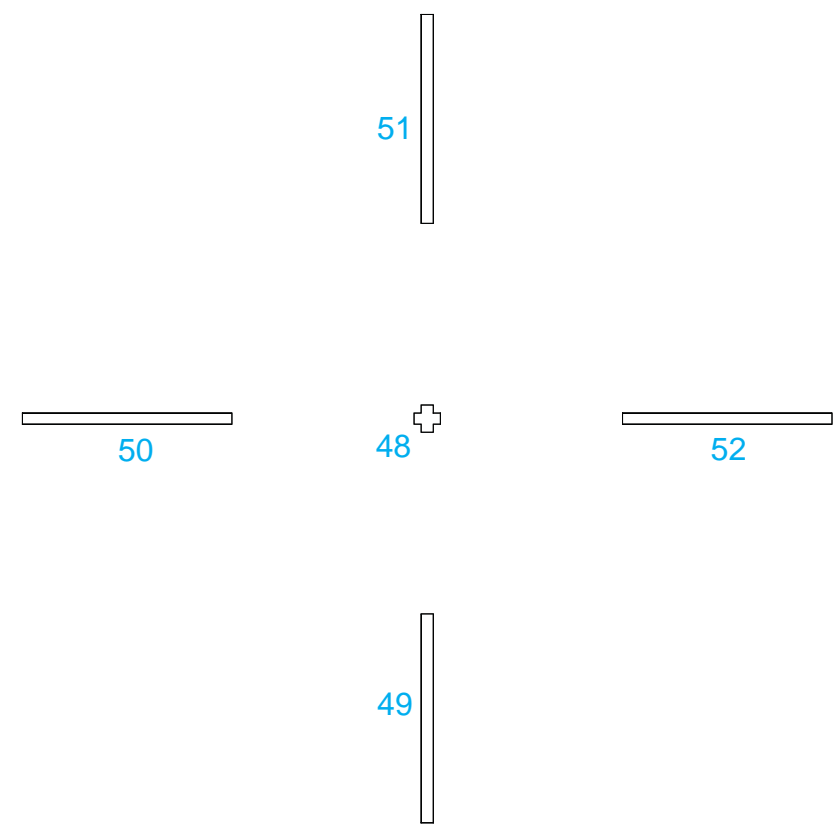
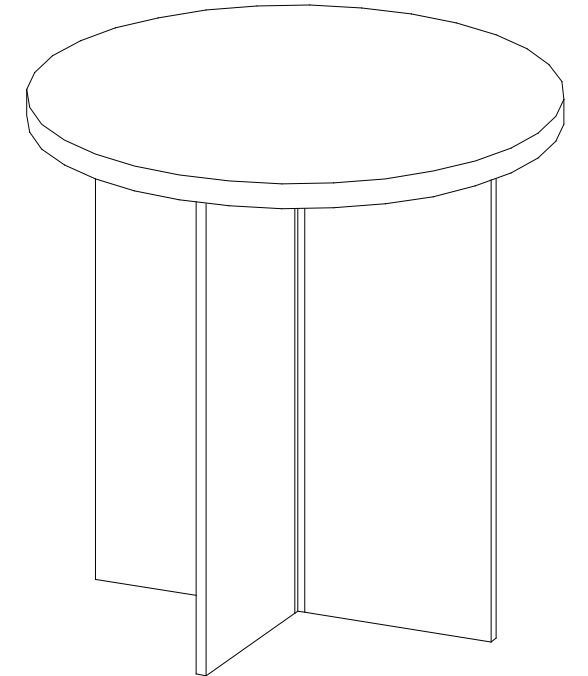


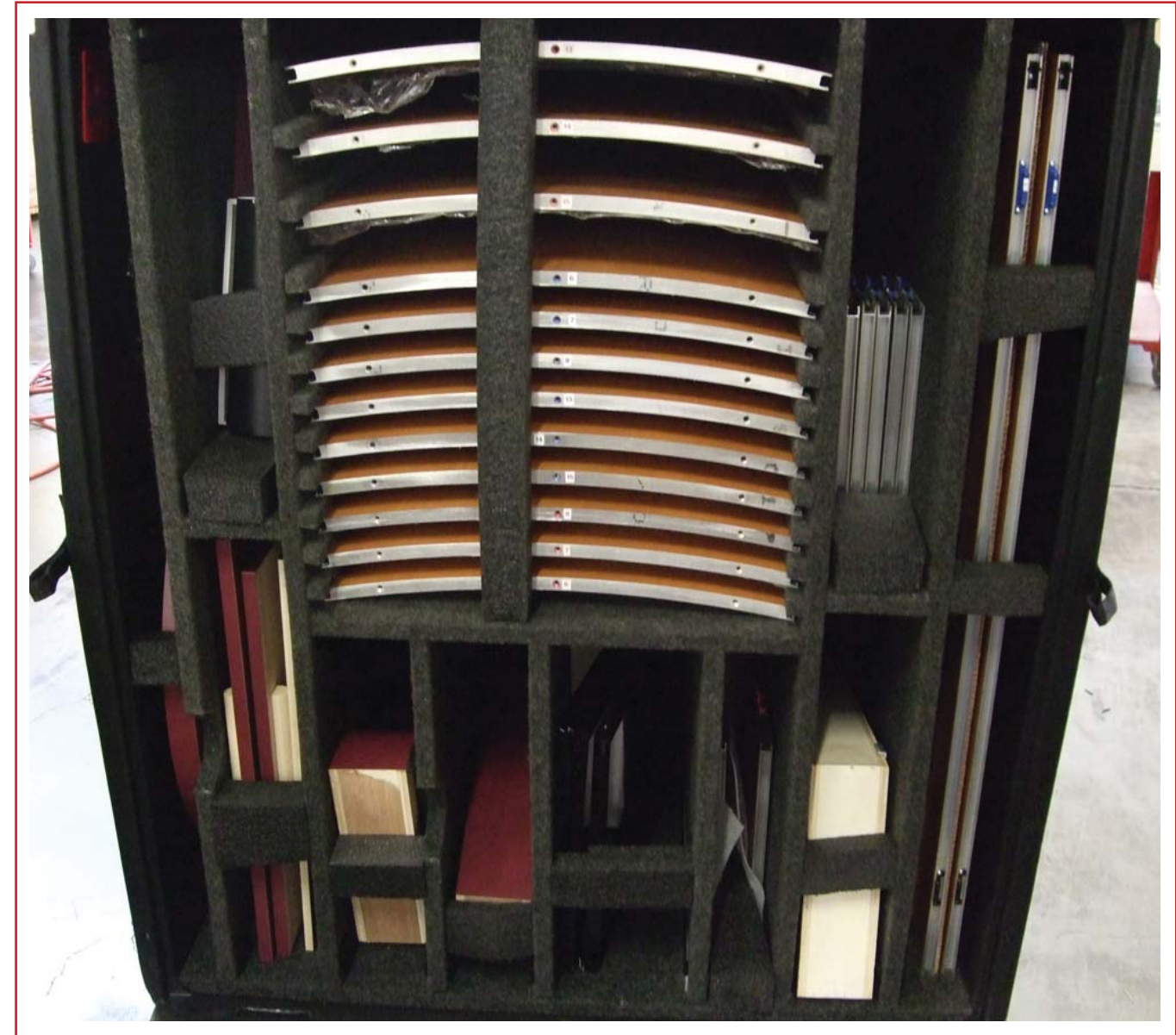
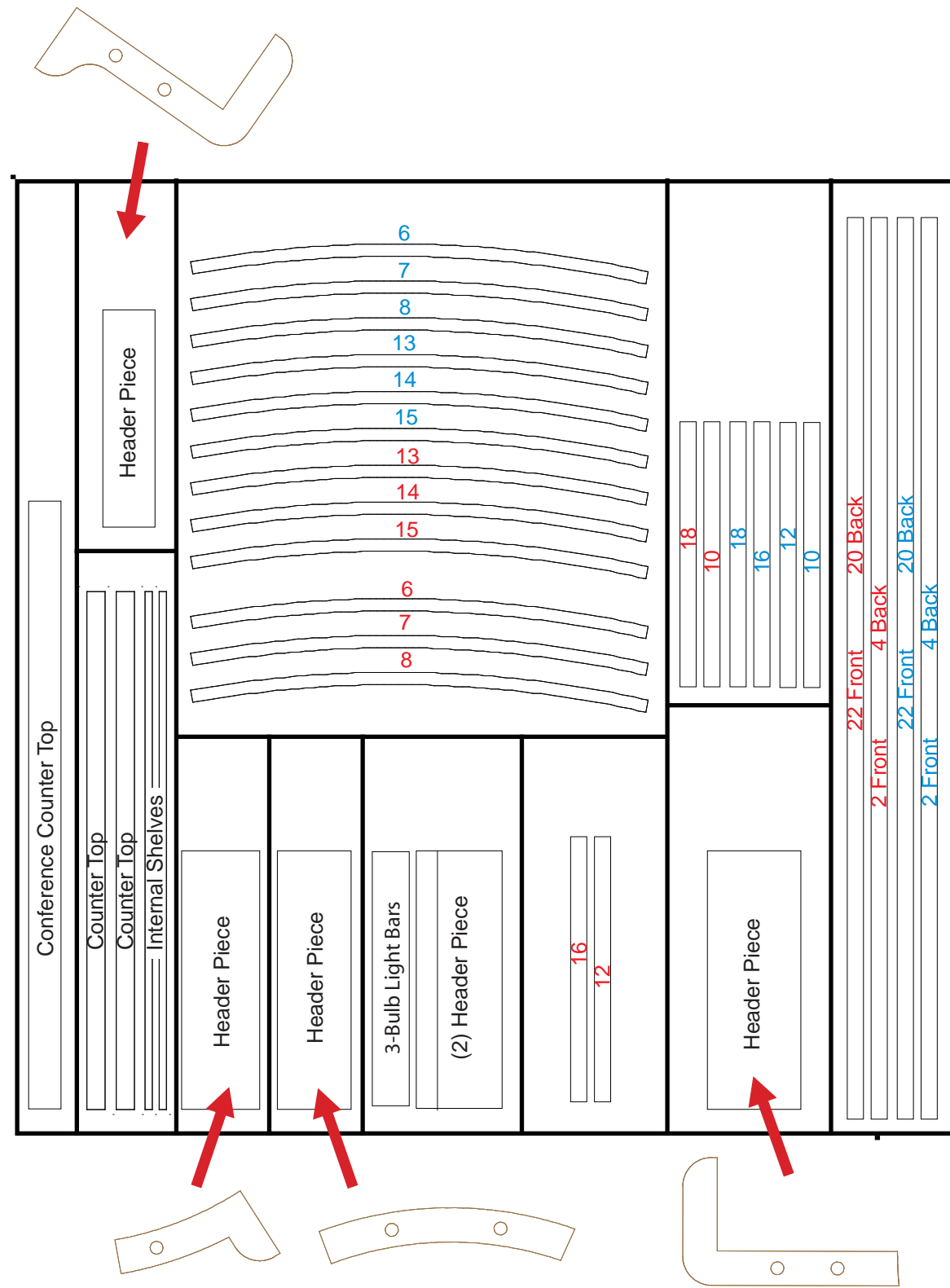
866.652.2100

Item Number	Description
48	30" h 4-way Connector
49	11.5" w x 30" h Flat Panel
50	11.5" w x 30" h Flat Panel
51	11.5" w x 30" h Flat Panel
52	11.5" w x 30" h Flat Panel

Steps:

- 1) Assemble base by starting at connector #48 and continue in numerical order.
- 2) Set counter atop assembled base.





Tub Front View