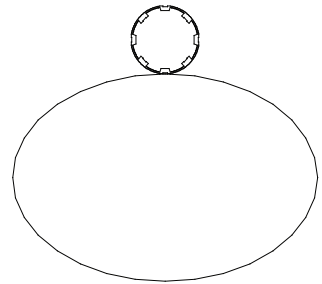
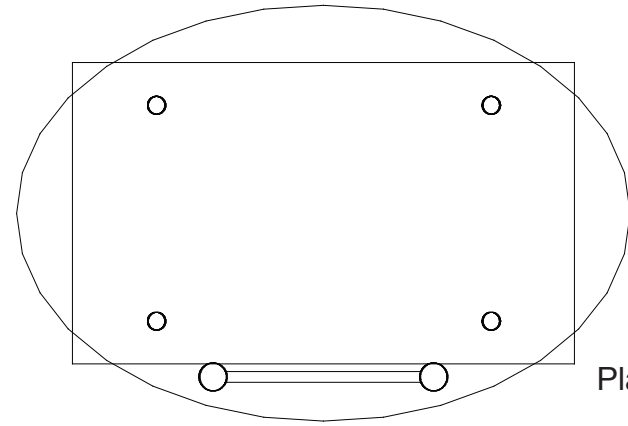


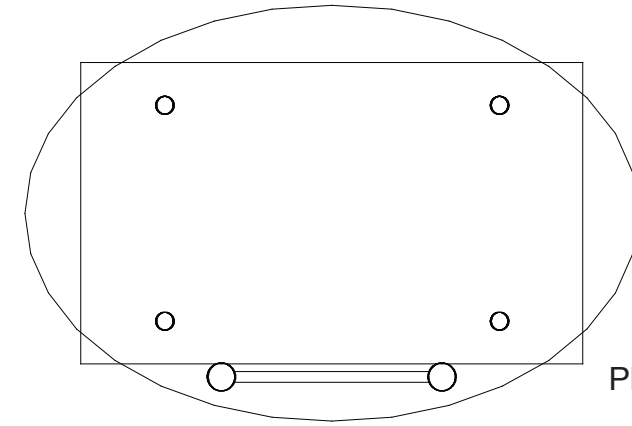
euro It | *HYBRIDS*



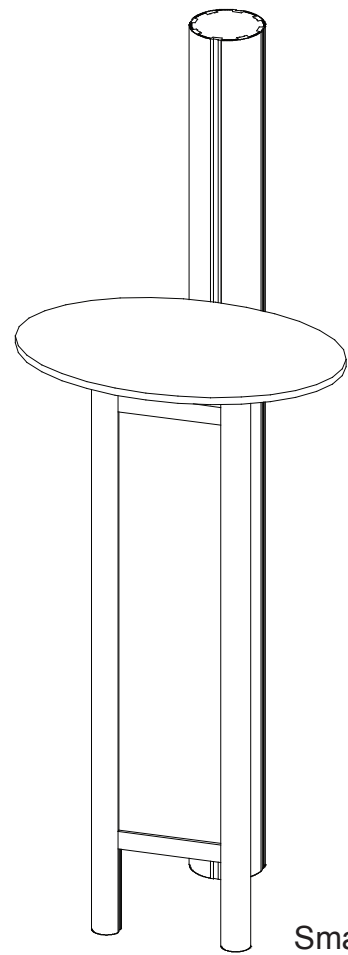
Plan View



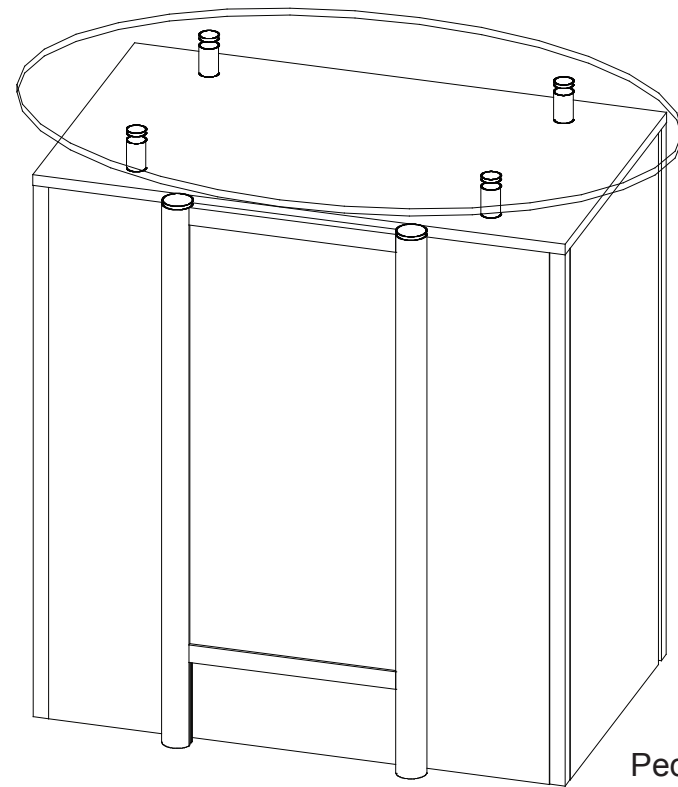
Plan View



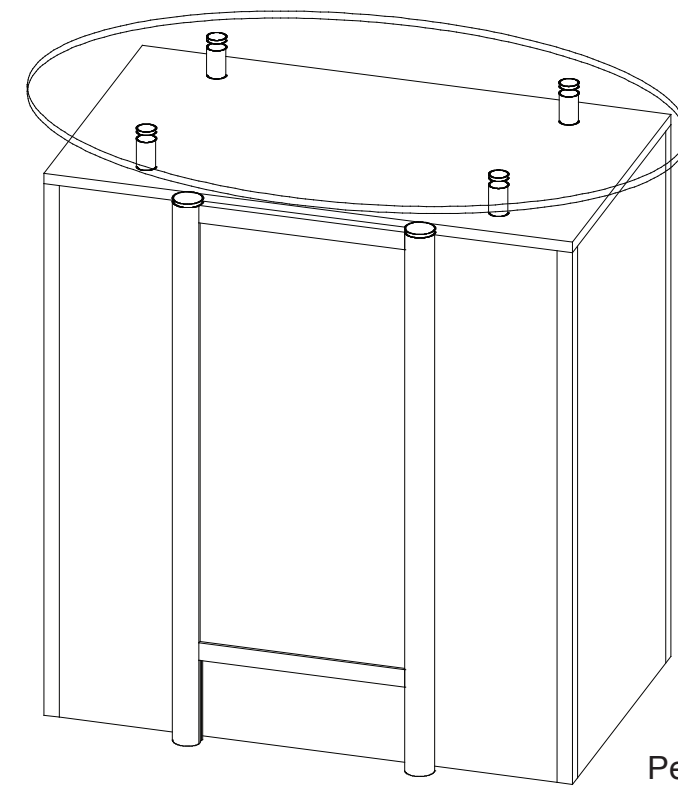
Plan View



Small Counter



Pedestal



Pedestal

WHEN DISASSEMBLING ALUMINUM EXTRUSION, TIGHTEN ALL SETSCREWS AND LOCKS TO PREVENT LOSS DURING SHIPPING

euro lt | HYBRIDS

Using Your Setup Instructions

The Euro LT Hybrids Setup Instructions are created specifically for your configuration. They are laid out sequentially in levels, including exploded views, and a logical series of detailed steps to assemble the main structure and components. We encourage you to study the instructions **before** attempting to assemble your exhibit.

Each page reminds you to tighten the setscrews after disassembling your exhibit to prevent loss of the locks and setscrews (see below in RED). This is VERY IMPORTANT.

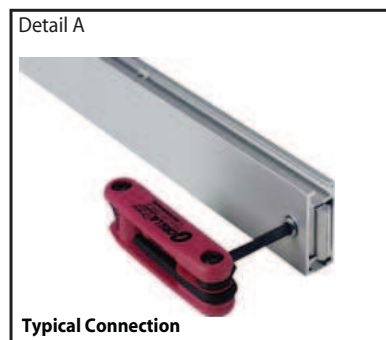
Cleaning and Packing Your Display

- 1) Use care when cleaning aluminum extrusion or acrylic inserts. Use only non-abrasive cleaners.
- 2) When cleaning laminate inserts, countertops, or panels use mild cleansers and a soft material such as cotton.
- 3) Keep all display components away from extreme heat and long exposure to sunlight to avoid warping and fading.
- 4) Retain all packing material. It will make re-packing much easier and will reduce the likelihood of shipping damage.

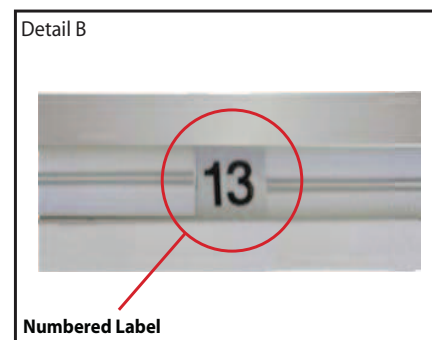
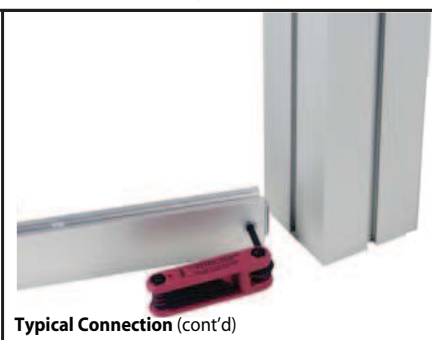
General Setup Instructions for Extrusion System



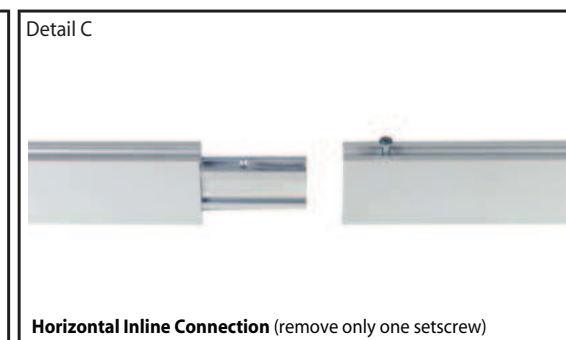
Most exhibits can be assembled with the supplied Hex Key Tool. Occasionally, a flat head screwdriver may be required.



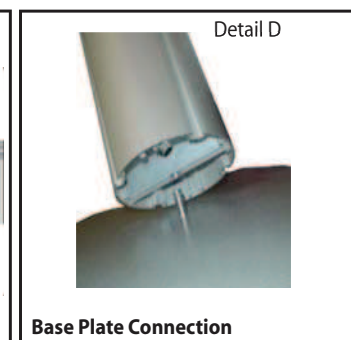
Most horizontal extrusion connections have a patented expandable lock. This lock inserts into the groove of an opposing extrusion. Tightening the lock with the Hex Key Tool expands the lock and creates a strong positive connection.



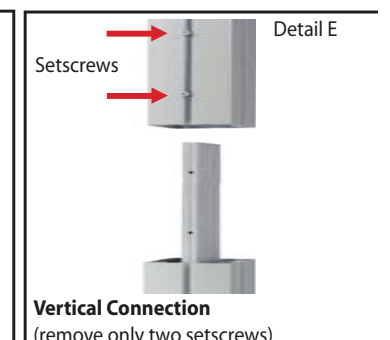
Each extrusion contains a numbered label which corresponds with setup instructions. The label is located within a groove of the extrusion (when possible). With extrusion components the labels contain Black numbers unless otherwise specified.



Remove only (1) setscrew when disassembling. Replace setscrew in extrusion after assembling it. Before packing, replace setscrew in extrusion to avoid losing it.

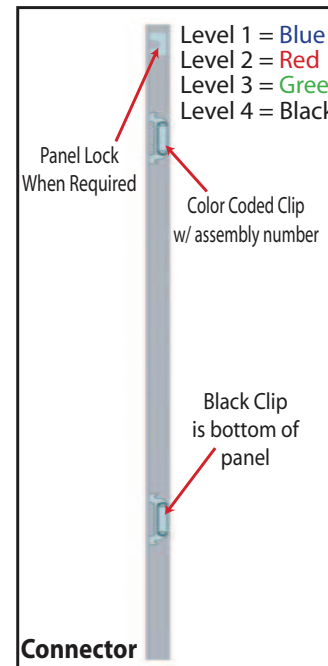


Attach base plate to round or square vertical extrusion using the bolt provided. Be careful not to strip the threads.

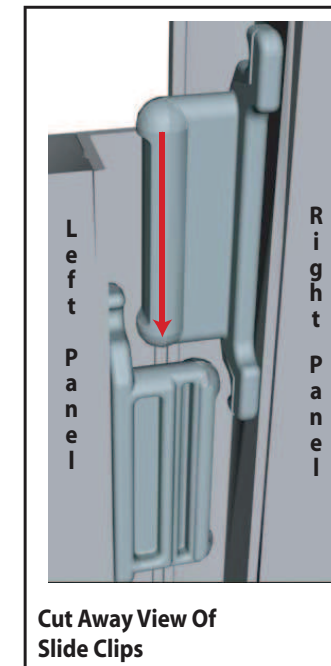


When vertical extrusions are packed in portable cases rather than crates or tubs, they must be broken down into smaller section which then require assembly.

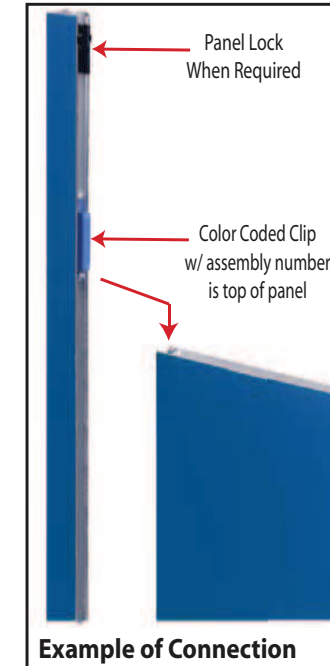
Remove only (2) setscrews when disassembling. Replace setscrews in extrusion after assembling it. Before packing, replace setscrews in extrusion to avoid losing them.



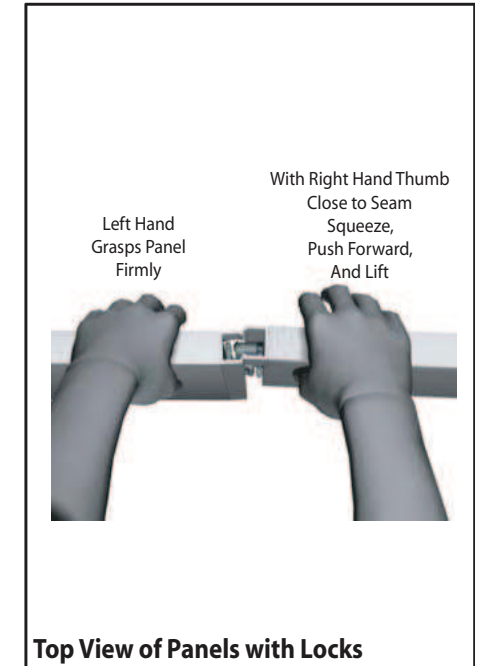
Each component has 2 clips, the lower clip is ALWAYS black. The top clip is color coded to distinguish which level. The color coded clip also contains the numbered label.



Components connect together by aligning them and sliding downward connecting clips together.



Configurations are assembled from left to right, usually starting with #1 and following the numbered sequence.



The first level of components contain panel locks that are located at the top of the panel for extra stability and seamless connection. When disassembling panels twist top connection slightly and lift right panel upward.

WHEN DISASSEMBLING ALUMINUM EXTRUSION, TIGHTEN ALL SETSCREWS AND LOCKS TO PREVENT LOSS DURING SHIPPING

EURO LT Panel System - Part List

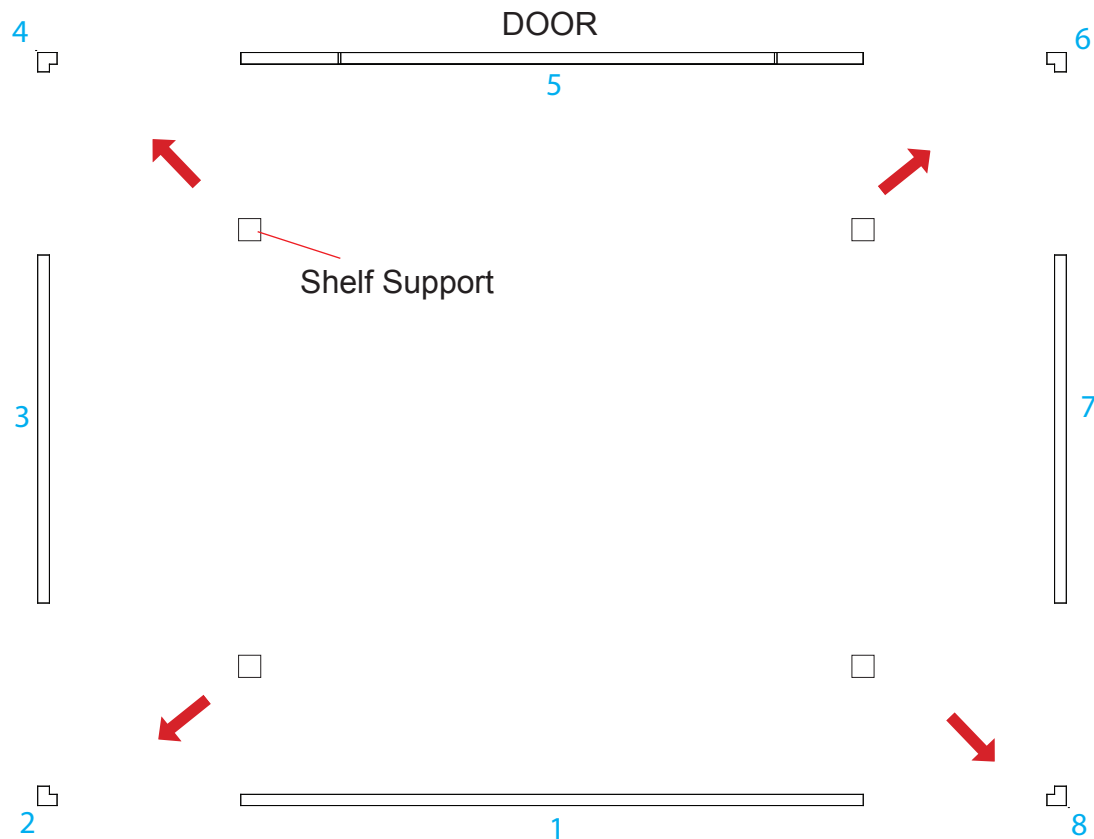
Item Number	Description
1	33.875" w x 38" h Flat Panel
2	38" h 90° Connector
3	19" w x 38" h Flat Panel
4	38" h 90° Connector
5	33.875" w x 38" h Flat Panel w/ Door
6	38" h 90° Connector
7	19" w x 38" h Flat Panel
8	38" h 90° Connector

Modul Extrusion System - Part List

Item	Qty.	Description
1	1	38.5" h Round Vertical Extrusion
2	1	38.5" h Round Vertical Extrusion
3	1	14" w Horizontal Extrusion
4	1	14" w Horizontal Extrusion

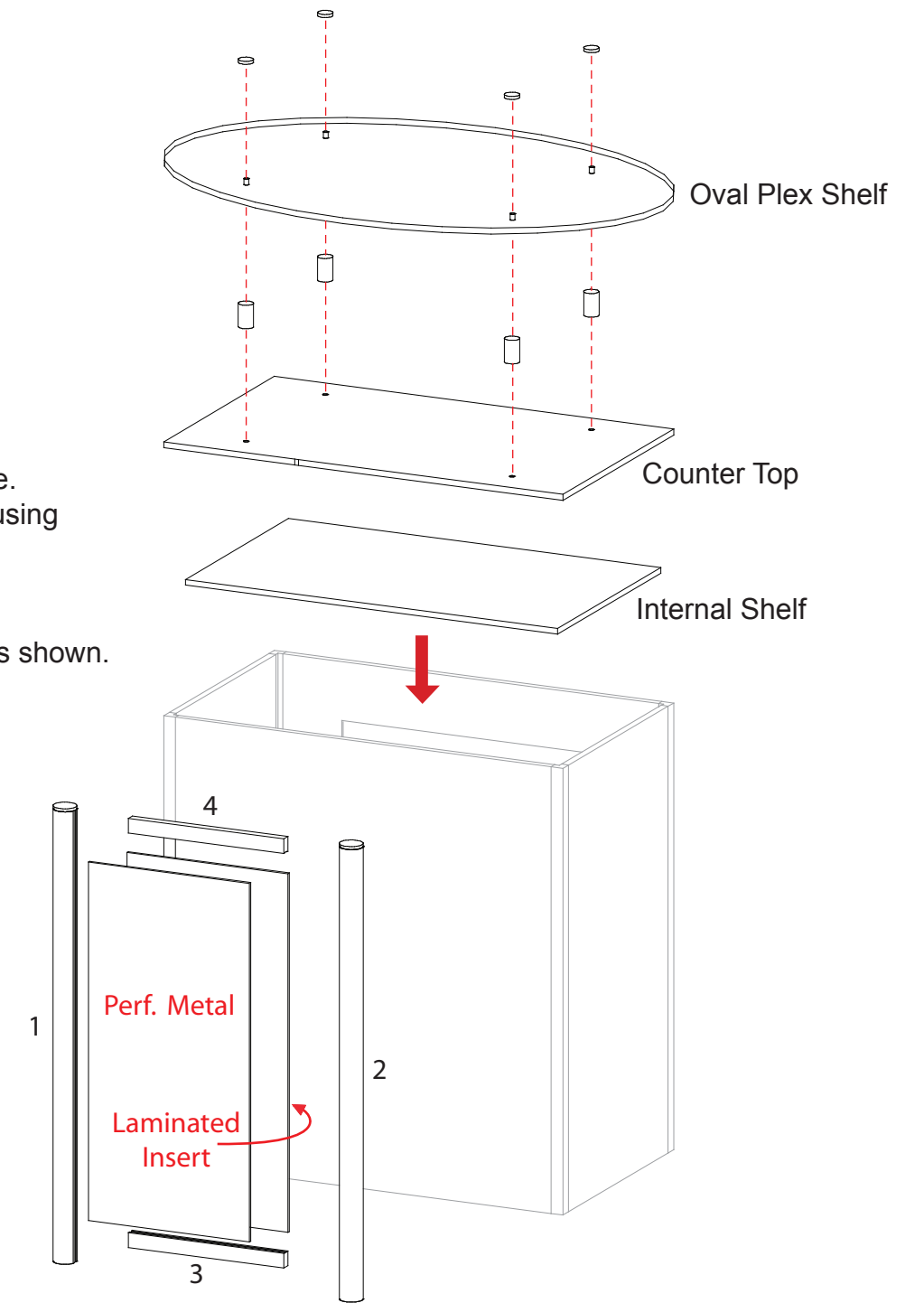
Steps:

- 1) Assemble pedestal base by starting at panel #1 and continue in numerical order.
- 2) Velcro shelf supports to inside of assembled base.



Steps:

- 3) Set internal shelf atop shelf supports.
- 4) Place counter top on assembled base.
- 5) Attach oval plex shelf to counter top using stand-off barrels and caps.
- 6) Attach horizontal extrusions [3 and 4] between round verticals [1 and 2], placing Perforated Metal and insert as shown.
- 7) Velcro extrusion assembly from previous step to front of assembled pedestal.
- 8) Repeat steps for additional pedestal.



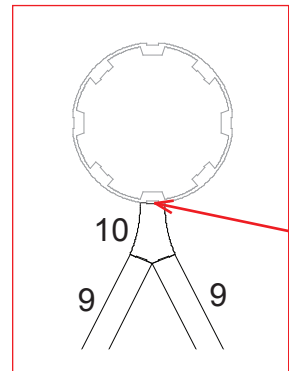
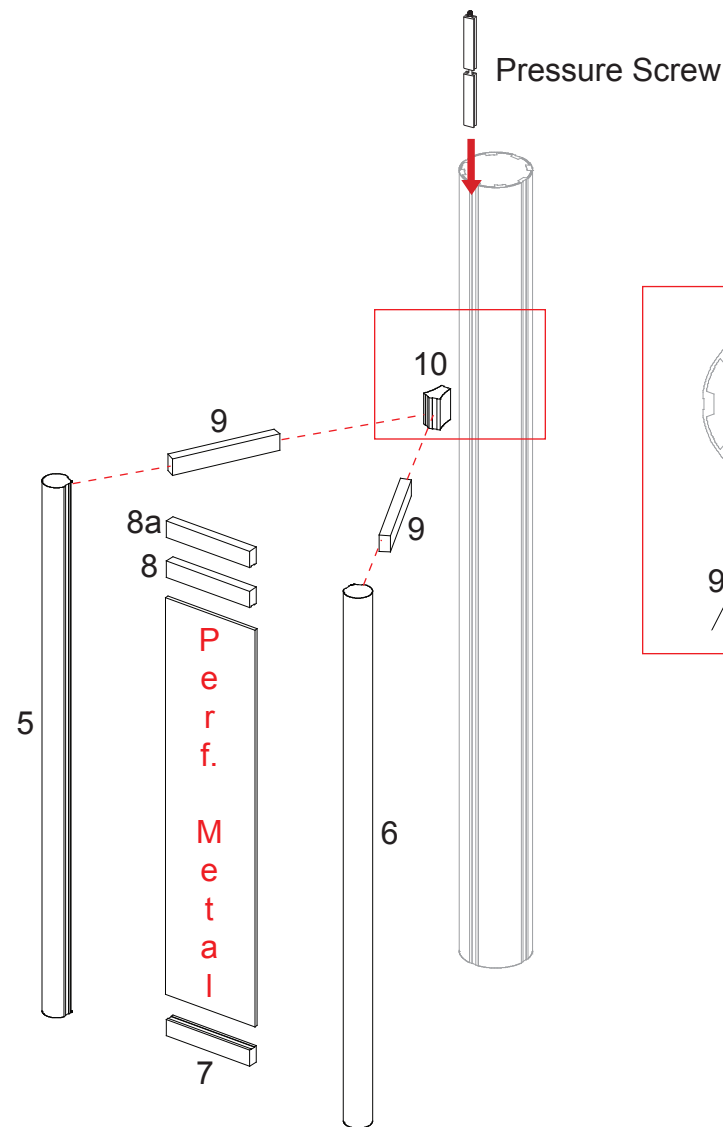
WHEN DISASSEMBLING ALUMINUM EXTRUSION, TIGHTEN ALL SETSCREWS AND LOCKS TO PREVENT LOSS DURING SHIPPING

866.652.2100

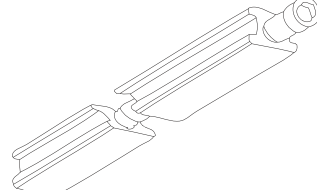
Item	Qty.	Description
5	1	40.75" h Round Vertical Extrusion
6	1	40.75" h Round Vertical Extrusion
7	1	7" w Horizontal Extrusion
8	1	7" w Horizontal Extrusion
8a	1	7" w Horizontal Extrusion
9	2	8" w Horizontal Extrusion
10	1	Connector

Steps:

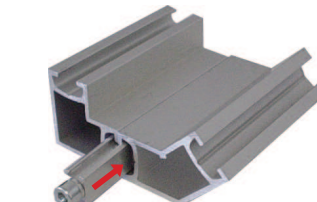
- 1) Attach horizontal extrusions [7, 8 and 8a] between vertical extrusions [5 and 6], placing Perforated Metal insert in place.
- 2) Attach horizontal extrusions [9] between vertical extrusions [5 and 6] and connector [10] as shown.
- 3) Attach assembled counter base to vertical post by sliding pressure screw in between grooves of connector and post as shown in Example of Pressure Screw Attachment below.
- 4) Set small counter top atop assembled base.




Pressure Screw



Example of Pressure Screw Attachment

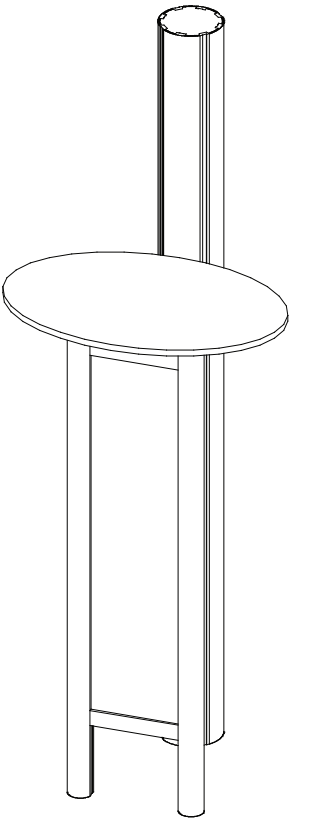
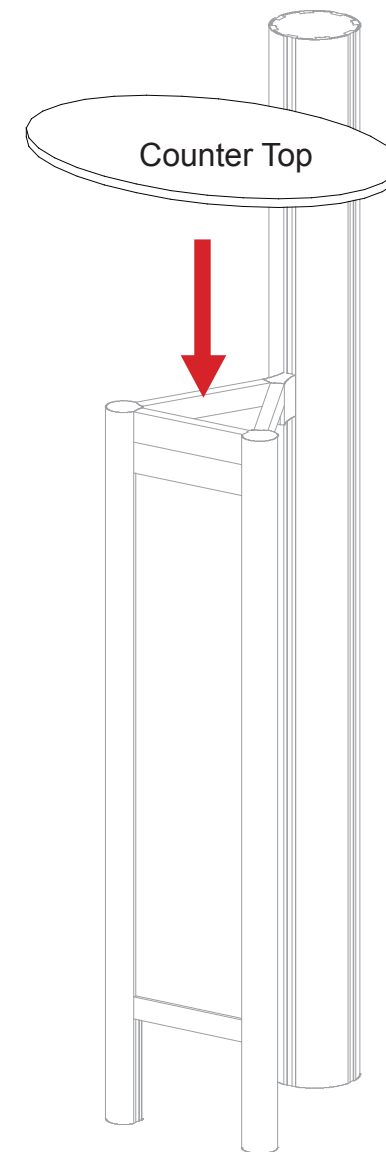


Pressure Screw

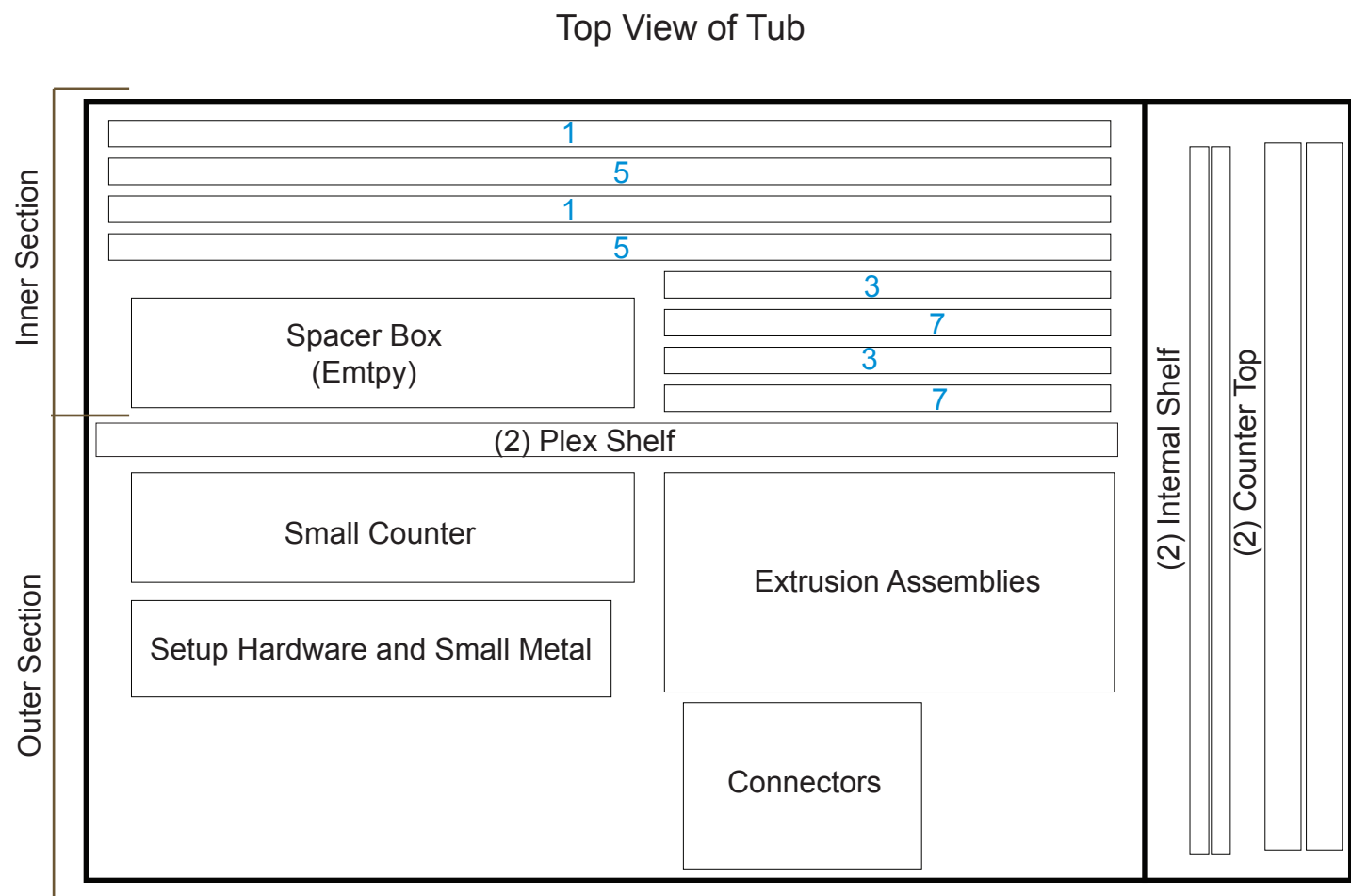



Note: V10 Detail

Slide V10 Connector in between grooves of extrusions as explained in step 3.



WHEN DISASSEMBLING ALUMINUM EXTRUSION, TIGHTEN ALL SETSCREWS AND LOCKS TO PREVENT LOSS DURING SHIPPING




Front Load Tub



WHEN DISASSEMBLING ALUMINUM EXTRUSION, TIGHTEN ALL SETSCREWS AND LOCKS TO PREVENT LOSS DURING SHIPPING