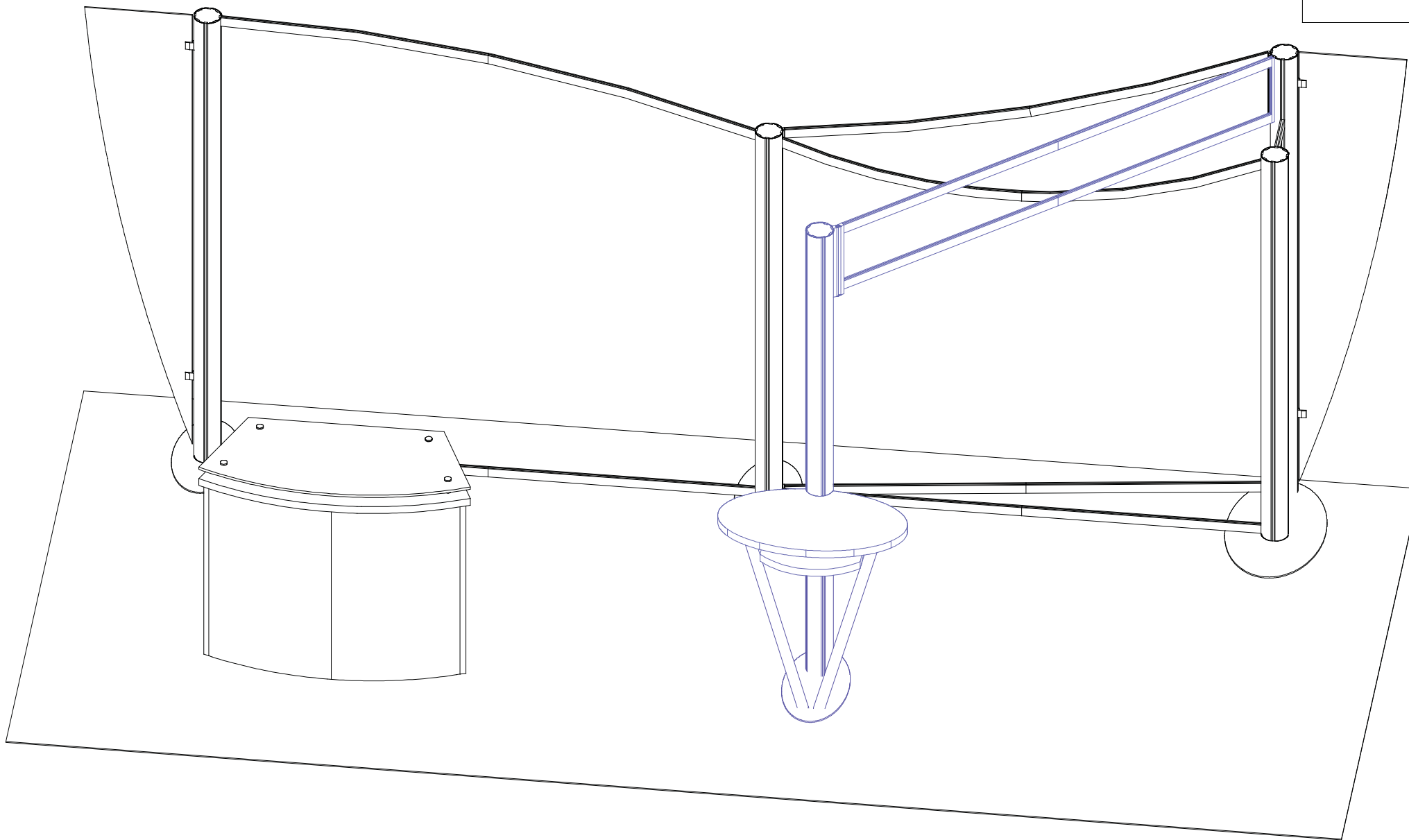
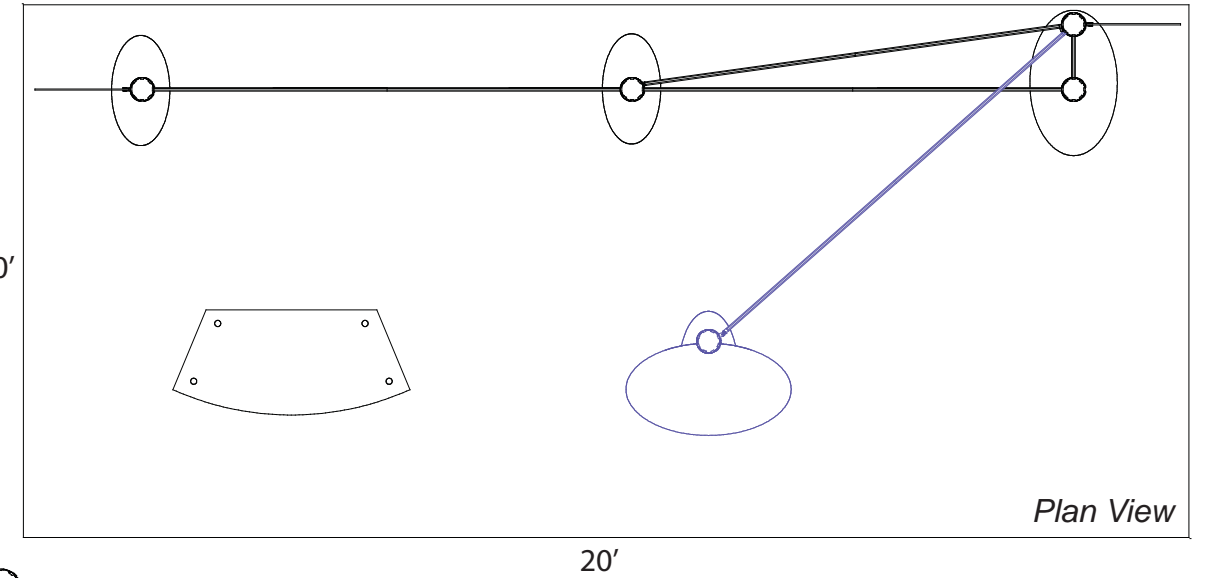


WHEN DISASSEMBLING ALUMINUM EXTRUSION, TIGHTEN ALL SETSCREWS AND LOCKS TO PREVENT LOSS DURING SHIPPING



WHEN DISASSEMBLING ALUMINUM EXTRUSION, TIGHTEN ALL SETSCREWS AND LOCKS TO PREVENT LOSS DURING SHIPPING



Using Your Setup Instructions

The Euro LT Hybrids Setup Instructions are created specifically for your configuration. They are laid out sequentially in levels, including exploded views, and a logical series of detailed steps to assemble the main structure and components. We encourage you to study the instructions **before** attempting to assemble your exhibit.

Each page reminds you to tighten the setscrews after disassembling your exhibit to prevent loss of the locks and setscrews (see below in RED). This is VERY IMPORTANT.

Cleaning and Packing Your Display

- 1) Use care when cleaning aluminum extrusion or acrylic inserts. Use only non-abrasive cleaners.
- 2) When cleaning laminate inserts, countertops, or panels use mild cleansers and a soft material such as cotton.
- 3) Keep all display components away from extreme heat and long exposure to sunlight to avoid warping and fading.
- 4) Retain all packing material. It will make re-packing much easier and will reduce the likelihood of shipping damage.

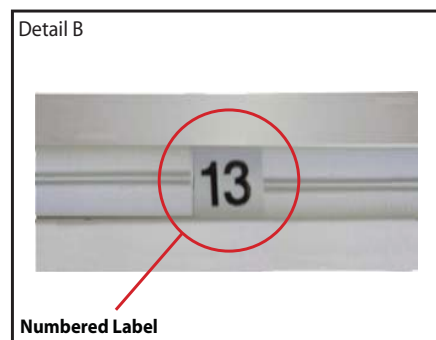
General Setup Instructions for Extrusion System



Most exhibits can be assembled with the supplied Hex Key Tool. Occasionally, a flat head screwdriver may be required.



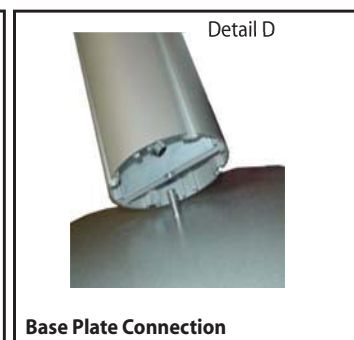
Most horizontal extrusion connections have a patented expandable lock. This lock inserts into the groove of an opposing extrusion. Tightening the lock with the Hex Key Tool expands the lock and creates a strong positive connection.



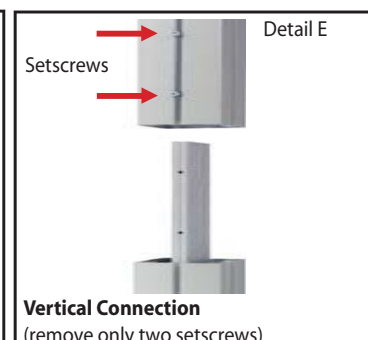
Each extrusion contains a numbered label which corresponds with setup instructions. The label is located within a groove of the extrusion (when possible). With extrusion components the labels contain Black numbers unless otherwise specified.



Remove only (1) setscrew when disassembling. Replace setscrew in extrusion after assembling it. Before packing, replace setscrew in extrusion to avoid losing it.

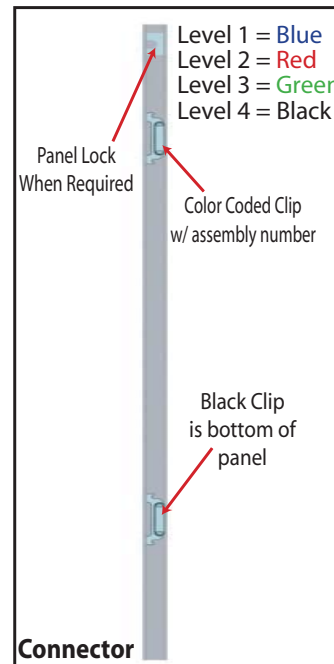


Attach base plate to round or square vertical extrusion using the bolt provided. Be careful not to strip the threads.

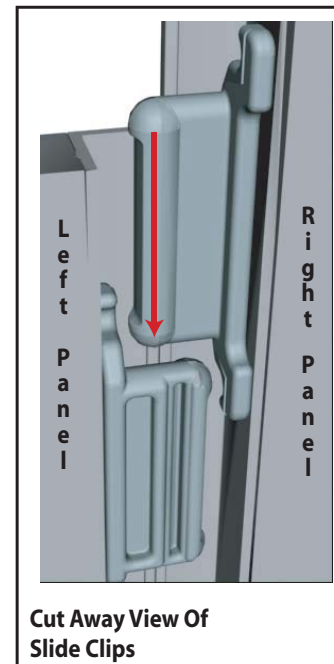


When vertical extrusions are packed in portable cases rather than crates or tubs, they must be broken down into smaller section which then require assembly.

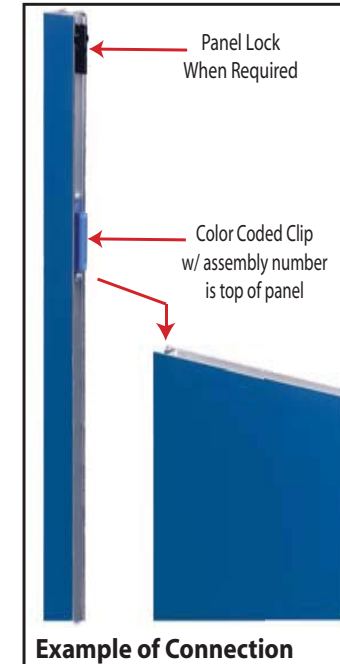
Remove only (2) setscrews when disassembling. Replace setscrews in extrusion after assembling it. Before packing, replace setscrews in extrusion to avoid losing them.



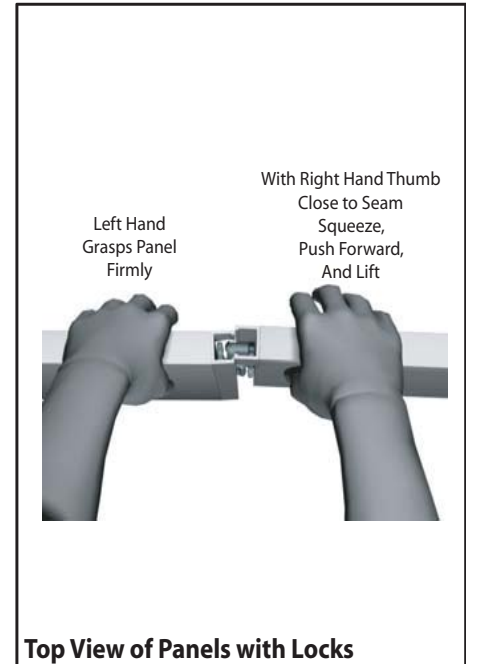
Each component has 2 clips, the lower clip is ALWAYS black. The top clip is color coded to distinguish which level. The color coded clip also contains the numbered label.



Components connect together by aligning them and sliding downward connecting clips together.



Configurations are assembled from left to right, usually starting with #1 and following the numbered sequence.



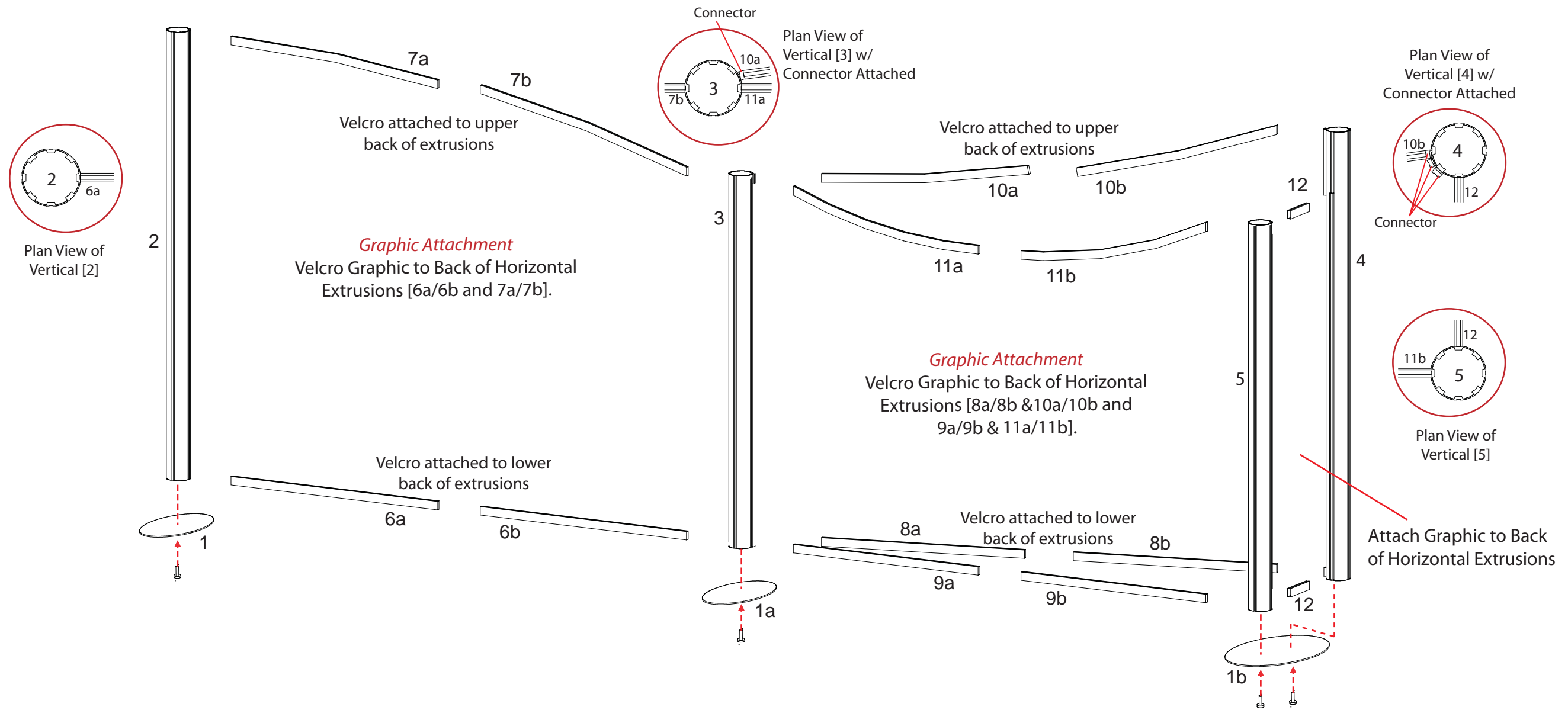
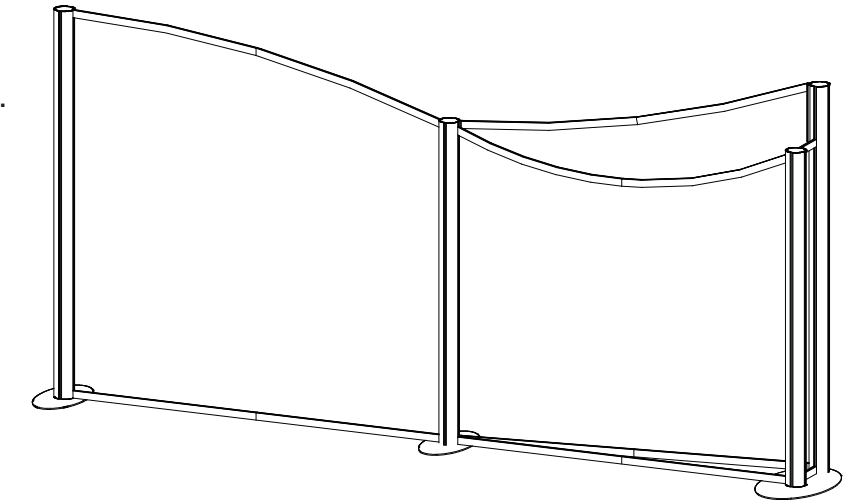
The first level of components contain panel locks that are located at the top of the panel for extra stability and seamless connection. When disassembling panels twist top connection slightly and lift right panel upward.

WHEN DISASSEMBLING ALUMINUM EXTRUSION, TIGHTEN ALL SETSCREWS AND LOCKS TO PREVENT LOSS DURING SHIPPING

Item	Qty.	Description
1/1a/1b	1/1/1	Base Plate
2	1	96" h Vertical Extrusion
3	1	79.7982" h Vertical Extrusion
4	1	96" h Vertical Extrusion
5	1	82.72" h Vertical Extrusion
6a/6b	1/1	48.0185" w Horizontal Extrusion
7a/7b	1/1	49.2385" w Horizontal Extrusion
8a/8b	1/1	43.087" w Horizontal Extrusion
9a/9b	1/1	43.01" w Horizontal Extrusion
10a/10b	1/1	44.4215" w Horizontal Extrusion
11a/11b	1/1	45.1683" w Horizontal Extrusion
12	2	8.551" w Horizontal Extrusion

Steps:

- 1) Attach vertical extrusions [2, 3, 4 and 5] to base plates [1, 1a and 1b], see detail D on general info. page.
- 2) Connect horizontal extrusions [6a to 6b, 7a to 7b, 8a to 8b, 9a to 9b, 10a to 10b and 11a to 11b].
- 3) Attach horizontal assemblies between vertical extrusions.
- 4) Apply graphics to assembled backwall as shown.

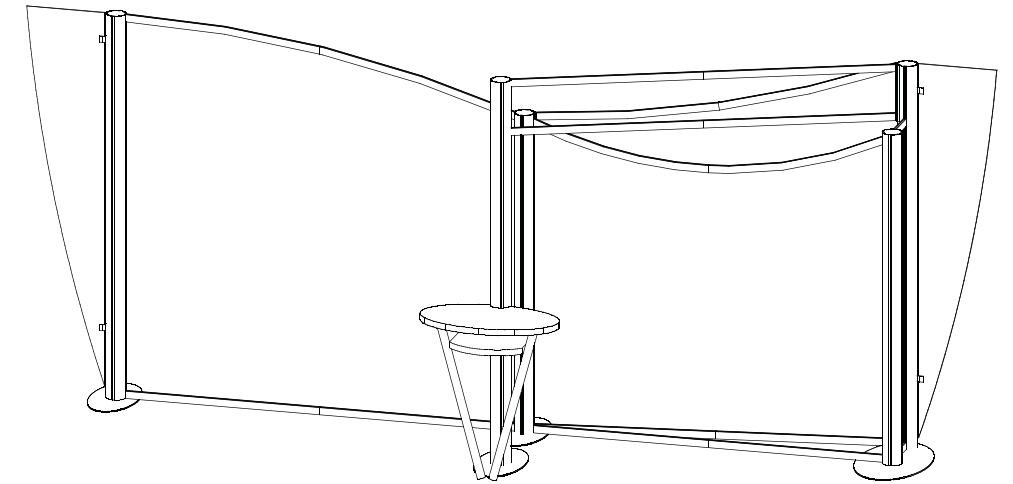


WHEN DISASSEMBLING ALUMINUM EXTRUSION, TIGHTEN ALL SETSCREWS AND LOCKS TO PREVENT LOSS DURING SHIPPING

866.652.2100

Item	Qty.	Description
1c	1	Base Plate
13a	1	Support Leg Left
13b	1	Support Leg Right
14	1	Shelf Support
15	1	96" h Vertical Extrusion
16a/16b	1/1	46.25" w Horizontal Extrusion
17a/17b	1/1	46.25" w Horizontal Extrusion

- Steps:
- 1) Attach vertical extrusion [15] and support legs [13a and 13b] to base plate [1c].
 - 2) Attach shelf support [14] between support legs [13a and 13b], then set shelf atop support with notched side fitting to vertical extrusion and secure with thumbscrews to vertical extrusion [15].
 - 3) Connect horizontal extrusions together [16a to 16b and 17a to 17b].
 - 4) Attach horizontal assemblies between vertical extrusions [4 and 15], placing insert as shown.
 - 5) Attach wings to vertical extrusions [2 and 4], see wing attachment detail.



Wing Attachment

Slide A10 Clamp into groove of square extrusion.

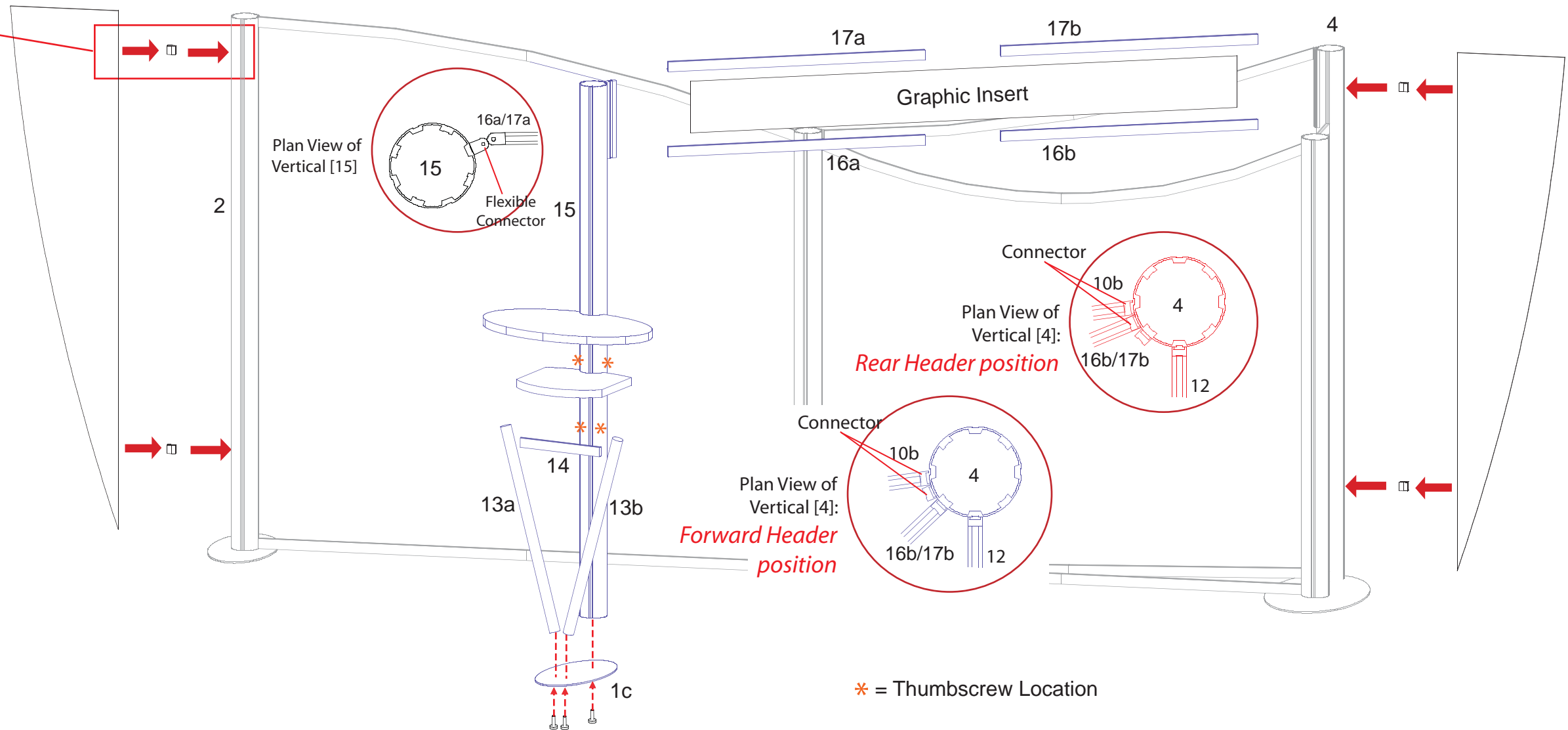
A10

When desired location is found, tighten set screw to secure.

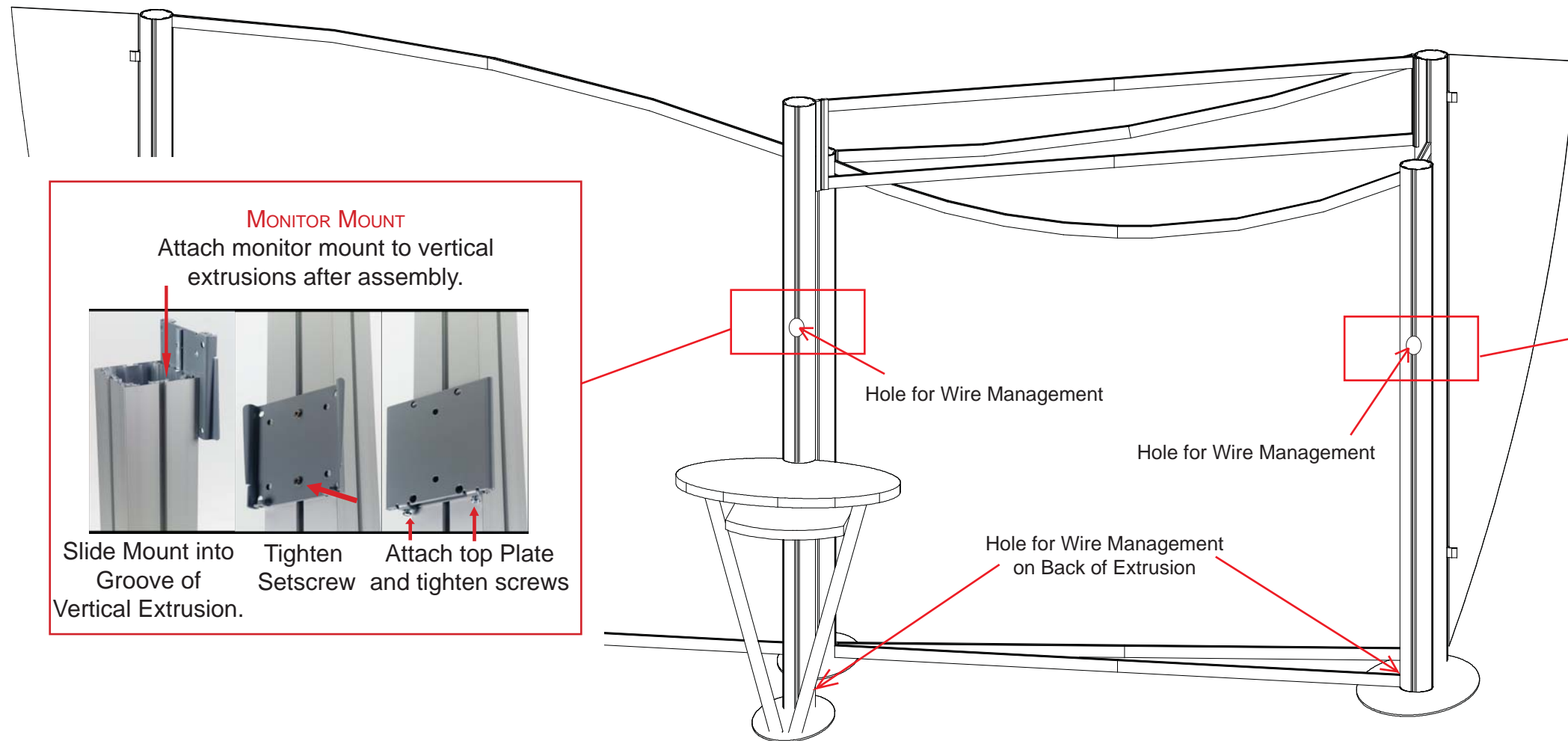
Set-Screw

Tighten black plastic set screw to secure Wing in place.

Black Plastic Set-screw



WHEN DISASSEMBLING ALUMINUM EXTRUSION, TIGHTEN ALL SETSCREWS AND LOCKS TO PREVENT LOSS DURING SHIPPING



MONITOR MOUNT
Attach monitor mount to vertical extrusions after assembly.

Slide Mount into Groove of Vertical Extrusion. Tighten Setscrew Attach top Plate and tighten screws

Example of Monitor Mount Plate

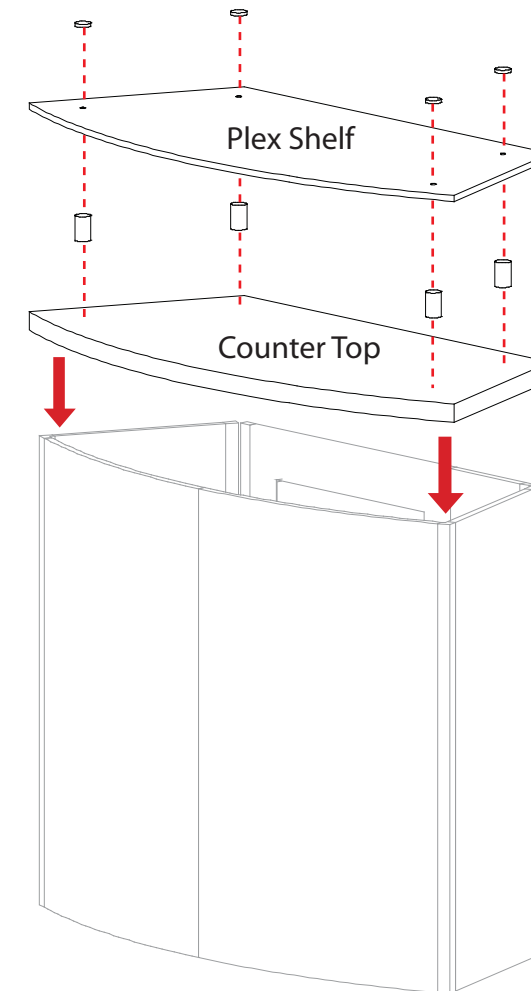
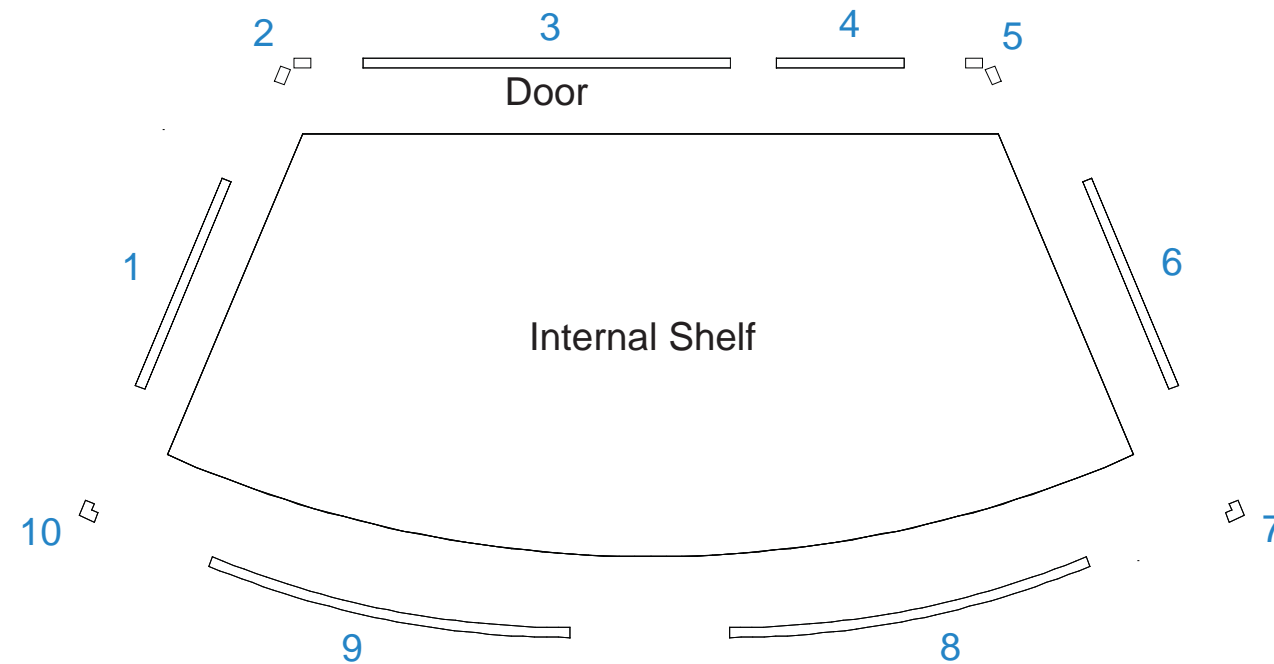
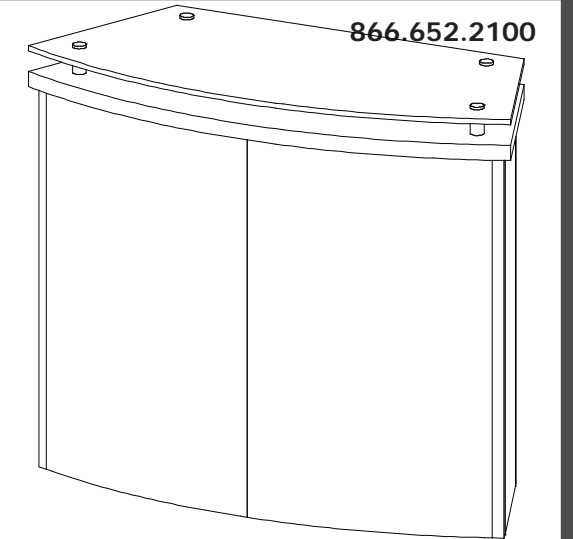
Connector Insert connectors into groove of extrusion. Then attach mount by tightening screws on frontside of monitor mount

Screw

WHEN DISASSEMBLING ALUMINUM EXTRUSION, TIGHTEN ALL SETSCREWS AND LOCKS TO PREVENT LOSS DURING SHIPPING

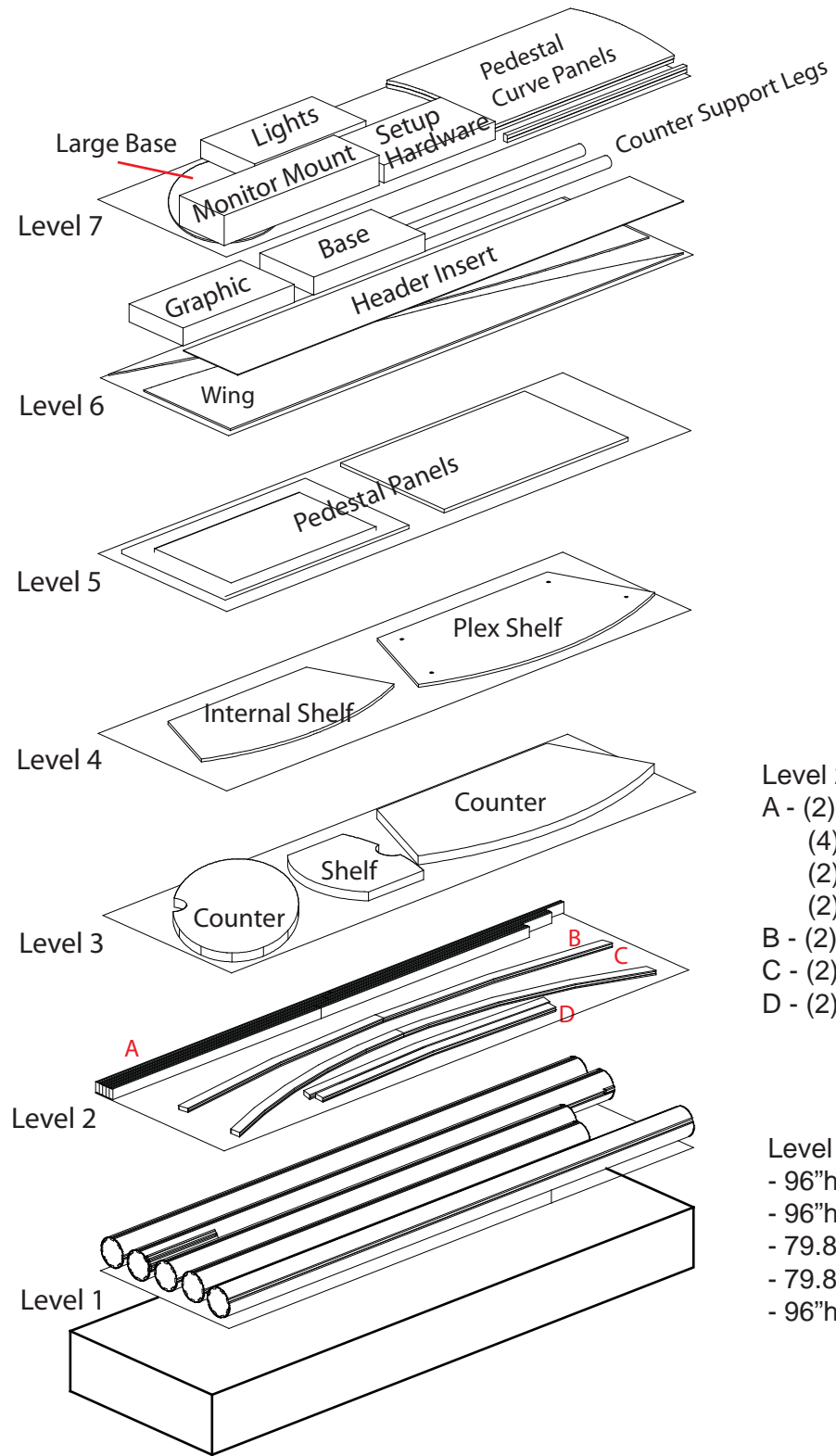
Item Number	Description
1	14.125" w x 38" h Panel
2	38" h Flexible Connector
3	23" w x 38" h Panel w/ Door
4	8.003" w x 38" h Panel
5	38" h Flexible Connector
6	14.125" w x 38" h Panel
7	38" h 90° Connector
8	57.5° r Curved Panel
9	57.5° r Curved Panel
10	38" h 90° Connector

- Steps:
- 1) Assemble by starting at panel #1 and continue in numerical order.
 - 2) Velcro internal shelf supports to inside of assembled base.
 - 3) Set internal shelf atop shelf supports.
 - 4) Place counter atop assembled pedestal base.
 - 5) Attach top shelf to counter using stand-offs.



Place counter atop assembled pedestal base. Attach top shelf to counter using stand-offs.

WHEN DISASSEMBLING ALUMINUM EXTRUSION, TIGHTEN ALL SETSCREWS AND LOCKS TO PREVENT LOSS DURING SHIPPING

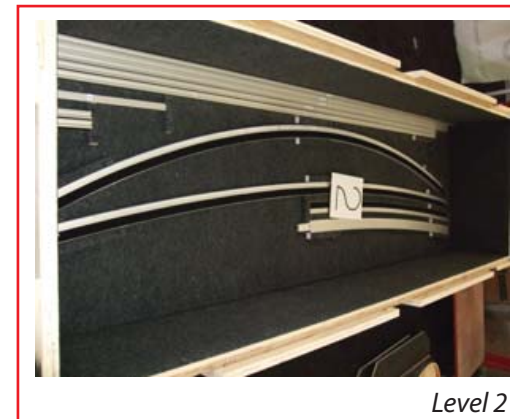


Level 2: Part List

- A - (2) 48.02" Extrusion
- (4) 46.25" Extrusion
- (2) 43.08" Extrusion
- (2) 43.01" Extrusion
- B - (2) 45.1683" Curved Extrusion
- C - (2) 44.4215" Curved Extrusion
- D - (2) 49.2385" Cured Extrusion

Level 1: Part List

- 96"h Round Extrusion
- 96"h Round Extrusion
- 79.8"h Round Extrusion
- 79.8"h Round Extrusion
- 96"h Round Extrusion



WHEN DISASSEMBLING ALUMINUM EXTRUSION, TIGHTEN ALL SETSCREWS AND LOCKS TO PREVENT LOSS DURING SHIPPING