

WHEN DISASSEMBLING ALUMINUM EXTRUSION, TIGHTEN ALL SETSCREWS AND LOCKS TO PREVENT LOSS DURING SHIPPING

# visionary™ IDESIGNS

## Using Your Setup Instructions

The Visionary Designs Setup Instructions are created specifically for your configuration. They are laid out sequentially, including an exploded view of the entire display, and then a logical series of detailed steps to assemble the main structure and components. We encourage you to study the instructions **before** attempting to assemble your exhibit.

Each page reminds you to tighten the setscrews after disassembling your exhibit to prevent loss of the locks and setscrews (see below in RED). This is **VERY IMPORTANT**.

## Cleaning and Packing Your Display

- 1) Use care when cleaning aluminum extrusion or acrylic inserts. Use only non-abrasive cleaners.
- 2) When cleaning laminate inserts or countertops, use mild cleansers and a soft material such as cotton.
- 3) Keep all display components away from extreme heat and long exposure to sunlight to avoid warping and fading.
- 4) Retain all packing material. It will make re-packing much easier and will reduce the likelihood of shipping damage.



**The Tool**

Most Visionary Designs exhibits can be assembled with the supplied Hex Key Tool. Occasionally, a flat head screwdriver may be required.



Detail A

**Typical Connection**



**Typical Connection (cont'd)**

Most horizontal extrusion connections have a patented expandable lock. This lock inserts into the groove of an opposing extrusion. Tightening the lock with the Hex Key Tool expands the lock and creates a strong positive connection.



Detail B

**Numbered Label**

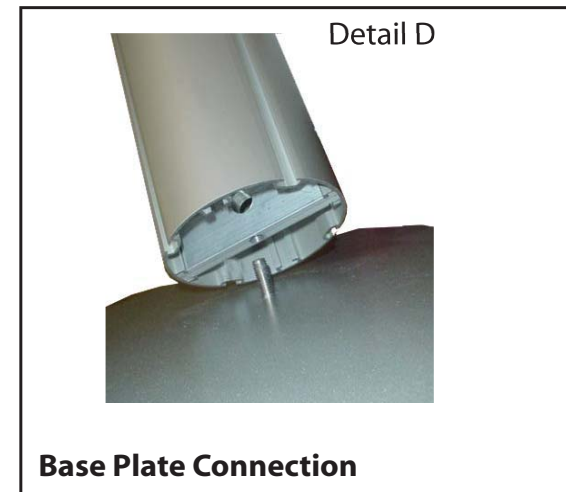
Each extrusion contains a numbered label which corresponds with setup instructions. The label is located within a groove of the extrusion (when possible). With Visionary Designs the labels contain Black numbers unless otherwise specified.



Detail C

**Horizontal Inline Connection** (remove only one setscrew)

Remove only (1) setscrew when disassembling. Replace setscrew in extrusion after assembling it. Before packing, replace setscrew in extrusion to avoid losing it.



Detail D

**Base Plate Connection**

Attach base plate to round or square vertical extrusion using the bolt provided. Be careful not to strip the threads.



Detail E

**Vertical Connection**  
(remove only two setscrews)

When vertical extrusions are packed in portable cases rather than crates or tubs, they must be broken down into smaller sections which then require assembly.

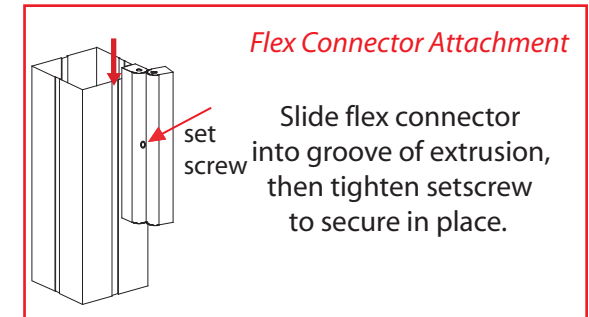
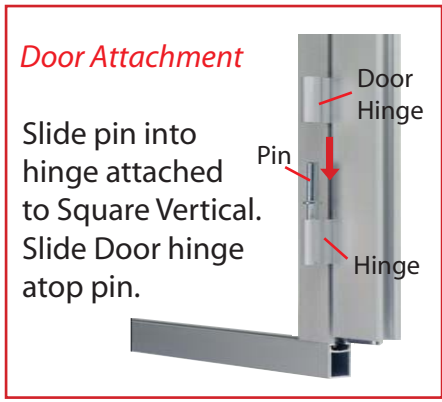
Remove only (2) setscrews when disassembling. Replace setscrews in extrusion after assembling it. Before packing, replace setscrews in extrusion to avoid losing them.

**WHEN DISASSEMBLING ALUMINUM EXTRUSION, TIGHTEN ALL SETSCREWS AND LOCKS TO PREVENT LOSS DURING SHIPPING**

Item	Qty.	Description
1	4	Base Plate
2	1	96"h Vertical Extrusion with Connector Attached
3	1	96"h Vertical Extrusion with Connector Attached
4	1	96"h Vertical Extrusion with Door Hinges
5	1	96"h Vertical Extrusion w/ Screws Attached
6	2	96.25"h Vertical Extrusion
7	3	24.955" Horizontal Extrusion w/ Hole for Extrusion Attachment
7a	1	24.955" Horizontal Extrusion
8	2	11.168"h Vertical Extrusion
9	4	18.85"w Curved Horizontal Extrusion
10	3	72.584"w Horizontal Extrusion w/ Hole for Extrusion Attachment
10a	1	72.584"w Horizontal Extrusion
11	1	22.956"w Horizontal Extrusion
11a	1	Door Threshold
12	1	92.418"h Vertical Extrusion
13	2	63.647"w Horizontal Extrusion

Steps:

- 1) Attach base plate [1] to vertical extrusions [2, 3, 4 and 5], see detail D on general info page.
- 2) Attach horizontal extrusions [7 and 7a] between horizontal extrusions [2 and 6], placing inserts and attaching extrusion [8] as indicated.
- 3) Attach curved horizontal extrusions [9] between vertical extrusions [6], placing inserts as indicated.
- 4) Attach horizontal extrusions [10 and 10a] between horizontal extrusions [4 and 6], placing inserts and attaching extrusion [8] as indicated.
- 5) Attach horizontal extrusion [11] between vertical extrusions [3 and 4].
- 6) Attach door between vertical extrusions [3 and 4].
- 7) Attach horizontal extrusions [13] between vertical extrusions [4 and 5], attaching vertical extrusion [12] between horizontal extrusions [13], leave loose.
- 8) Place inserts between horizontal extrusions [13], then tighten vertical extrusion [12] in place.

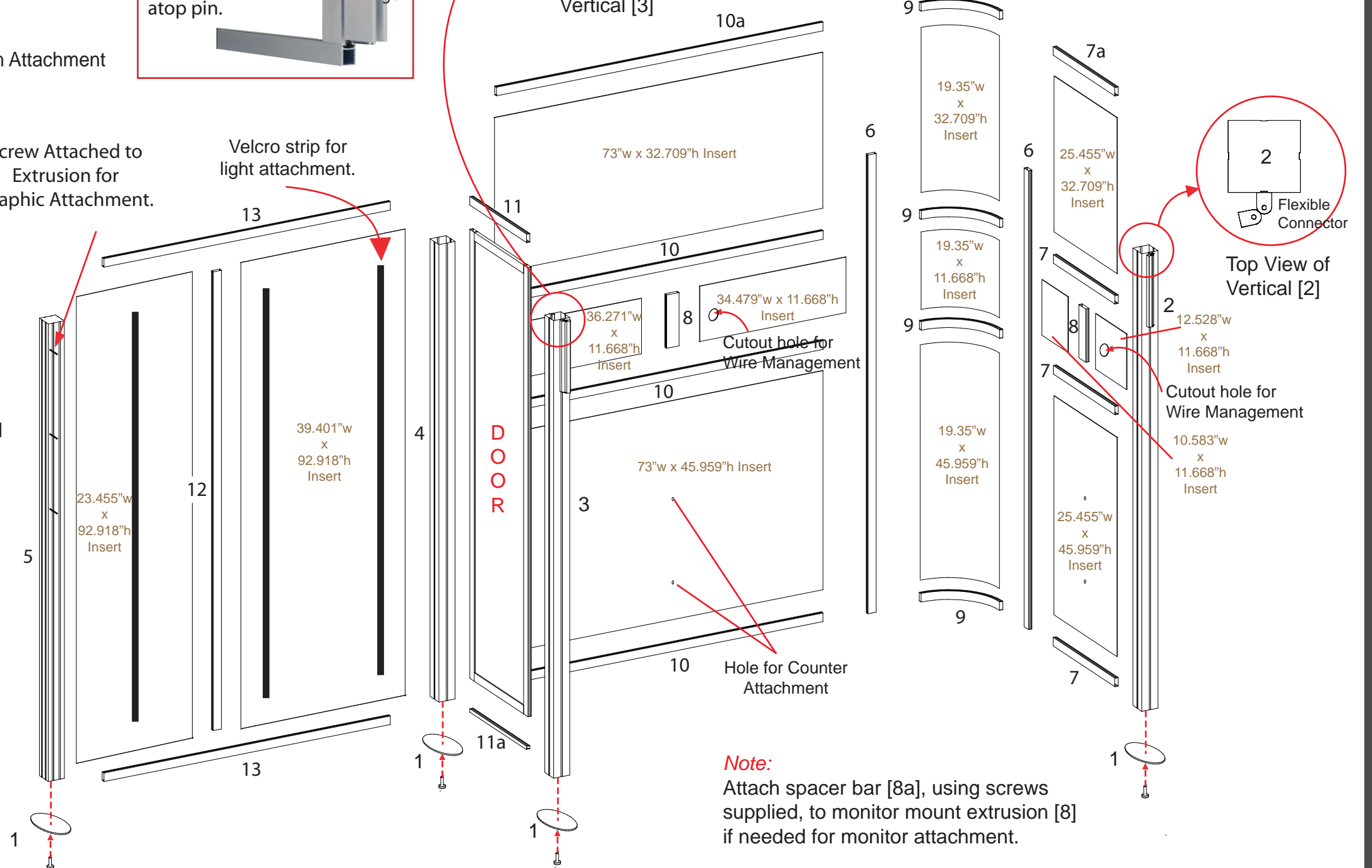


Top View of Vertical [3]

Top View of Vertical [2]

Screw Attached to Extrusion for Graphic Attachment.

Velcro strip for light attachment.



**Note:**  
Attach spacer bar [8a], using screws supplied, to monitor mount extrusion [8] if needed for monitor attachment.

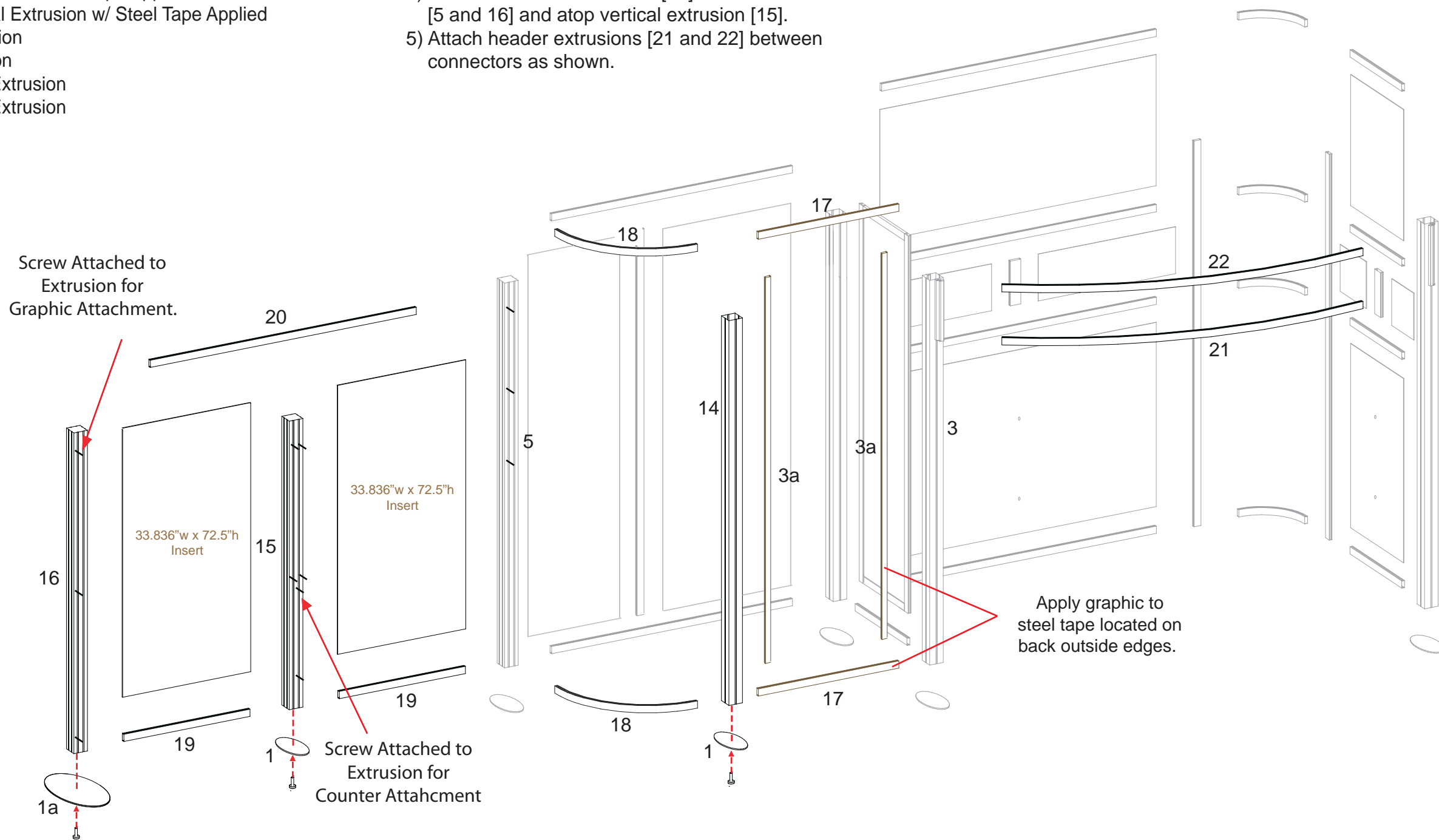
**WHEN DISASSEMBLING ALUMINUM EXTRUSION, TIGHTEN ALL SETSCREWS AND LOCKS TO PREVENT LOSS DURING SHIPPING**

866.652.2100

Item	Qty.	Description
1	2	Base Plate
1a	1	Large Base Plate
3a	2	92.418"h Extrusion w/ Steel Tape Applied
14	1	96"h Vertical Extrusion
15	1	72"h Vertical Extrusion w/ Screws Attached for Counter Attachment
16	1	80"h Vertical Extrusion w/ Screws Attached
17	2	37.11"w Horizontal Extrusion w/ Steel Tape Applied
18	2	38.288"w Curved Horizontal Extrusion w/ Steel Tape Applied
19	2	33.336"w Horizontal Extrusion
20	1	70.25"w Horizontal Extrusion
21	1	88.8"w Curved Horizontal Extrusion
22	1	88.8"w Curved Horizontal Extrusion

Steps:

- 1) Attach horizontal extrusions [17] between vertical extrusions [3 and 14], then attach vertical extrusions [3a] between horizontal extrusions [17].
- 2) Attach curved horizontal extrusions [18] between vertical extrusions [5 and 14], then attach vertical extrusions [5a] between horizontal extrusions [18].
- 3) Attach horizontal extrusions [19] between vertical extrusions [5&15 and 15&16], slide inserts between extrusions as shown.
- 4) Attach horizontal extrusion [20] between vertical extrusions [5 and 16] and atop vertical extrusion [15].
- 5) Attach header extrusions [21 and 22] between connectors as shown.



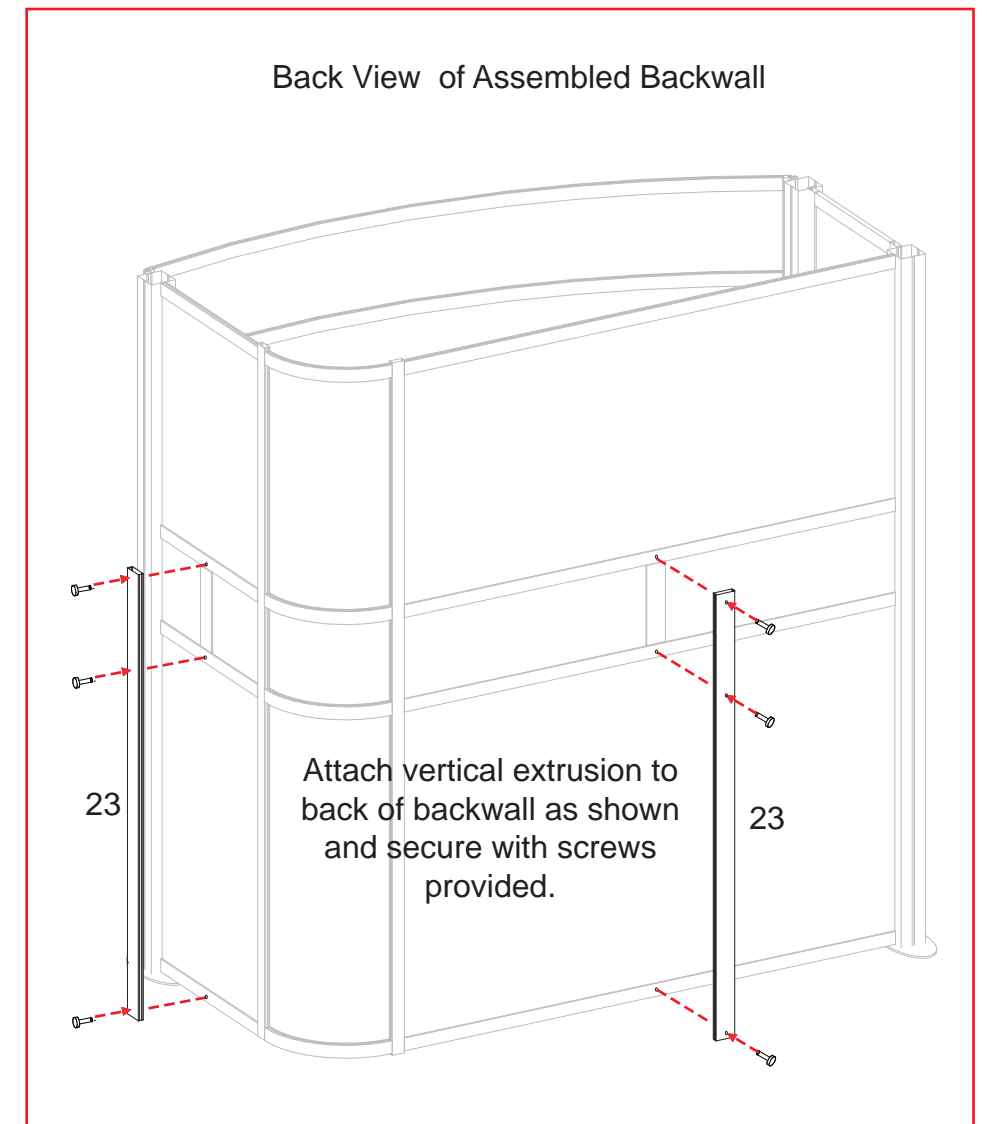
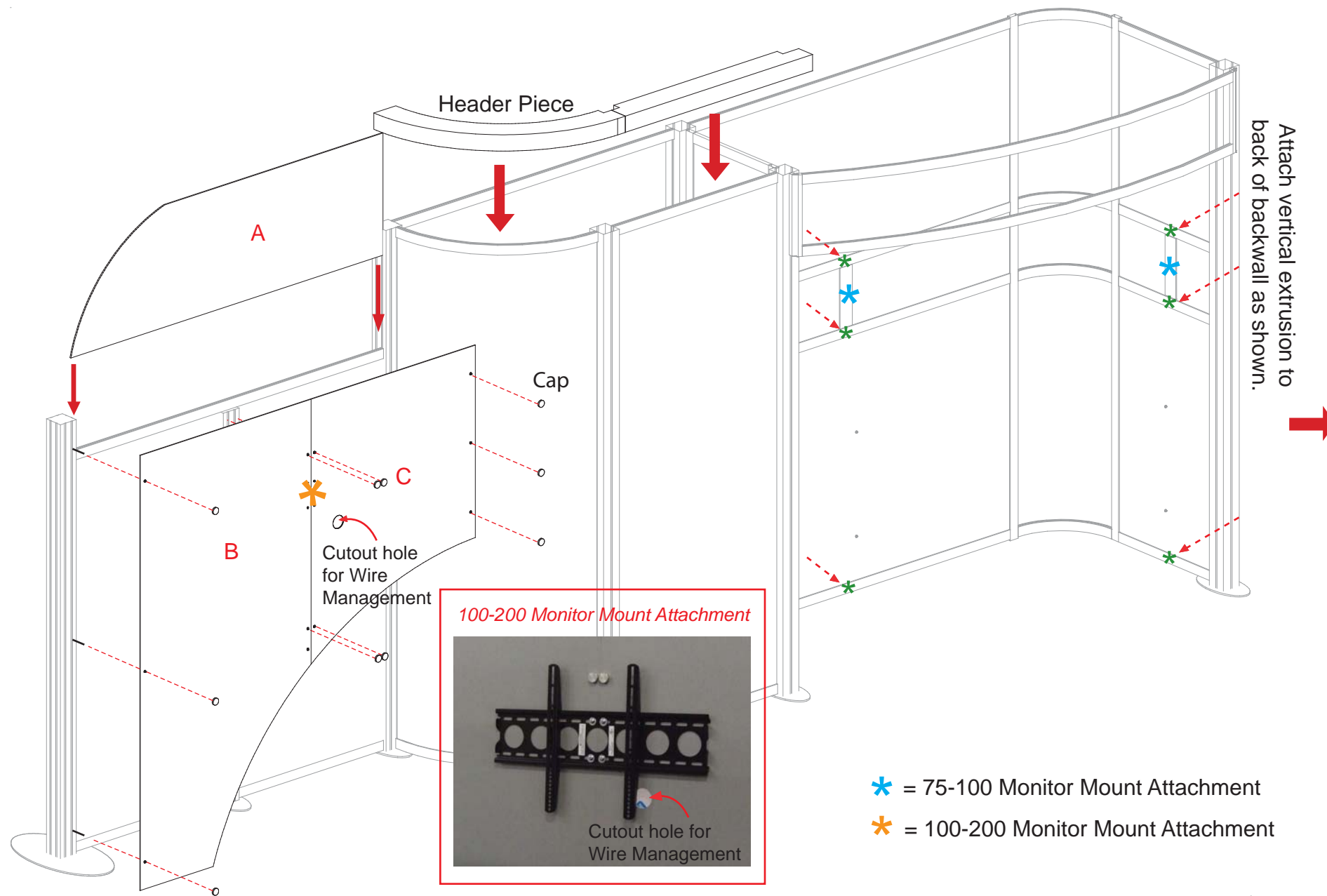
**WHEN DISASSEMBLING ALUMINUM EXTRUSION, TIGHTEN ALL SETSCREWS AND LOCKS TO PREVENT LOSS DURING SHIPPING**

866.652.2100

Item	Qty.	Description
23	2	62" h Vertical Extrusion

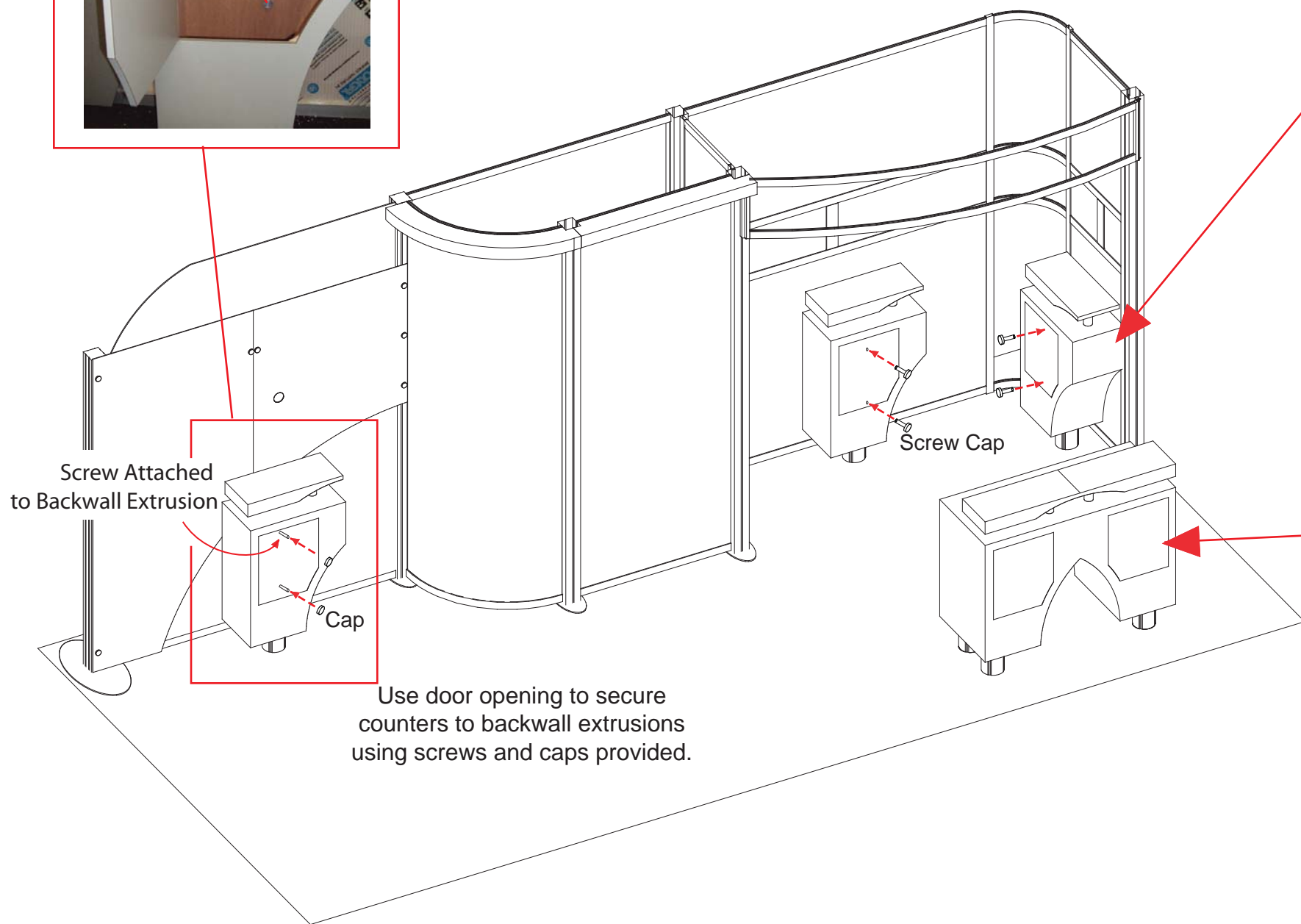
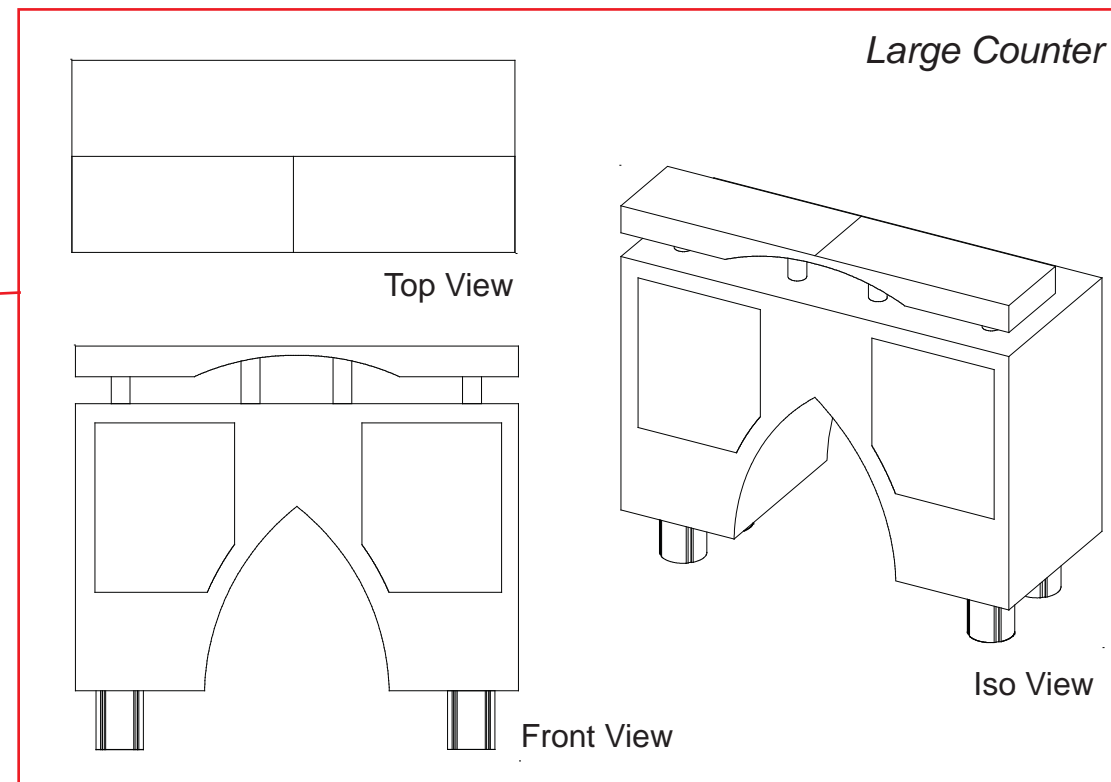
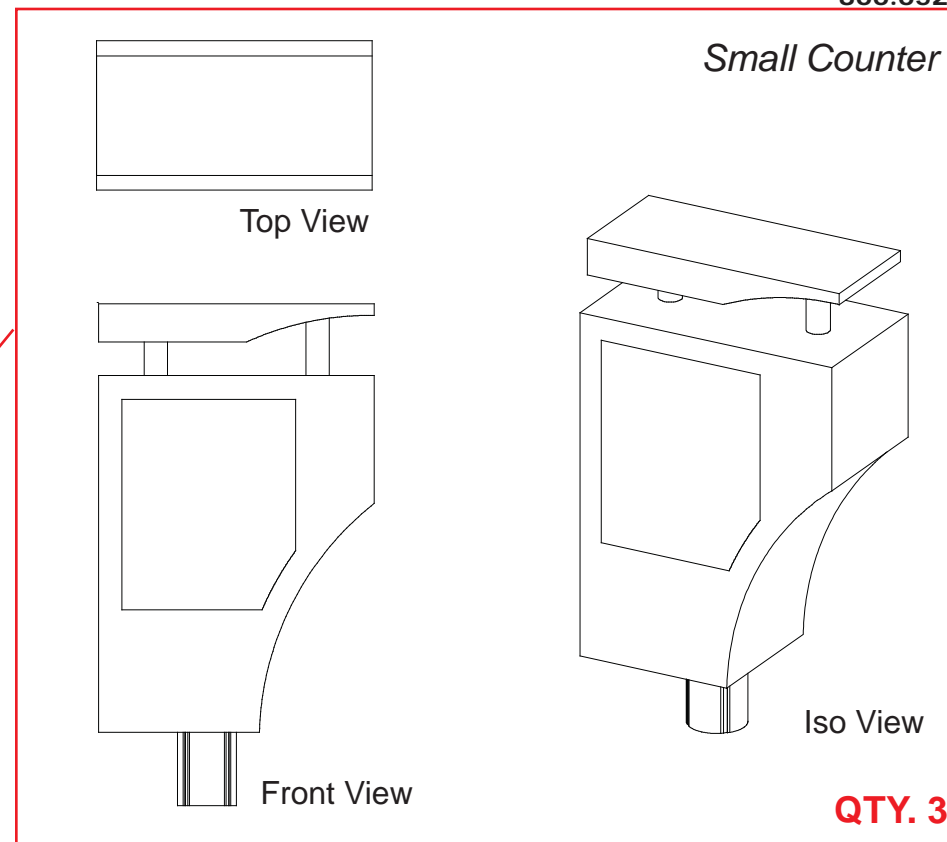
Steps:

- 1) Hook header pieces to top of assembled backwall as indicated.
- 2) Slide graphic insert [A] into grooves of extrusions.
- 3) Attach decorative covers [B and C] to backwall as shown using caps provided to secure.
- 4) Attach monitor mounts to backwall as indicated.



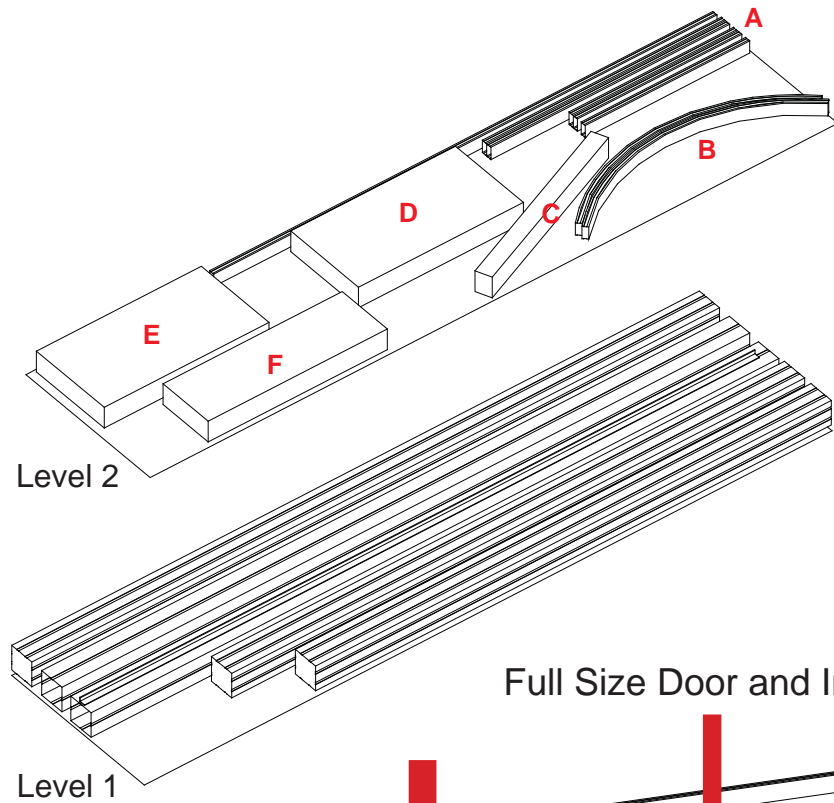
**WHEN DISASSEMBLING ALUMINUM EXTRUSION, TIGHTEN ALL SETSCREWS AND LOCKS TO PREVENT LOSS DURING SHIPPING**

866.652.2100



Use door opening to secure counters to backwall extrusions using screws and caps provided.

**WHEN DISASSEMBLING ALUMINUM EXTRUSION, TIGHTEN ALL SETSCREWS AND LOCKS TO PREVENT LOSS DURING SHIPPING**



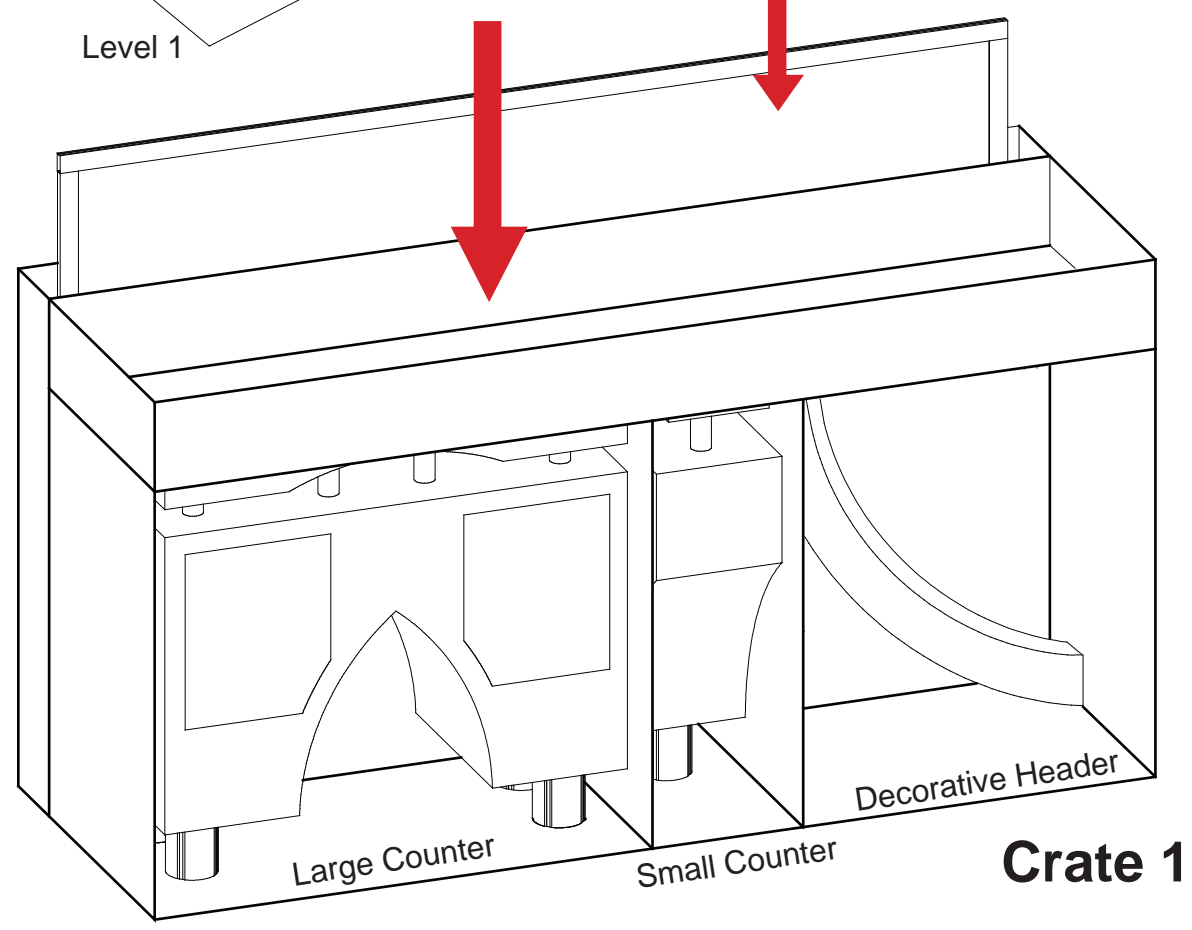
- Level 2: Part List**  
 A - (1) 70.25" Extrusion  
 (2) 33.336" Extrusion  
 (3) 22.956" Extrusion  
 B - (2) 38.288" Curved Extrusion  
 C - Fluorescent Lights  
 D - Base Plates and Metals  
 E - Setup Hardware  
 F - Monitor Mount
- Level 1: Part List**  
 - (3) 96"h Square Extrusion  
 - (1) 80"h Square Extrusion  
 - (1) 72"h Square Extrusion



Level 1



Level 2

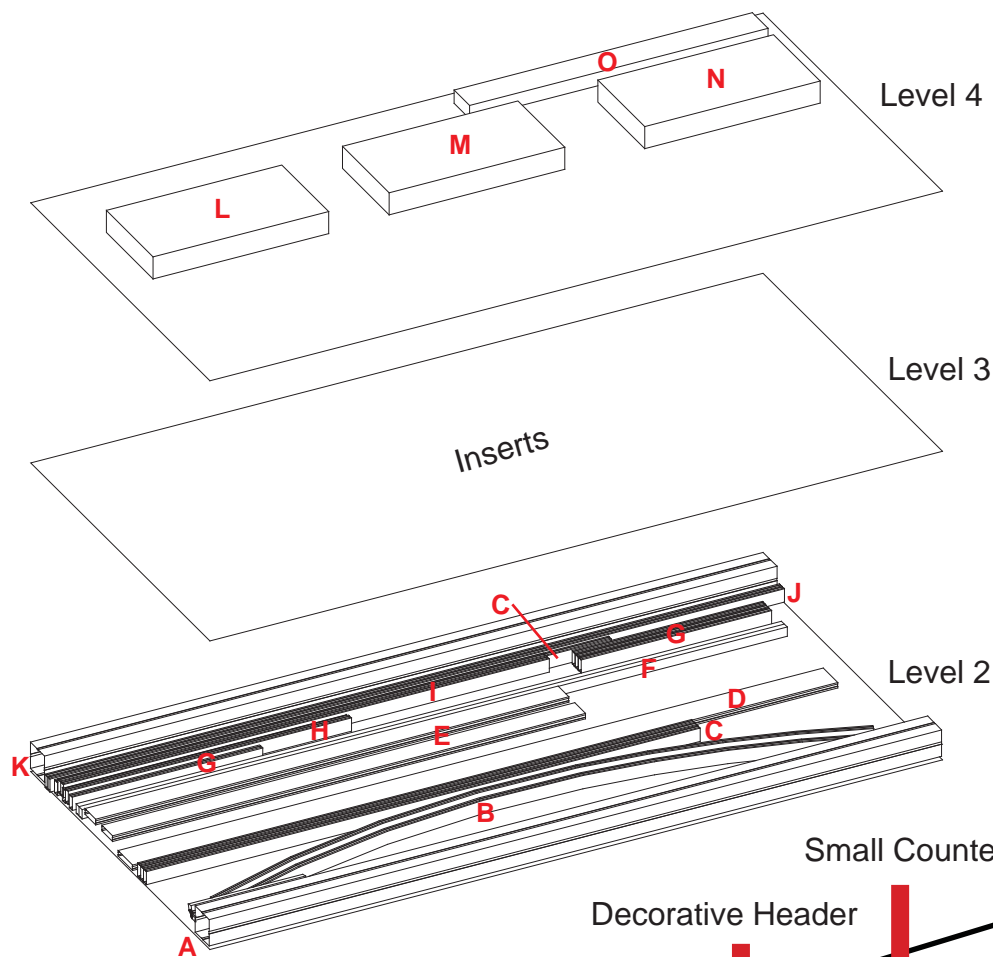


**Crate 1**



**Crate 1**

**WHEN DISASSEMBLING ALUMINUM EXTRUSION, TIGHTEN ALL SETSCREWS AND LOCKS TO PREVENT LOSS DURING SHIPPING**



Level 4: Part List  
 L - Setup Hardware  
 M - Base Plate and Metal Extrusions  
 N - Monitor Mounts  
 O - Fluorescent Lights

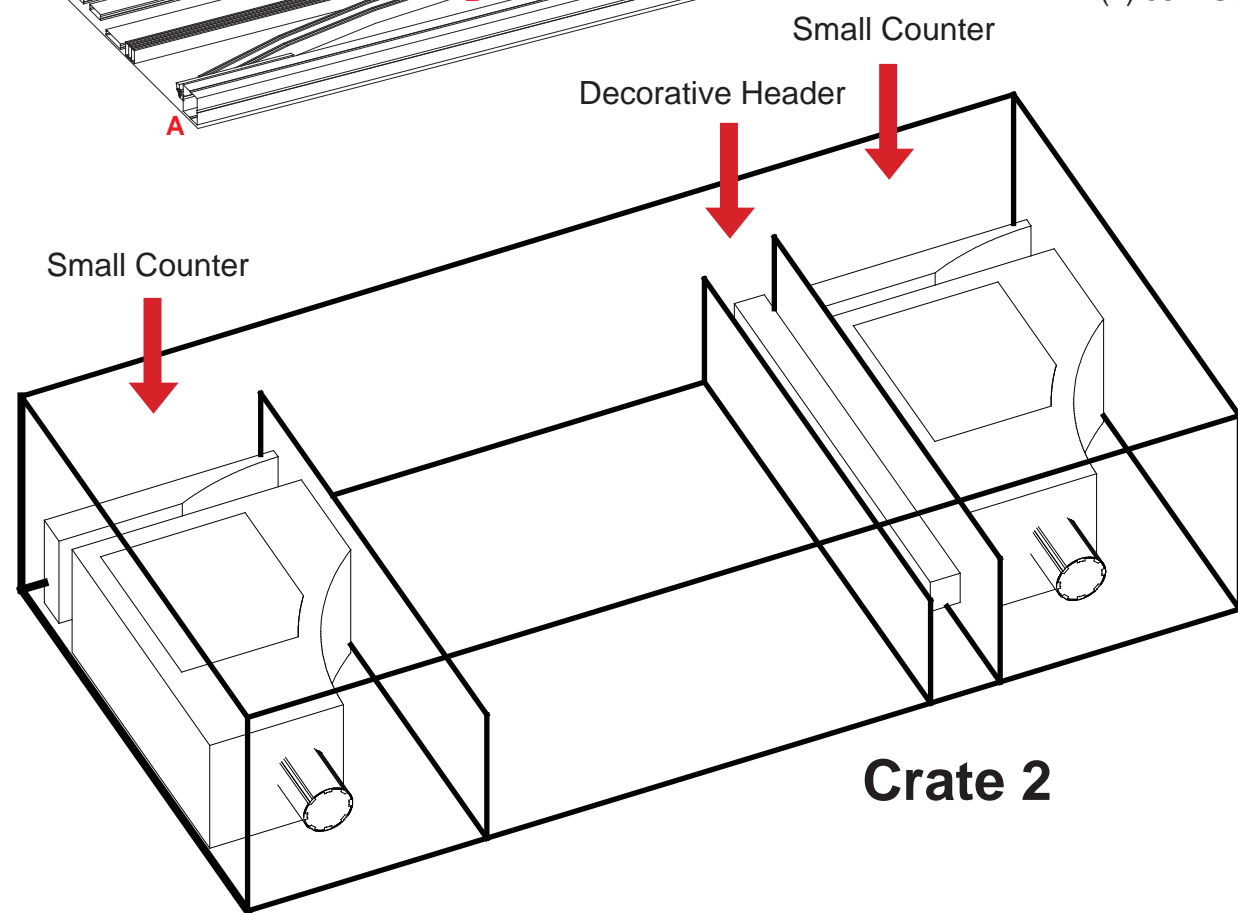
Level 2: Part List  
 A - (1) 96" Square Extrusion  
 B - (2) 88.8" Curved Extrusion  
 C - (4) 72.584"w Extrusion  
 D - (1) 92.418"h Extrusion  
 E - (2) 62"h Extrusion  
 F - (2) 92.418"h Extrusion  
 G - (4) 24.955"w Extrusion  
 H - (2) 37.11"w Extrusion  
 I - (2) 63.647"w Extrusion  
 J - (2) 96.25"h Extrusion  
 K - (1) 96"h Square Extrusion



Level 3



Level 4



Crate 2



Level 1

Crate 2



Level 2

WHEN DISASSEMBLING ALUMINUM EXTRUSION, TIGHTEN ALL SETSCREWS AND LOCKS TO PREVENT LOSS DURING SHIPPING