

# euro It

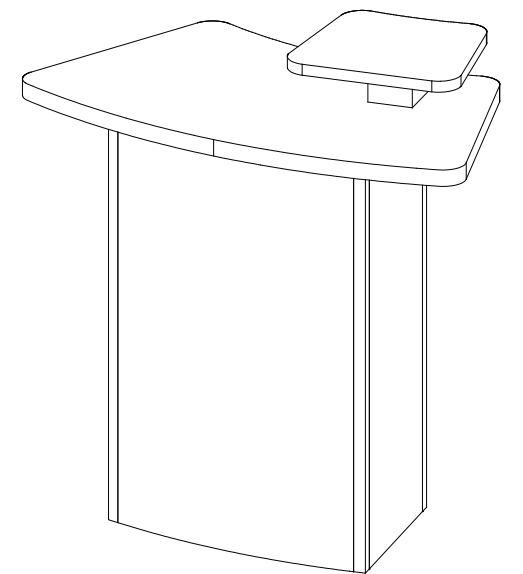
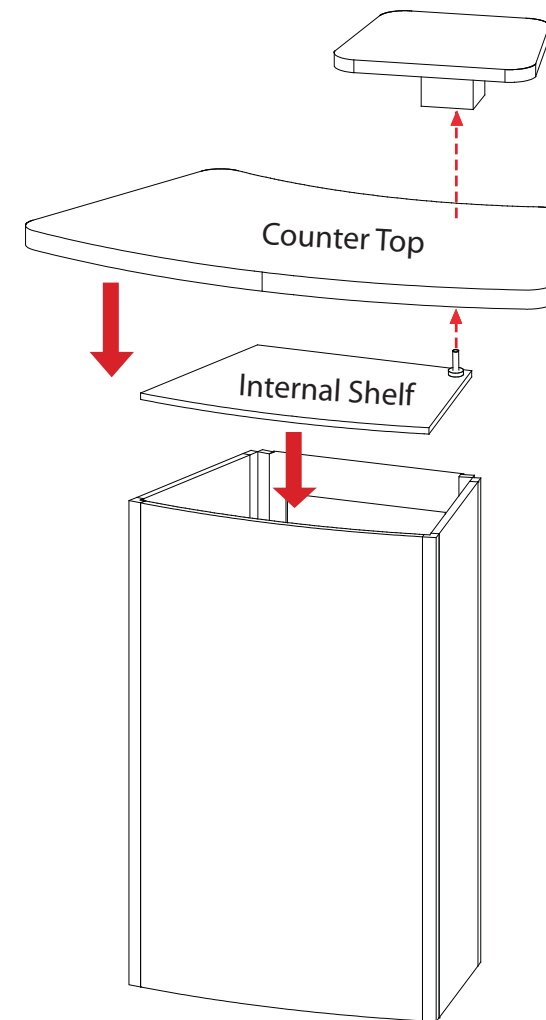
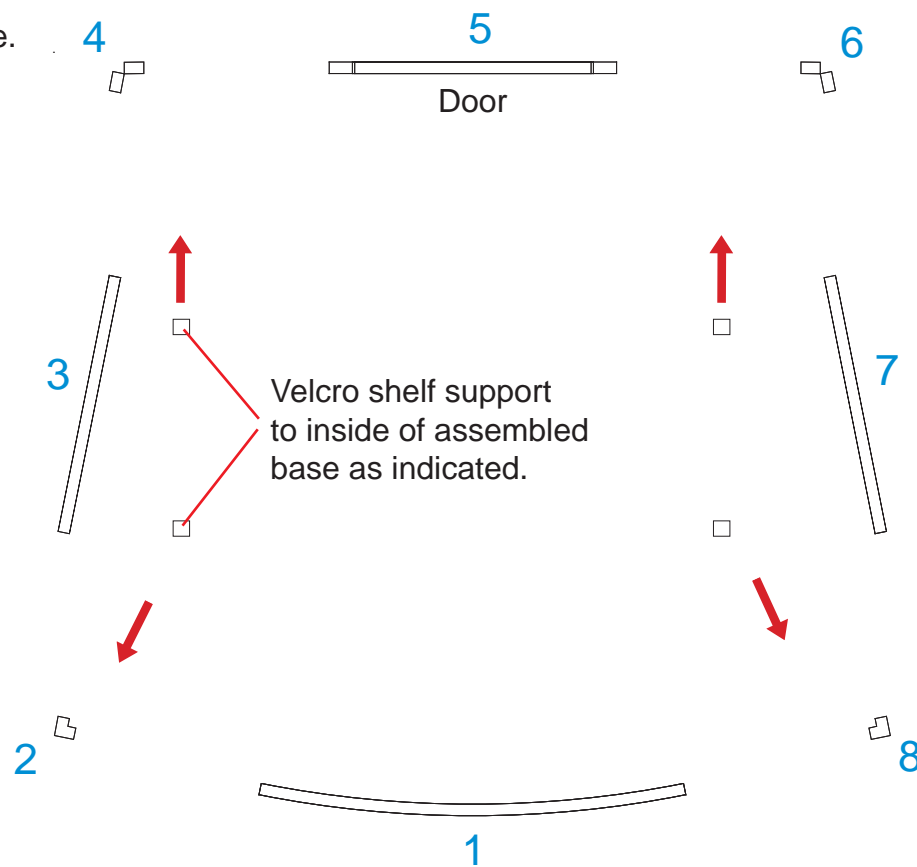
Item Number	Description
1	57.5"r x 38"h Curve Panel
2	38"h 90° Connector
3	14.125"w x 38"h Flat Panel
4	38"h Flex Connector
5	15.5"w x 38"h Flat Panel w/ Door
6	38"h Flex Connector
7	14.125"w x 38"h Flat Panel
8	38"h 90° Connector

Steps:  
Connect panels together in numerical order as shown in illustrations.

Velcro shelf supports to inside of assembled base. Then set internal shelf atop supports.

Attach small counter atop counter using bolt provided.

Set counter atop assembled pedestal.



# euro It | HYBRIDS

## Euro LT Hybrids General Setup Instructions

### Using Your Setup Instructions

The Euro LT Hybrids Setup Instructions are created specifically for your configuration. They are laid out sequentially in levels, including exploded views, and a logical series of detailed steps to assemble the main structure and components. We encourage you to study the instructions **before** attempting to assemble your exhibit.

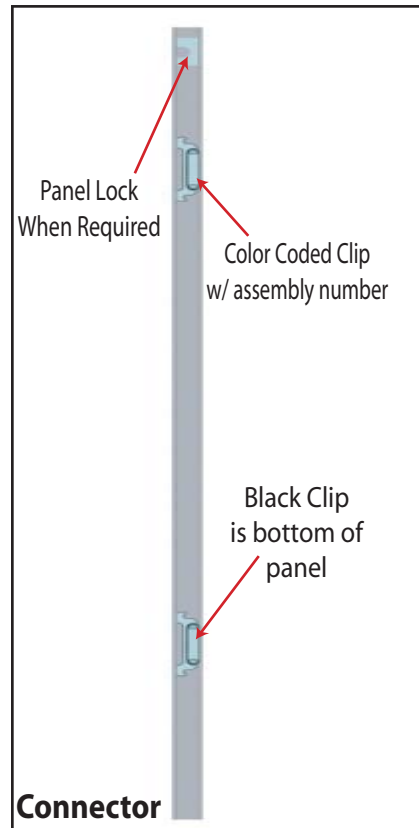
### Cleaning and Packing Your Display

- 1) When cleaning laminate countertops or panels use mild cleansers and a soft material such as cotton.
- 2) Keep all display components away from extreme heat and long exposure to sunlight to avoid warping and fading.
- 3) Retain all packing material. It will make re-packing much easier and will reduce the likelihood of shipping damage.

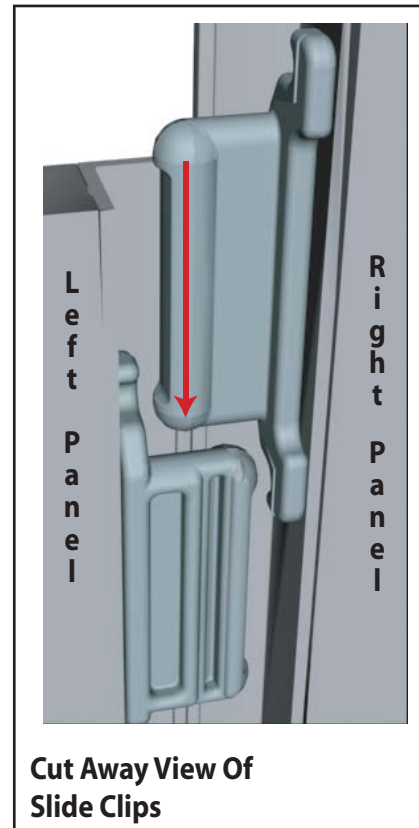
Level 1 = Blue  
 Level 2 = Red  
 Level 3 = Green  
 Level 4 = Black

#### Color Code

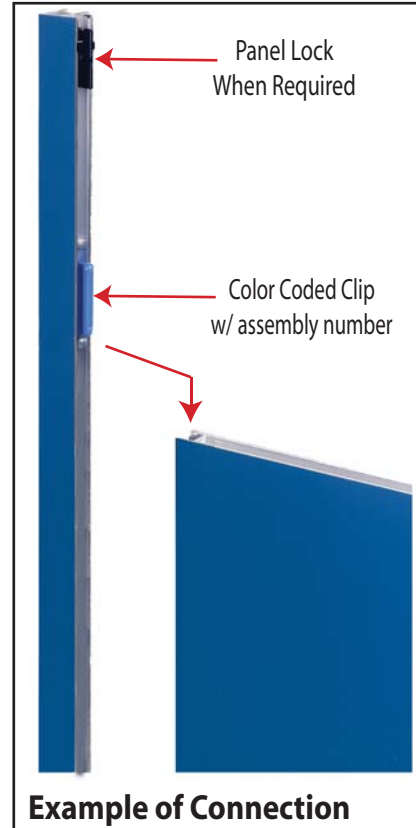
The top clip is color coded to distinguish the level. The color coded clip also contains the numbered label



Each component has 2 clips, the lower clip is ALWAYS black..



Components connect together by aligning them and sliding downward connecting clips together.



Configurations are assembled from left to right, usually starting with #1 and following the numbered sequence.



The first level of components contains panel locks that are located at the top of the panel for extra stability and a seamless connection. When disassembling panels, twist top connection slightly and lift right panel upward.

