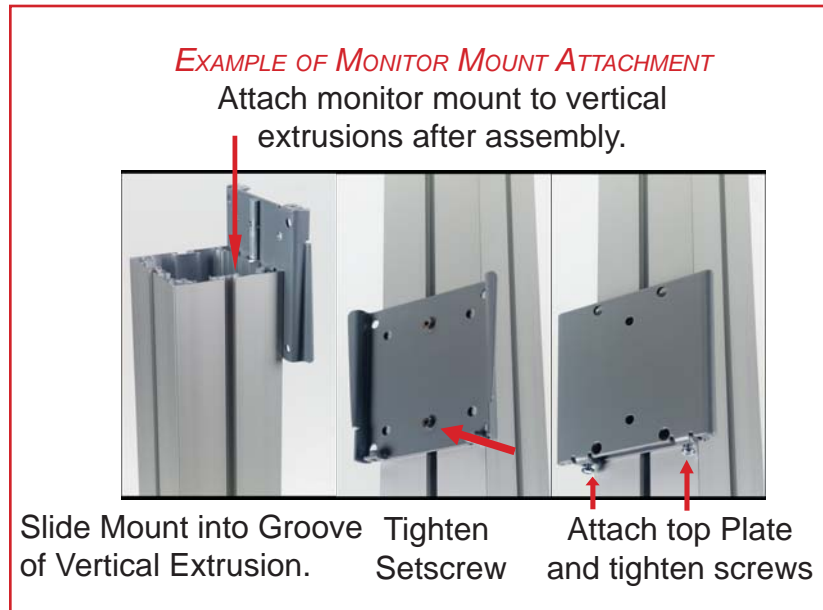
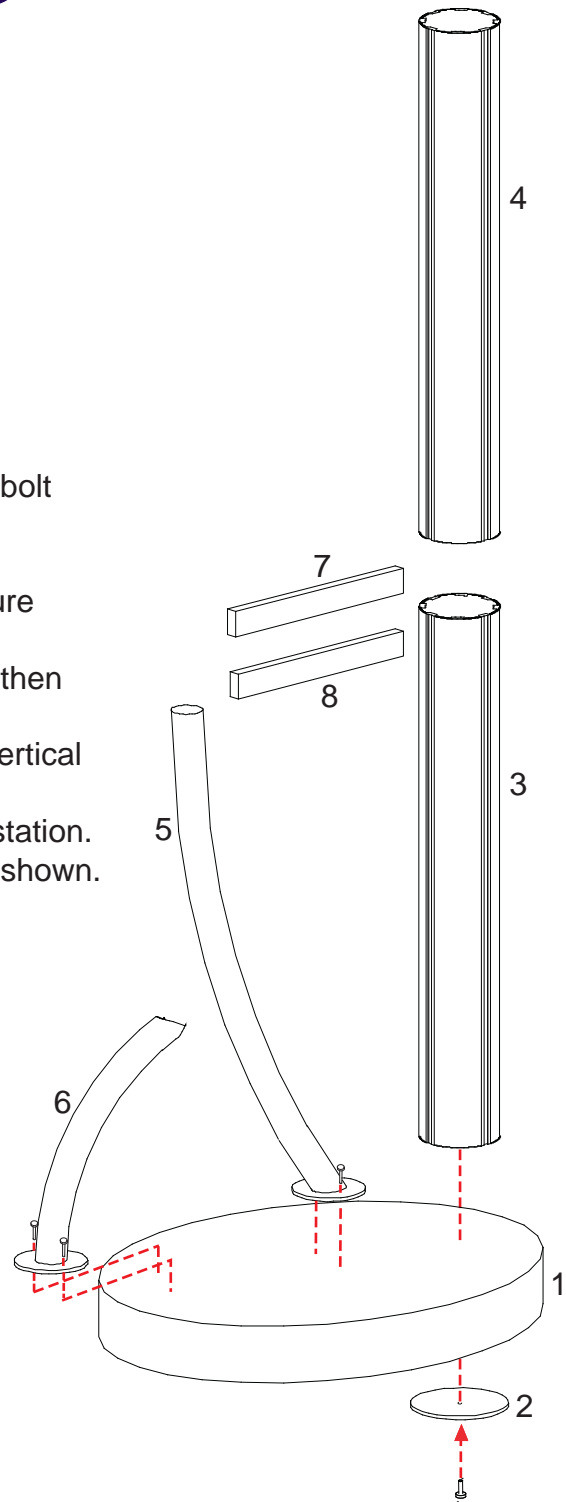




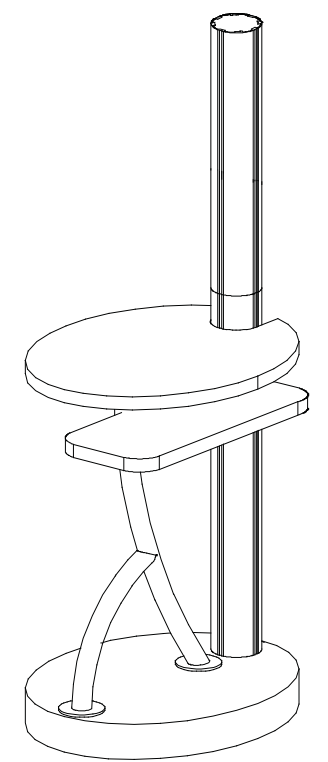
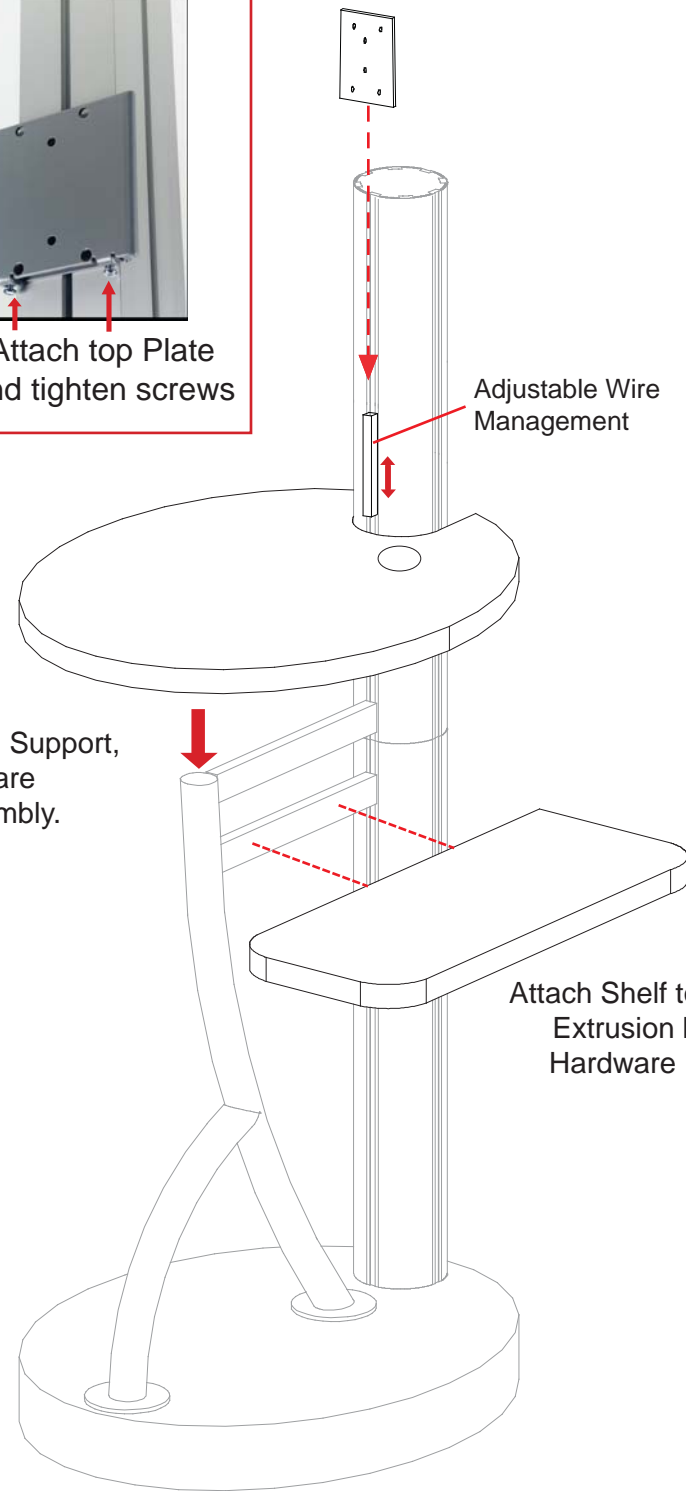
| Item | Qty. | Description |
|------|------|------------------------------|
| 1 | 1 | Laminated Wood Base |
| 2 | 1 | 6"d Base Plate |
| 3 | 1 | 40" Lower Vertical Extrusion |
| 4 | 1 | 40" Upper Vertical Extrusion |
| 5 | 1 | Curved Extrusion |
| 6 | 1 | Curved Extrusion |
| 7 | 1 | 13.845" Horizontal Support |
| 8 | 1 | 13.652" Horizontal Support |

Steps:

- 1) Attach vertical extrusion [3] to base by screwing bolt from underside of wooden base thru 6"d base.
- 2) Connect upper vertical [4] to lower vertical [3].
- 3) Attach curve extrusion [5] to wood base [1], secure with supplied wing nuts.
- 4) Attach curve extrusion [6] to curve extrusion [5], then secure bottom with supplied wing nuts
- 5) Attach horizontal extrusions [7 and 8] between vertical extrusion [3] and curve extrusion [5].
- 6) Attach counter top and shelf to assembled workstation.
- 7) Attach monitor mount to vertical extrusion [4] as shown.



Place Counter atop Horizontal Support, then secure with Hardware Provided to Vertical Assembly.



WHEN DISASSEMBLING ALUMINUM EXTRUSION, TIGHTEN ALL SETSCREWS AND LOCKS TO PREVENT LOSS DURING SHIPPING

visionary™ DESIGNS

Using Your Setup Instructions

The Visionary Designs Setup Instructions are created specifically for your configuration. They are laid out sequentially, including an exploded view of the entire display, and then a logical series of detailed steps to assemble the main structure and components. We encourage you to study the instructions **before** attempting to assemble your exhibit.

Each page reminds you to tighten the setscrews after disassembling your exhibit to prevent loss of the locks and setscrews (see below in RED). This is **VERY IMPORTANT**.

Cleaning and Packing Your Display

- 1) Use care when cleaning aluminum extrusion or acrylic inserts. Use only non-abrasive cleaners.
- 2) When cleaning laminate inserts or countertops, use mild cleansers and a soft material such as cotton.
- 3) Keep all display components away from extreme heat and long exposure to sunlight to avoid warping and fading.
- 4) Retain all packing material. It will make re-packing much easier and will reduce the likelihood of shipping damage.



The Tool

Most Visionary Designs exhibits can be assembled with the supplied Hex Key Tool. Occasionally, a flat head screwdriver may be required.



Typical Connection

Most horizontal extrusion connections have a patented expandable lock. This lock inserts into the groove of an opposing extrusion. Tightening the lock with the Hex Key Tool expands the lock and creates a strong positive connection.



Typical Connection (cont'd)



Detail B

Numbered Label

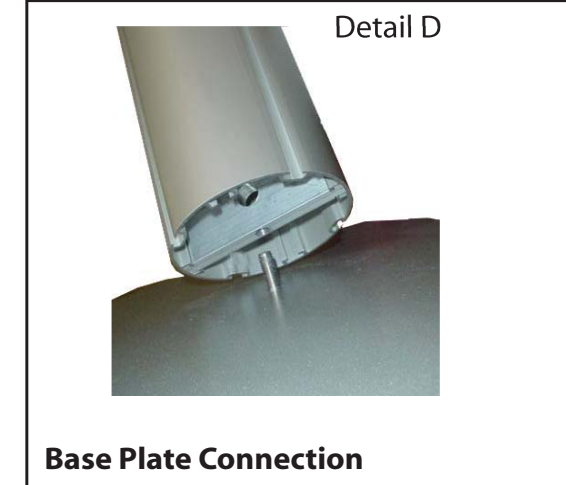
Each extrusion contains a numbered label which corresponds with setup instructions. The label is located within a groove of the extrusion (when possible). With Visionary Designs the labels contain Black numbers unless otherwise specified.



Detail C

Horizontal Inline Connection (remove only one setscrew)

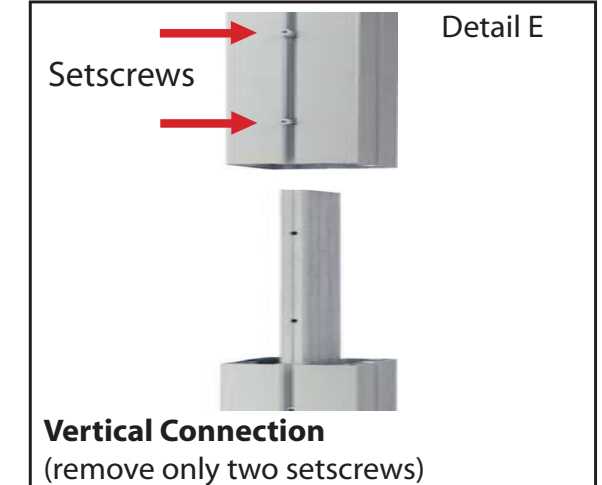
Remove only (1) setscrew when disassembling. Replace setscrew in extrusion after assembling it. Before packing, replace setscrew in extrusion to avoid losing it.



Detail D

Base Plate Connection

Attach base plate to round or square vertical extrusion using the bolt provided. Be careful not to strip the threads.



Detail E

Vertical Connection
(remove only two setscrews)

When vertical extrusions are packed in portable cases rather than crates or tubs, they must be broken down into smaller sections which then require assembly.

Remove only (2) setscrews when disassembling. Replace setscrews in extrusion after assembling it. Before packing, replace setscrews in extrusion to avoid losing them.

WHEN DISASSEMBLING ALUMINUM EXTRUSION, TIGHTEN ALL SETSCREWS AND LOCKS TO PREVENT LOSS DURING SHIPPING