

WHEN DISASSEMBLING ALUMINUM EXTRUSION, TIGHTEN ALL SETSCREWS AND LOCKS TO PREVENT LOSS DURING SHIPPING

visionary™ DESIGNS

Using Your Setup Instructions

The Visionary Designs Setup Instructions are created specifically for your configuration. They are laid out sequentially, including an exploded view of the entire display, and then a logical series of detailed steps to assemble the main structure and components. We encourage you to study the instructions **before** attempting to assemble your exhibit.

Each page reminds you to tighten the setscrews after disassembling your exhibit to prevent loss of the locks and setscrews (see below in RED). This is **VERY IMPORTANT**.

Cleaning and Packing Your Display

- 1) Use care when cleaning aluminum extrusion or acrylic inserts. Use only non-abrasive cleaners.
- 2) When cleaning laminate inserts or countertops, use mild cleansers and a soft material such as cotton.
- 3) Keep all display components away from extreme heat and long exposure to sunlight to avoid warping and fading.
- 4) Retain all packing material. It will make re-packing much easier and will reduce the likelihood of shipping damage.



The Tool

Most Visionary Designs exhibits can be assembled with the supplied Hex Key Tool. Occasionally, a flat head screwdriver may be required.



Detail A

Typical Connection



Typical Connection (cont'd)

Most horizontal extrusion connections have a patented expandable lock. This lock inserts into the groove of an opposing extrusion. Tightening the lock with the Hex Key Tool expands the lock and creates a strong positive connection.



Detail B

Numbered Label

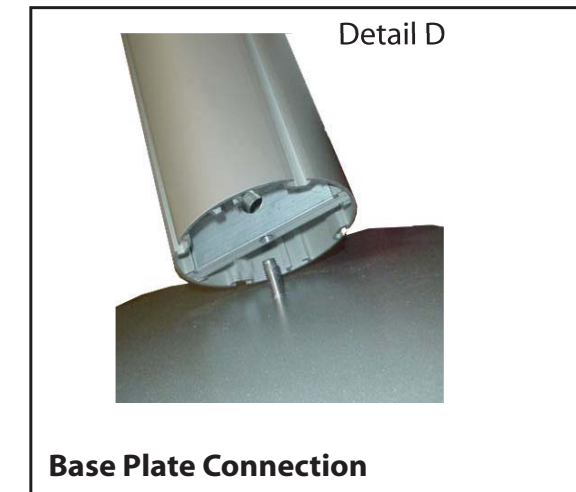
Each extrusion contains a numbered label which corresponds with setup instructions. The label is located within a groove of the extrusion (when possible). With Visionary Designs the labels contain Black numbers unless otherwise specified.



Detail C

Horizontal Inline Connection (remove only one setscrew)

Remove only (1) setscrew when disassembling. Replace setscrew in extrusion after assembling it. Before packing, replace setscrew in extrusion to avoid losing it.



Detail D

Base Plate Connection

Attach base plate to round or square vertical extrusion using the bolt provided. Be careful not to strip the threads.



Detail E

Vertical Connection
(remove only two setscrews)

When vertical extrusions are packed in portable cases rather than crates or tubs, they must be broken down into smaller sections which then require assembly.

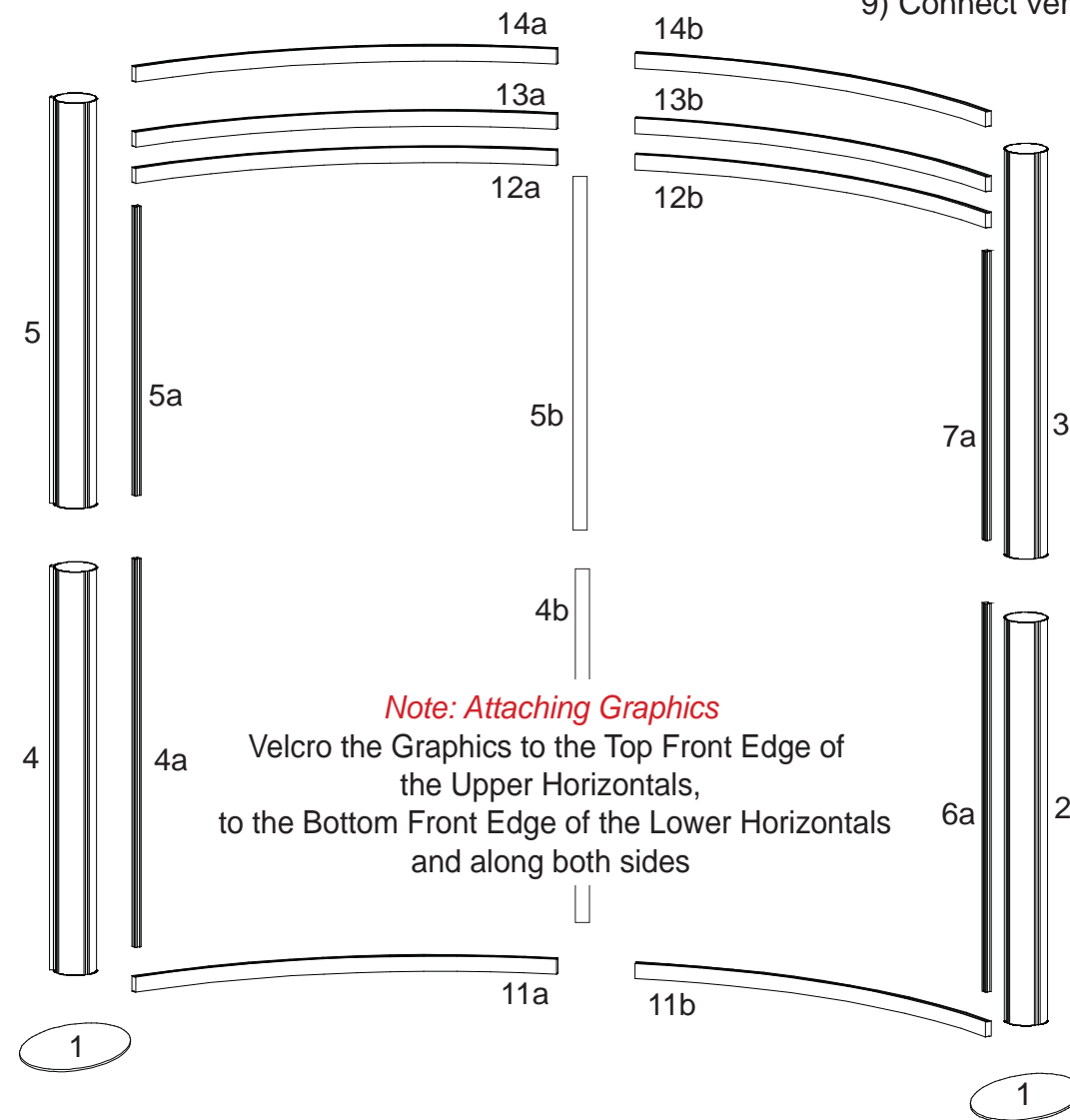
Remove only (2) setscrews when disassembling. Replace setscrews in extrusion after assembling it. Before packing, replace setscrews in extrusion to avoid losing them.

WHEN DISASSEMBLING ALUMINUM EXTRUSION, TIGHTEN ALL SETSCREWS AND LOCKS TO PREVENT LOSS DURING SHIPPING

Item	Quantity	Description	Item	Quantity	Description
1	4	Oval Base Plate	11a/11b	1/1	50.875" Curved Horizontal Extrusion
2	1	47.5"h Round Vertical Extrusion	12a/12b	1/1	50.875" Curved Horizontal Extrusion
3	1	48"h Round Vertical Extrusion	13a/13b	1/1	50.875" Curved Horizontal Extrusion
4	1	47.5"h Round Vertical Extrusion	14a/14b	1/1	50.875" Curved Horizontal Extrusion
4a	1	45.9591" Extrusion			
4b/5b	1/1	45.9591" Extrusion/ 34.2087" Extrusion			
5	1	48"h Round Vertical Extrusion			
5a	1	34.2087" Extrusion			
6a	1	45.9591" Extrusion			
7a	1	34.2087" Extrusion			

Steps:

- 1) Connect vertical extrusions [3 and 5] to lower vertical extrusions [2 and 4].
- 2) Connect vertical assemblies [2/3 and 4/5] to oval base plates [1], refer to Detail D on General Info. Page.
- 3) Assemble curved horizontals by connecting pieces [11a to 11b, 12a to 12b, 13a to 13b, and 14a to 14b].
- 4) Connect lower curved assembly [11a/11b] between vertical assemblies [4/5 and 2/3] as shown below.
- 5) Insert extrusions [4a thru 7a] into grooves of vertical extrusions where indicated.
- 6) Connect curved assemblies [12a/12b] between vertical assemblies [4/5 and 2/3] and atop vertical extrusions [5a and 7a].
- 7) Connect curved assemblies [13a/13b] between vertical assemblies [4/5 and 2/3] setting it atop curved assemblies [12a/12b].
- 8) Connect curved assemblies [14a/14b] between and flush to top of vertical assemblies [4/5 and 2/3].
- 9) Connect verticals [4b to 5b] then attach to center of curved assembly as shown.

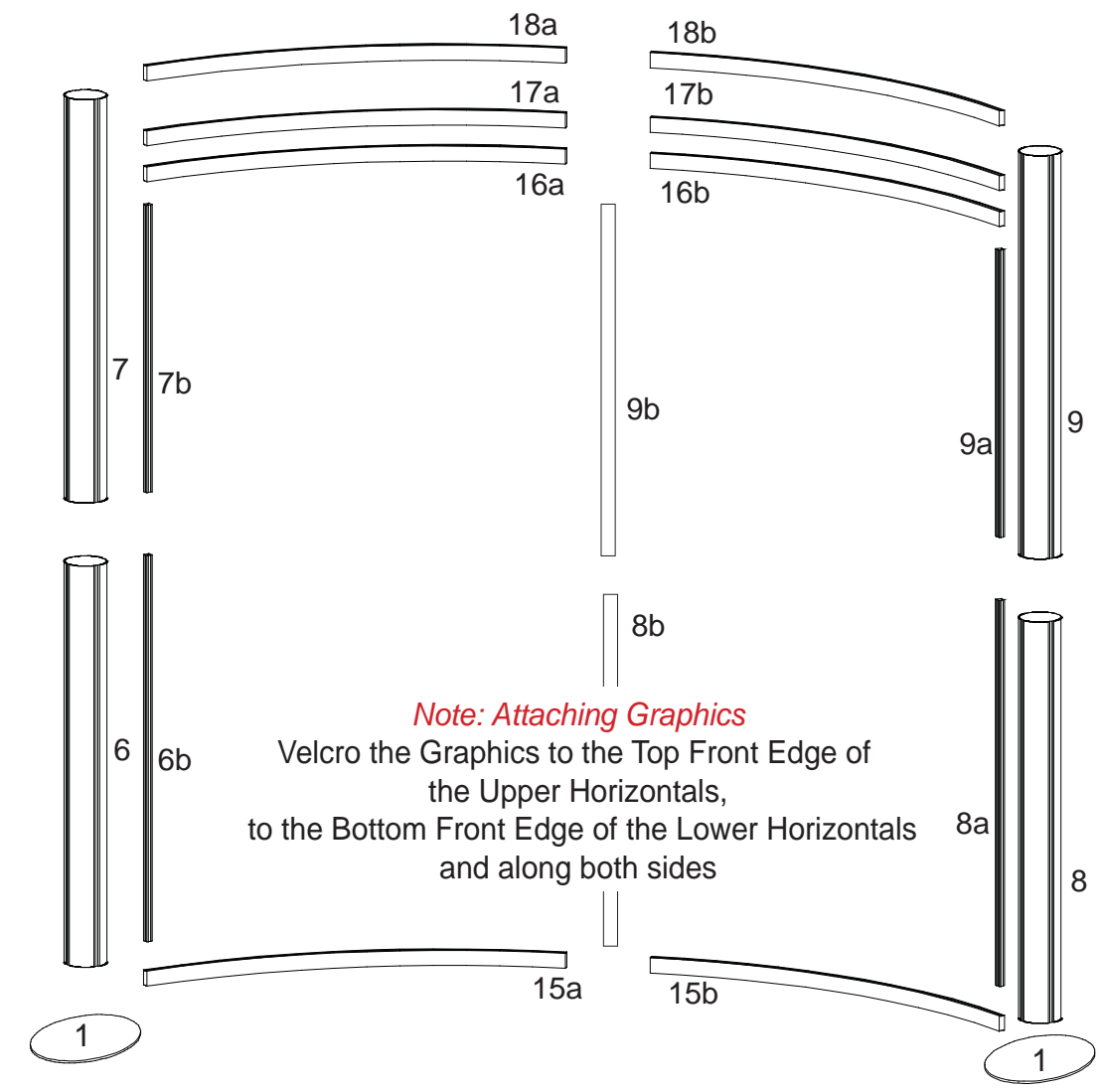


WHEN DISASSEMBLING ALUMINUM EXTRUSION, TIGHTEN ALL SETSCREWS AND LOCKS TO PREVENT LOSS DURING SHIPPING

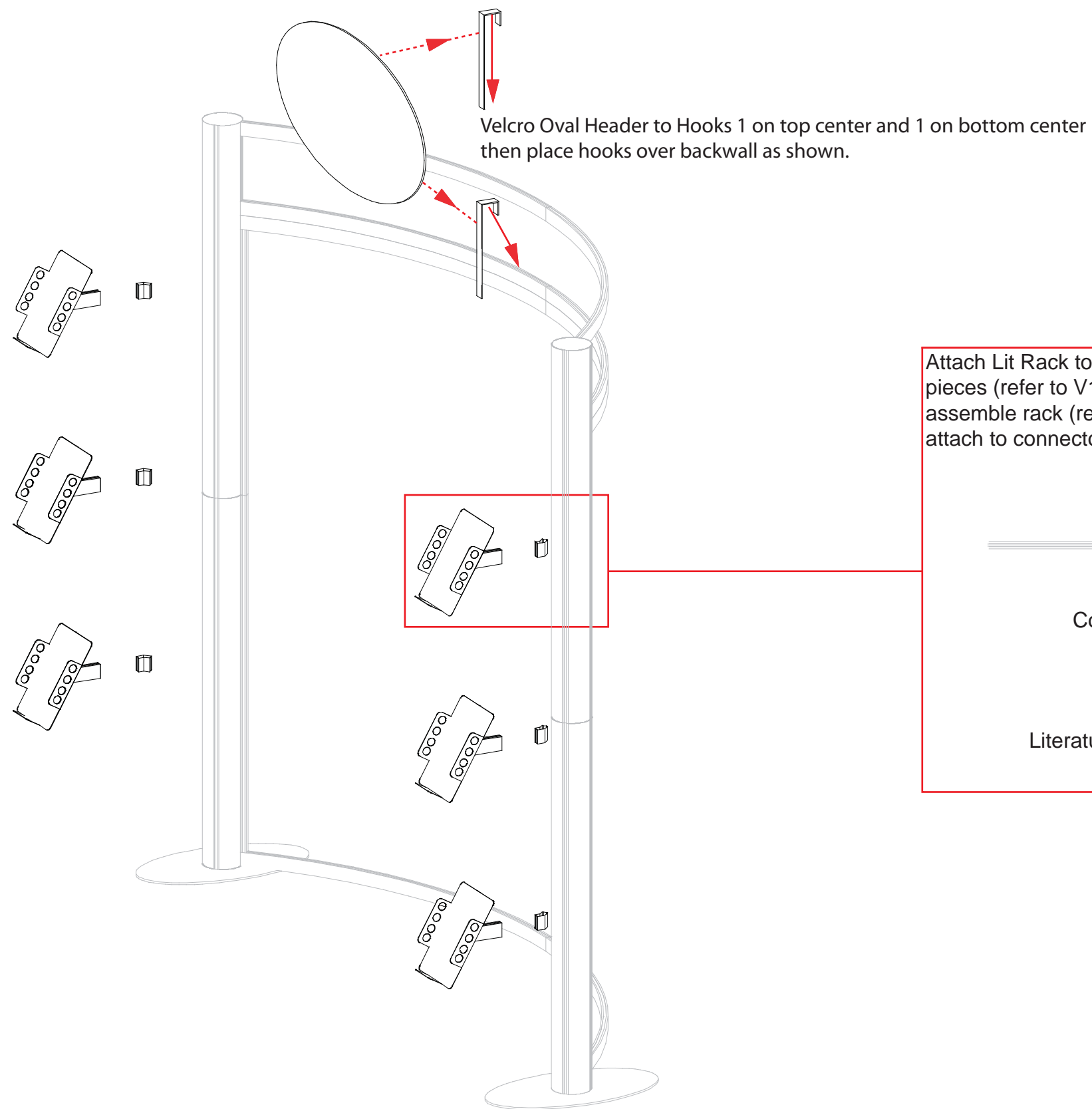
866.652.2100

Item	Quantity	Description
1	2	Oval Base Plate
6	1	47.5"h Round Vertical Extrusion
6b	1	45.9591" Extrusion
7	1	48"h Round Vertical Extrusion
7b	1	34.2087" Extrusion
8	1	47.5"h Round Vertical Extrusion
8a	1	45.9591" Extrusion
8b/9b	1/1	45.9591" Extrusion/ 34.2087" Extrusion
9	1	48"h Round Vertical Extrusion
9a	1	34.2087" Extrusion
15a/15b	1/1	50.875" Curved Horizontal Extrusion
16a/16b	1/1	50.875" Curved Horizontal Extrusion
17a/17b	1/1	50.875" Curved Horizontal Extrusion
18a/18b	1/1	50.875" Curved Horizontal Extrusion

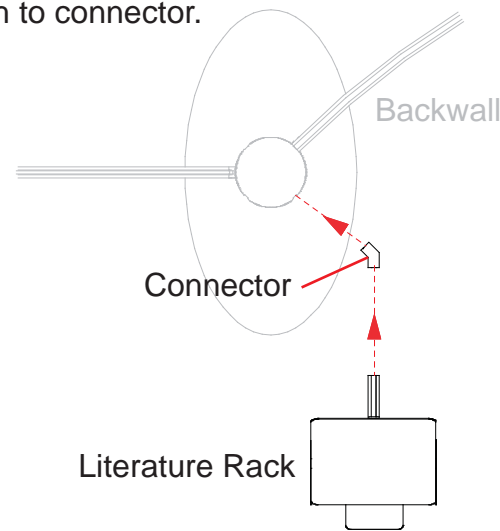
- Steps:
- 1) Connect vertical extrusions [7 and 9] to lower vertical extrusions [6 and 8].
 - 2) Connect vertical assemblies [6/7 and 8/9] to oval base plates [1], refer to Detail D on General Info. Page.
 - 3) Assemble curved horizontals by connecting pieces [15a to 15b, 16a to 16b, 17a to 17b and 18a to 18b].
 - 4) Connect lower curved assembly [15a/15b] between vertical assemblies [6/7 and 8/9] as shown below.
 - 5) Insert extrusions [6b thru 9a] into grooves of vertical extrusions where indicated.
 - 6) Connect curved assembly [16a/16b] between vertical assemblies [6/7 and 8/9] and atop vertical extrusions [7b and 9a].
 - 7) Connect curved assembly [17a/17b] between vertical assemblies [6/7 and 8/9] setting it atop curved assembly [16a/16b].
 - 8) Connect curved assembly [18a/18b] between and flush to top of vertical assemblies [6/7 and 8/9].
 - 9) Connect vertical extrusion [8b to 9b] then attach between curved extrusions as shown.



WHEN DISASSEMBLING ALUMINUM EXTRUSION, TIGHTEN ALL SETSCREWS AND LOCKS TO PREVENT LOSS DURING SHIPPING



Attach Lit Rack to backwall using connector pieces (refer to V10 Detail for connection), assemble rack (refer to Lit Rack Detail), attach to connector.

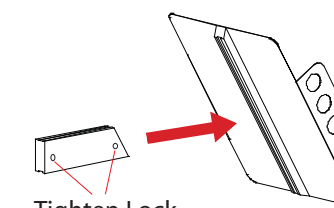


V10 Detail



Slide V10 Connector in between horizontal extrusion and connector, and place at desired height then tighten in place.

Literature Rack Attachment



Attach connector piece to rack as shown. Then connect assembled literature rack to connector extrusion.

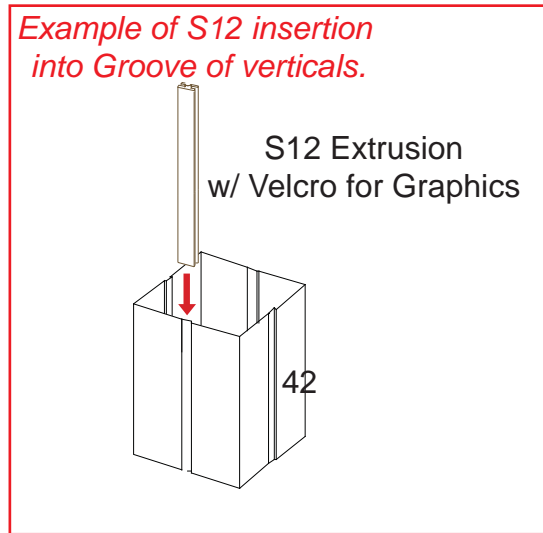
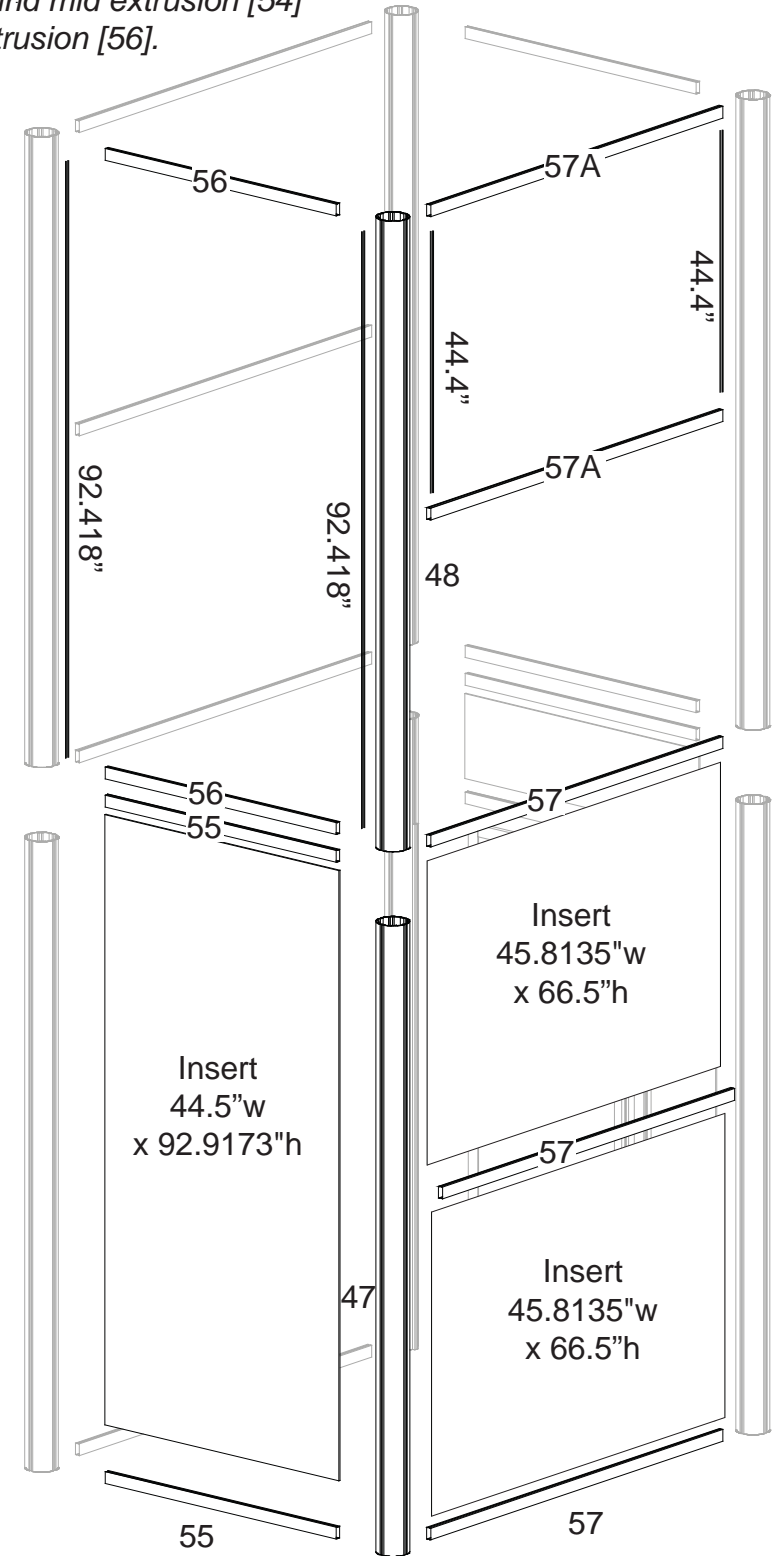
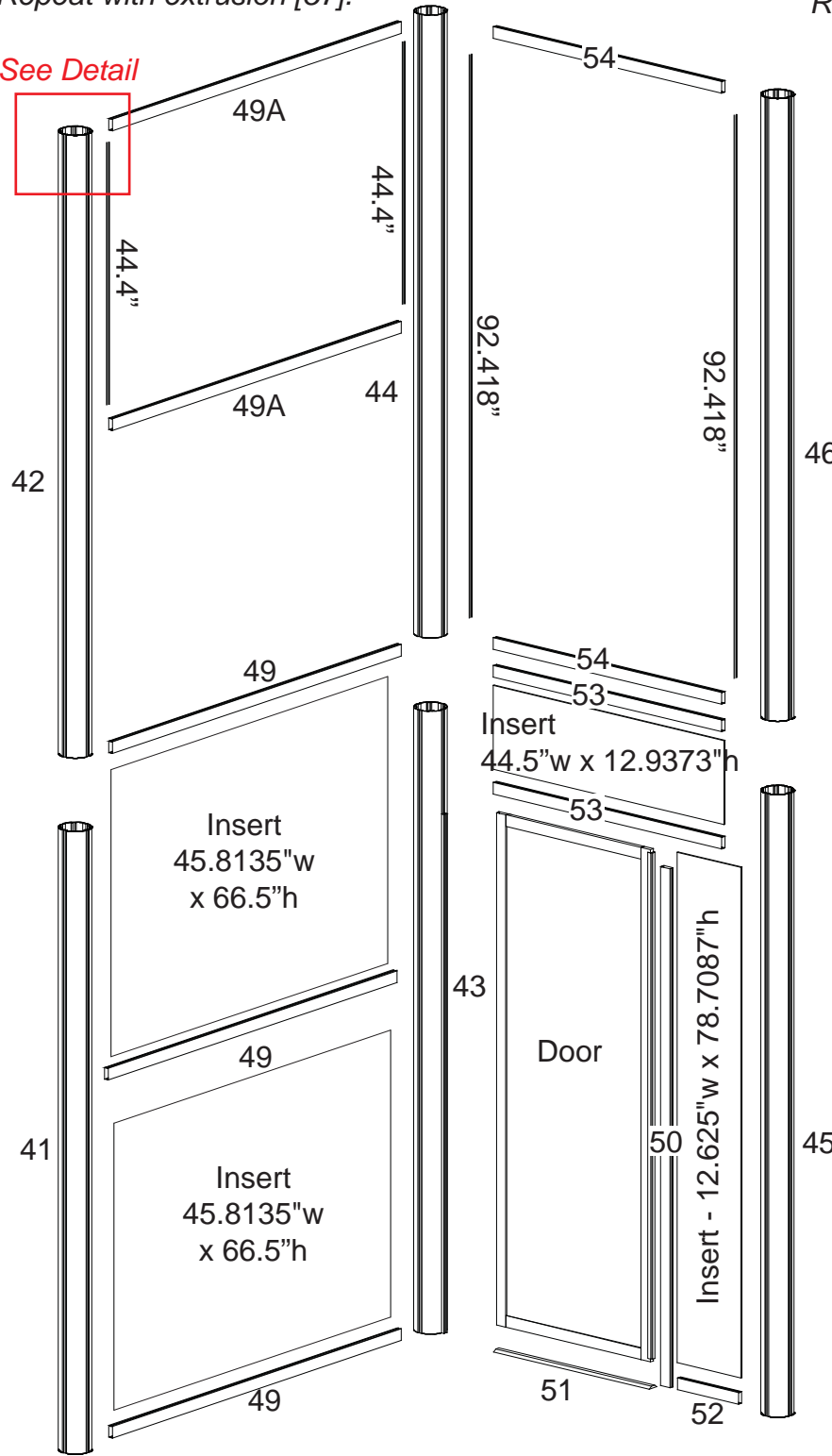
WHEN DISASSEMBLING ALUMINUM EXTRUSION, TIGHTEN ALL SETSCREWS AND LOCKS TO PREVENT LOSS DURING SHIPPING

Part Number	Qty for Step	Description
41	1	96" h Round Extrusion
42	1	96" h Round Extrusion
43	1	96" h Round Extrusion w/ S10 attached for Door
44	1	96" h Round Extrusion
45	1	96" h Round Extrusion
46	1	96" h Round Extrusion
47	1	96" h Round Extrusion
48	1	96" h Round Extrusion
49	4	66" Horizontal Extrusion
50	1	80" h Vertical Extrusion
51	1	Door Threshold
52	1	12.125" Horizontal Extrusion
53	2	44" Horizontal Extrusion
54	2	44" Horizontal Extrusion
55	2	44" Horizontal Extrusion
56	2	44" Horizontal Extrusion
57	4	66" Horizontal Extrusion

Small Graphic Installation
 Wrap graphics up and around upper extrusion [49] and down under and around mid extrusion [49] Repeat with extrusion [57].

Long Graphic Installation
 Wrap graphics up and around upper extrusion [54] and down under and around mid extrusion [54] Repeat with extrusion [56].

See Detail



Steps

- 1) Attach vertical extrusions [41 to 42, 43 to 44, 45 to 46, and 47 to 48].
- 2) Connect horizontal extrusion [52] between vertical assembly [45/46] and vertical extrusion [50].
- 3) Attach door threshold to verticals referring to detail.
- 4) Connect horizontal extrusions [53 and 54] between vertical assemblies [43/44 and 45/46] placing inserts and S12 extrusion as shown.
- 5) Connect horizontal extrusions [49] between vertical assemblies [43/44 and 41/42] placing inserts and S12 extrusion as shown.
- 6) Connect horizontal extrusions [55, 56 and 57] between vertical assemblies [47/48, 45/46 and 41/42] placing inserts and S12 extrusion as shown.


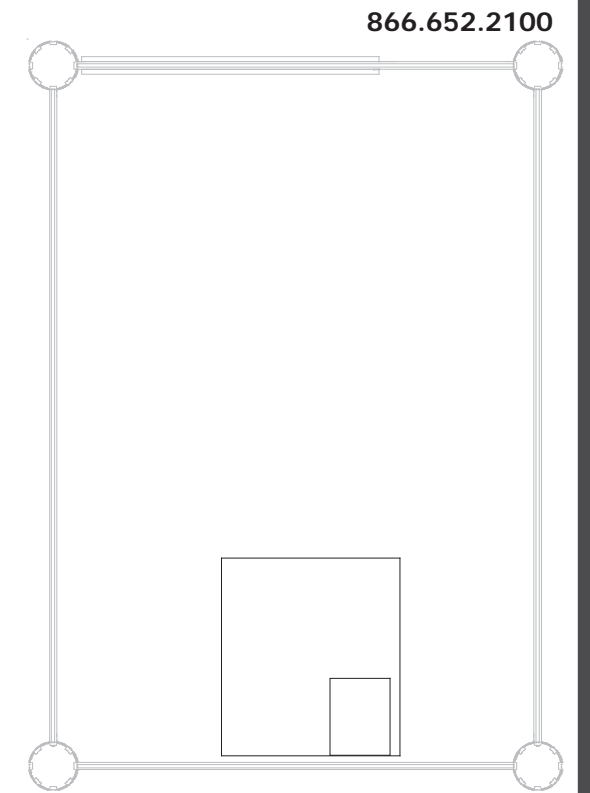
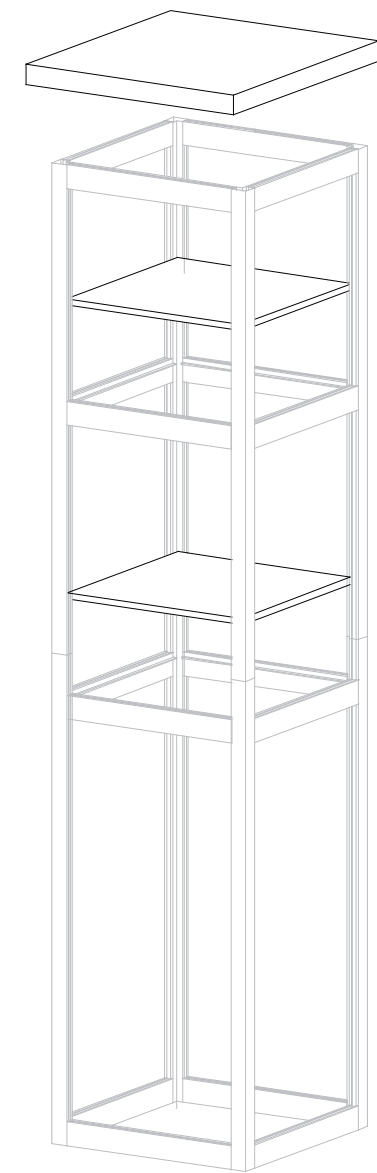
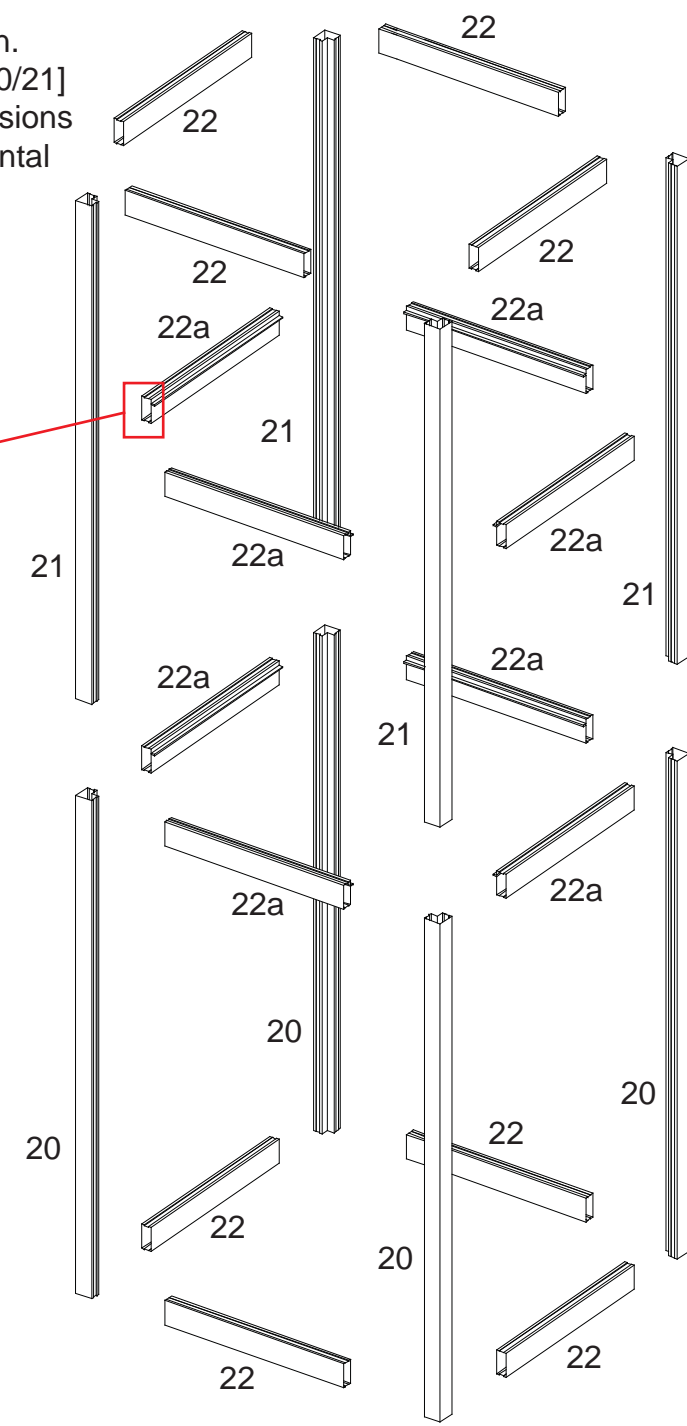
WHEN DISASSEMBLING ALUMINUM EXTRUSION, TIGHTEN ALL SETSCREWS AND LOCKS TO PREVENT LOSS DURING SHIPPING

Item	Quantity	Description
20	4	37.125" h Vertical Extrusion
21	4	37.125" h Vertical Extrusion
22	8	14.25" w Horizontal Extrusion
22a	8	14.25" w Horizontal Extrusion w/ Lip for Shelf

Steps:

- 1) Connect vertical extrusions [21] to lower vertical extrusions [20] as shown.
- 2) Attach horizontal extrusions [22 and 22a] between vertical assemblies [20/21] placing extrusions [22] flush with bottom of vertical [20] and placing extrusions [22a] approximately 19.708" down from top of vertical to bottom of horizontal extrusions.
- 3) Place shelves and top onto assembled projector stand as shown.

Extrusions 22a have a lip for the shelf to rest upon.

866.652.2100

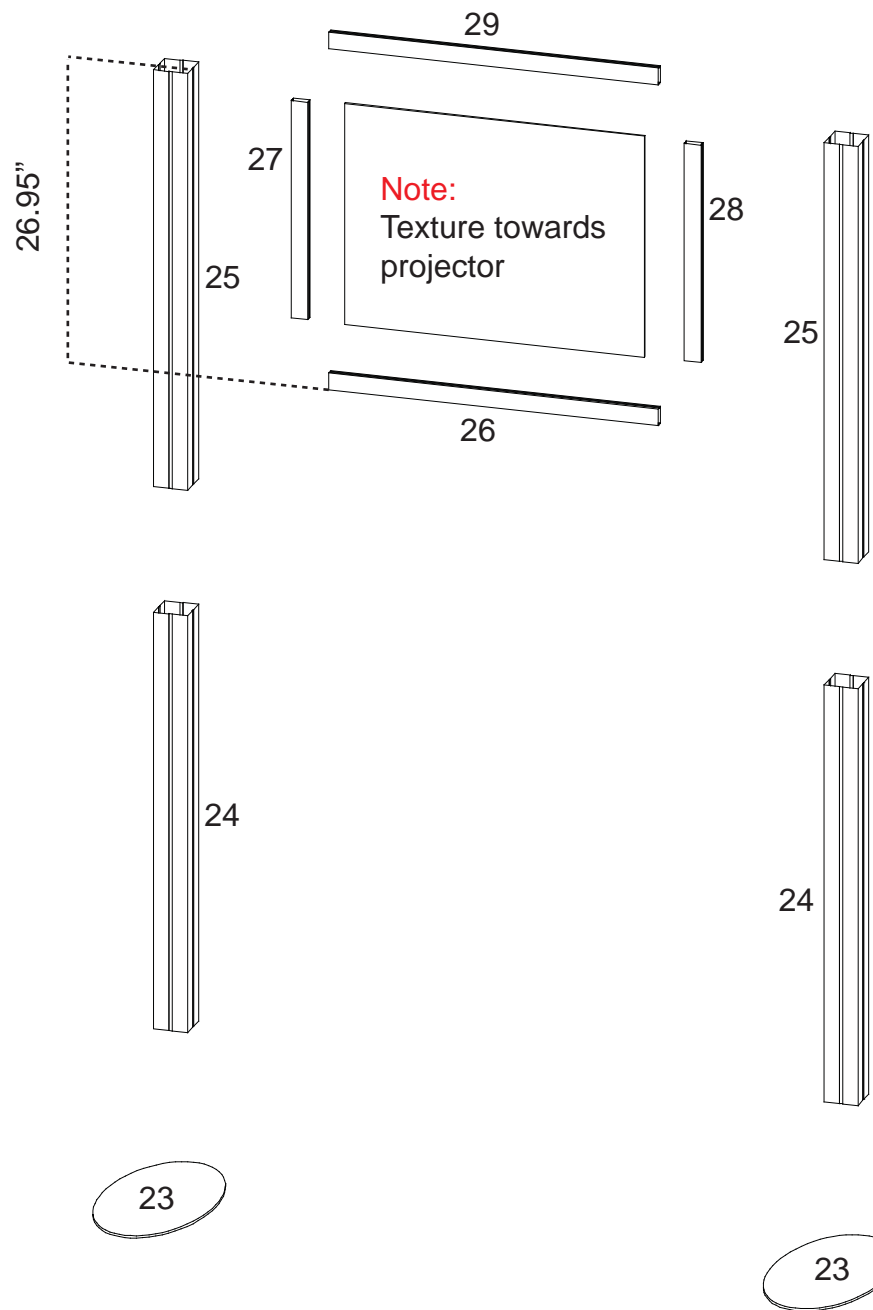
WHEN DISASSEMBLING ALUMINUM EXTRUSION, TIGHTEN ALL SETSCREWS AND LOCKS TO PREVENT LOSS DURING SHIPPING

866.652.2100

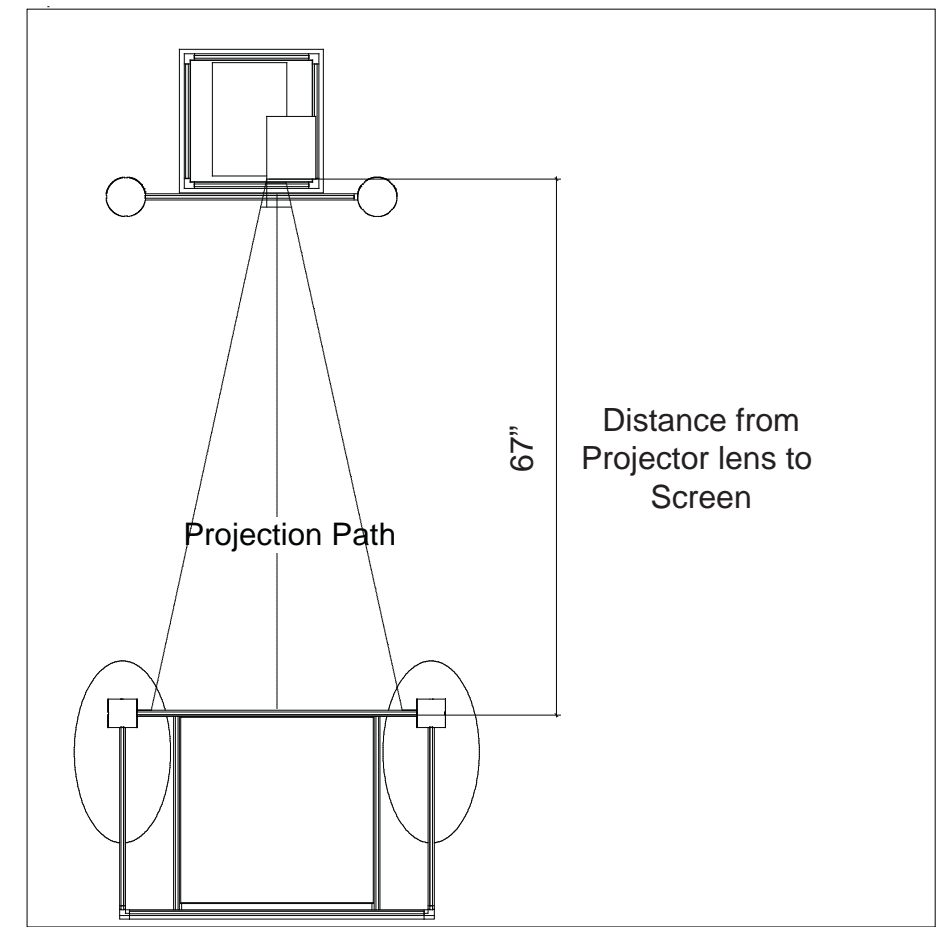
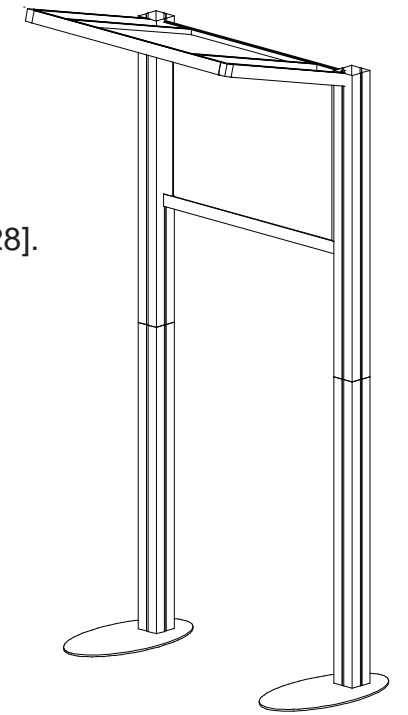
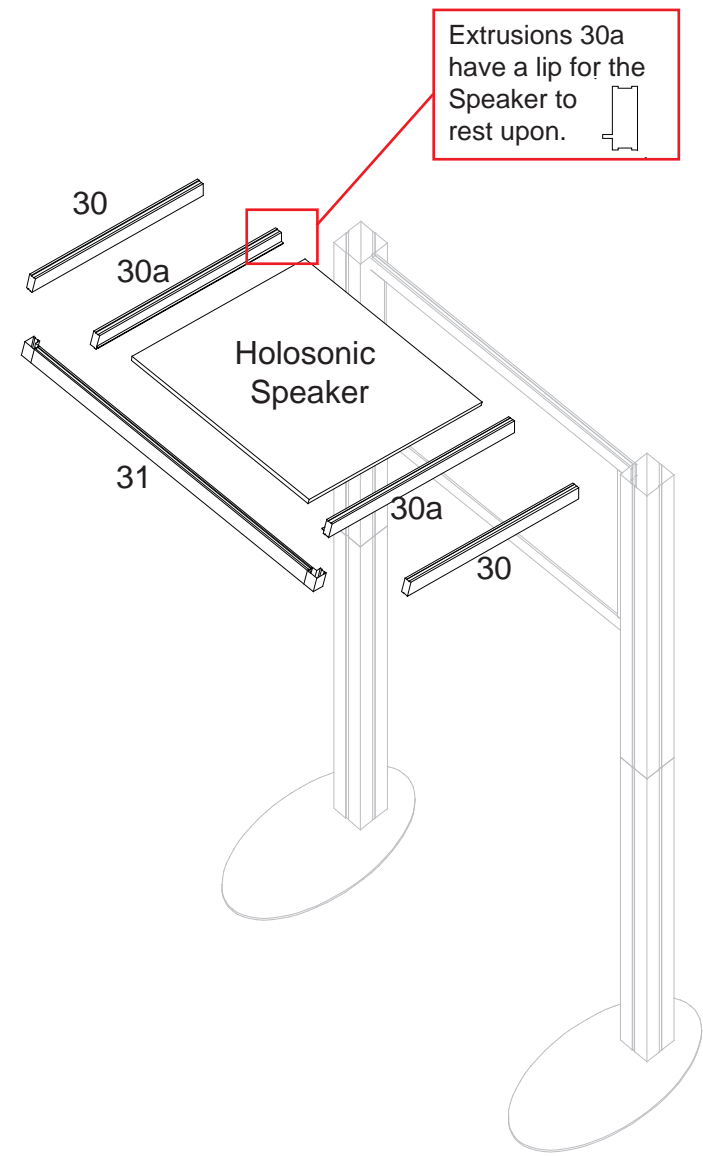
Item	Quantity	Description
23	2	Oval base Plate
24	2	44.8326" h Vertical Extrusion
25	2	44.8326" h Vertical Extrusion
26	1	34.894" w Horizontal Extrusion
27	1	23.3625" w Horizontal Extrusion
28	1	23.3625" w Horizontal Extrusion
29	1	34.894" Horizontal Extrusion
30	2	25.5" w Horizontal Extrusion
30a	2	23.52" w Horizontal Extrusion
31	1	36.685" w Horizontal w/ Connectors attached

Steps:

- 1) Connect vertical extrusions [25] to lower vertical extrusions [24].
- 2) Attach assembled verticals [24/25] to oval base plates [23].
- 3) Connect horizontal extrusion [26] between vertical extrusions [24/25] approximately 26.95" down from top of vertical to bottom of horizontal piece.
- 4) Connect vertical extrusions [27 and 28] to edges of horizontal extrusion [26] as shown, place insert.
- 5) Connect upper horizontal extrusion [29] between vertical extrusions [24/25] and atop vertical extrusions [27 and 28].
- 6) Connect extrusions [30] to vertical extrusions [25] flush with top, connect extrusions [30a] to pill slots located on horizontal extrusion [29].
- 7) Set Holosonic Speaker into place atop extrusions [30a] as shown.
- 8) Attach horizontal extrusion with connectors attached to ends of extrusion [30 and 30a].



Note:
Texture towards projector



WHEN DISASSEMBLING ALUMINUM EXTRUSION, TIGHTEN ALL SETSCREWS AND LOCKS TO PREVENT LOSS DURING SHIPPING

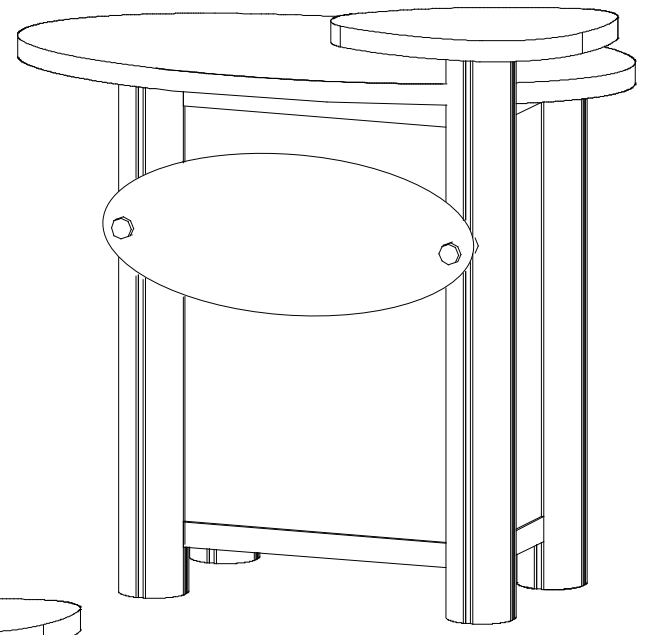
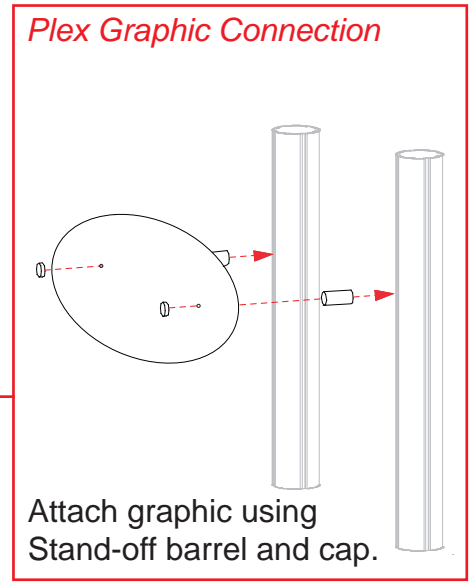
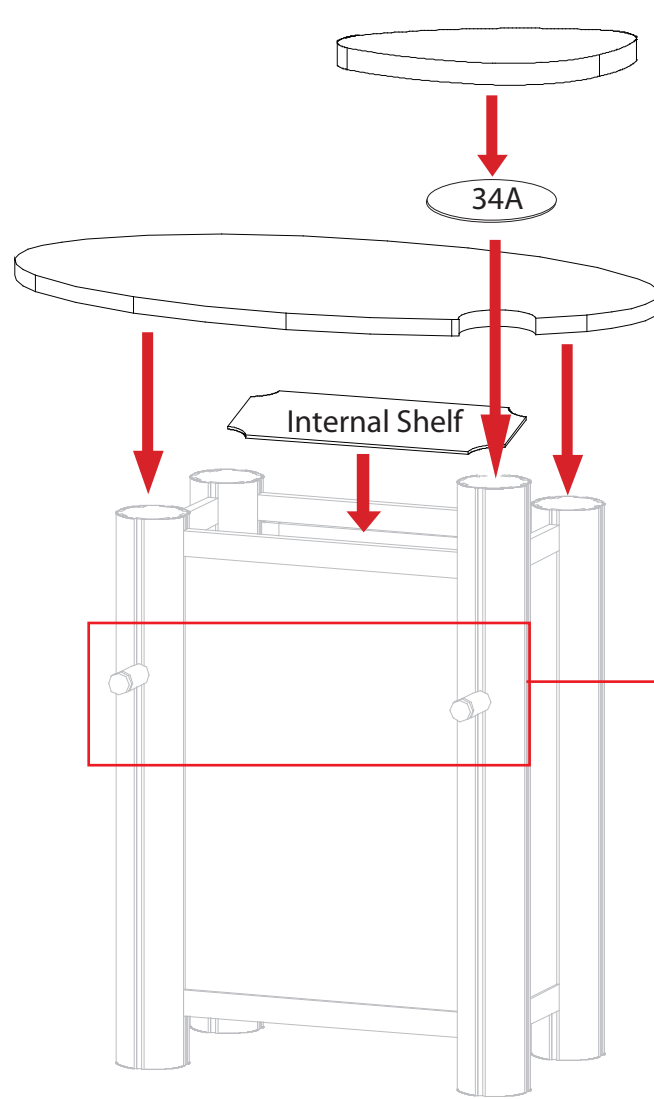
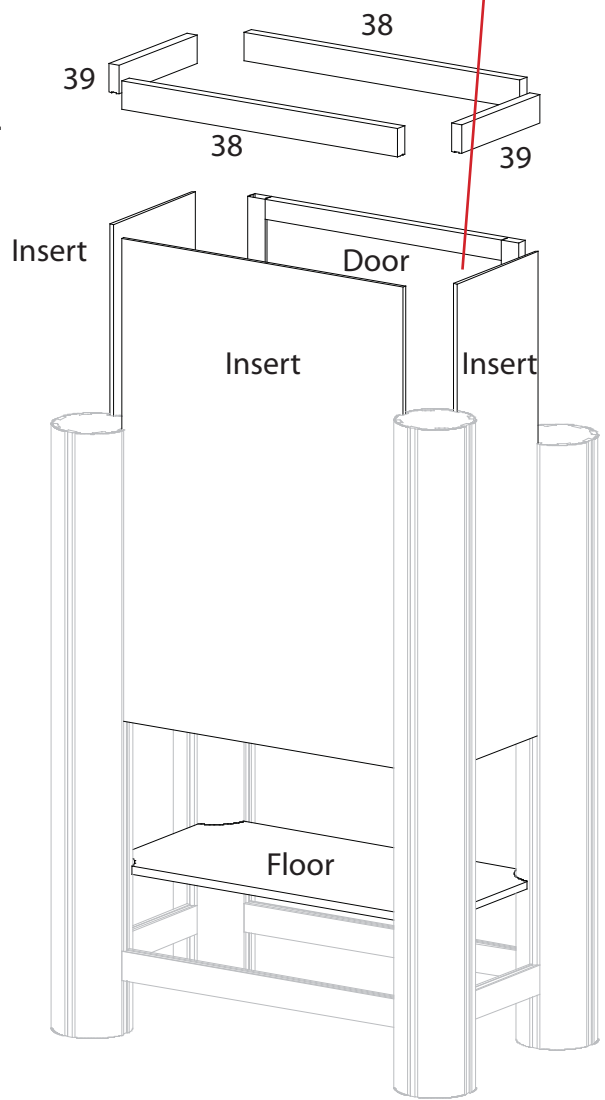
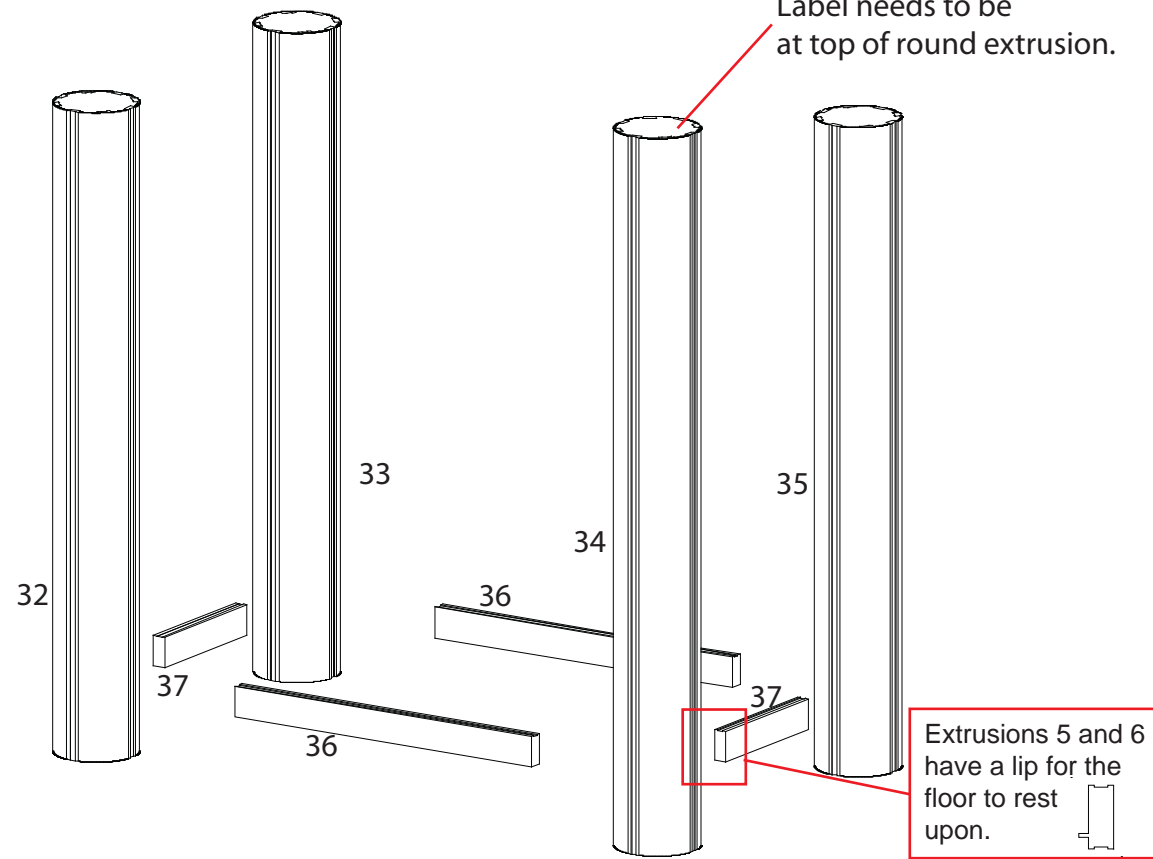
866.652.2100

Item	Quantity	Description
32	1	38" h Vertical Extrusion
33	1	38" h Vertical Extrusion
34	1	42" h Vertical Extrusion
34A	1	Plate for Counter Connection
35	1	38" h Vertical Extrusion
36	2	20" w Horizontal Extrusion
37	2	8.5" w Horizontal Extrusion
38	2	20" w Horizontal Extrusion
39	2	8.5" w Horizontal Extrusion
40	4	Internal Shelf Support

Steps:

- 1) Connect horizontal extrusions [36 and 37] between vertical extrusions [32, 33, 34 and 35].
- 2) Set floor in place atop lip of horizontal extrusions.
- 3) Place doors and inserts in place as shown.
- 4) Connect horizontal extrusions [38 and 39] between vertical extrusions [32, 33, 34 and 35] and atop inserts and door.
- 5) Velcro shelf supports to inside of pedestal, then set internal shelf atop supports.
- 6) Place counter atop assembled pedestal, attach [34A] to extrusion [34] then connect smaller counter to [34A].

NOTE: TOP SIDE Label needs to be at top of round extrusion.



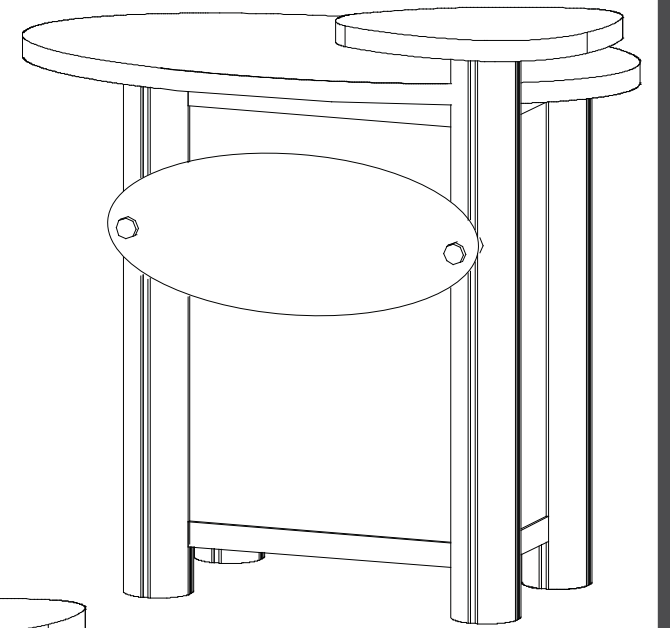
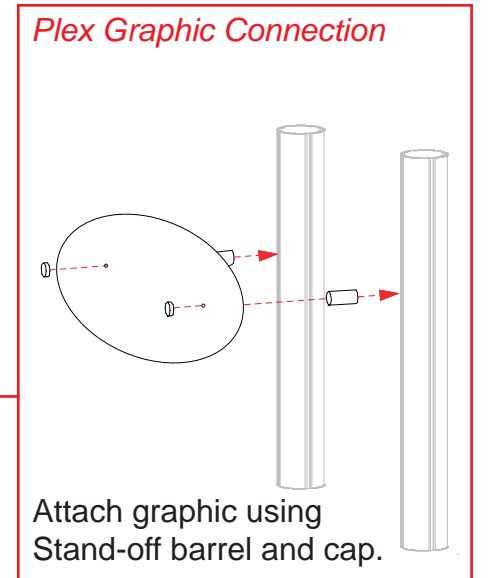
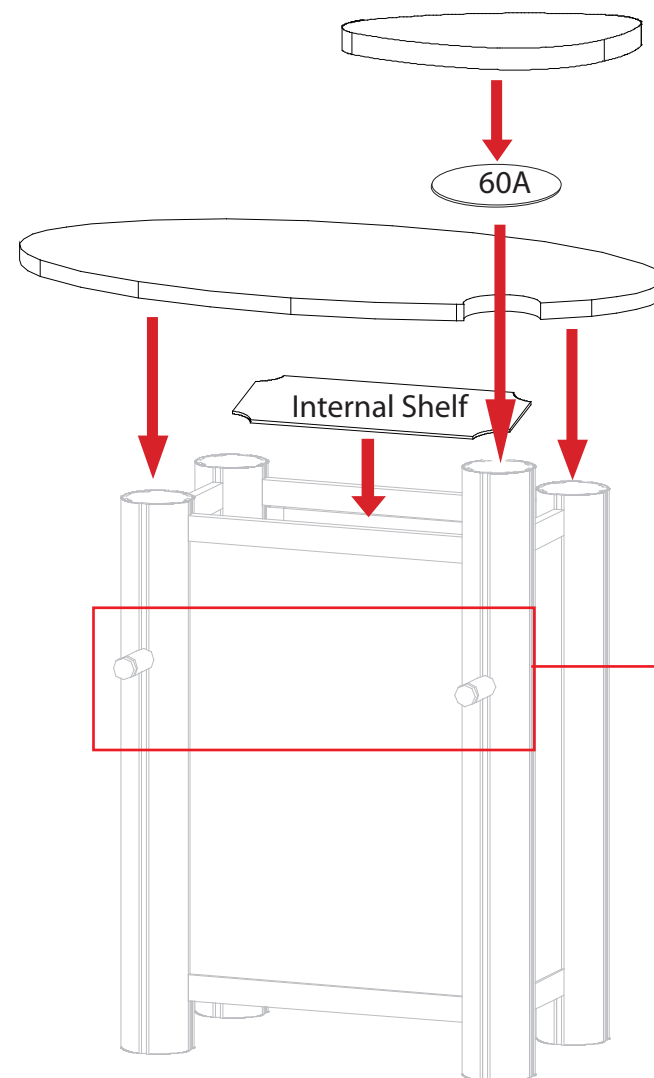
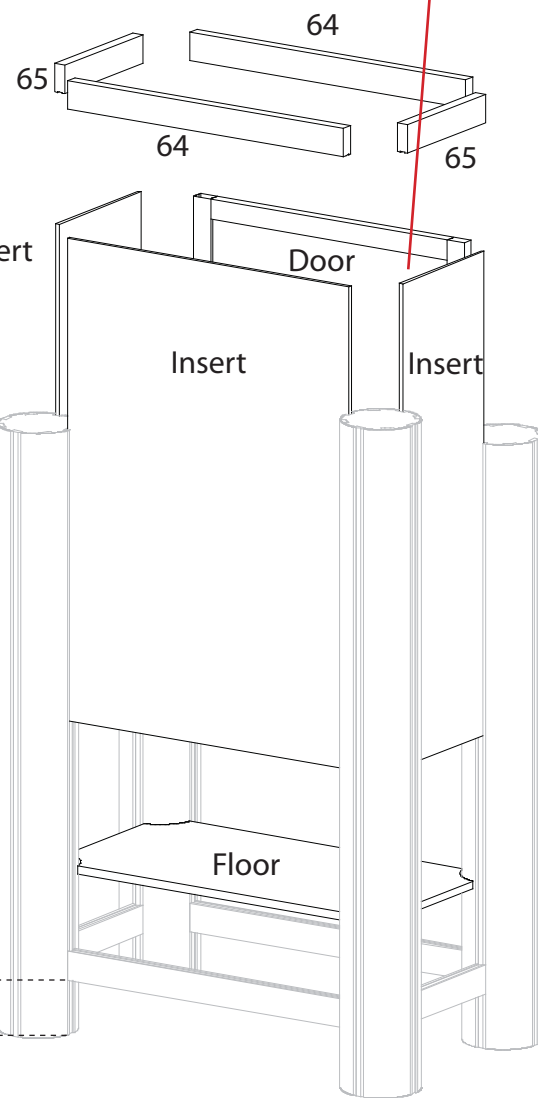
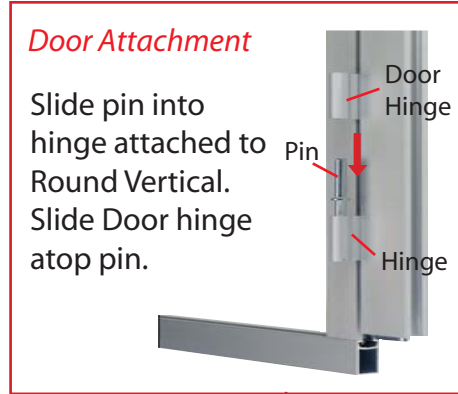
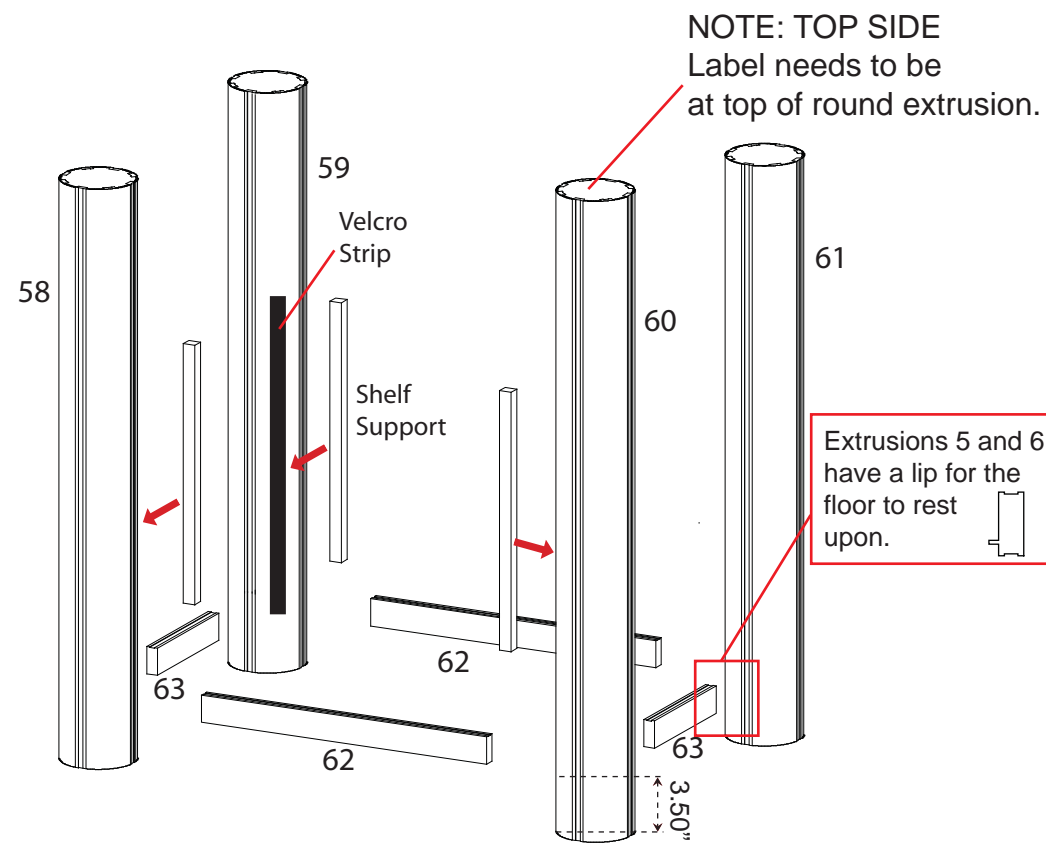
WHEN DISASSEMBLING ALUMINUM EXTRUSION, TIGHTEN ALL SETSCREWS AND LOCKS TO PREVENT LOSS DURING SHIPPING

866.652.2100

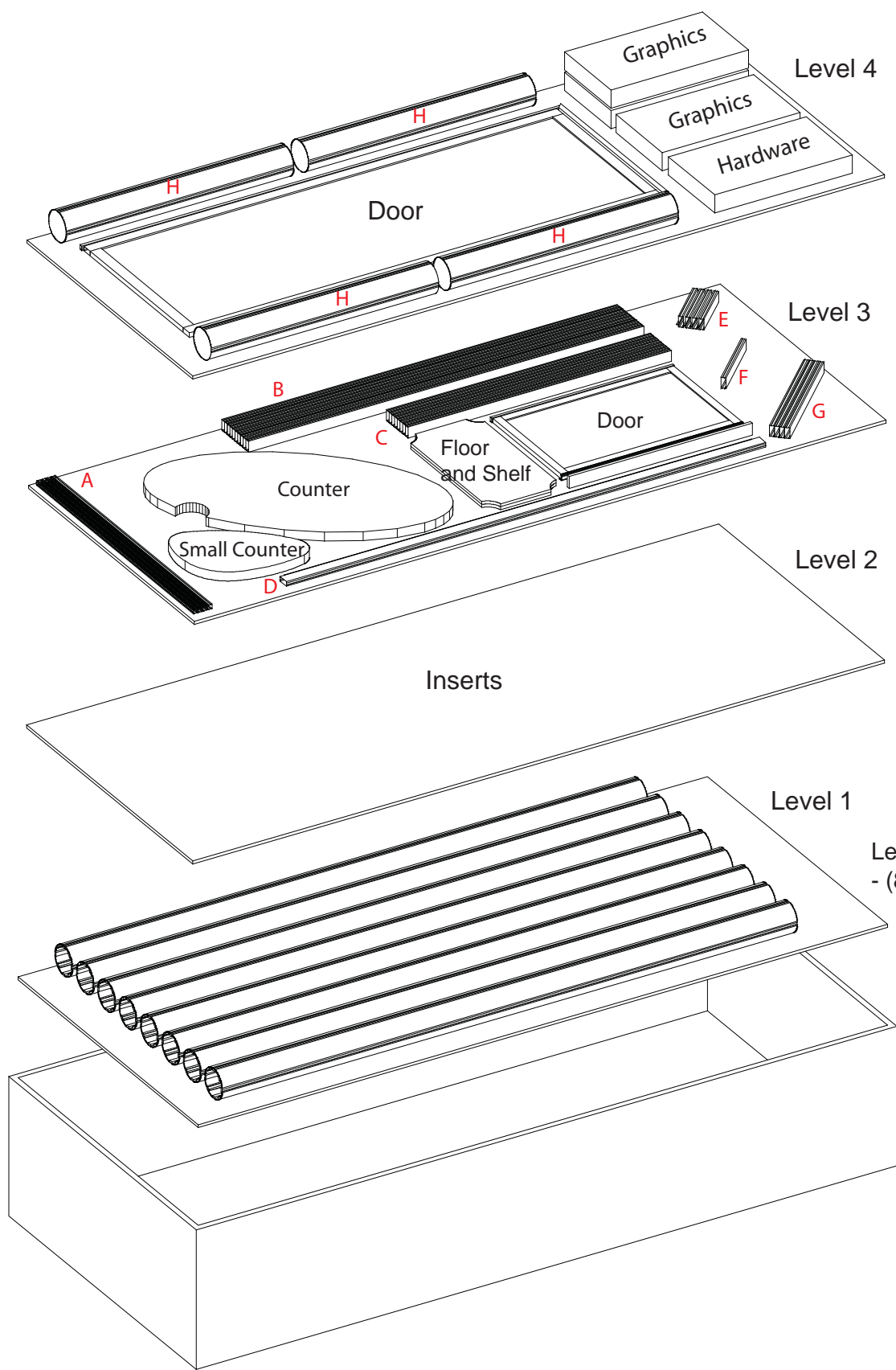
Item	Quantity	Description
58	1	38"h Vertical Extrusion
59	1	38"h Vertical Extrusion
60	1	42"h Vertical Extrusion
60A	1	Plate for Counter Connection
61	1	38"h Vertical Extrusion
62	2	20"w Horizontal Extrusion
63	2	8.5"w Horizontal Extrusion
64	2	20"w Horizontal Extrusion
65	2	8.5"w Horizontal Extrusion
	4	Internal Shelf Support

Steps:

- 1) Connect horizontal extrusions [62 and 63] between vertical extrusions [58, 59, 60 and 61] at approximately 3.5" up from floor to bottom of metal.
- 2) Set floor in place atop lip of horizontal extrusions.
- 3) Place doors and inserts in place as shown.
- 4) Connect horizontal extrusions [64 and 65] between vertical extrusions [58, 59, 60 and 61] and atop inserts and door.
- 5) Velcro shelf supports to inside of pedestal, then set internal shelf atop supports.
- 6) Place counter atop assembled pedestal, attach [60A] to extrusion [60] then connect smaller counter to [60A].



WHEN DISASSEMBLING ALUMINUM EXTRUSION, TIGHTEN ALL SETSCREWS AND LOCKS TO PREVENT LOSS DURING SHIPPING



Level 3: Part List
 A - (4) 44.4" S12
 B - (10) 65" Extrusion
 C - (8) 44" Extrusion
 D - (1) 80" Extrusion w/ Door Stop
 E - (4) 8.5" Pedestal Extrusion
 F - (1) 12.125" Extrusion
 G - (4) 8.5" Pedestal Extrusion

Level 1: Part List
 - (8) 96" h Round Extrusion



Level 3



Level 1



Level 4



Level 2

WHEN DISASSEMBLING ALUMINUM EXTRUSION, TIGHTEN ALL SETSCREWS AND LOCKS TO PREVENT LOSS DURING SHIPPING