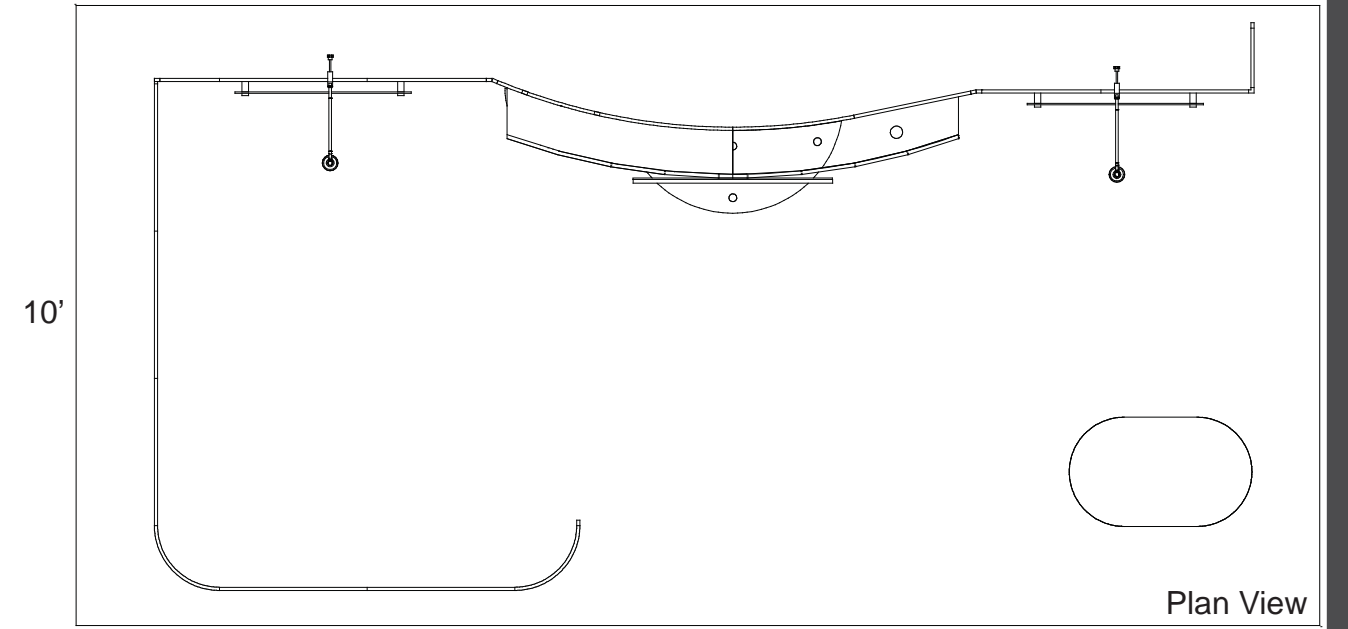
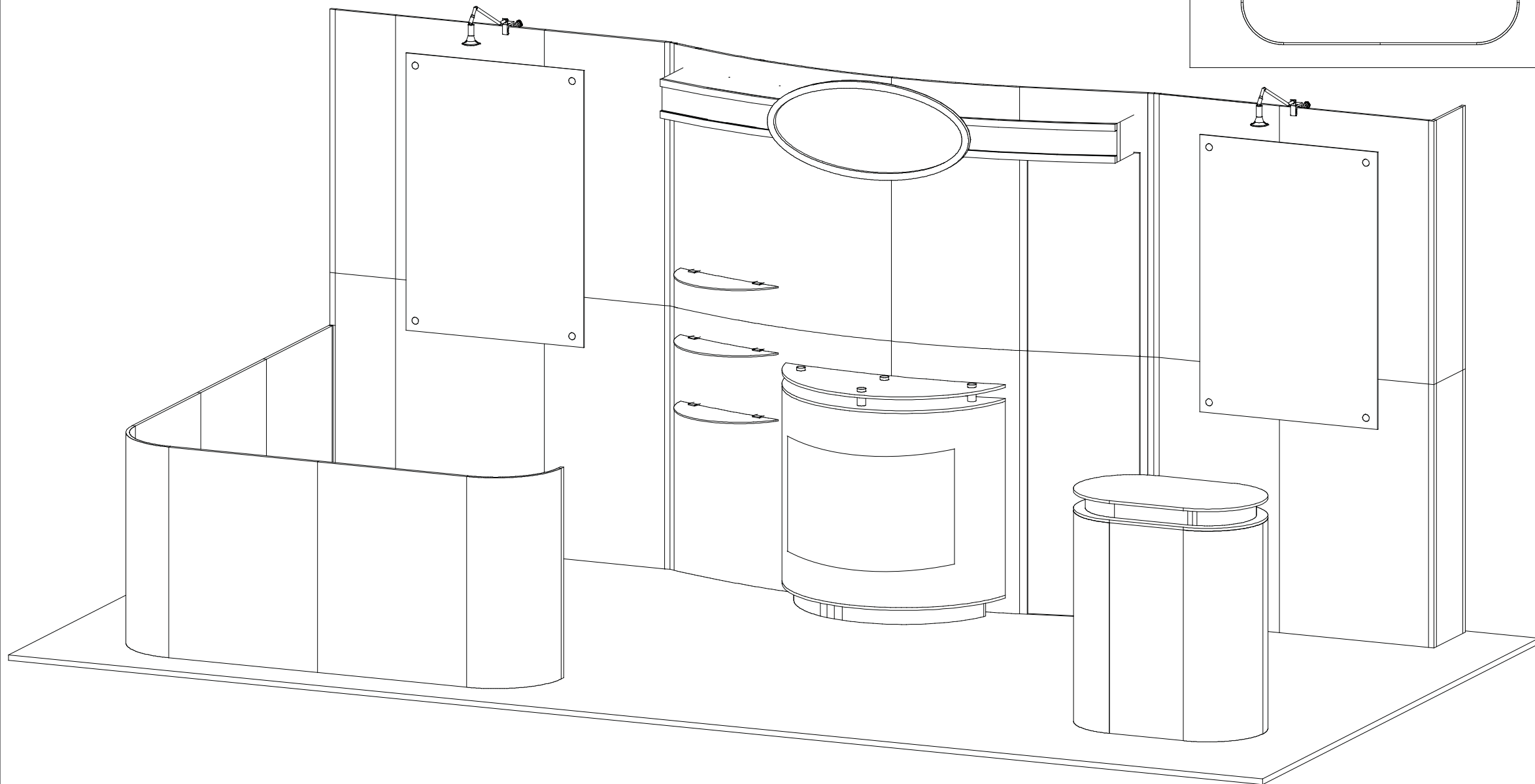


# euro It | HYBRIDS

866.652.2100



Plan View

# euro lt | HYBRIDS

## Euro LT Hybrids General Setup Instructions

### Using Your Setup Instructions

The Euro LT Hybrids Setup Instructions are created specifically for your configuration. They are laid out sequentially in levels, including exploded views, and a logical series of detailed steps to assemble the main structure and components. We encourage you to study the instructions **before** attempting to assemble your exhibit.

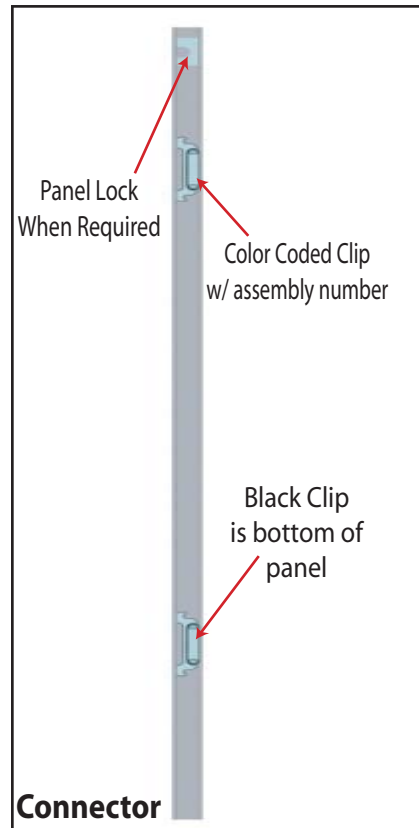
### Cleaning and Packing Your Display

- 1) When cleaning laminate countertops or panels use mild cleansers and a soft material such as cotton.
- 2) Keep all display components away from extreme heat and long exposure to sunlight to avoid warping and fading.
- 3) Retain all packing material. It will make re-packing much easier and will reduce the likelihood of shipping damage.

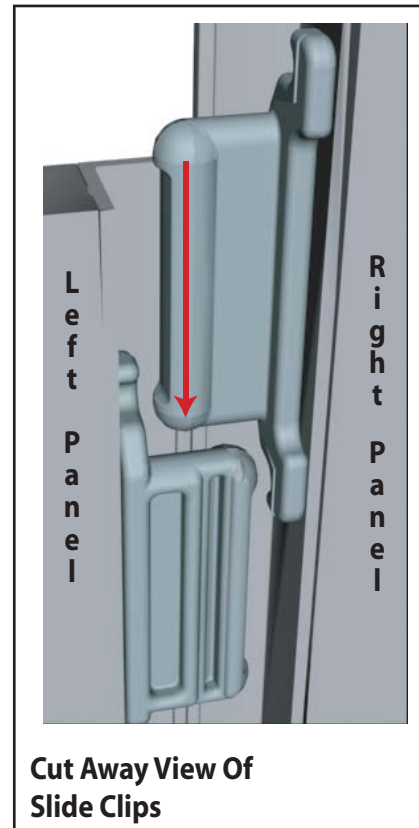
Level 1 = Blue  
 Level 2 = Red  
 Level 3 = Green  
 Level 4 = Black

#### Color Code

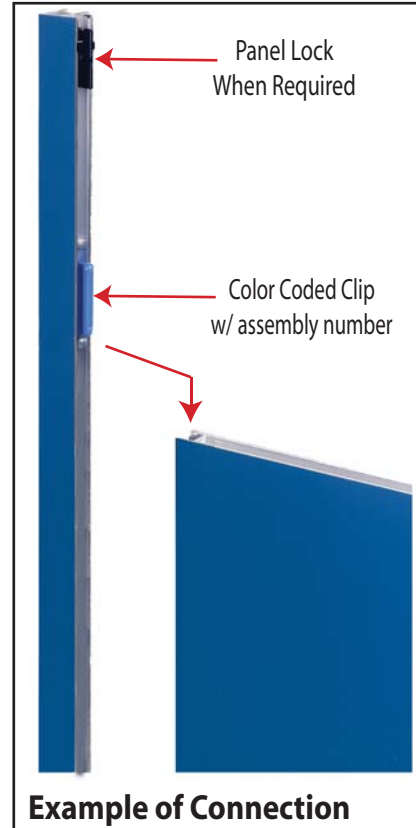
The top clip is color coded to distinguish the level. The color coded clip also contains the numbered label



Each component has 2 clips, the lower clip is ALWAYS black..



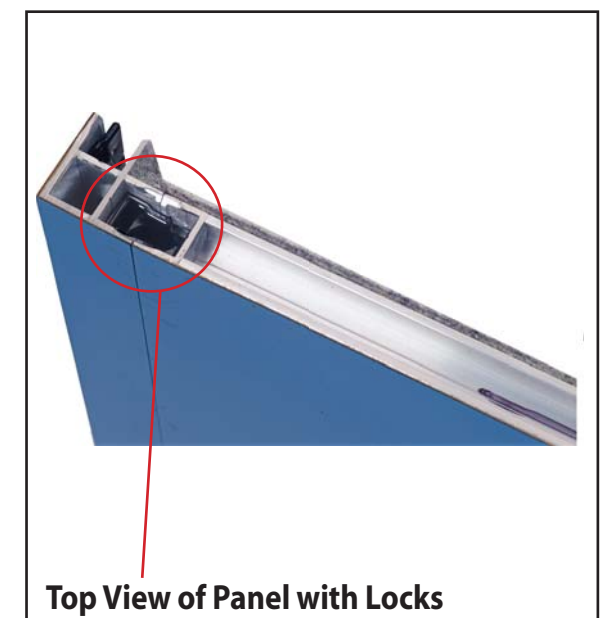
Components connect together by aligning them and sliding downward connecting clips together.



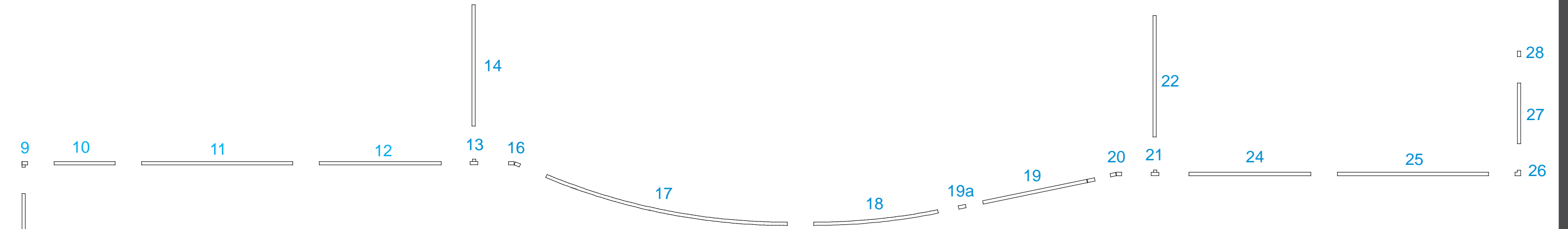
Configurations are assembled from left to right, usually starting with #1 and following the numbered sequence.



The first level of components contains panel locks that are located at the top of the panel for extra stability and a seamless connection. When disassembling panels, twist top connection slightly and lift right panel upward.



866.652.2100



8

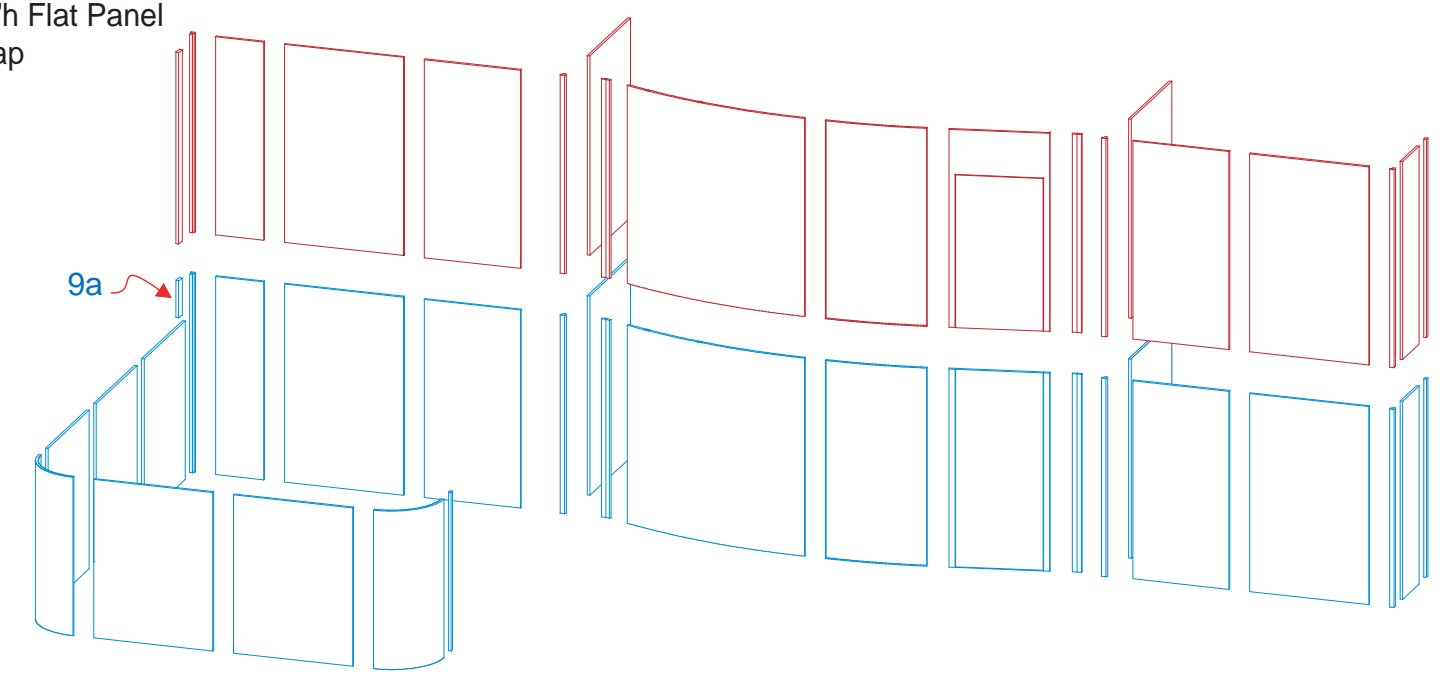
7

6

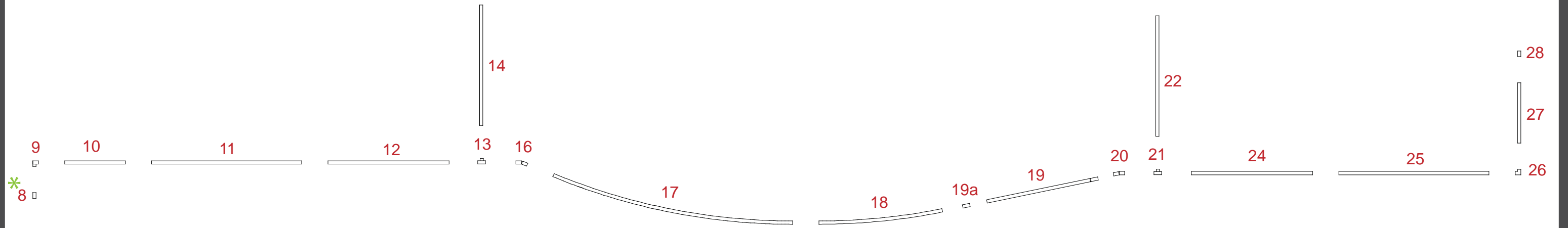
Item Number	Description
1	38" h End Cap
2	11.5" r x 38" h Flat Panel
3	28.5" w x 38" h Flat Panel
4	28.5" w x 38" h Flat Panel
5	11.5" r x 38" h Flat Panel
6	28.5" w x 38" h Flat Panel
7	23" w x 38" h Flat Panel
8	28.5" w x 38" h Flat Panel
9	47.5" h 90° Connector
9a	9.5" h End Cap
10	11.5" w x 47.5" h Flat Panel
11	28.5" w x 47.5" h Flat Panel
12	23" w x 47.5" h Flat Panel
13	47.5" h T Connector
14	23" w x 47.5" h Flat Panel

Item Number	Description
16	47.5" h Flex Connector
17	10' r x 47.5" h Curve Panel
18	10' r x 47.5" h Small Curve Panel
19a	Door Stop
19	Lower Section Door
20	47.5" h Flex Connector
21	47.5" h T Connector
22	23" w x 47.5" h Flat Panel
24	23" w x 47.5" h Flat Panel
25	28.5" w x 47.5" h Flat Panel
26	47.5" h 90° Connector
27	11.5" w x 47.5" h Flat Panel
28	47.5" h End Cap

- Steps:
- 1) Assemble by starting at panel #1\* and continue in numerical order.
  - 2) Attach end cap #9a to 90° connector #9 and atop panel #8.

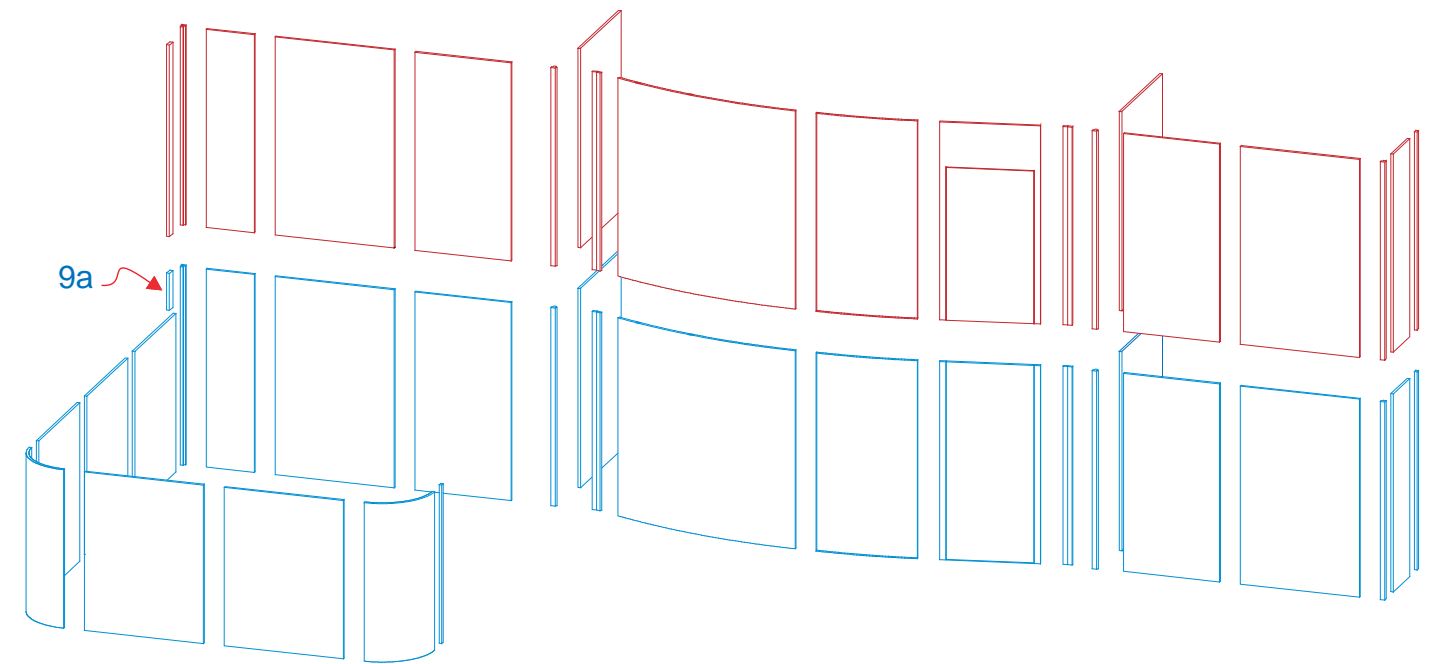


866.652.2100



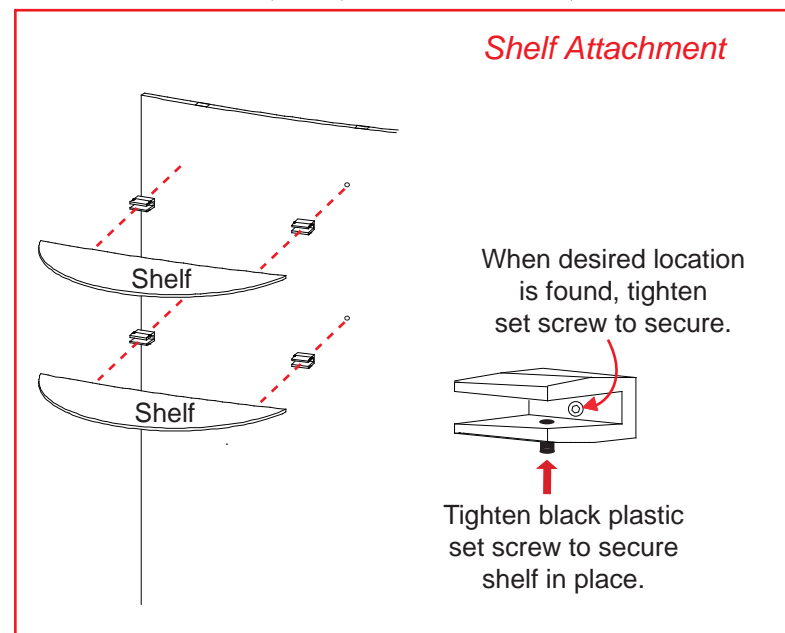
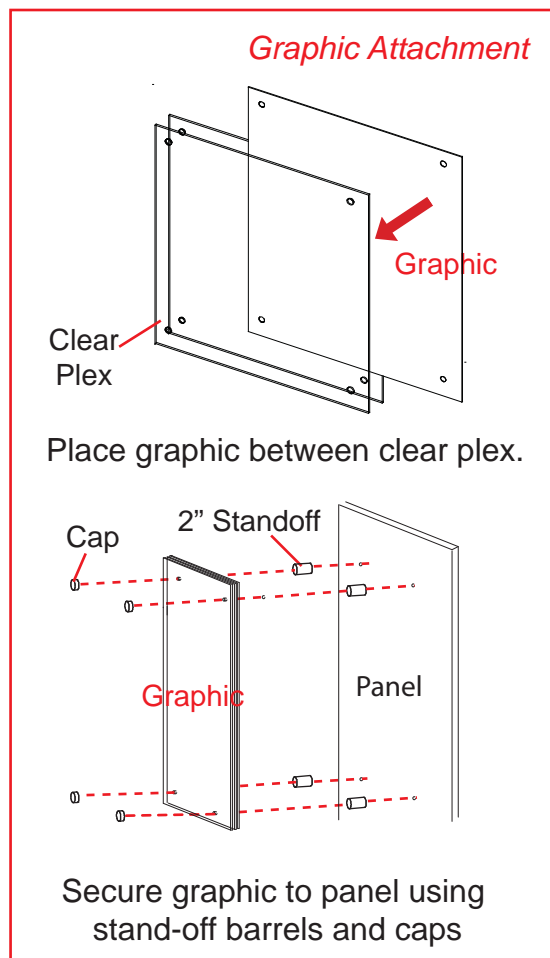
Item Number	Description	Item Number	Description
8	47.5" h End Cap	18	10' r x 47.5" h Small Curve Panel
9	38" h 90° Connector	19	Upper Section Door
10	11.5" w x 47.5" h Flat Panel	20	47.5" h Flex Connector
11	28.5" w x 47.5" h Flat Panel	21	47.5" h T Connector
12	23" w x 47.5" h Flat Panel	22	23" w x 47.5" h Flat Panel
13	47.5" h T Connector	24	23" w x 47.5" h Flat Panel
14	23" w x 47.5" h Flat Panel	25	28.5" w x 47.5" h Flat Panel
16	47.5" h Flex Connector	26	47.5" h 90° Connector
17	10' r x 47.5" h Curve Panel	27	11.5" w x 47.5" h Flat Panel
		28	47.5" h End Cap

Steps:  
 1) Assemble by starting at panel #8\* and continue in numerical order.



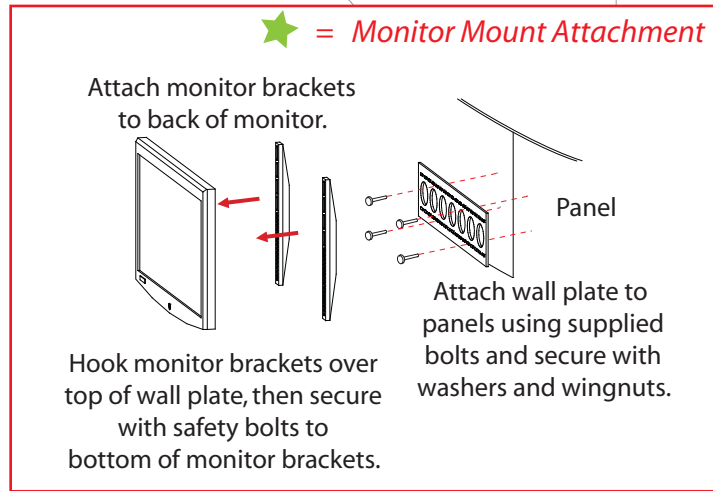
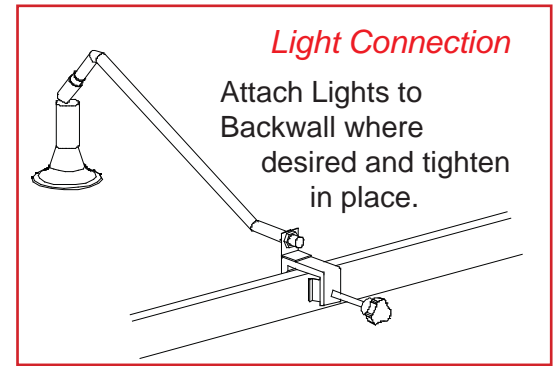
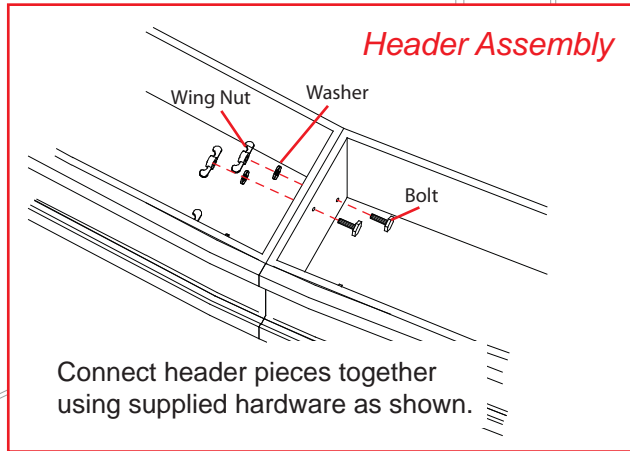
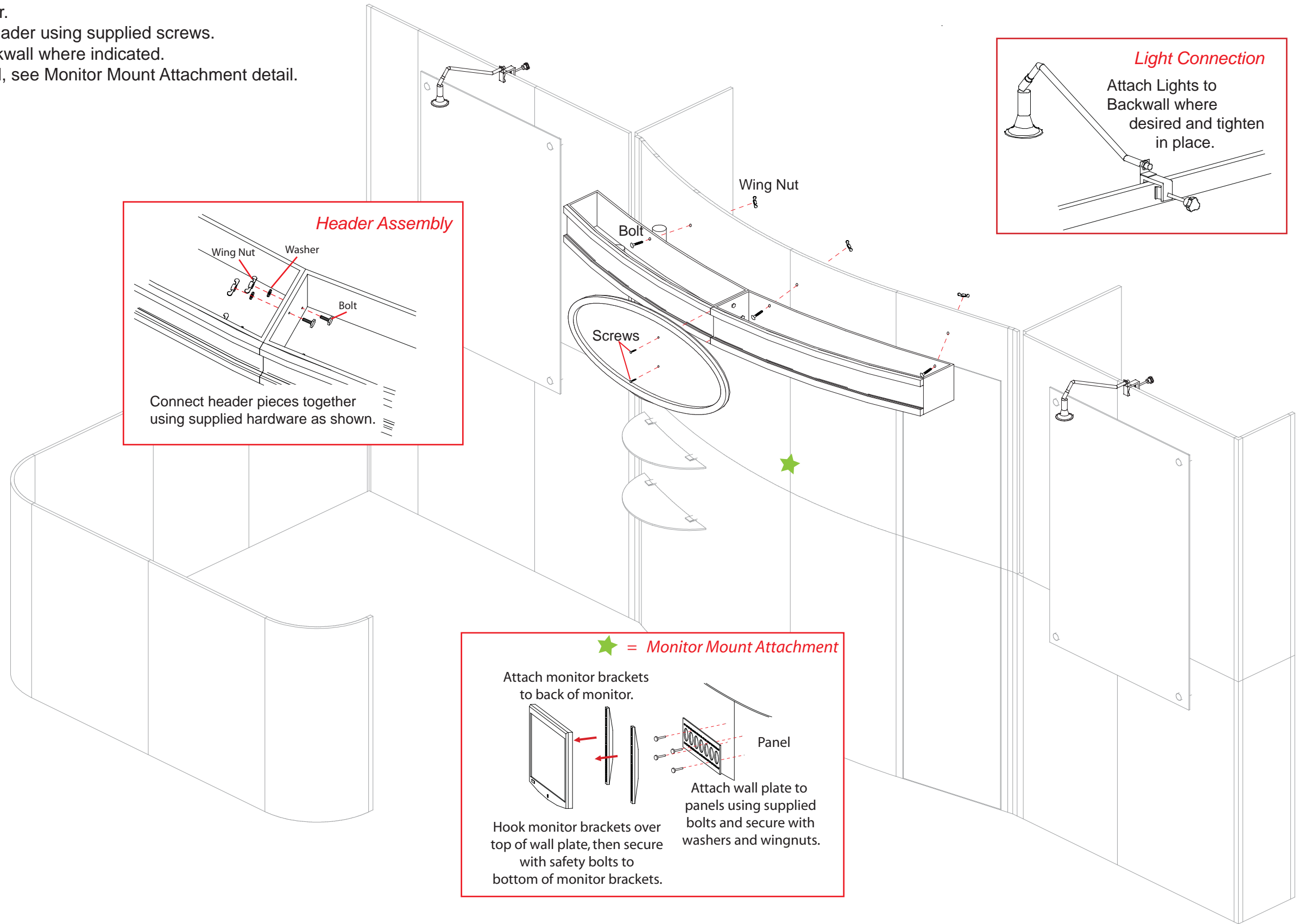
Steps:

- 1) Attach graphics to assembled backwall, see Graphic Attachment detail.
- 2) Attach shelves to assembled backwall, see Shelf Attachment.

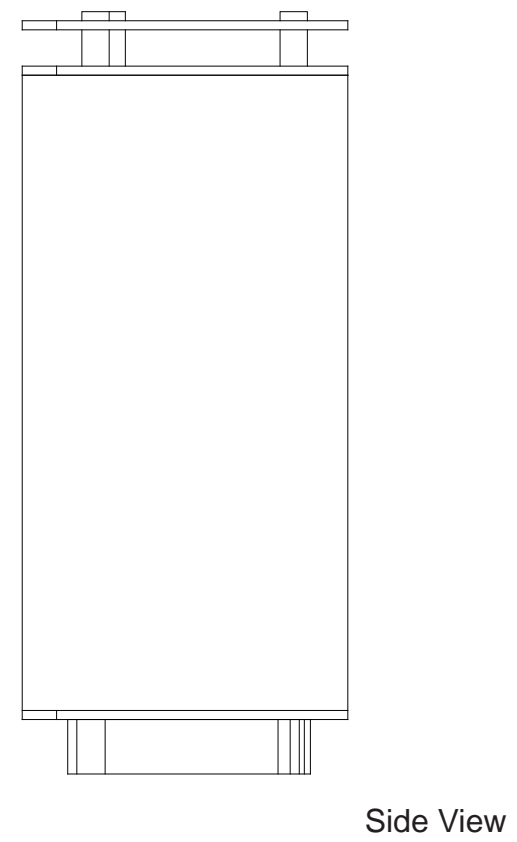
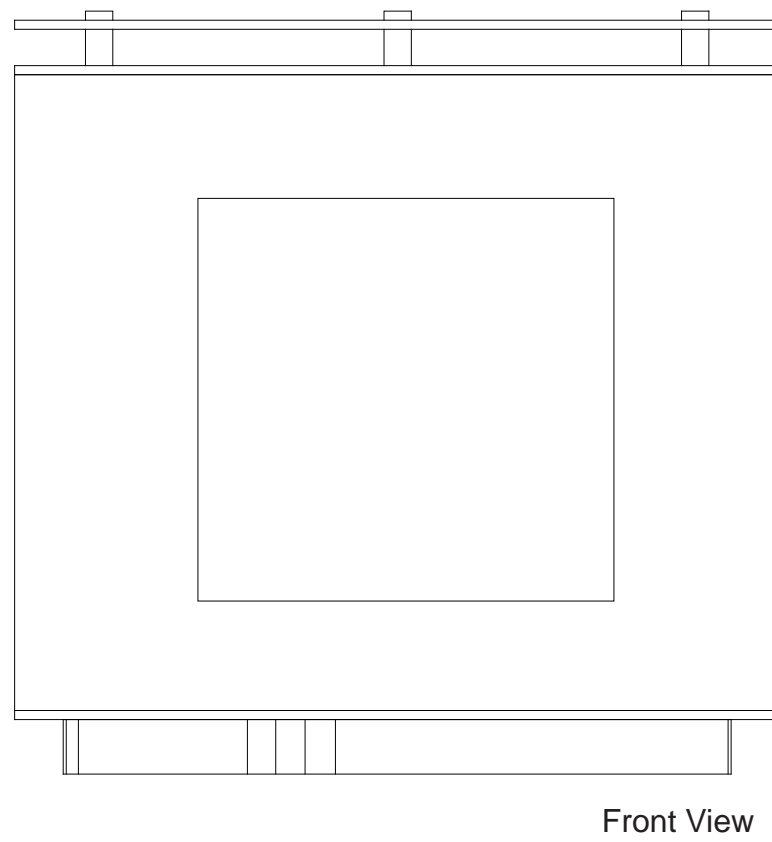
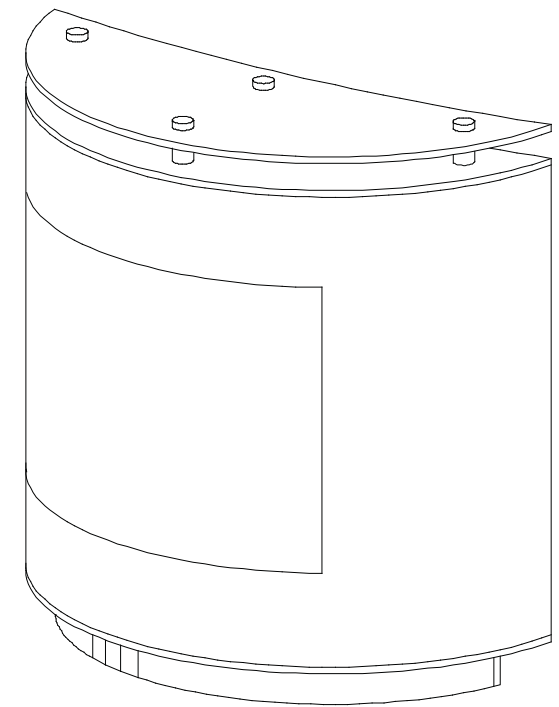
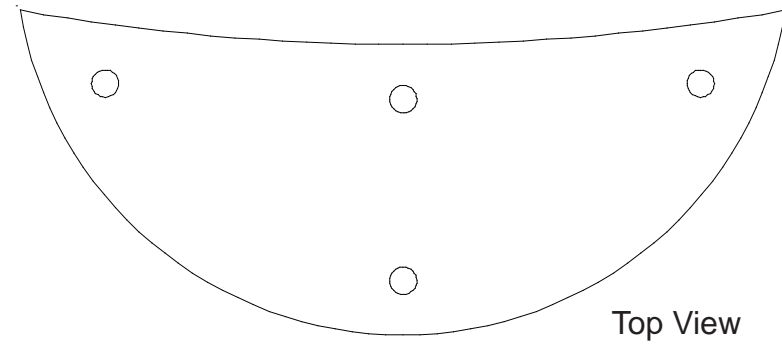


Steps:

- 1) Assemble header pieces together.
- 2) Attach oval sign to assembled header using supplied screws.
- 3) Attach assembled header to backwall where indicated.
- 4) Attach monitor mount to backwall, see Monitor Mount Attachment detail.
- 5) Attach lights where desired.



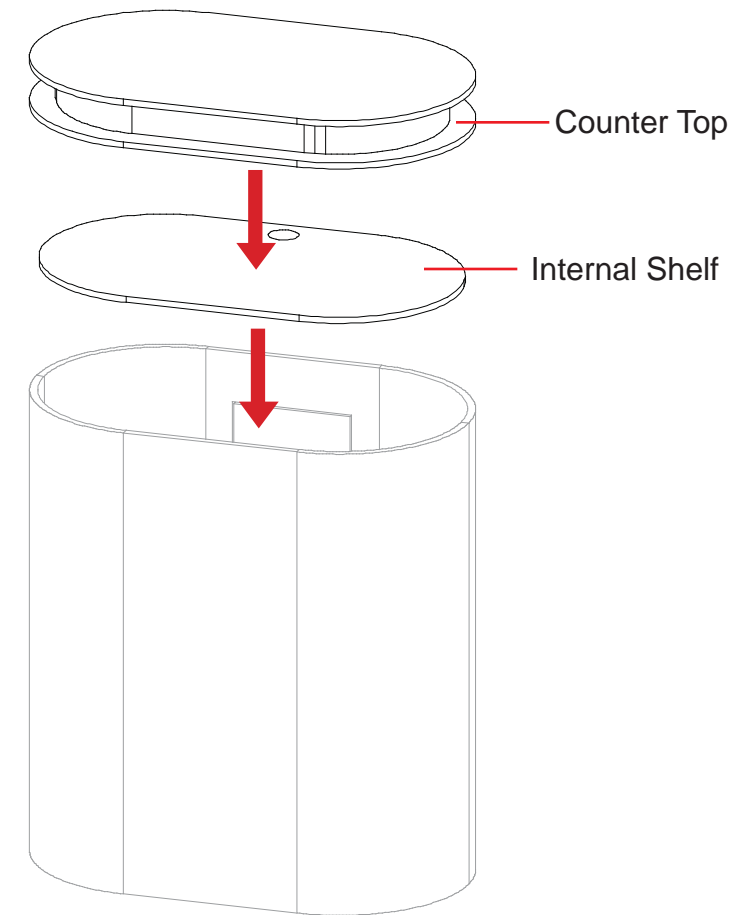
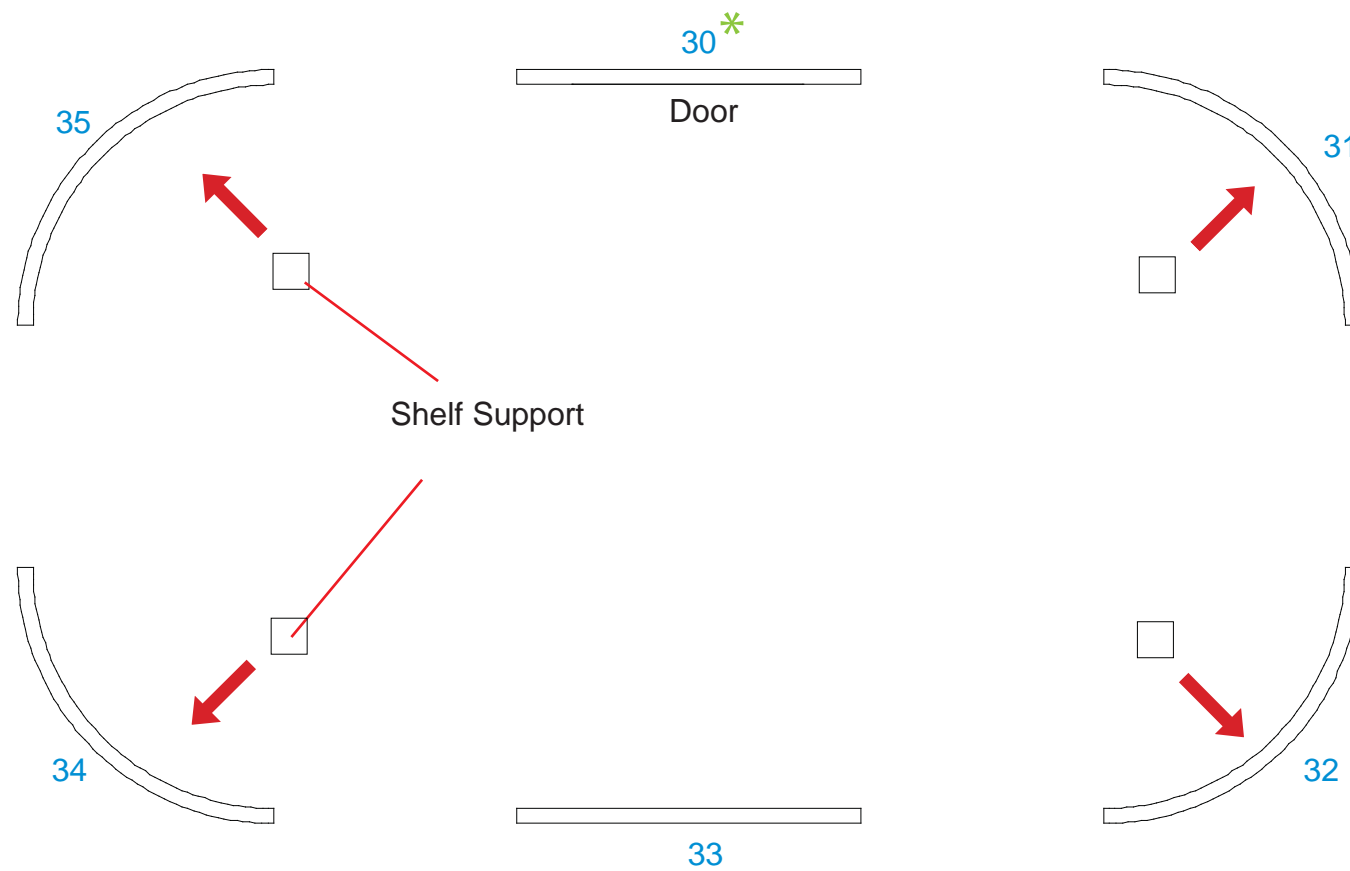
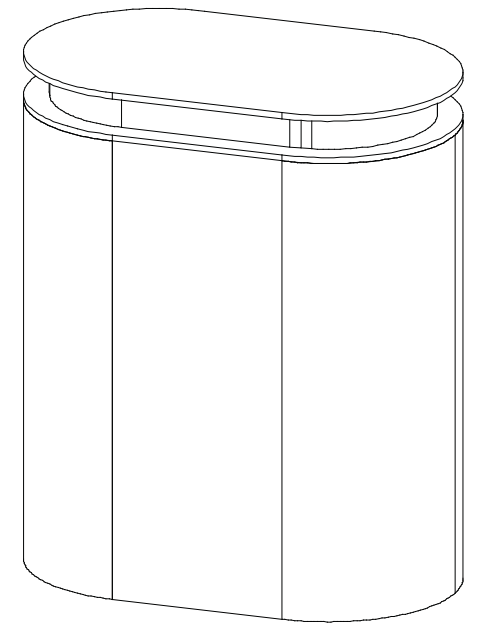
866.652.2100

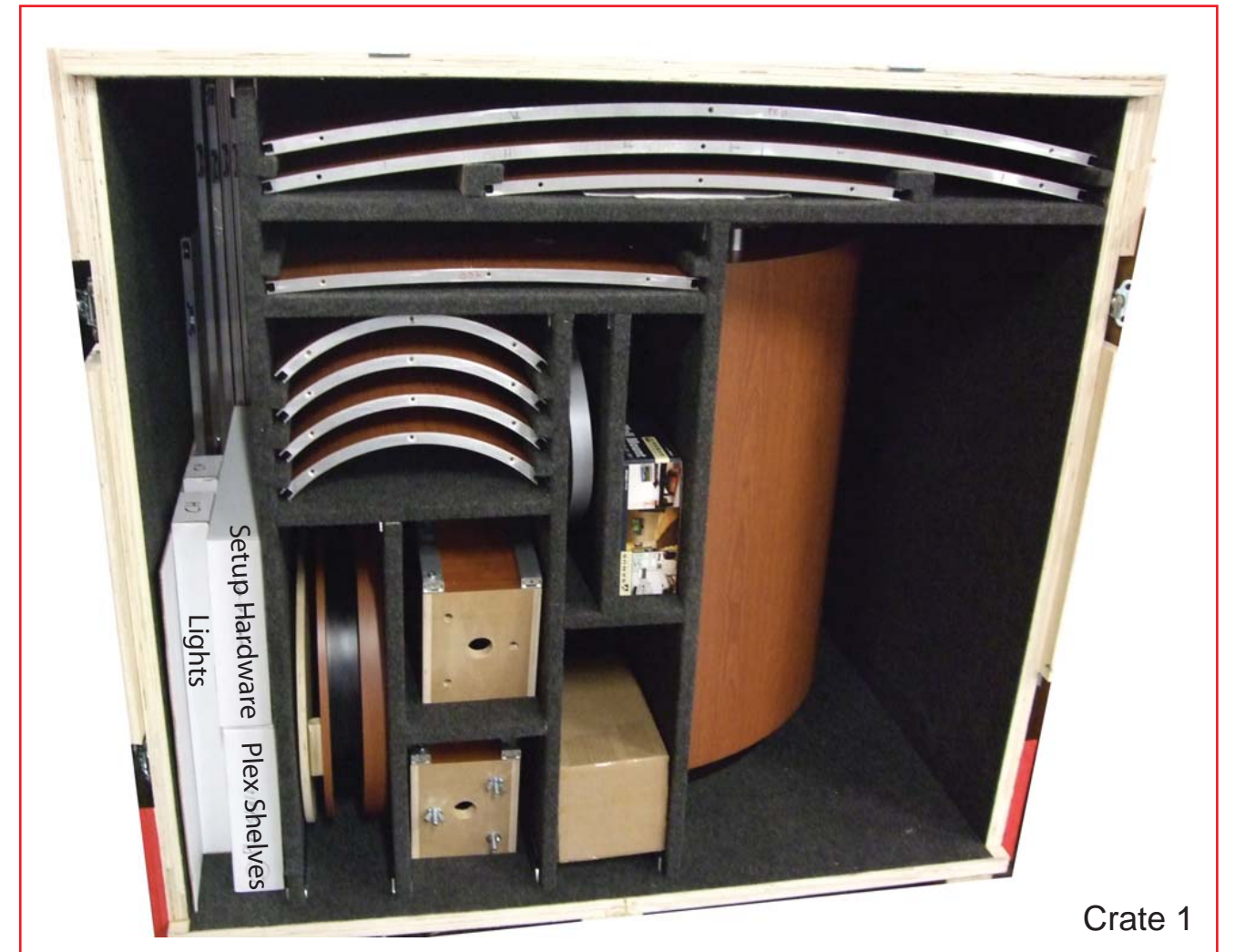
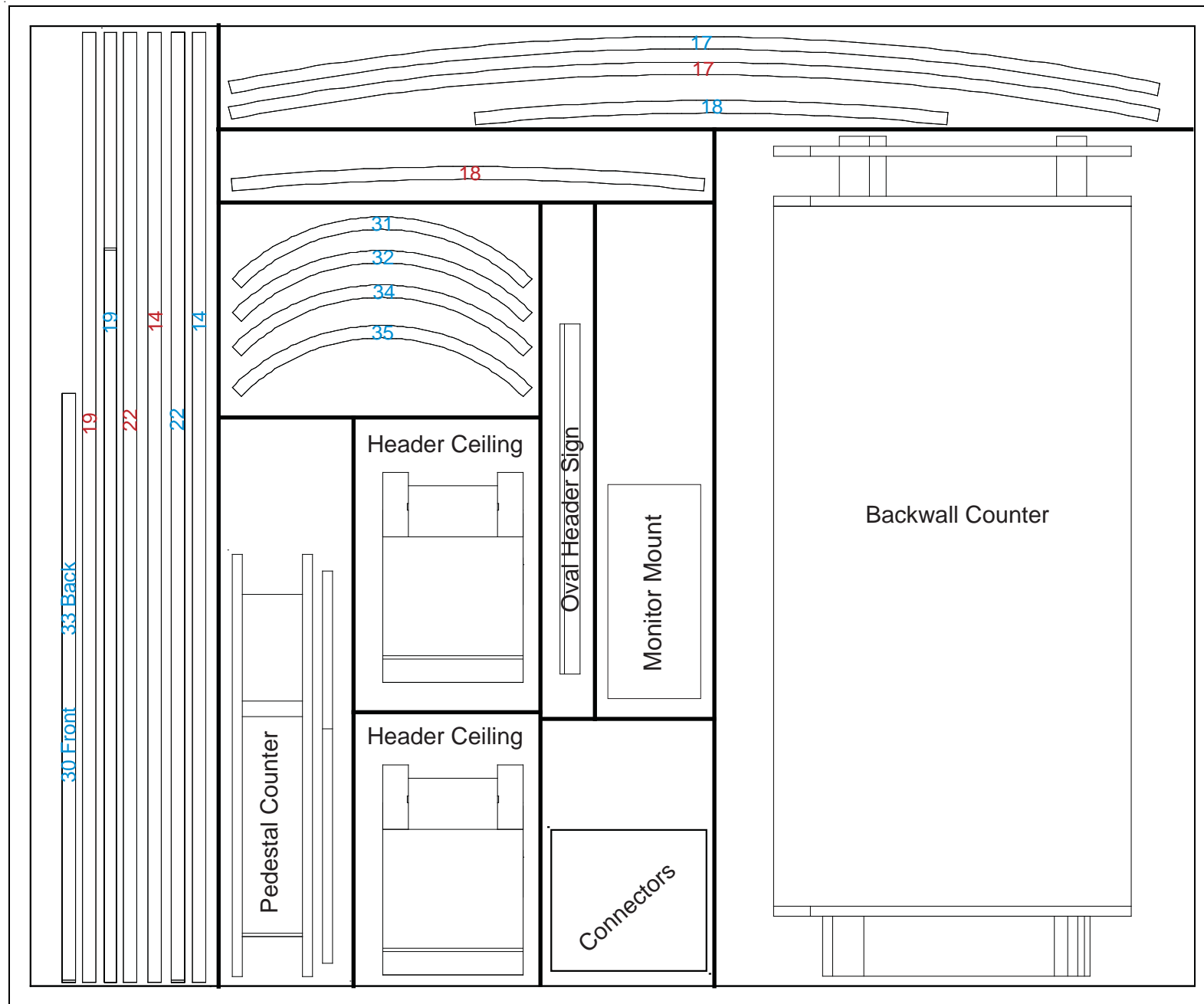


866.652.2100

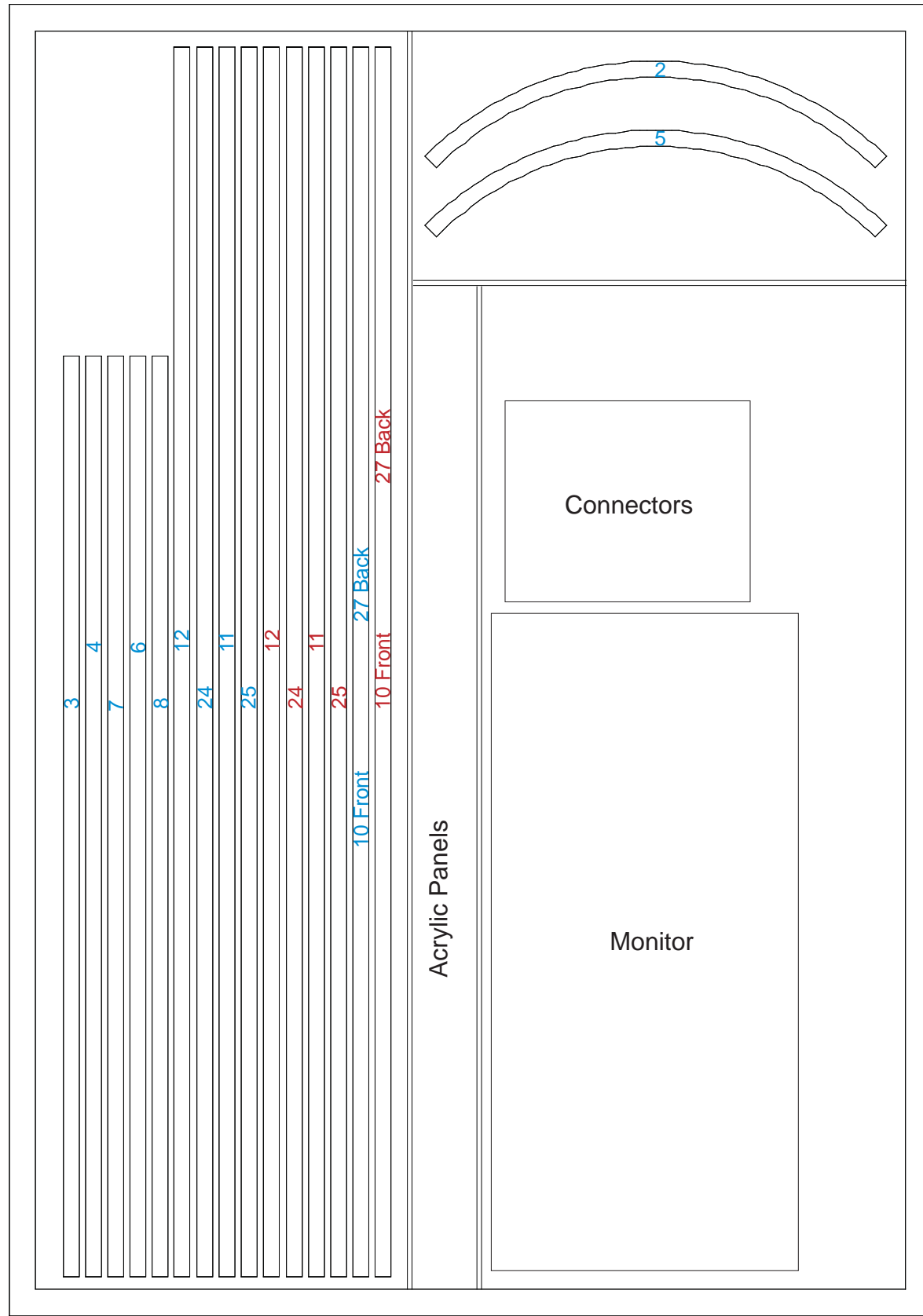
Item Number	Description
30	14.125" w x 38" h Flat Panel w/ Door
31	9.5" r x 38" h Quarter Curve Panel
32	9.5" r x 38" h Quarter Curve Panel
33	14.125" w x 38" h Flat Panel
34	9.5" r x 38" h Quarter Curve Panel
35	9.5" r x 38" h Quarter Curve Panel

Steps:  
 1) Assemble by starting at panel #30\* and continue in numerical order.





Crate 1



Crate 2