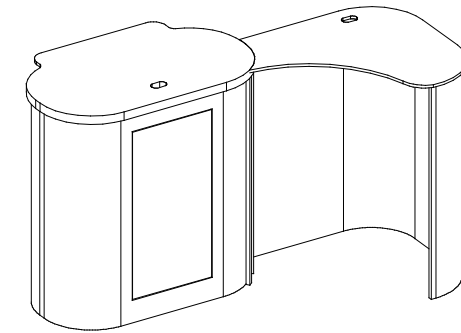


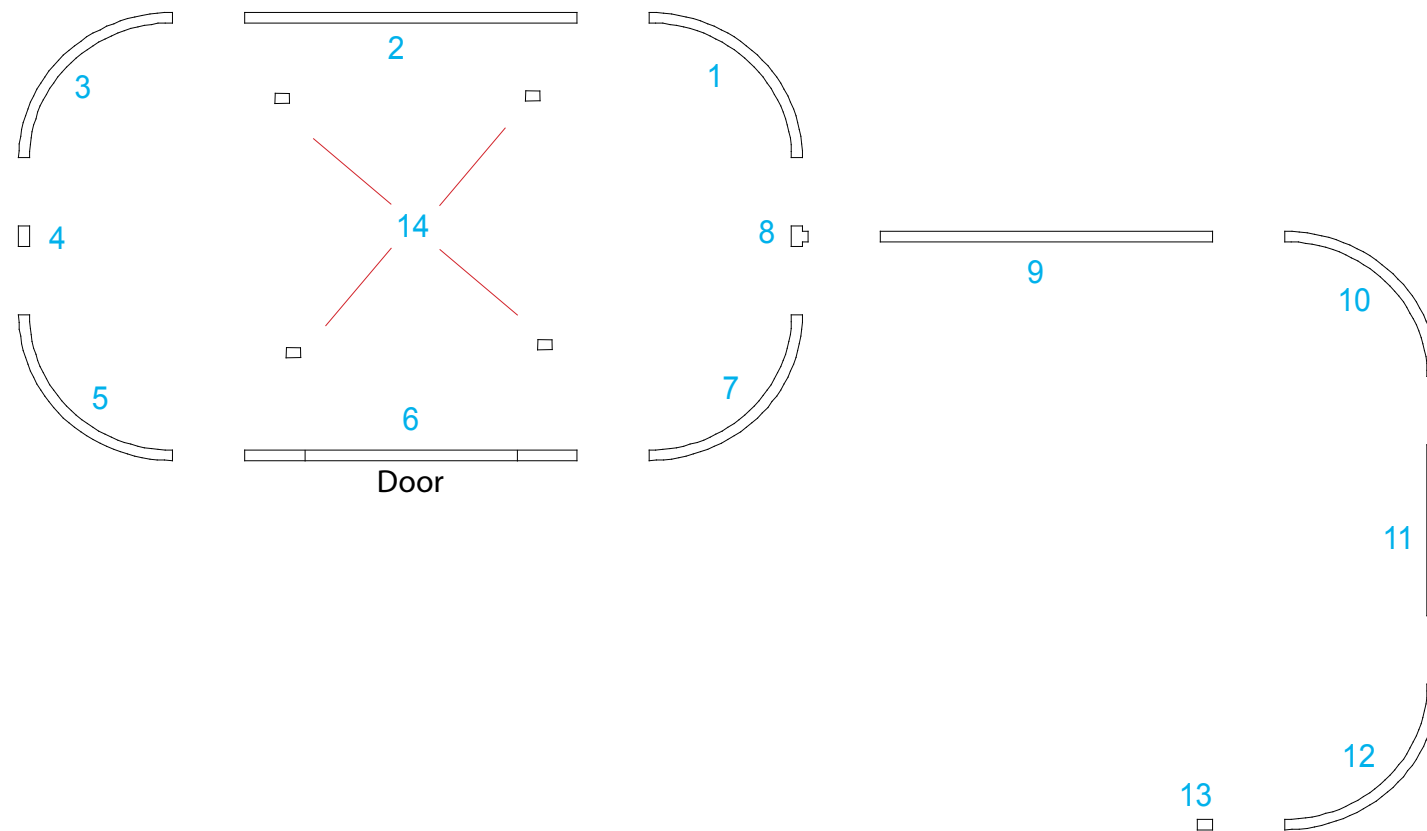
euro It

| Item Number | Description |
|-------------|-----------------------------------|
| 1 | 9.5"r x 38"h Quarter Curve Panel |
| 2 | 23"w x 38"h Flat Panel |
| 3 | 9.5"r x 38"h Quarter Curve Panel |
| 4 | 38"h 180° Connector |
| 5 | 9.5"r x 38"h Quarter Curve Panel |
| 6 | 23"w x 38"h Flat Panel w/ Door |
| 7 | 9.5"r x 38"h Quarter Curve Panel |
| 8 | 38"h 180° Connector |
| 9 | 23"w x 38"h Flat Panel |
| 10 | 9.5"r x 38"h Curve Panel |
| 11 | 14.125"w x 38"h Curve Panel |
| 12 | 9.5"r x 38"h Curve Panel |
| 13 | 38"h Square End Cap |
| 14 | Vertical Shelf Supports w/ Velcro |

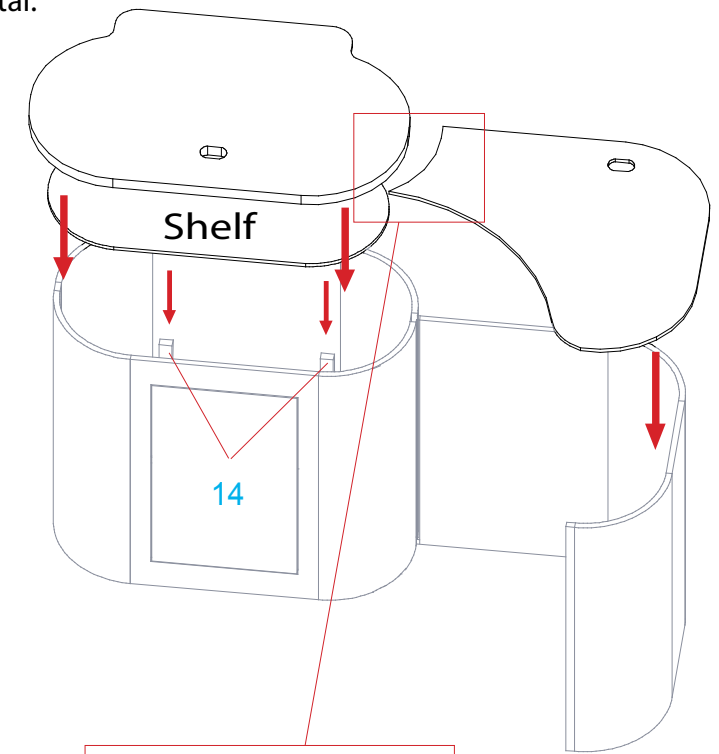


Steps

- 1) Connect panel 1 to panel 2, and continue in numerical order [parts: 1 - 14].
- 2) Connect counter pieces together, then place atop assembled pedestal.



Place shelf on vertical supports 14, then set assembled counter atop assembled pedestal.



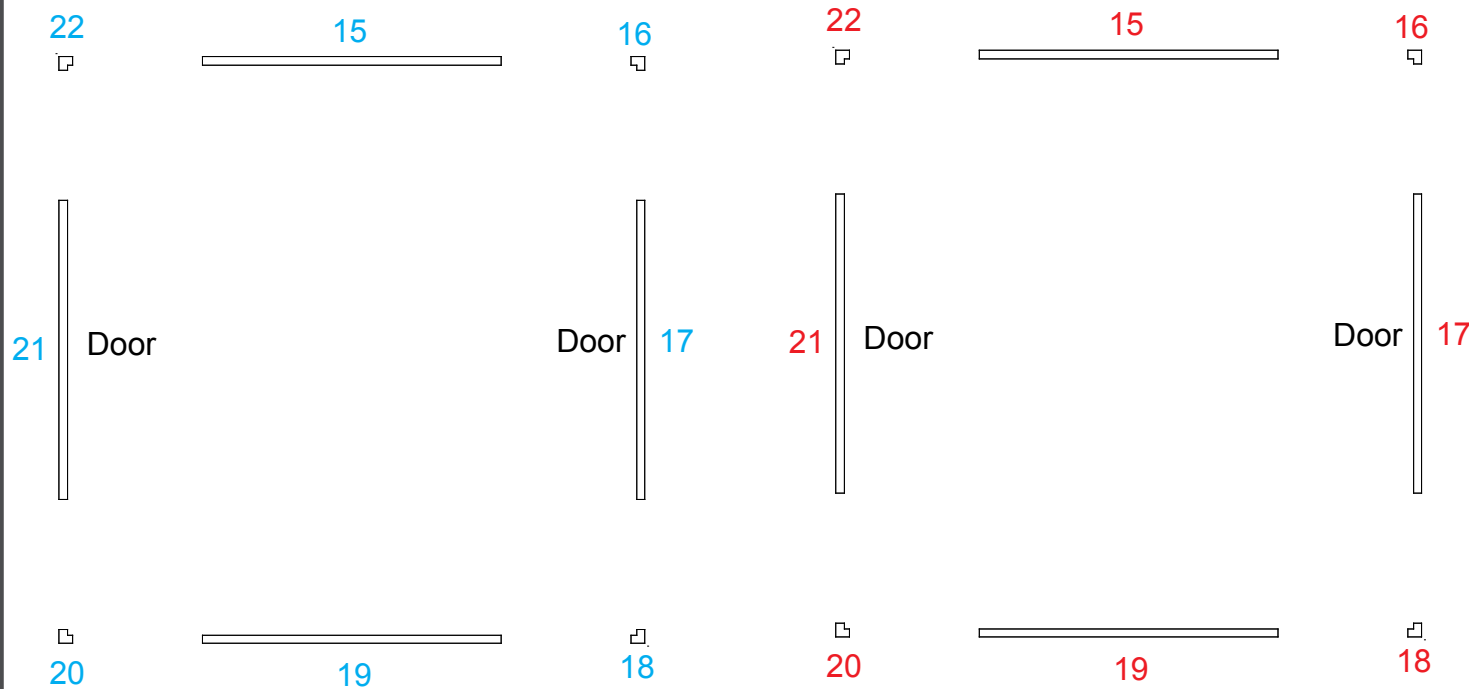
Connect counter pieces together using thumbscrews

euro It

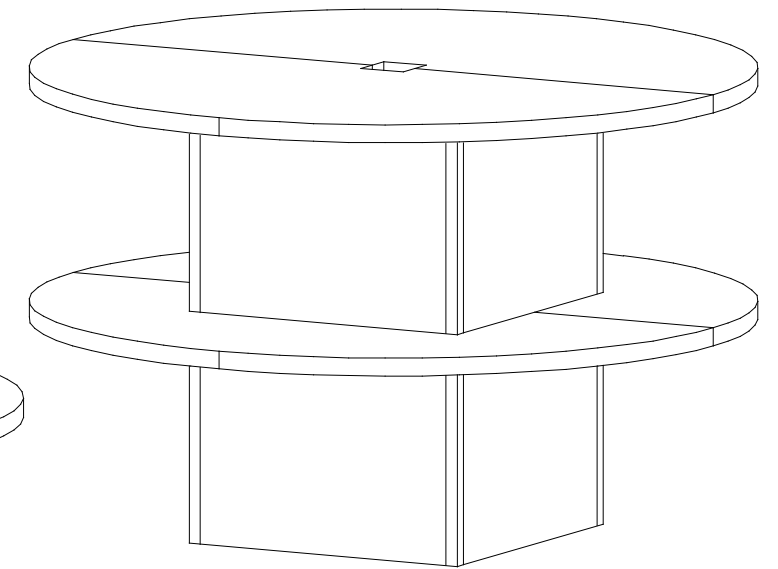
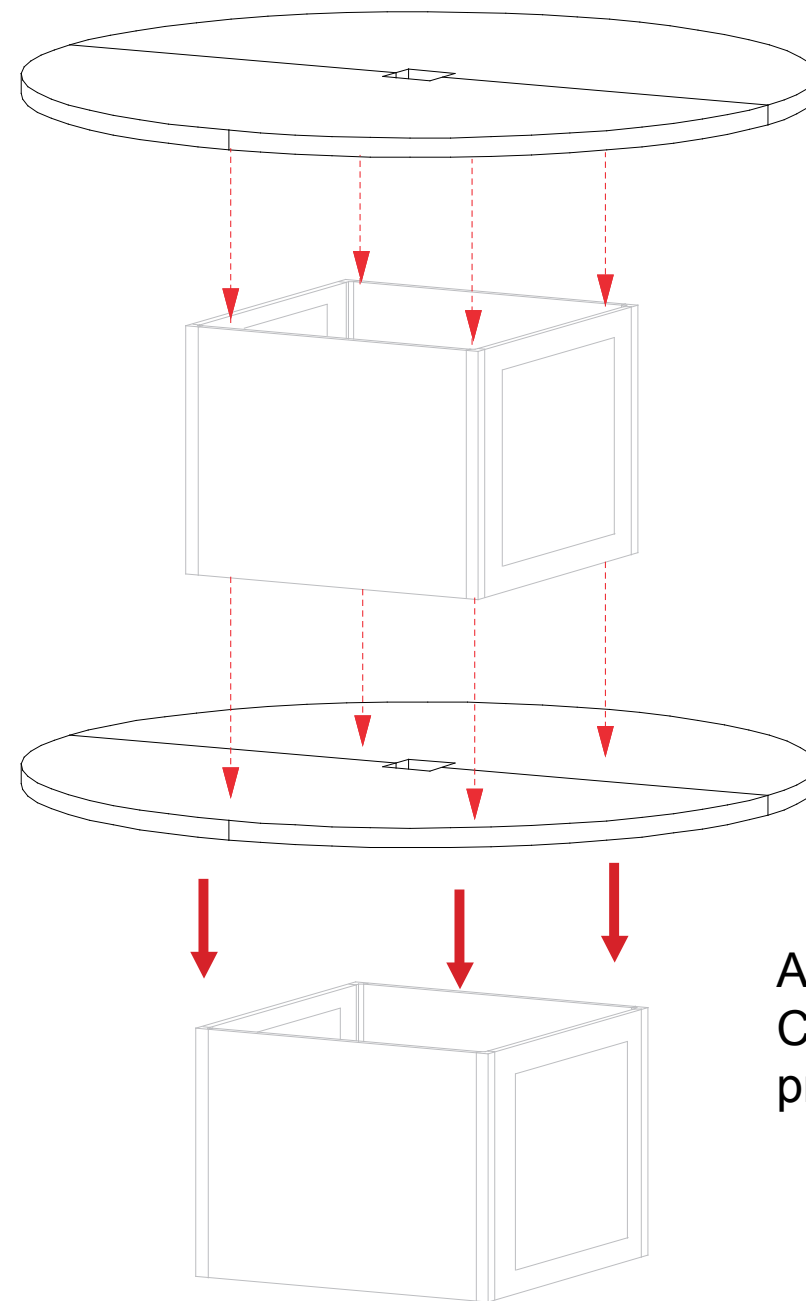
| Item Number | Description |
|-------------|----------------------------------|
| 15 | 23" w x 19" h Flat Panel |
| 16 | 19" h 90° Connector |
| 17 | 23" w x 19" h Flat Panel w/ Door |
| 18 | 19" h 90° Connector |
| 19 | 23" w x 19" h Flat Panel |
| 20 | 19" h 90° Connector |
| 21 | 23" w x 19" h Flat Panel w/ Door |
| 22 | 19" h 90° Connector |
| 15 | 23" w x 19" h Flat Panel |
| 16 | 19" h 90° Connector |
| 17 | 23" w x 19" h Flat Panel w/ Door |
| 18 | 19" h 90° Connector |
| 19 | 23" w x 19" h Flat Panel |
| 20 | 19" h 90° Connector |
| 21 | 23" w x 19" h Flat Panel w/ Door |
| 22 | 19" h 90° Connector |

Steps

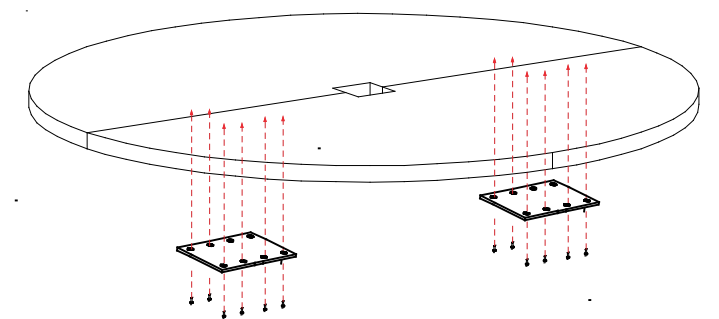
- 1) Connect panel 15 to connector 16, and continue in numerical order [parts: 15-22].
- 2) Connect panel 15 to connector 16, and continue in numerical order [parts: 15-22].



Connect Lower Counter Top together and then assemble second set of panels atop lower counter, then Connect Upper Counter Top together and secure to panel assembly.



Top Counter



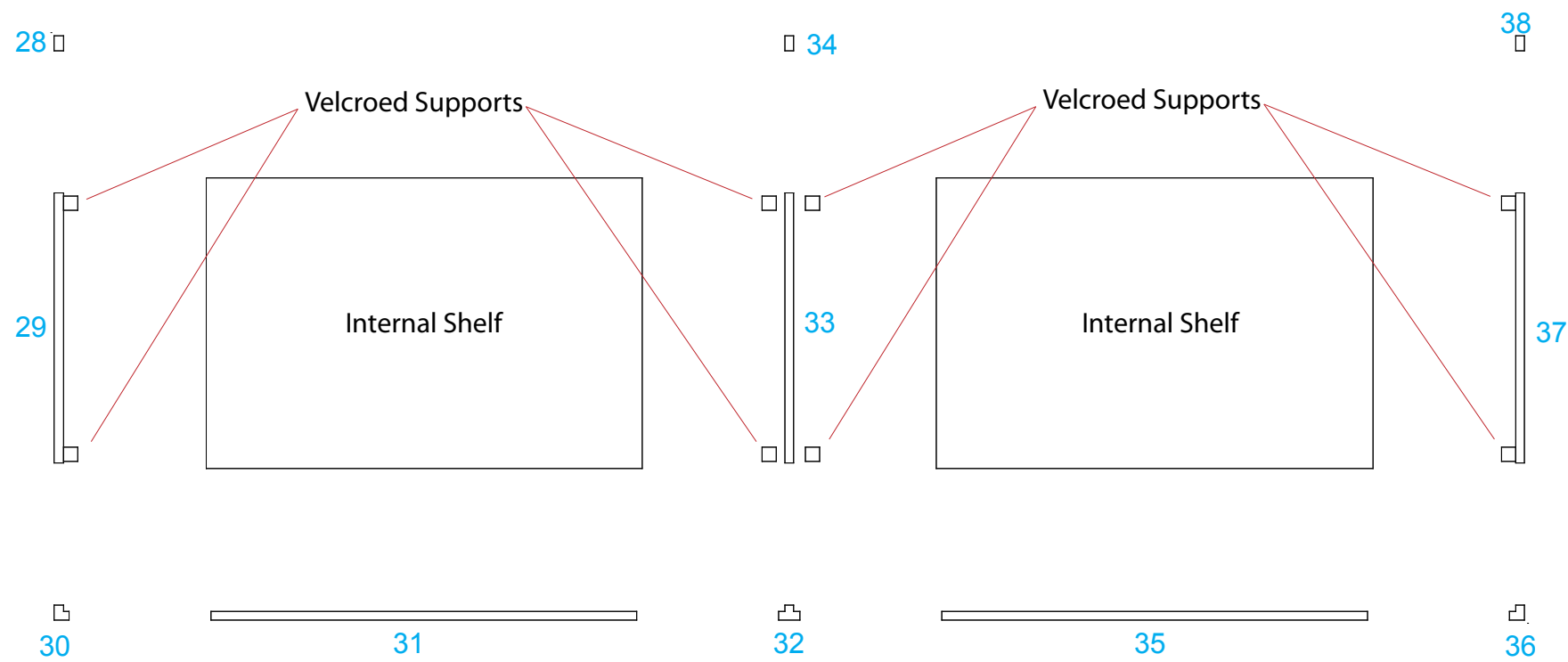
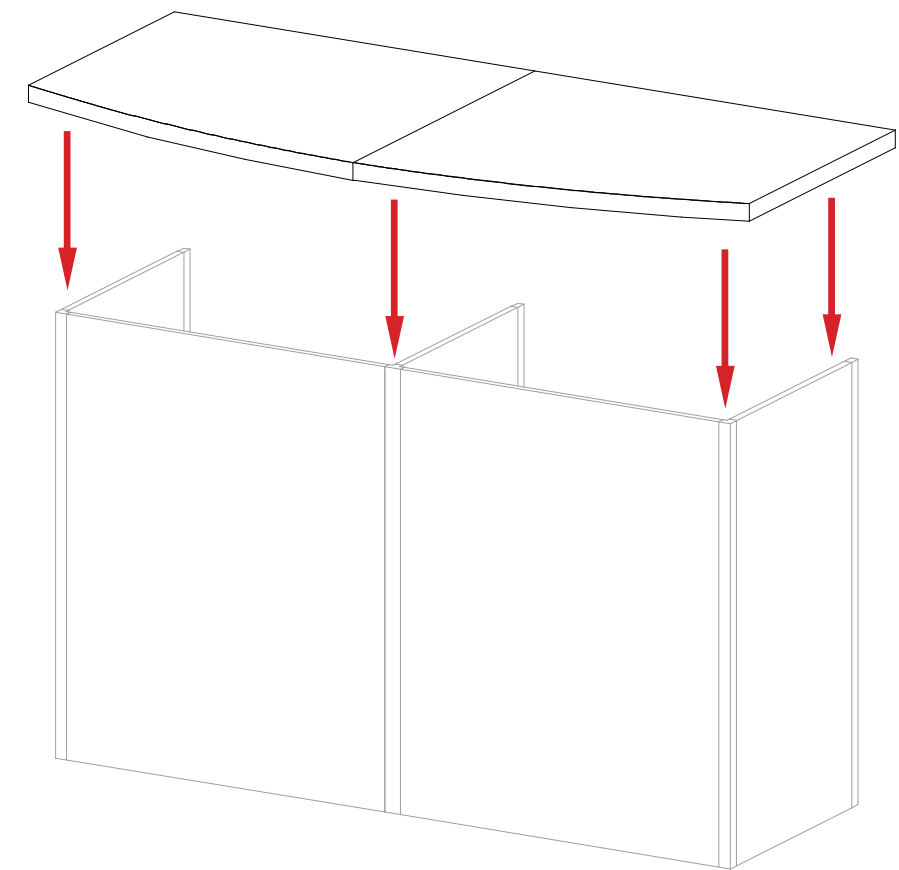
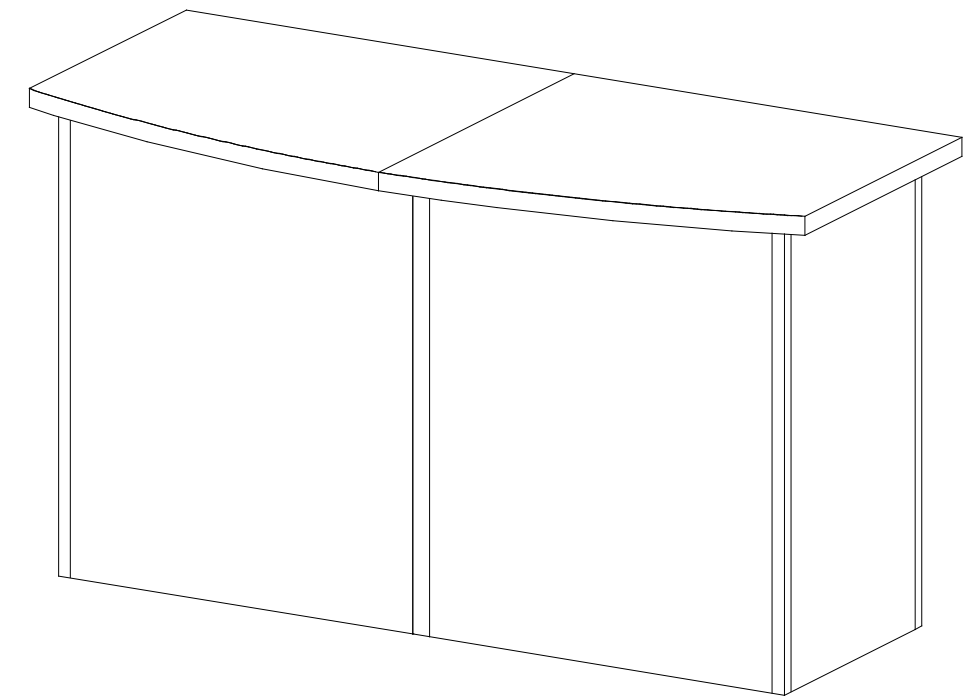
Attach Metal plates to underside of Counter Tops and secure with screws provided.

euro It

| Item | Description |
|------|--------------------------|
| 28 | 38" h End Cap |
| 29 | 19" w x 38" h Flat Panel |
| 30 | 38" h 90° Connector |
| 31 | 30" w x 38" h Flat Panel |
| 32 | 38" h T-Connector |
| 33 | 19" w x 38" h Flat Panel |
| 34 | 38" h End Cap |
| 35 | 30" w x 38" h Flat Panel |
| 36 | 38" h 90° Connector |
| 37 | 19" w x 38" h Flat Panel |
| 38 | 38" h End Cap |

Steps:

- 1) Assemble panels in numerical order.
- 2) Attach Velcroed shelf supports to panels.
- 3) Set internal shelves atop Velcroed supports.
- 4) Place Counter atop assembled Pedestal.

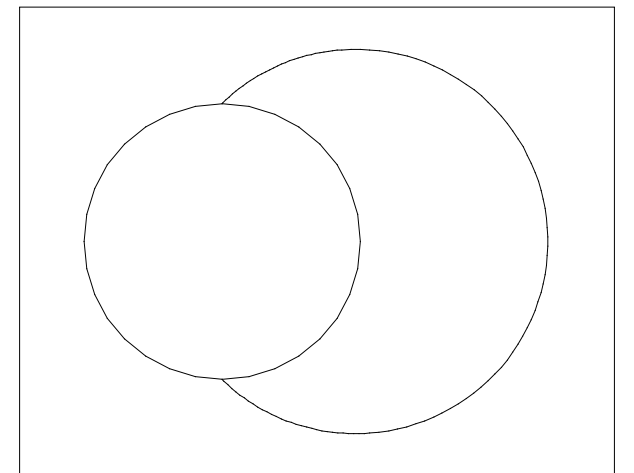
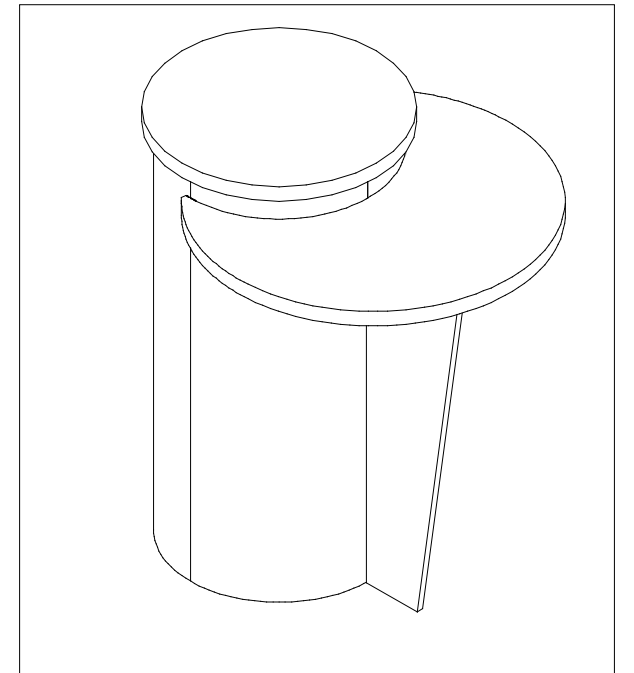
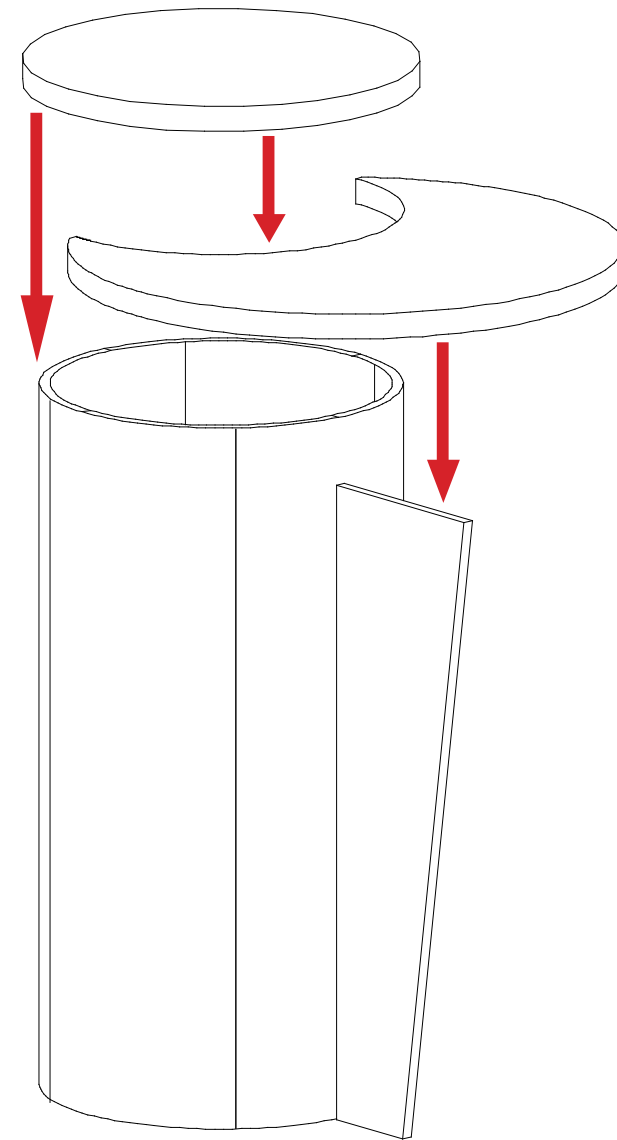
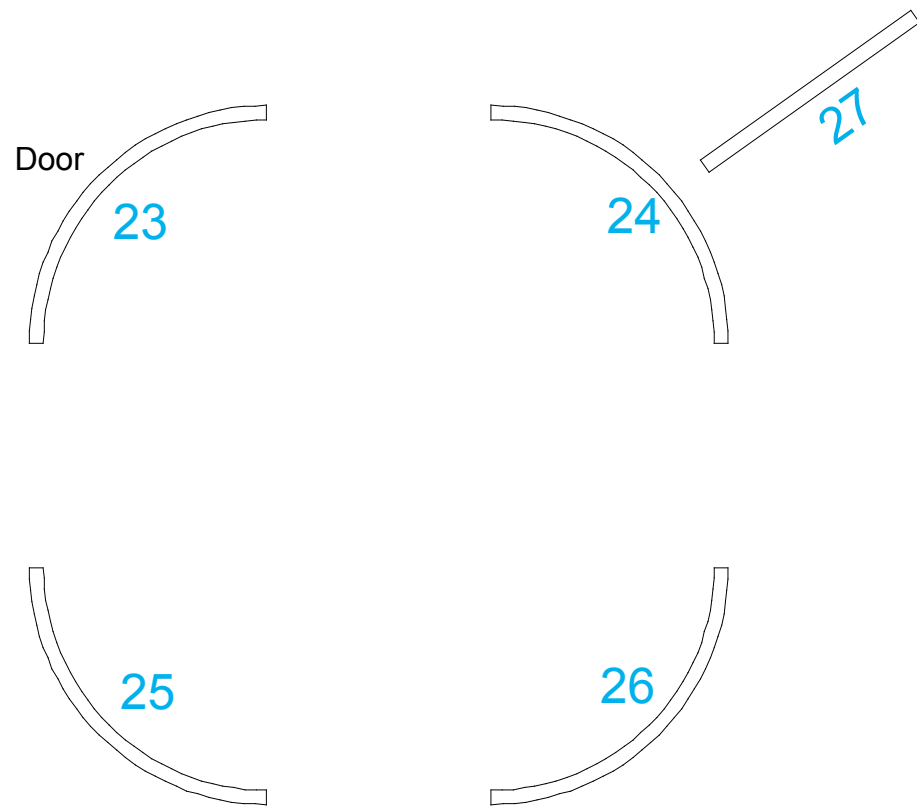


euro It

| Item | Description |
|------|---------------------------------------|
| 23 | 42" h Curved Panel w/Door |
| 24 | 42" h Curved Panel |
| 25 | 42" h Curved Panel |
| 26 | 42" h Curved Panel w/Velcro |
| 27 | 38" h Counter Support Panel w/Buttons |

Steps:

- 1) Assemble panels in numerical order.
- 2) Attach counter support panel #5 to panel #4 w/velcro.
- 3) Set front counter atop support #5 and thumbscrew sides into panels.
- 4) Set circular counter atop assembled pedestal as shown in illustration.



euro lt | HYBRIDS

Euro LT Hybrids General Setup Instructions

Using Your Setup Instructions

The Euro LT Hybrids Setup Instructions are created specifically for your configuration. They are laid out sequentially in levels, including exploded views, and a logical series of detailed steps to assemble the main structure and components. We encourage you to study the instructions **before** attempting to assemble your exhibit.

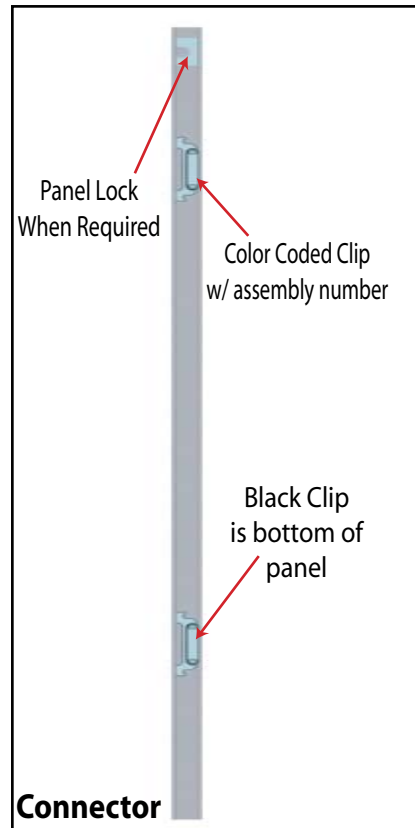
Cleaning and Packing Your Display

- 1) When cleaning laminate countertops or panels use mild cleansers and a soft material such as cotton.
- 2) Keep all display components away from extreme heat and long exposure to sunlight to avoid warping and fading.
- 3) Retain all packing material. It will make re-packing much easier and will reduce the likelihood of shipping damage.

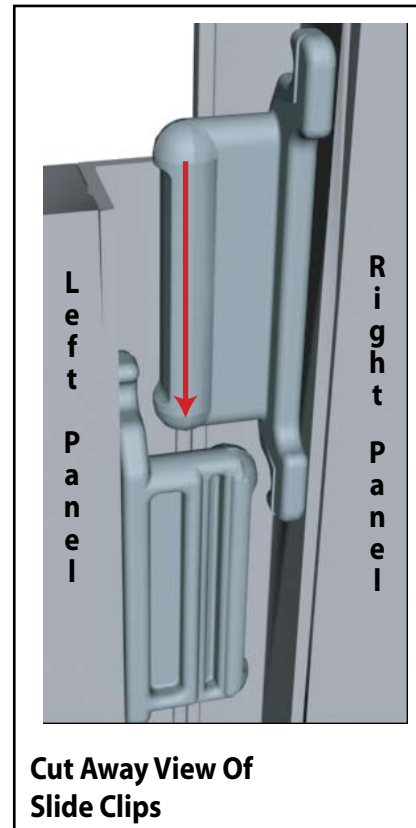
Level 1 = Blue
 Level 2 = Red
 Level 3 = Green
 Level 4 = Black

Color Code

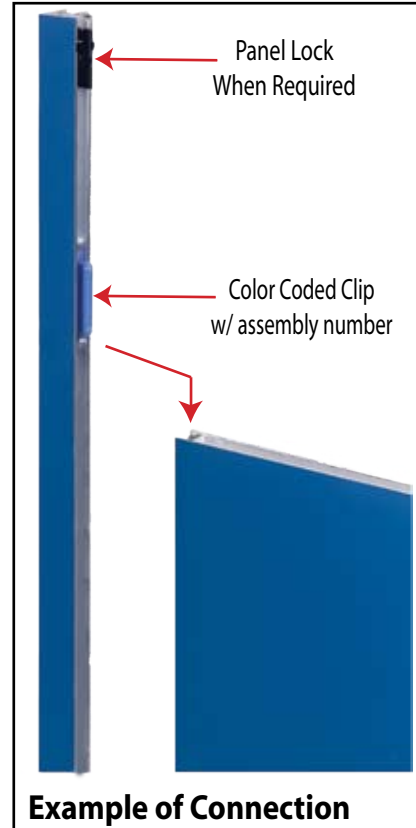
The top clip is color coded to distinguish the level. The color coded clip also contains the numbered label



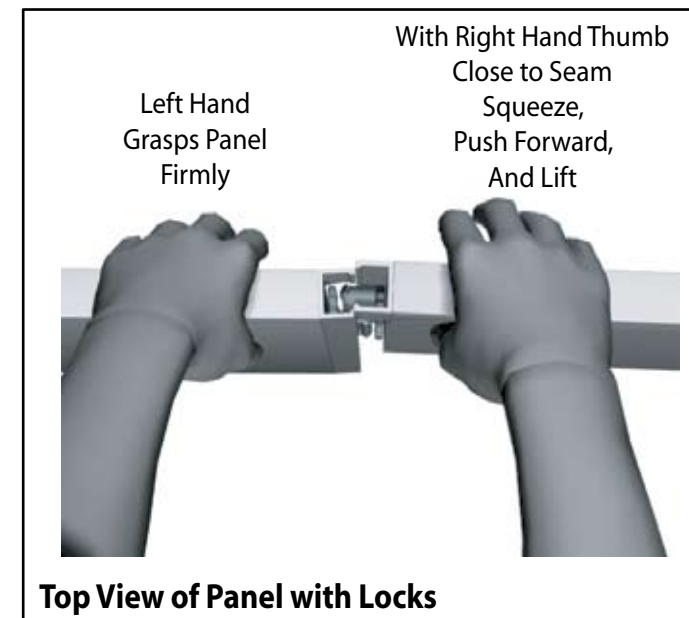
Each component has 2 clips, the lower clip is ALWAYS black..



Components connect together by aligning them and sliding downward connecting clips together.



Configurations are assembled from left to right, usually starting with #1 and following the numbered sequence.



The first level of components contains panel locks that are located at the top of the panel for extra stability and a seamless connection. When disassembling panels, twist top connection slightly and lift right panel upward.

