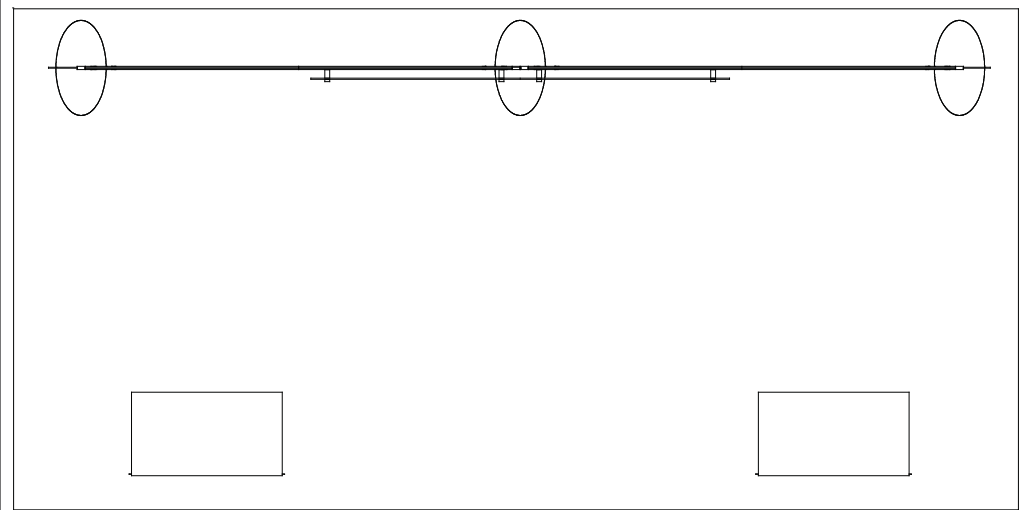


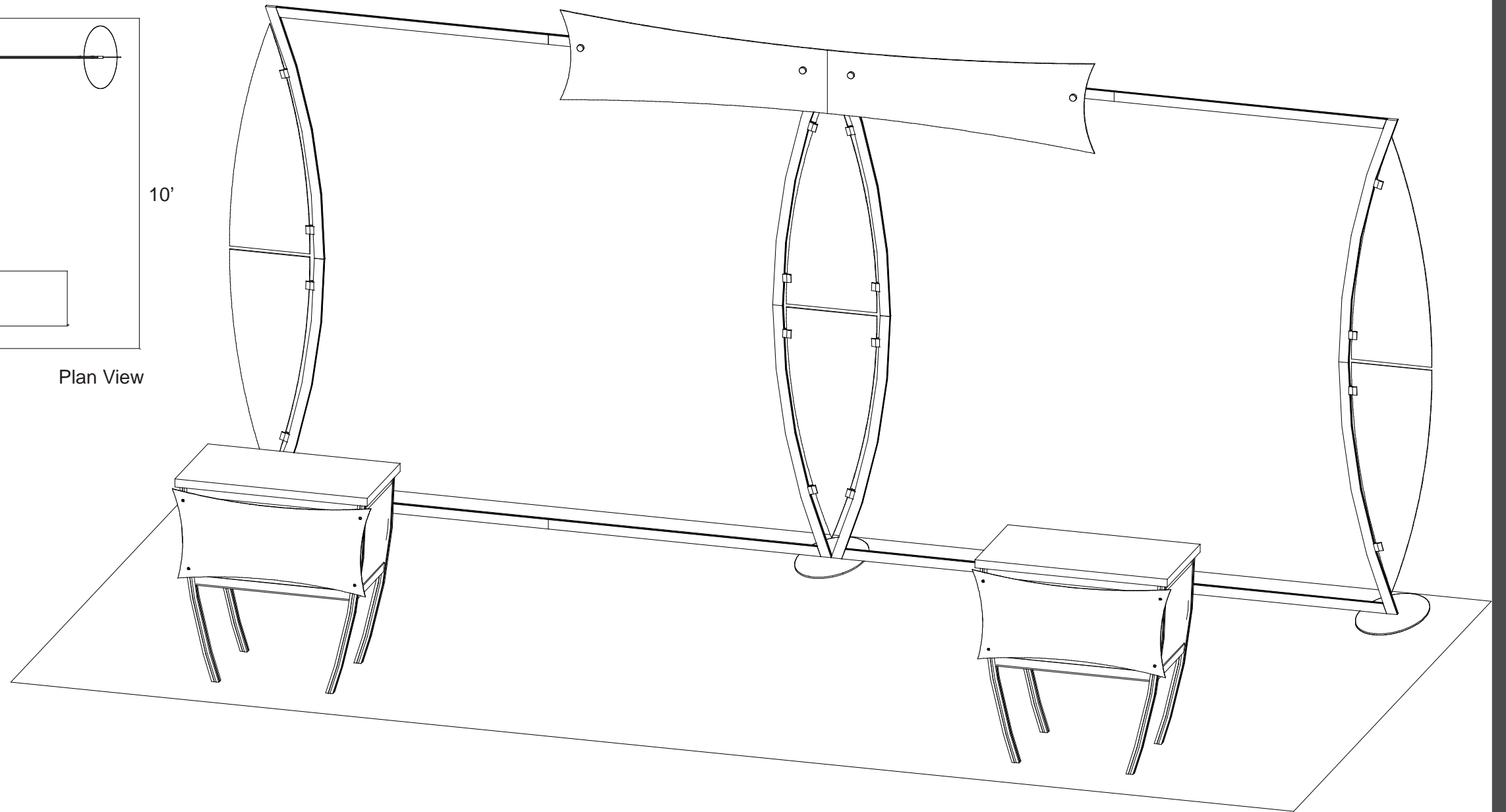
visionary™

MAGELLAN DESIGNS



20'

Plan View



WHEN DISASSEMBLING ALUMINUM EXTRUSION, TIGHTEN ALL SETSCREWS AND LOCKS TO PREVENT LOSS DURING SHIPPING

visionary™ DESIGNS

Using Your Setup Instructions

The Visionary Designs Setup Instructions are created specifically for your configuration. They are laid out sequentially, including an exploded view of the entire display, and then a logical series of detailed steps to assemble the main structure and components. We encourage you to study the instructions **before** attempting to assemble your exhibit.

Each page reminds you to tighten the setscrews after disassembling your exhibit to prevent loss of the locks and setscrews (see below in RED). This is **VERY IMPORTANT**.

Cleaning and Packing Your Display

- 1) Use care when cleaning aluminum extrusion or acrylic inserts. Use only non-abrasive cleaners.
- 2) When cleaning laminate inserts or countertops, use mild cleansers and a soft material such as cotton.
- 3) Keep all display components away from extreme heat and long exposure to sunlight to avoid warping and fading.
- 4) Retain all packing material. It will make re-packing much easier and will reduce the likelihood of shipping damage.



The Tool

Most Visionary Designs exhibits can be assembled with the supplied Hex Key Tool. Occasionally, a flat head screwdriver may be required.



Detail A

Typical Connection



Typical Connection (cont'd)

Most horizontal extrusion connections have a patented expandable lock. This lock inserts into the groove of an opposing extrusion. Tightening the lock with the Hex Key Tool expands the lock and creates a strong positive connection.



Detail B

Numbered Label

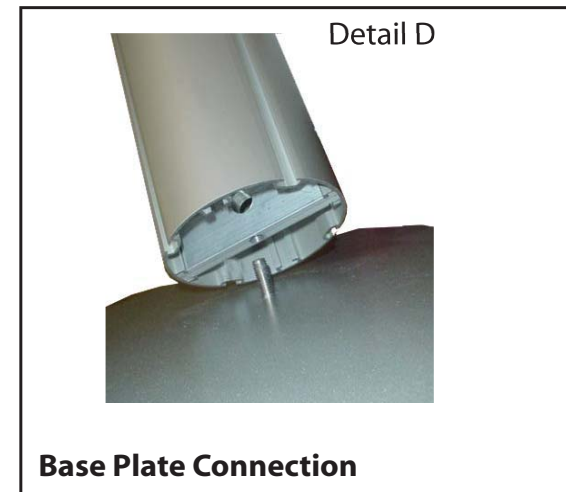
Each extrusion contains a numbered label which corresponds with setup instructions. The label is located within a groove of the extrusion (when possible). With Visionary Designs the labels contain Black numbers unless otherwise specified.



Detail C

Horizontal Inline Connection (remove only one setscrew)

Remove only (1) setscrew when disassembling. Replace setscrew in extrusion after assembling it. Before packing, replace setscrew in extrusion to avoid losing it.



Detail D

Base Plate Connection

Attach base plate to round or square vertical extrusion using the bolt provided. Be careful not to strip the threads.



Detail E

Vertical Connection
(remove only two setscrews)

When vertical extrusions are packed in portable cases rather than crates or tubs, they must be broken down into smaller sections which then require assembly.

Remove only (2) setscrews when disassembling. Replace setscrews in extrusion after assembling it. Before packing, replace setscrews in extrusion to avoid losing them.

WHEN DISASSEMBLING ALUMINUM EXTRUSION, TIGHTEN ALL SETSCREWS AND LOCKS TO PREVENT LOSS DURING SHIPPING

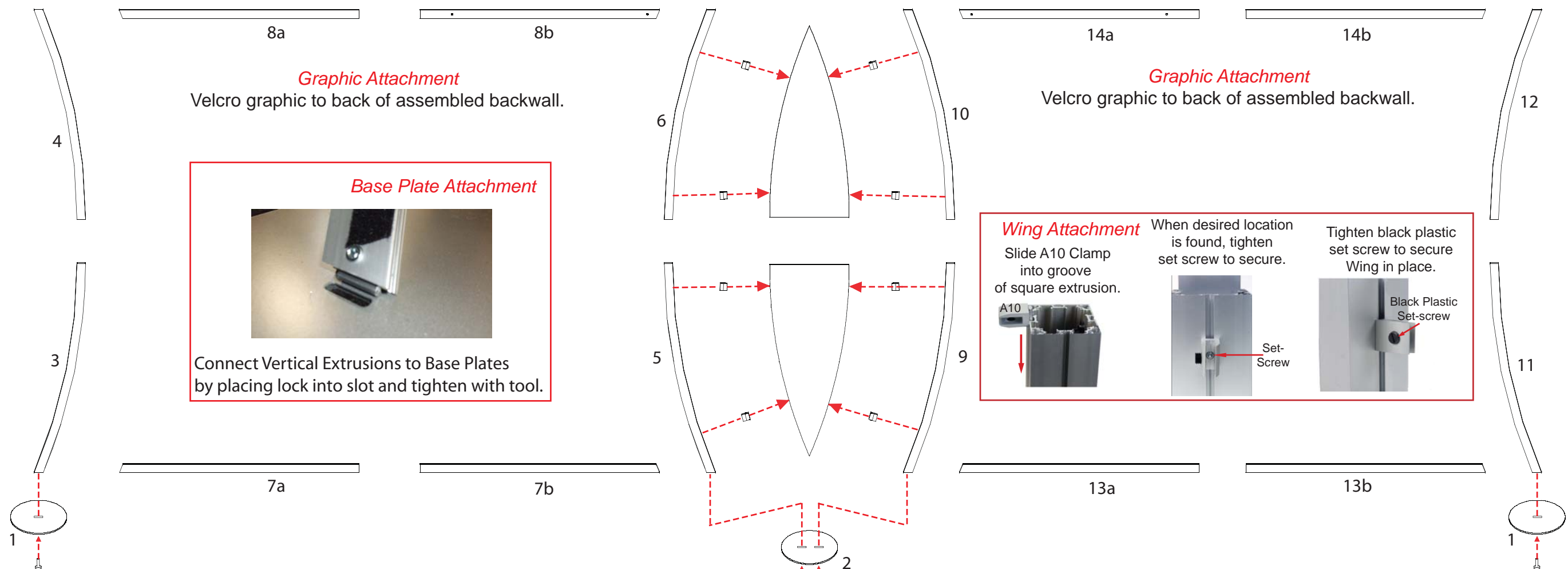
866.652.2100

Part Number	Qty	Description
1	2	Base Plate w/ one hole
2	1	Base Plate w/ two hole
3	1	48.0501" Lower Curved Vertical extrusion w/ Velcro Attach to Back of Extrusion
4	1	48.0501" Upper Curved Vertical extrusion w/ Velcro Attach to Back of Extrusion
5	1	48.0501" Lower Curved Vertical extrusion w/ Velcro Attach to Back of Extrusion
6	1	48.0501" Upper Curved Vertical extrusion w/ Velcro Attach to Back of Extrusion
7a/7b	1/1	51" Lower Horizontal Extrusion w/ Velcro Attach to Back of Extrusion
8a/8b	1/1	51" Upper Horizontal Extrusion w/ Velcro Attach to Back of Extrusion

Part Number	Qty	Description
9	1	48.0501" Lower Curved Vertical extrusion w/ Velcro Attach to Back of Extrusion
10	1	48.0501" Upper Curved Vertical extrusion w/ Velcro Attach to Back of Extrusion
11	1	48.0501" Lower Curved Vertical extrusion w/ Velcro Attach to Back of Extrusion
12	1	48.0501" Upper Curved Vertical extrusion w/ Velcro Attach to Back of Extrusion
13a/13b	1/1	51" Lower Horizontal Extrusion w/ Velcro Attach to Back of Extrusion
14a/14b	1/1	51" Upper Horizontal Extrusion w/ Velcro Attach to Back of Extrusion

Steps:

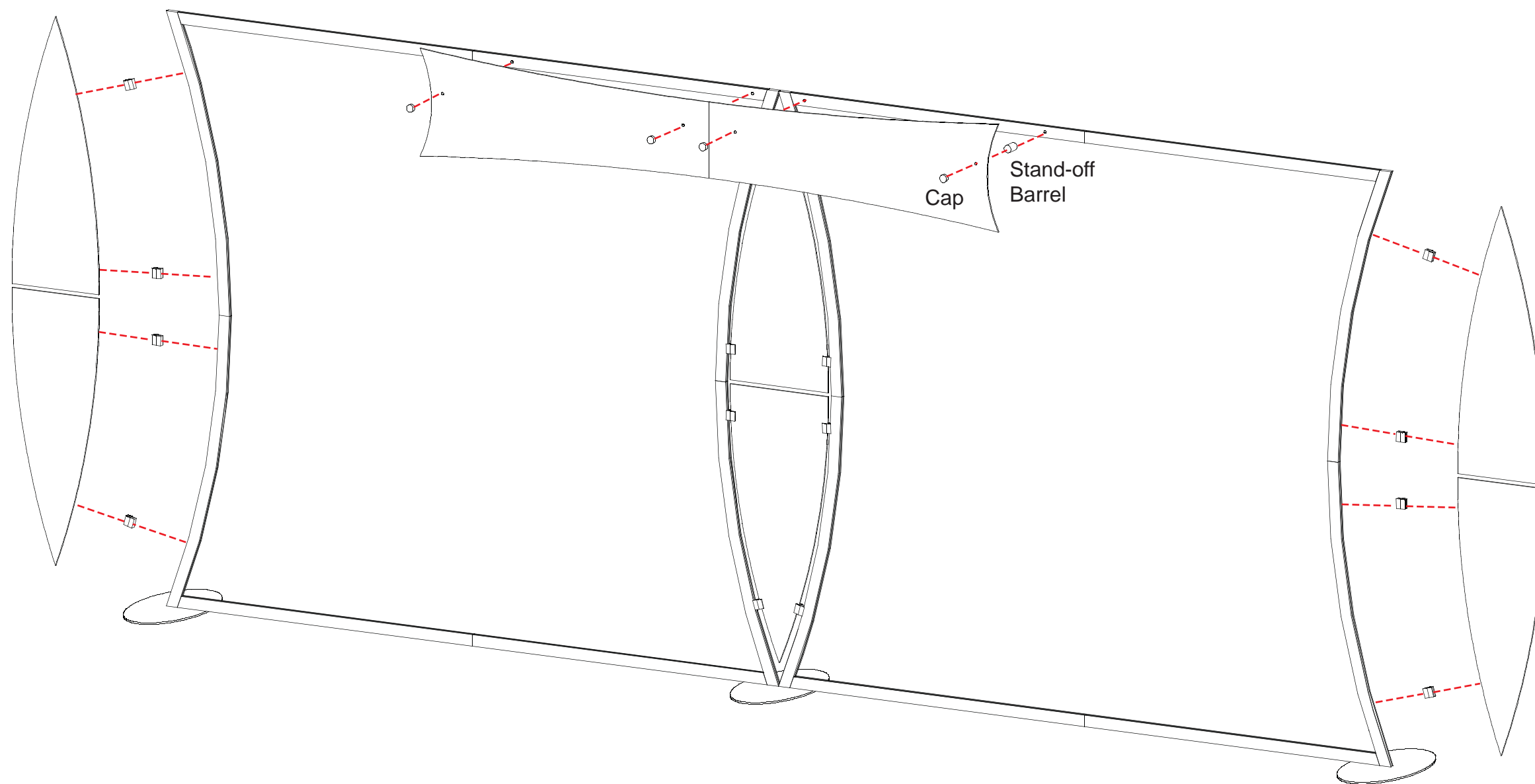
- 1) Attach lower vertical extrusions [3 and 11] to base plates [1] and extrusions [5 and 9] to base plate [2].
- 2) Attach upper vertical extrusions to lower extrusions [4 to 3, 6 to 5, 10 to 9 and 12 to 11].
- 3) Connect horizontal extrusions together [7a to 7b, 8a to 8b, 13a to 13a and 14a to 14b].
- 4) Connect horizontal assemblies between vertical assemblies as shown.
- 5) Attach wings to assembled backwall frame where indicated, see Wing Attachment Detail.
- 6) Apply graphics to back of assembled backwall frame.



WHEN DISASSEMBLING ALUMINUM EXTRUSION, TIGHTEN ALL SETSCREWS AND LOCKS TO PREVENT LOSS DURING SHIPPING

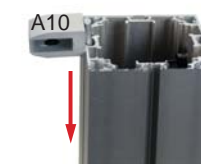
Steps:

- 1) Attach wings to both sides of assembled backwall using A10 clamps, see Wing Attachment.
- 2) Attach header to top of assembled backwall using stand-off barrels and caps.



Wing Attachment

Slide A10 Clamp into groove of square extrusion.



When desired location is found, tighten set screw to secure.



Tighten black plastic set screw to secure Wing in place.



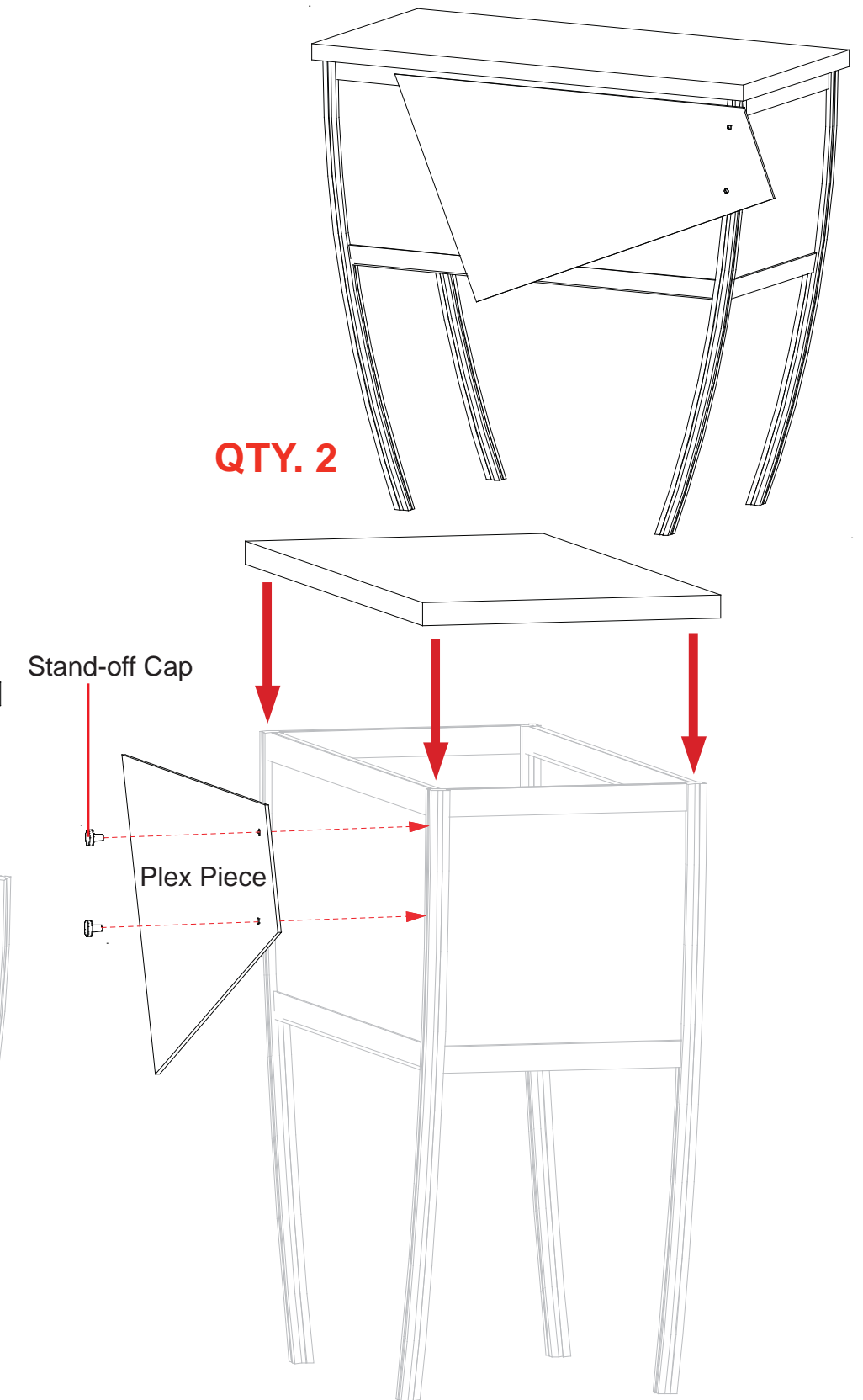
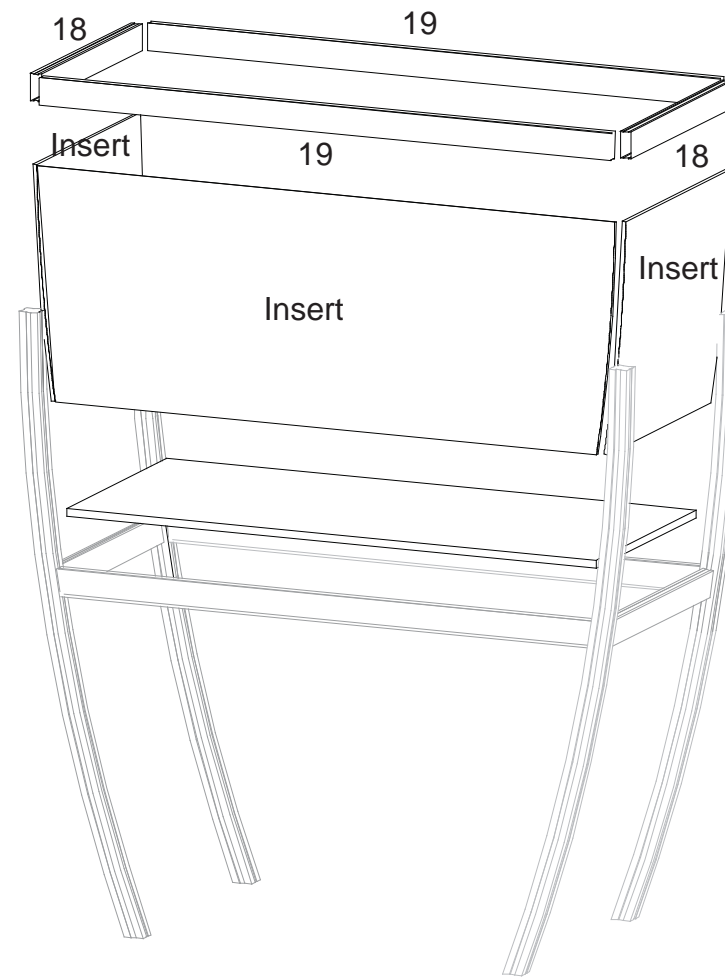
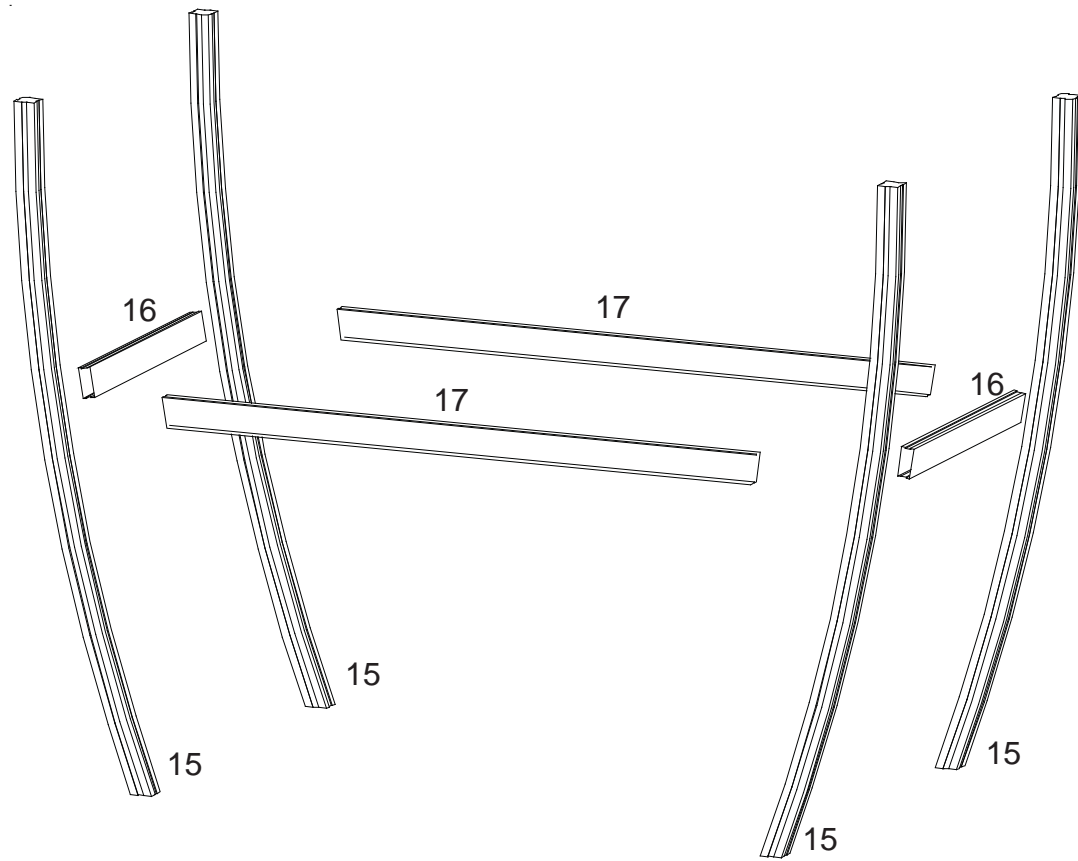
WHEN DISASSEMBLING ALUMINUM EXTRUSION, TIGHTEN ALL SETSCREWS AND LOCKS TO PREVENT LOSS DURING SHIPPING

866.652.2100

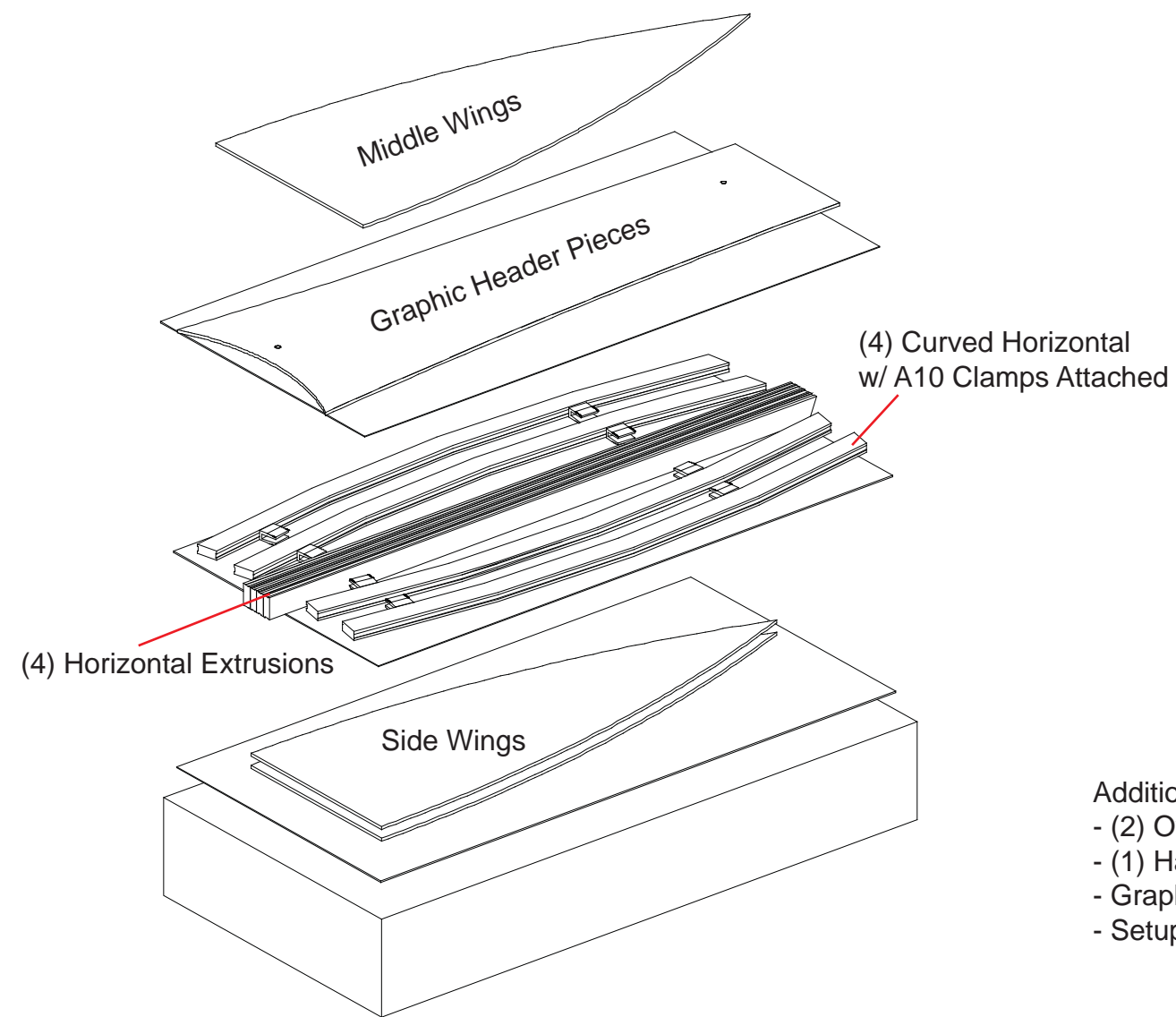
Part Number	Qty for Step	Description
15	4	41.9257" h Curved Vertical extrusion
16	2	16" Horizontal extrusion
17	2	37.462" Horizontal extrusion w/ support for internal shelf
18	2	16" Horizontal extrusion
19	2	40" Horizontal extrusion

Steps

- 1) Connect horizontal extrusions [16 and 17] between vertical extrusions [15].
- 2) Set internal shelf into place.
- 3) Slide front and side inserts into place as indicated.
- 4) Connect horizontal extrusions [18 and 19] between vertical extrusions [15] and atop inserts.
- 5) Attach plex piece to assembled pedestal using Stand-off Caps as shown.
- 6) Place counter atop assembled pedestal.



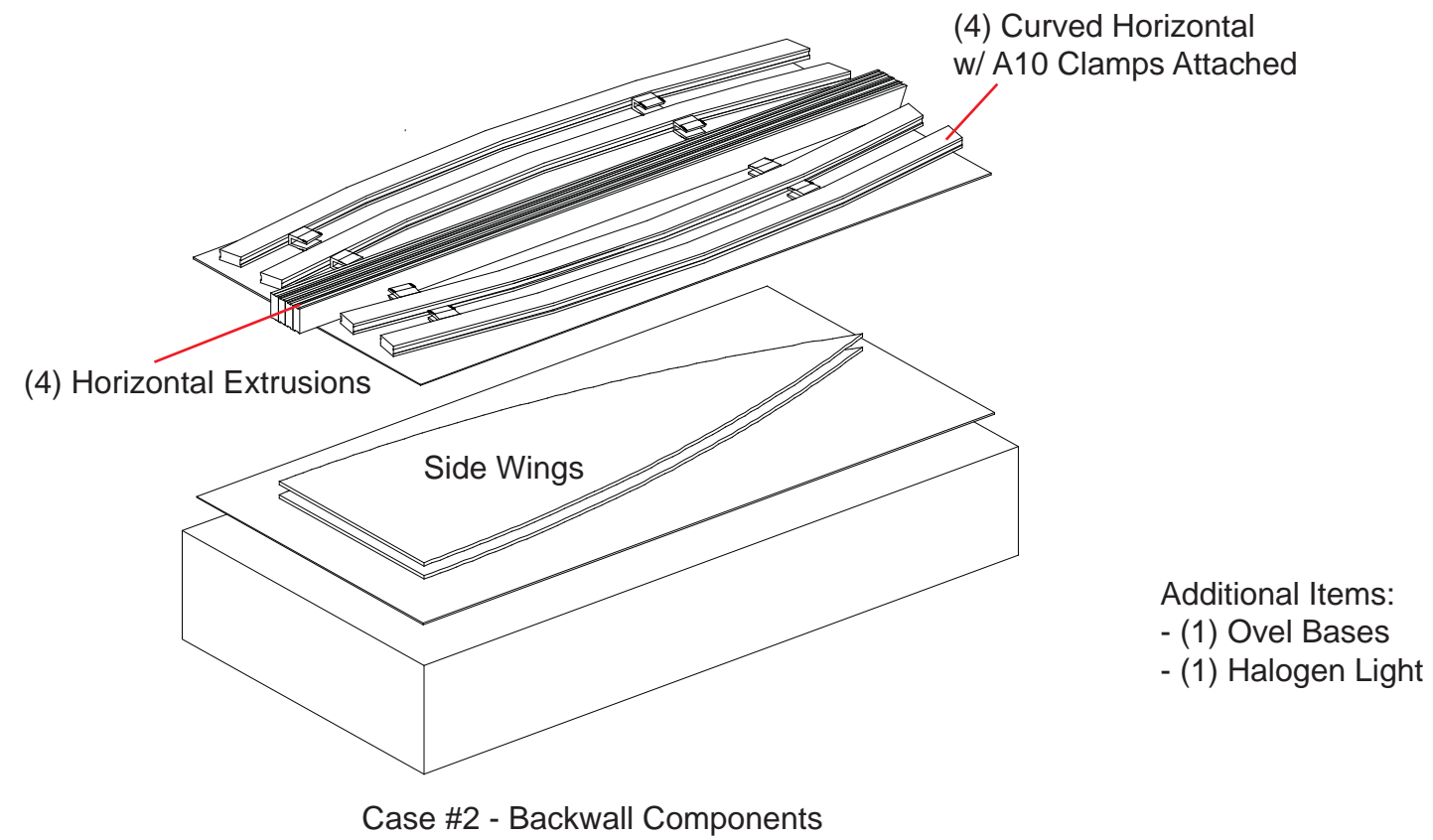
WHEN DISASSEMBLING ALUMINUM EXTRUSION, TIGHTEN ALL SETSCREWS AND LOCKS TO PREVENT LOSS DURING SHIPPING



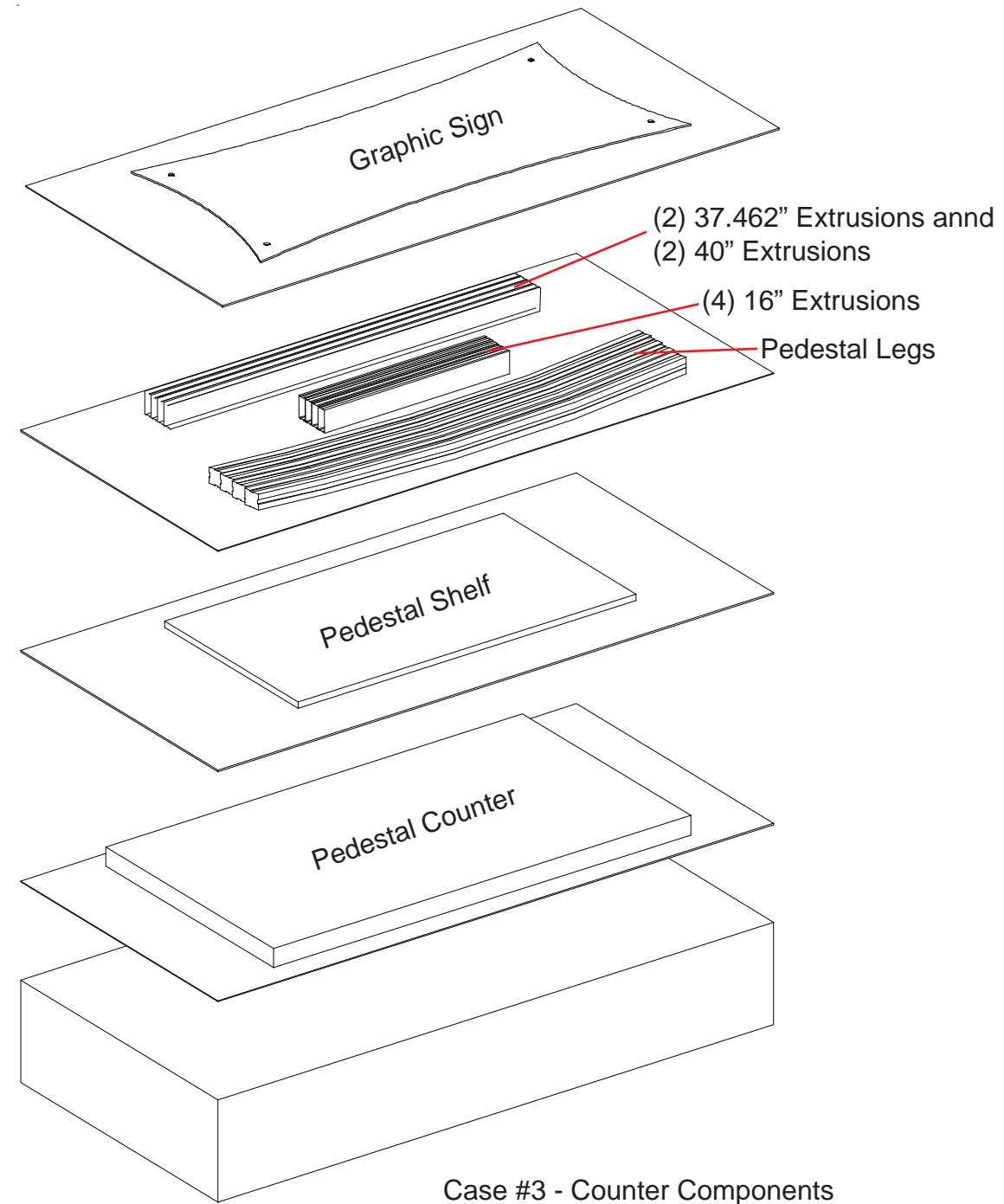
Case #1 - Backwall Components

- Additional Items:
- (2) Oval Bases
 - (1) Halogen Light
 - Graphics
 - Setup Hardware

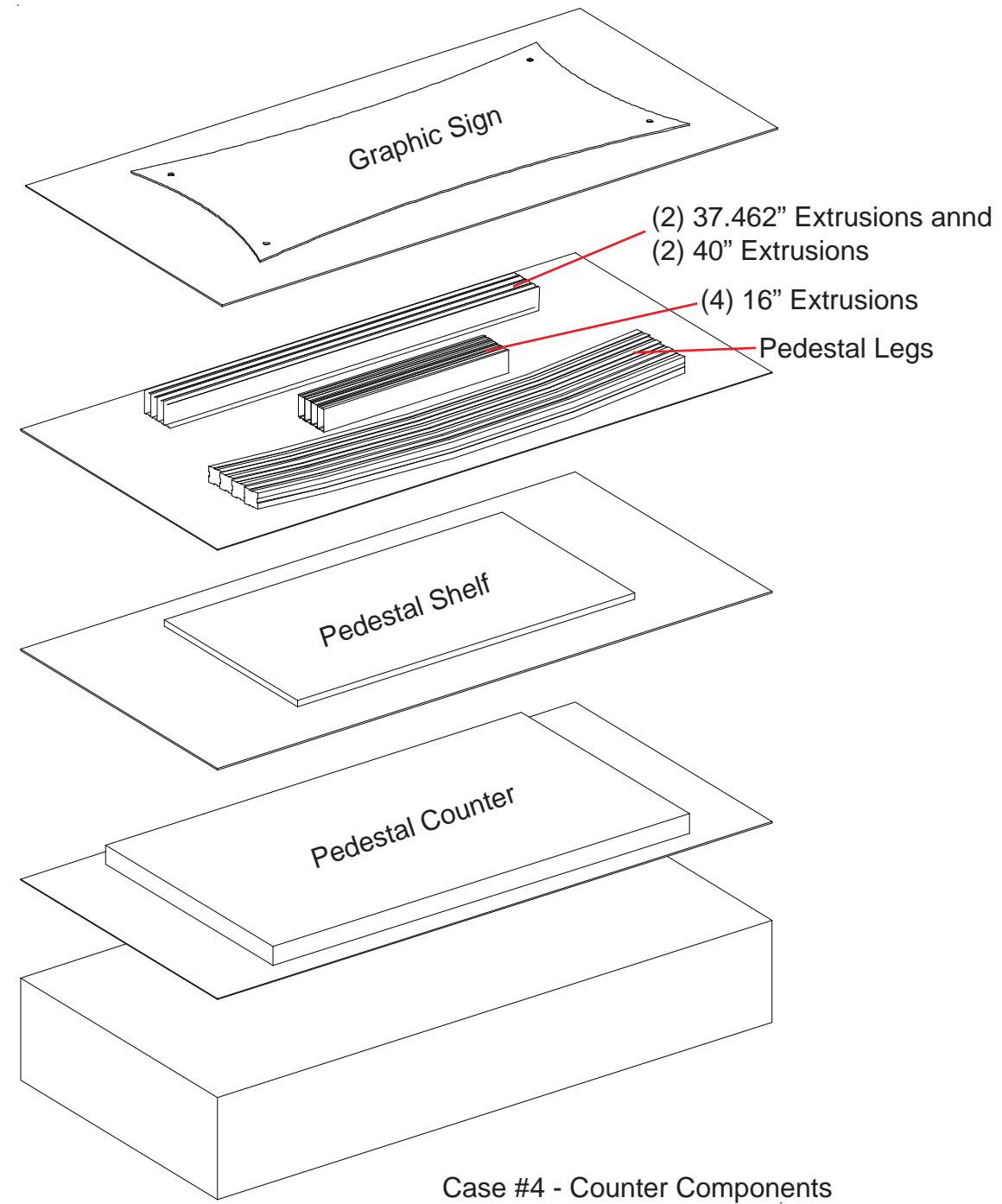
WHEN DISASSEMBLING ALUMINUM EXTRUSION, TIGHTEN ALL SETSCREWS AND LOCKS TO PREVENT LOSS DURING SHIPPING



WHEN DISASSEMBLING ALUMINUM EXTRUSION, TIGHTEN ALL SETSCREWS AND LOCKS TO PREVENT LOSS DURING SHIPPING



WHEN DISASSEMBLING ALUMINUM EXTRUSION, TIGHTEN ALL SETSCREWS AND LOCKS TO PREVENT LOSS DURING SHIPPING



WHEN DISASSEMBLING ALUMINUM EXTRUSION, TIGHTEN ALL SETSCREWS AND LOCKS TO PREVENT LOSS DURING SHIPPING