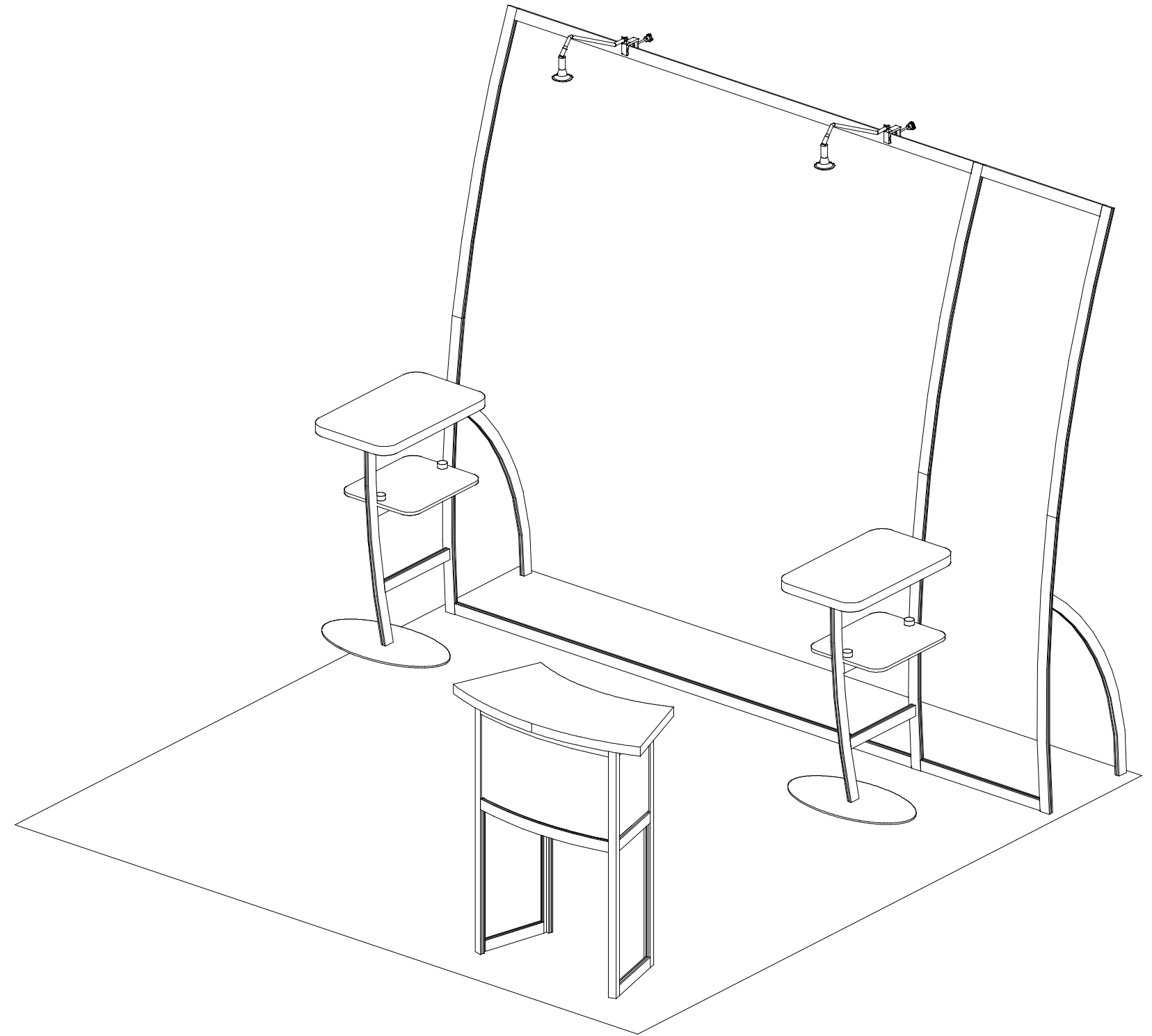
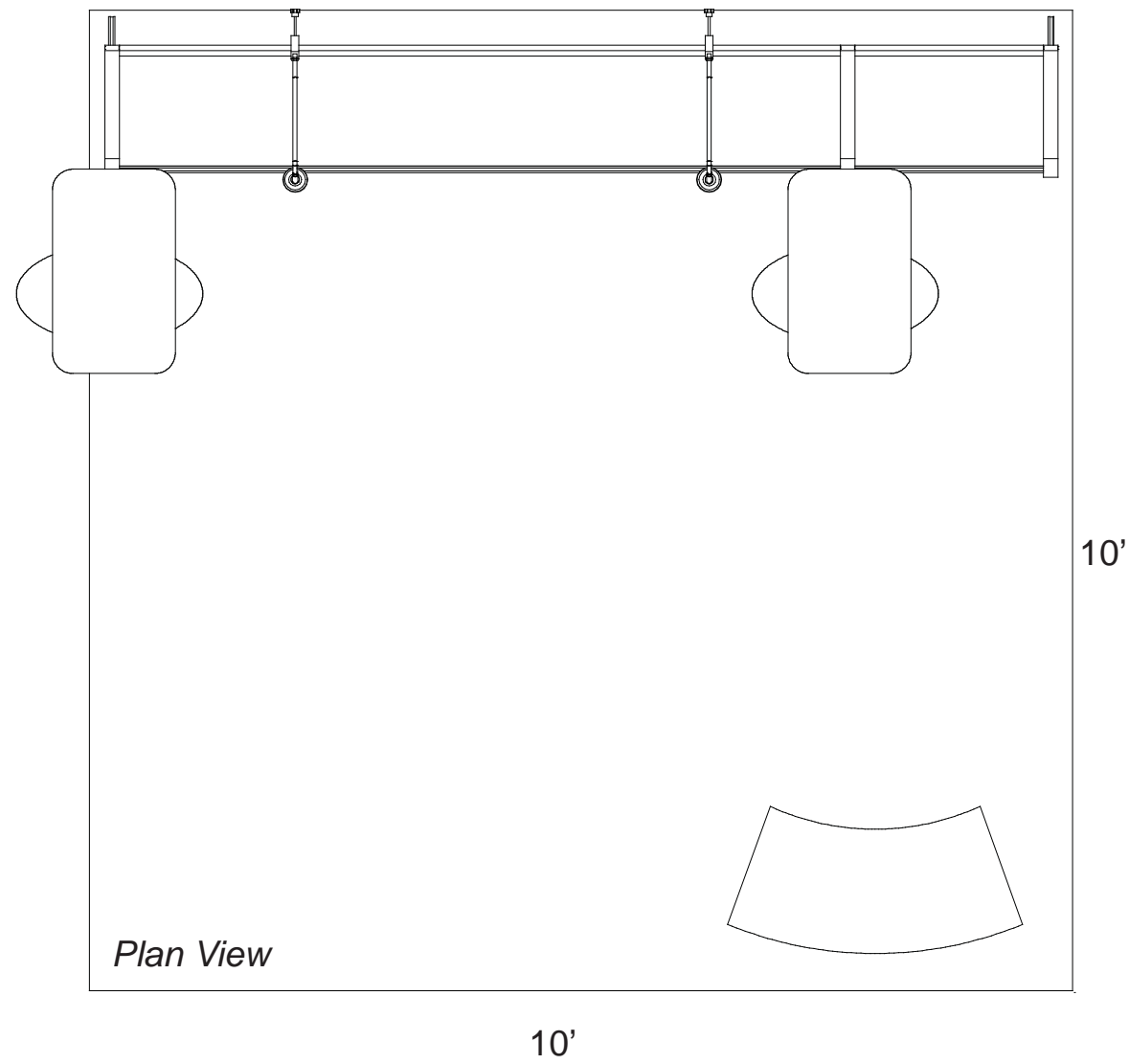


visionary™

MAGELLAN DESIGNS



WHEN DISASSEMBLING ALUMINUM EXTRUSION, TIGHTEN ALL SETSCREWS AND LOCKS TO PREVENT LOSS DURING SHIPPING

visionary™ IDESIGNS

Using Your Setup Instructions

The Visionary Designs Setup Instructions are created specifically for your configuration. They are laid out sequentially, including an exploded view of the entire display, and then a logical series of detailed steps to assemble the main structure and components. We encourage you to study the instructions **before** attempting to assemble your exhibit.

Each page reminds you to tighten the setscrews after disassembling your exhibit to prevent loss of the locks and setscrews (see below in RED). This is **VERY IMPORTANT**.

Cleaning and Packing Your Display

- 1) Use care when cleaning aluminum extrusion or acrylic inserts. Use only non-abrasive cleaners.
- 2) When cleaning laminate inserts or countertops, use mild cleansers and a soft material such as cotton.
- 3) Keep all display components away from extreme heat and long exposure to sunlight to avoid warping and fading.
- 4) Retain all packing material. It will make re-packing much easier and will reduce the likelihood of shipping damage.



The Tool

Most Visionary Designs exhibits can be assembled with the supplied Hex Key Tool. Occasionally, a flat head screwdriver may be required.



Detail A

Typical Connection



Typical Connection (cont'd)

Most horizontal extrusion connections have a patented expandable lock. This lock inserts into the groove of an opposing extrusion. Tightening the lock with the Hex Key Tool expands the lock and creates a strong positive connection.



Detail B

Numbered Label

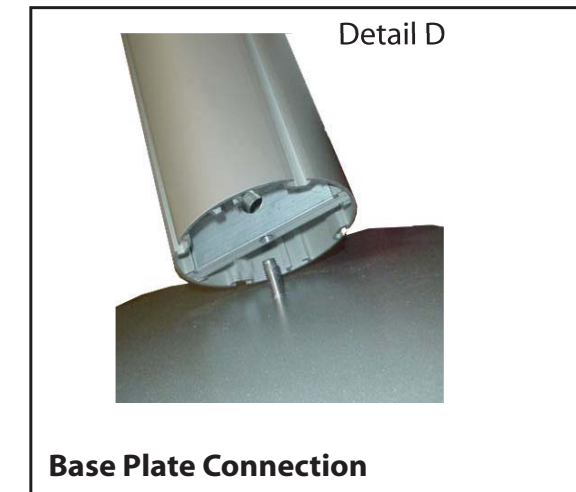
Each extrusion contains a numbered label which corresponds with setup instructions. The label is located within a groove of the extrusion (when possible). With Visionary Designs the labels contain Black numbers unless otherwise specified.



Detail C

Horizontal Inline Connection (remove only one setscrew)

Remove only (1) setscrew when disassembling. Replace setscrew in extrusion after assembling it. Before packing, replace setscrew in extrusion to avoid losing it.



Detail D

Base Plate Connection

Attach base plate to round or square vertical extrusion using the bolt provided. Be careful not to strip the threads.



Detail E

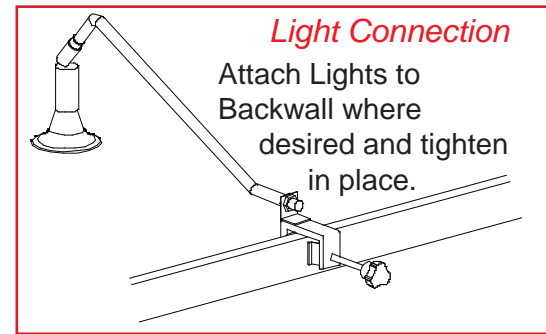
Vertical Connection
(remove only two setscrews)

When vertical extrusions are packed in portable cases rather than crates or tubs, they must be broken down into smaller sections which then require assembly.

Remove only (2) setscrews when disassembling. Replace setscrews in extrusion after assembling it. Before packing, replace setscrews in extrusion to avoid losing them.

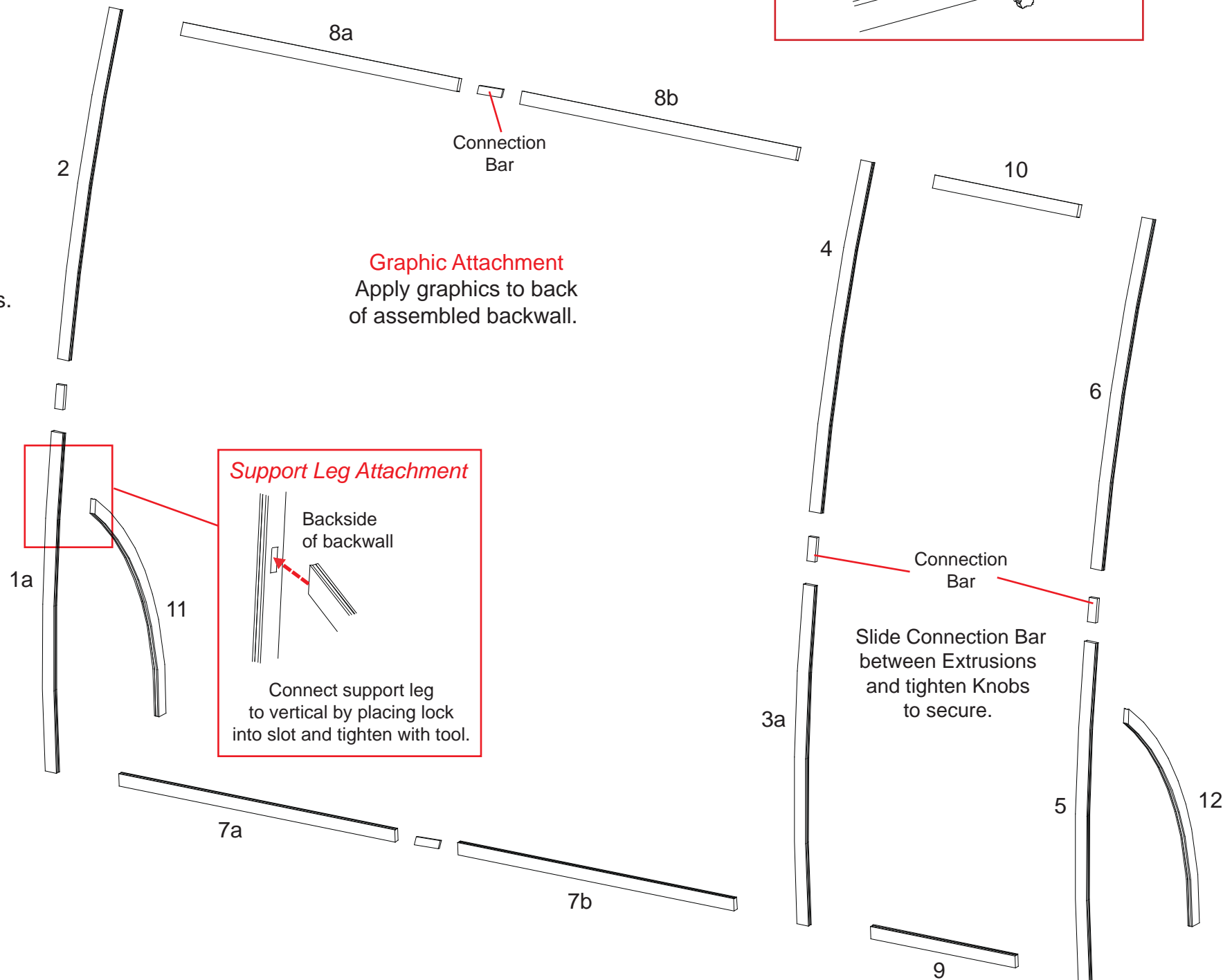
WHEN DISASSEMBLING ALUMINUM EXTRUSION, TIGHTEN ALL SETSCREWS AND LOCKS TO PREVENT LOSS DURING SHIPPING

Part Number	Qty	Description
1a	1	48.5" h Lower Curved Extrusion
2	1	48.5" h Upper Curved Extrusion
3a	1	48.5" h Lower Curved Extrusion
4	1	48.5" h Upper Curved Extrusion
5	1	48.5" h Lower Curved Extrusion
6	1	48.5" h Upper Curved Extrusion
7a/7b	1/1	44" w Horizontal Extrusion
8a/8b	1/1	44" w Horizontal Extrusion
9	1	23" w Horizontal Extrusion
10	1	23" w Horizontal Extrusion
11	1	Backwall Support Leg Extrusion
12	1	Backwall Support Leg Extrusion

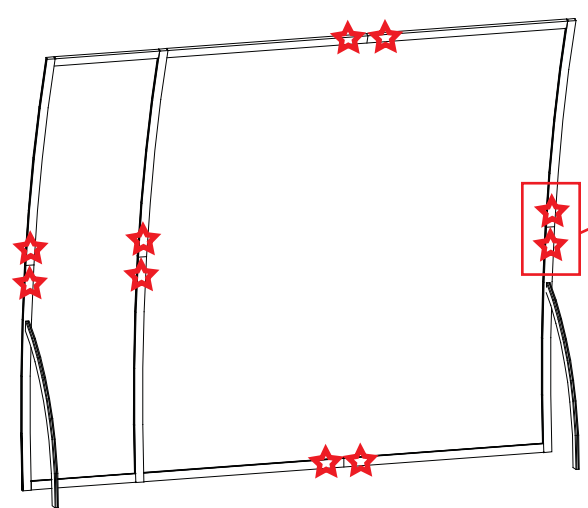


Steps

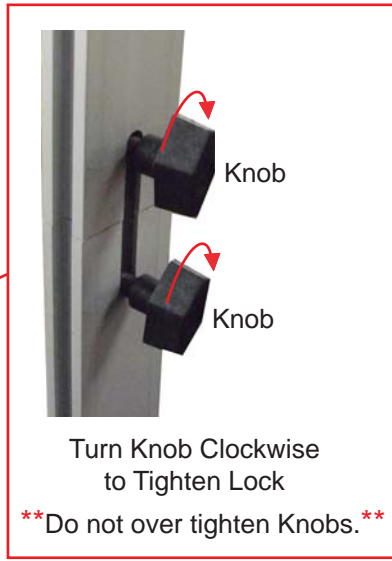
- 1) Connect backwall upper and lower verticals together [1a to 2, 3a to 4 and 5 to 6] using connection bars.
- 2) Connect horizontal extrusions together [7a to 7b and 8a to 8b] using connection bars.
- 3) Attach horizontal assemblies [7a/7b and 8a/8b] between vertical assemblies [1/2 and 3/4].
- 4) Attach horizontal extrusions [9 and 10] between vertical assemblies [3/4 and 5/6].
- 5) Attach support leg extrusions [11 and 12] to back of verticals [1 and 5], see leg attachment detail.



Rear View of Display



STAR indicates location of knobs on BACKSIDE of unit.



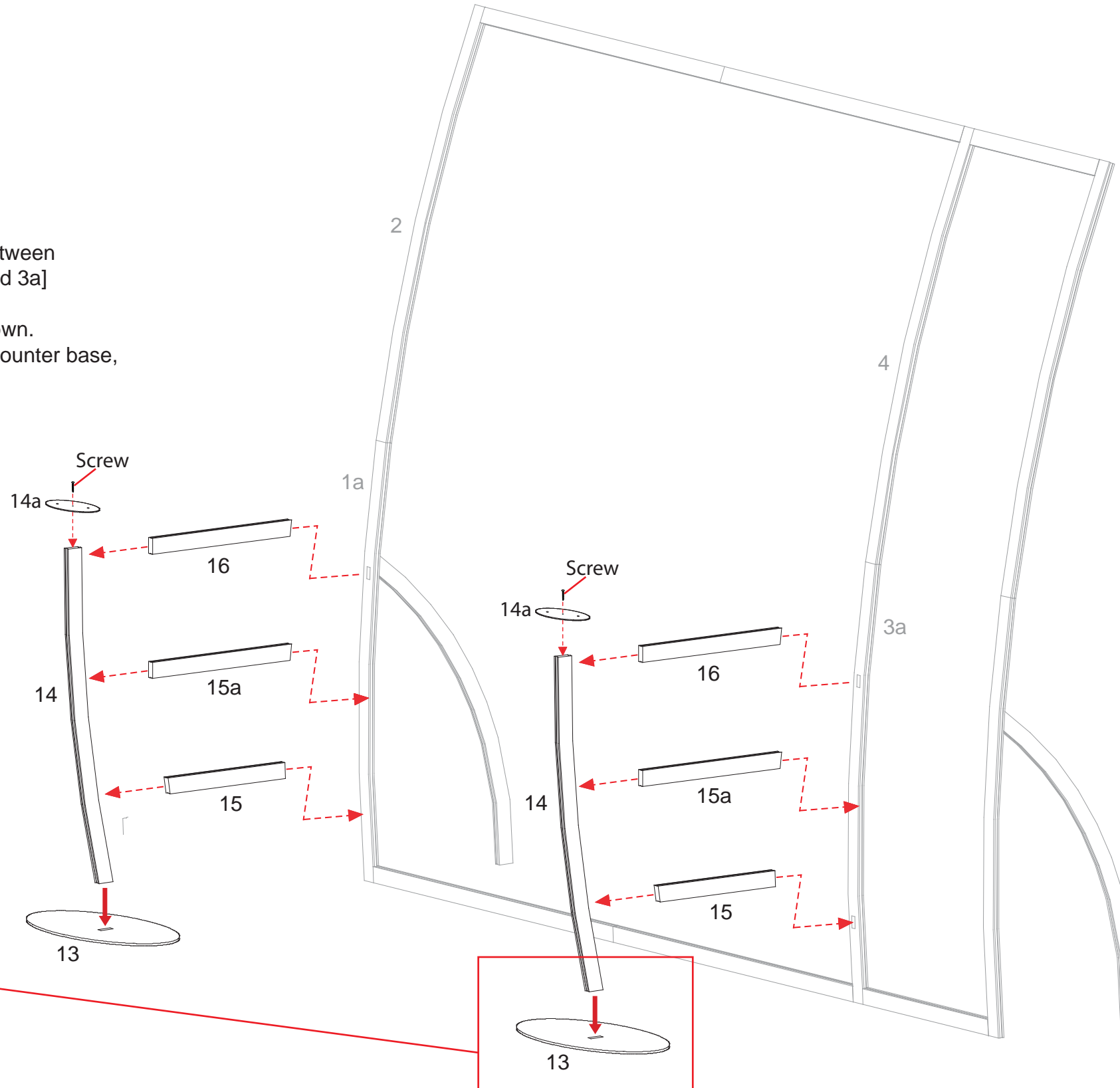
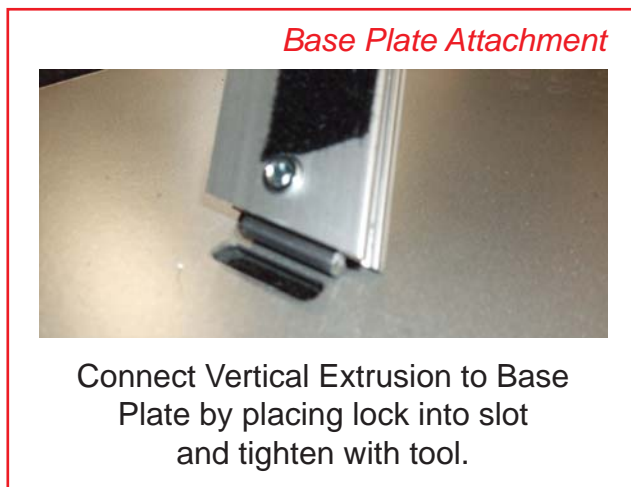
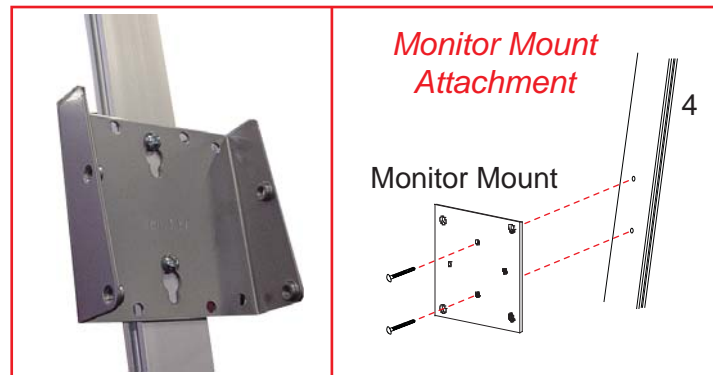
WHEN DISASSEMBLING ALUMINUM EXTRUSION, TIGHTEN ALL SETSCREWS AND LOCKS TO PREVENT LOSS DURING SHIPPING

866.652.2100

Part Number	Qty	Description
13	2	Base Plate
14	2	37.6"h Curved Vertical Extrusion
14a	2	Oval Flange Plate
15	2	18.31"w Horizontal Extrusion
15a	2	17.013"w Horizontal Extrusion
16	2	15.475"w Horizontal Extrusion

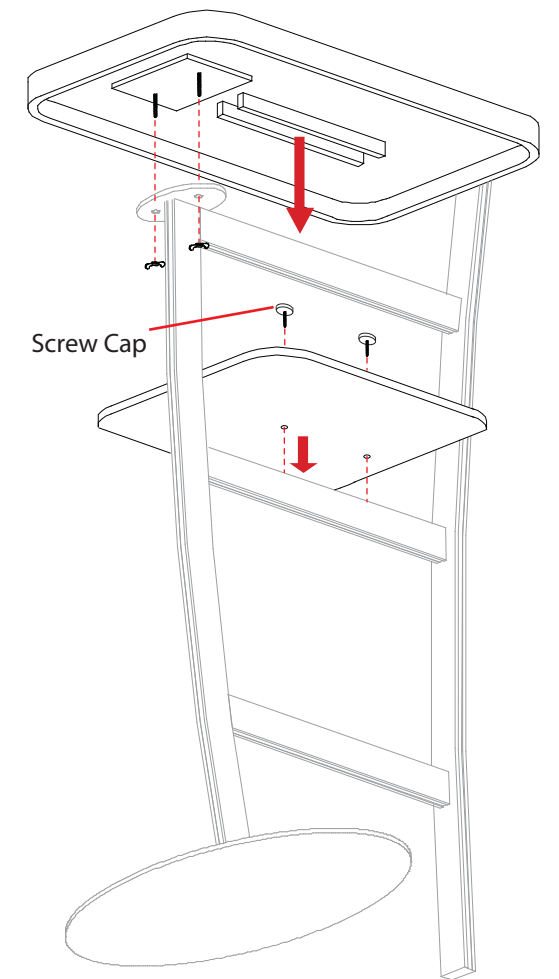
Steps

- 1) Attach curved verticals [14] to base plates [13], see Base Plate Attachment detail.
- 2) Attach horizontal extrusions [15, 15a and 16] between curved vertical [14] and backwall vertical [1a and 3a] where indicated.
- 3) Attach flange plate to top of verticals [14] as shown.
- 4) Place counter tops and shelves on assembled counter base, see Counter Attachment detail.
- 5) Attach monitor mount to assembled backwall.



Counter Top Attachment

Insert screws located on underside of counter into holes on flange plate and secure with wing nuts.



WHEN DISASSEMBLING ALUMINUM EXTRUSION, TIGHTEN ALL SETSCREWS AND LOCKS TO PREVENT LOSS DURING SHIPPING

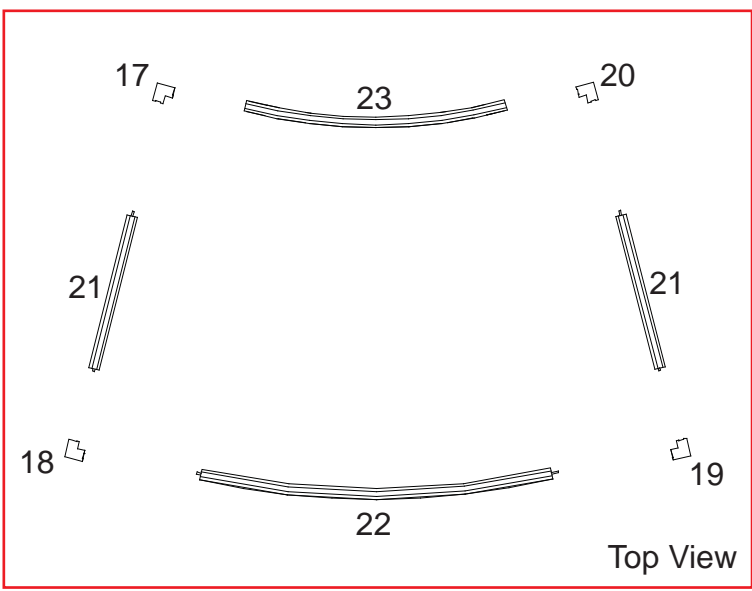
866.652.2100

Part Number	Qty	Description
17	1	41.5" h Corner Extrusion w/ Door Hinges
18	1	41.5" h Corner Extrusion
19	1	41.5" h Corner Extrusion
20	1	41.5" h Corner Extrusion w/ Door Stop
21/21a/21b	2/2/2	11" w Horizontal Extrusion
22	2	24.842" w Horizontal Extrusion
23	2	18.534" w Horizontal Extrusion

Steps

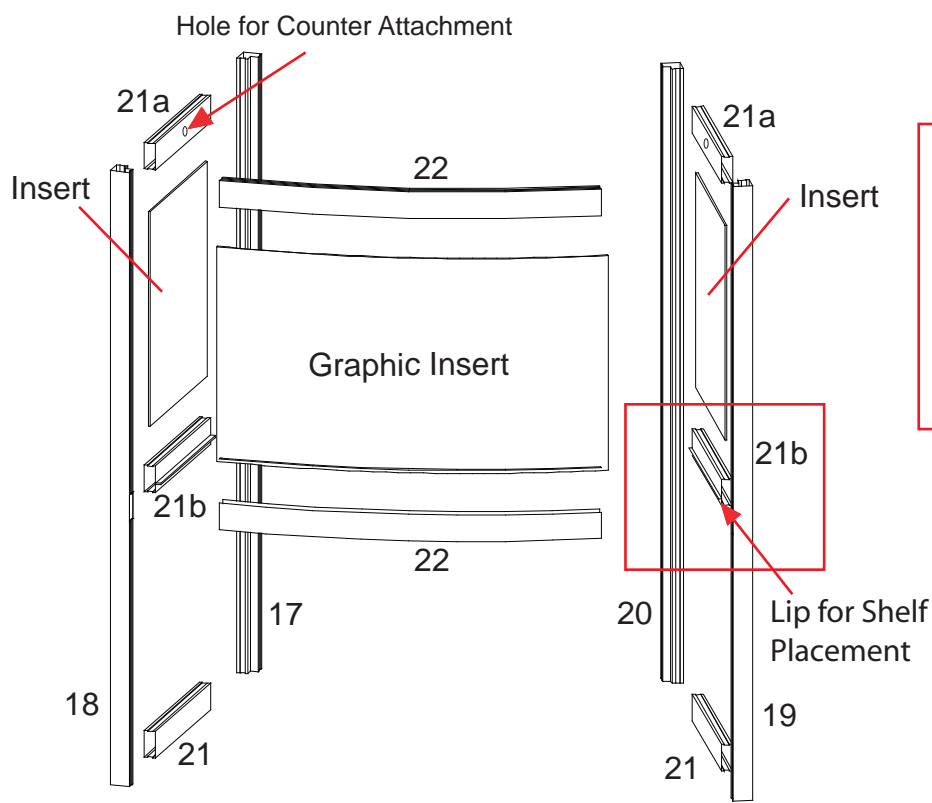
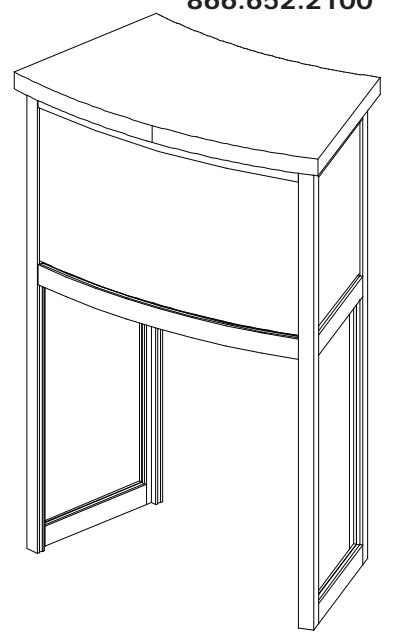
- 1) Attach horizontal extrusions [21, 21a and 21b] between corner extrusions [17&18 and 19&20], placing inserts where indicated, see Top View for extrusion orientation.
- 2) Attach horizontal extrusions [22] between corner extrusions [18 and 19], placing insert between horizontals as shown.

Note: Pedestal Sides should remain assembled when shipping.

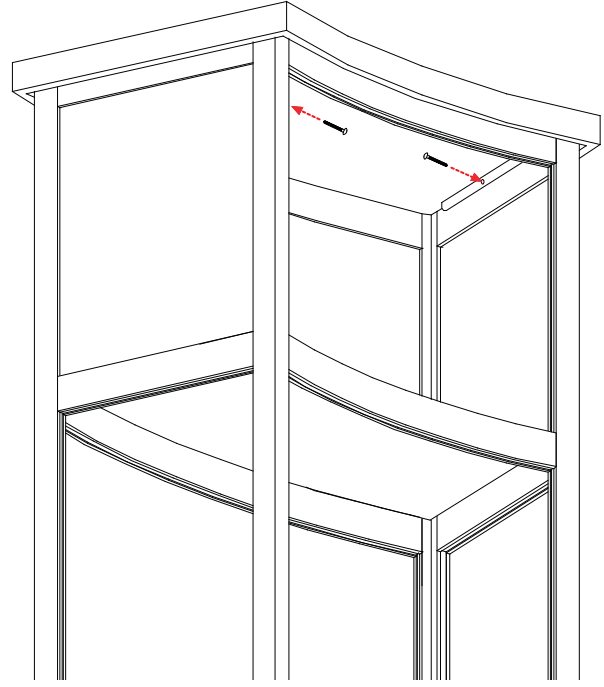
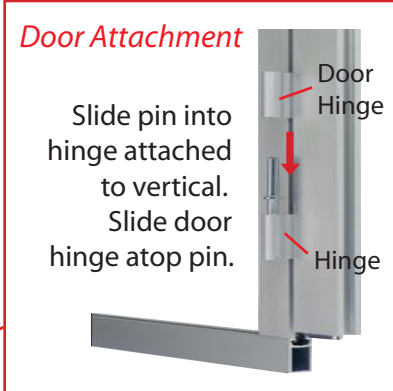
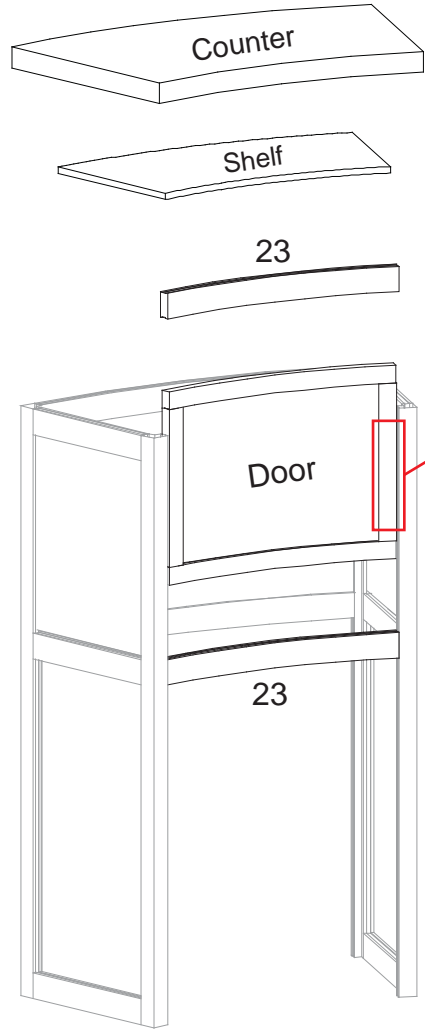


Steps (Cont'd):

- 3) Attach curved horizontal extrusions [23] between corner extrusions [17 and 20], attaching door between curved horizontals, see Door Attachment details.
- 4) Rest shelf atop lips on extrusion [21b].
- 5) Set counter top atop assembled base and secure inside of counter top with thumbscrews.

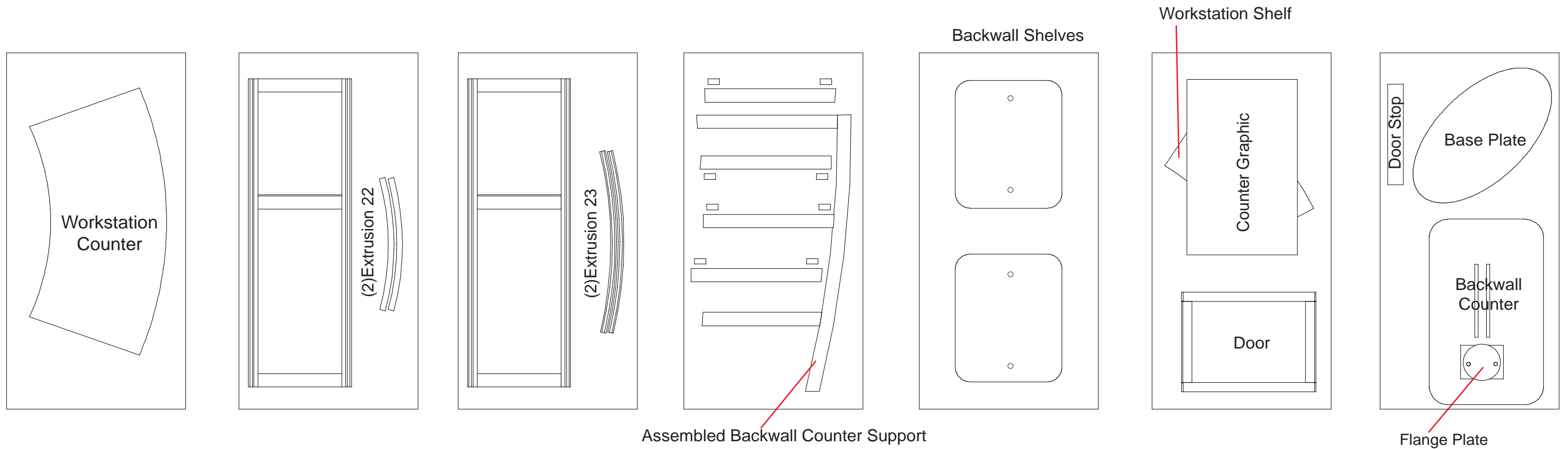


Extrusion Details:
Extrusions 21b have a lip for the floor to rest upon.



Use door opening to secure counter top using thumbscrews provided.

WHEN DISASSEMBLING ALUMINUM EXTRUSION, TIGHTEN ALL SETSCREWS AND LOCKS TO PREVENT LOSS DURING SHIPPING



WHEN DISASSEMBLING ALUMINUM EXTRUSION, TIGHTEN ALL SETSCREWS AND LOCKS TO PREVENT LOSS DURING SHIPPING