

WHEN DISASSEMBLING ALUMINUM EXTRUSION, TIGHTEN ALL SETSCREWS AND LOCKS TO PREVENT LOSS DURING SHIPPING

visionary™ IDESIGNS

Using Your Setup Instructions

The Visionary Designs Setup Instructions are created specifically for your configuration. They are laid out sequentially, including an exploded view of the entire display, and then a logical series of detailed steps to assemble the main structure and components. We encourage you to study the instructions **before** attempting to assemble your exhibit.

Each page reminds you to tighten the setscrews after disassembling your exhibit to prevent loss of the locks and setscrews (see below in RED). This is **VERY IMPORTANT**.

Cleaning and Packing Your Display

- 1) Use care when cleaning aluminum extrusion or acrylic inserts. Use only non-abrasive cleaners.
- 2) When cleaning laminate inserts or countertops, use mild cleansers and a soft material such as cotton.
- 3) Keep all display components away from extreme heat and long exposure to sunlight to avoid warping and fading.
- 4) Retain all packing material. It will make re-packing much easier and will reduce the likelihood of shipping damage.



The Tool

Most Visionary Designs exhibits can be assembled with the supplied Hex Key Tool. Occasionally, a flat head screwdriver may be required.

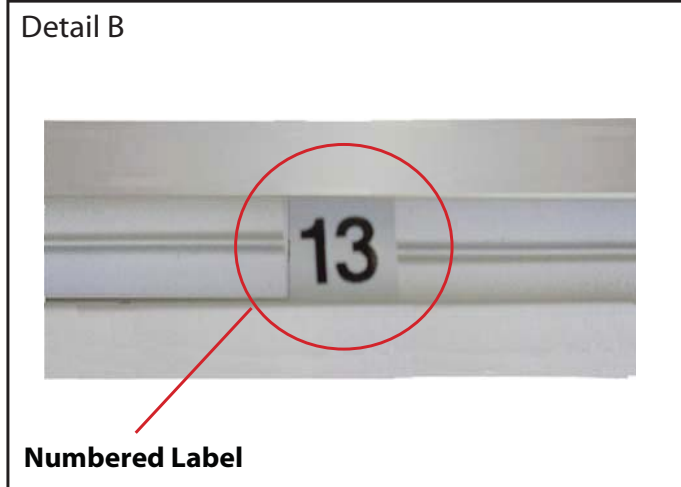


Typical Connection

Most horizontal extrusion connections have a patented expandable lock. This lock inserts into the groove of an opposing extrusion. Tightening the lock with the Hex Key Tool expands the lock and creates a strong positive connection.



Typical Connection (cont'd)



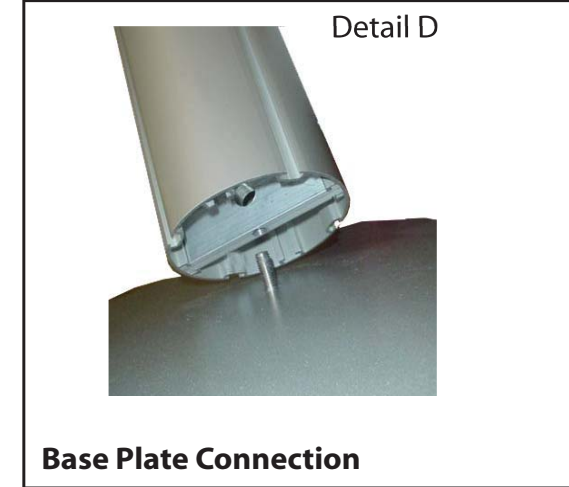
Numbered Label

Each extrusion contains a numbered label which corresponds with setup instructions. The label is located within a groove of the extrusion (when possible). With Visionary Designs the labels contain Black numbers unless otherwise specified.



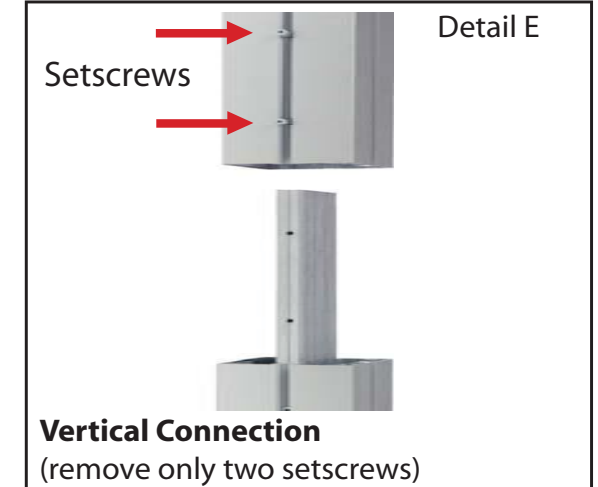
Horizontal Inline Connection (remove only one setscrew)

Remove only (1) setscrew when disassembling. Replace setscrew in extrusion after assembling it. Before packing, replace setscrew in extrusion to avoid losing it.



Base Plate Connection

Attach base plate to round or square vertical extrusion using the bolt provided. Be careful not to strip the threads.



Vertical Connection
(remove only two setscrews)

When vertical extrusions are packed in portable cases rather than crates or tubs, they must be broken down into smaller sections which then require assembly.

Remove only (2) setscrews when disassembling. Replace setscrews in extrusion after assembling it. Before packing, replace setscrews in extrusion to avoid losing them.

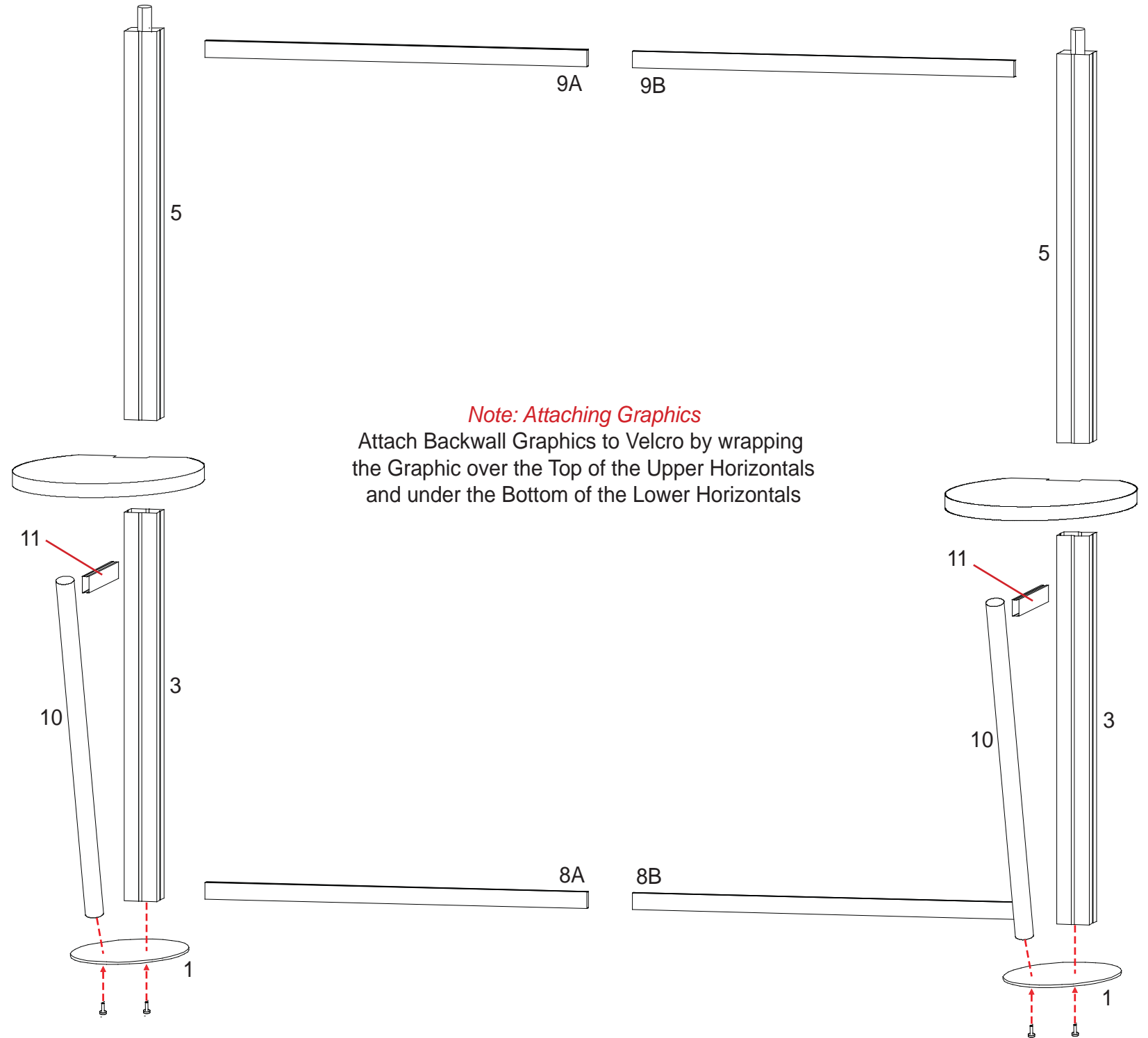
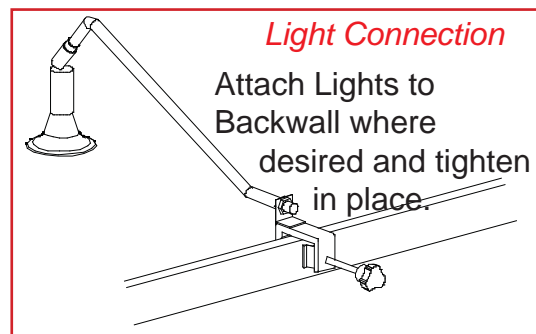
WHEN DISASSEMBLING ALUMINUM EXTRUSION, TIGHTEN ALL SETSCREWS AND LOCKS TO PREVENT LOSS DURING SHIPPING

866.652.2100

Part Number	Qty for Step	Description
1	2	Base Plates
3	2	42" h Lower Vertical extrusion
5	2	42" h Upper Vertical extrusion
8A/8B	2	42" Horizontal w/ Velcro attached to Top of member
9A/9B	2	42" Horizontal w/ Velcro attached to Bottom of member
10	2	40" Round Oval extrusion - Workstation Counter support
11	2	19" Tapered Horizontal extrusion - Workstation Counter support

Steps

- 1) Attach 42" h Vertical extrusions [3] and 40" Round Oval extrusion - Workstation Counter supports [10] to the Oval base plates [1].
- 2) Attach 42" h Upper Vertical extrusions [5] atop of Lower Vertical extrusion [3].
- 3) Assemble all Horizontal extrusions [8A to 8B and 9A to 9B].
- 4) Attach 19" Tapered Horizontal extrusion - Workstation Counter support [11] to 84" h Vertical [3/5].
- 5) Attach 84" Lower Horizontal assemblies [8A/8B] between Vertical assemblies [3/5] as shown.
note: Velcro on Lower Horizontals must face UP.
- 6) Attach 84" Upper Horizontal assemblies [9A/9B] between Vertical assemblies [3/5] as shown.
note: Velcro on Upper Horizontals must face DOWN.
- 7) Place Counter tops with Thumbscrews onto horizontal extrusion [11].

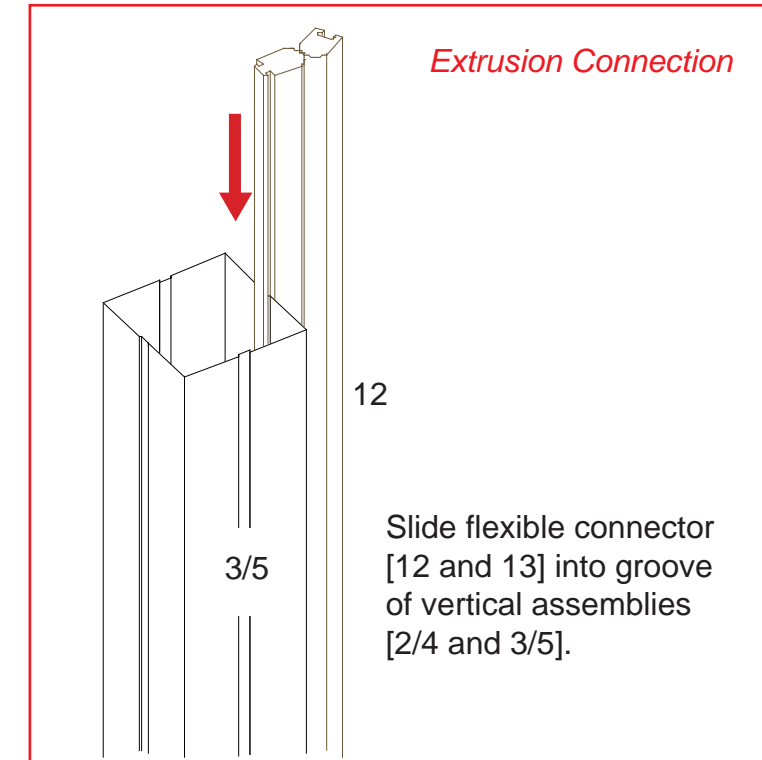
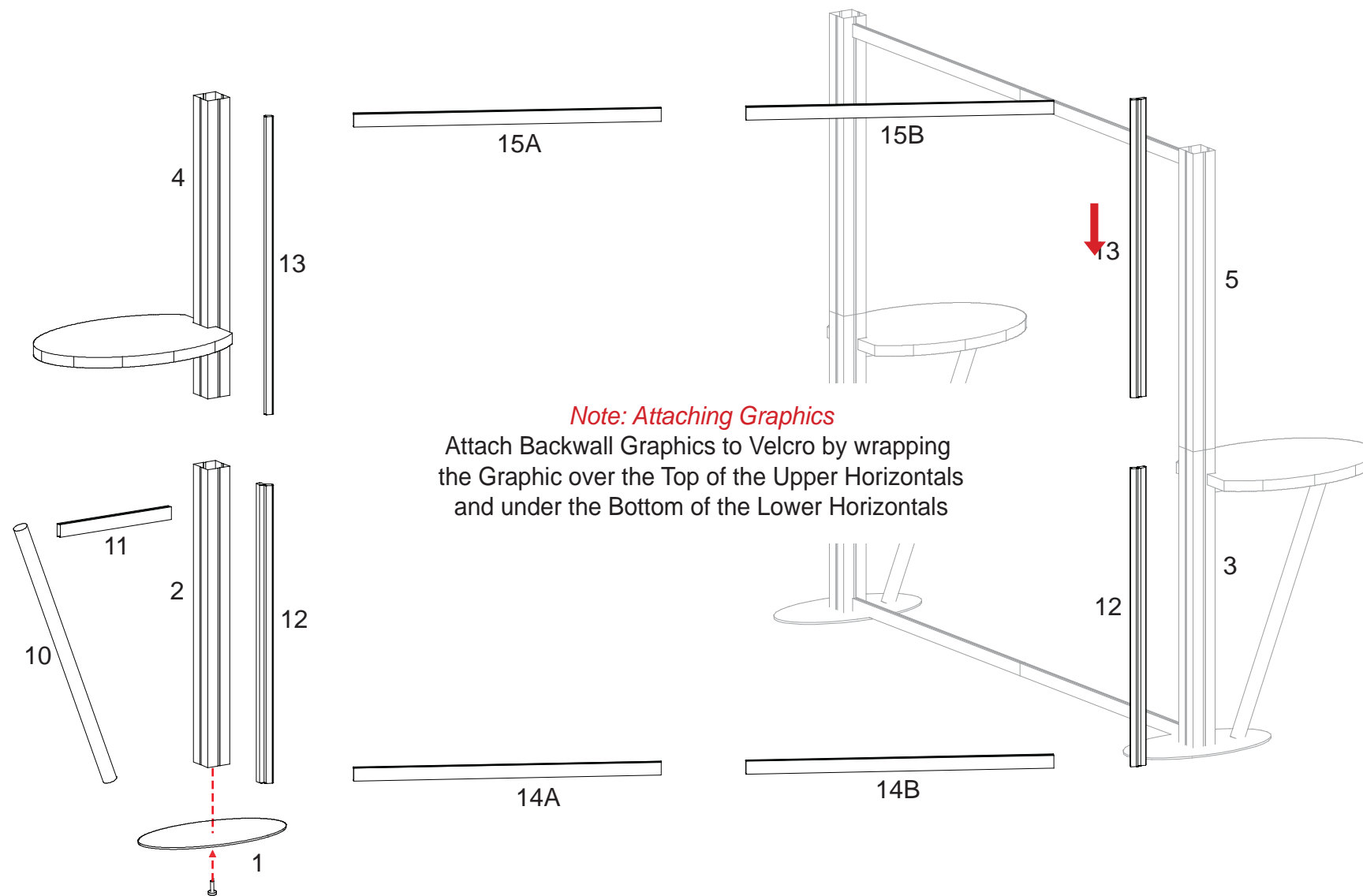


WHEN DISASSEMBLING ALUMINUM EXTRUSION, TIGHTEN ALL SETSCREWS AND LOCKS TO PREVENT LOSS DURING SHIPPING

Item	Quantity	Description
1	1	Oval Base Plates
2	1	42" h Square Vertical Extrusion
4	1	42" h Square Vertical Extrusion
10	1	40" h Round Vertical Extrusion
11	1	19" Tapered Horizontal Extrusion
12	2	42" h lower Flexible Connector
13	2	42" h Upper Flexible Connector
14a/14b	1/1	42" Horizontal w/ Velcro attached to Top of member
15a/15b	1/1	42" Horizontal w/ Velcro attached to Bottom of member

Steps:

- 1) Attach base plates [1] to vertical extrusion [2].
- 2) Attach extrusions [10] to base plates [1] as shown.
- 3) Assemble vertical extrusions; attach [4 to 2].
- 4) Assemble horizontal extrusions as shown: attach [14A to 14B and 15A to 15B].
- 5) Slide flexible connectors [12 and 13] into groove of vertical assemblies.
- 6) Attach assembled horizontal extrusions between flexible connectors.
- 7) Attach horizontal extrusions [11] between vertical extrusion [2] and round vertical extrusions [10], as seen below.
- 8) Place counters atop extrusions [11], with notch toward the square vertical extrusions, then tighten thumbscrews.

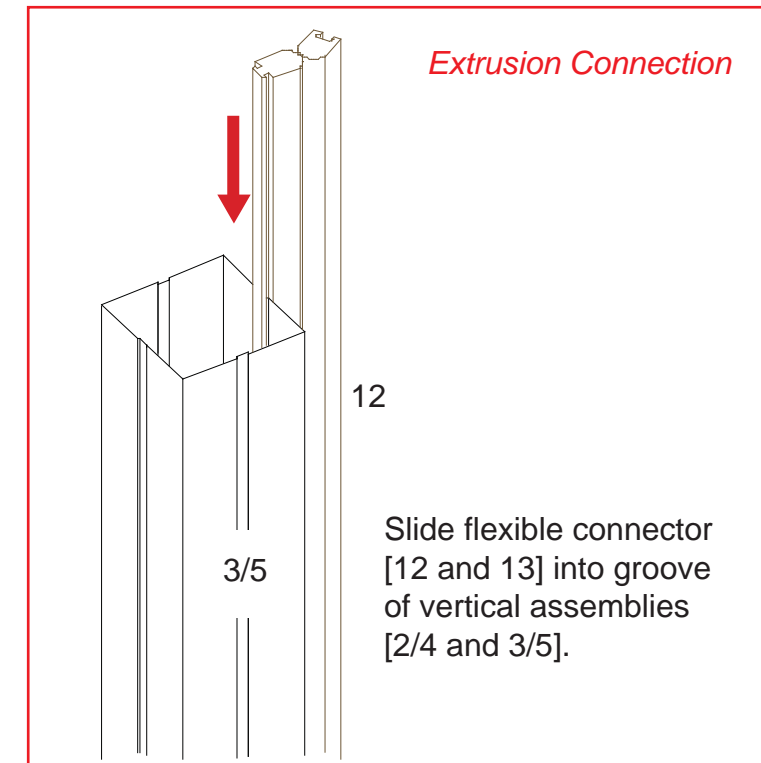
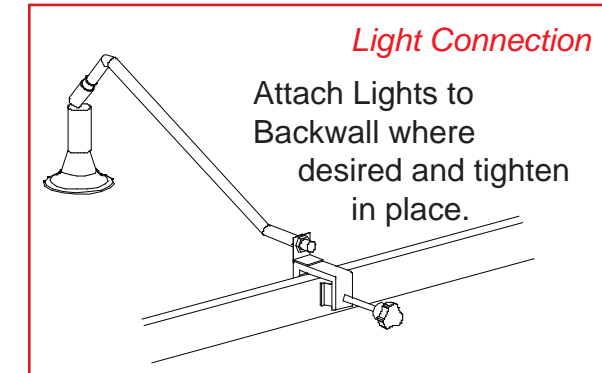
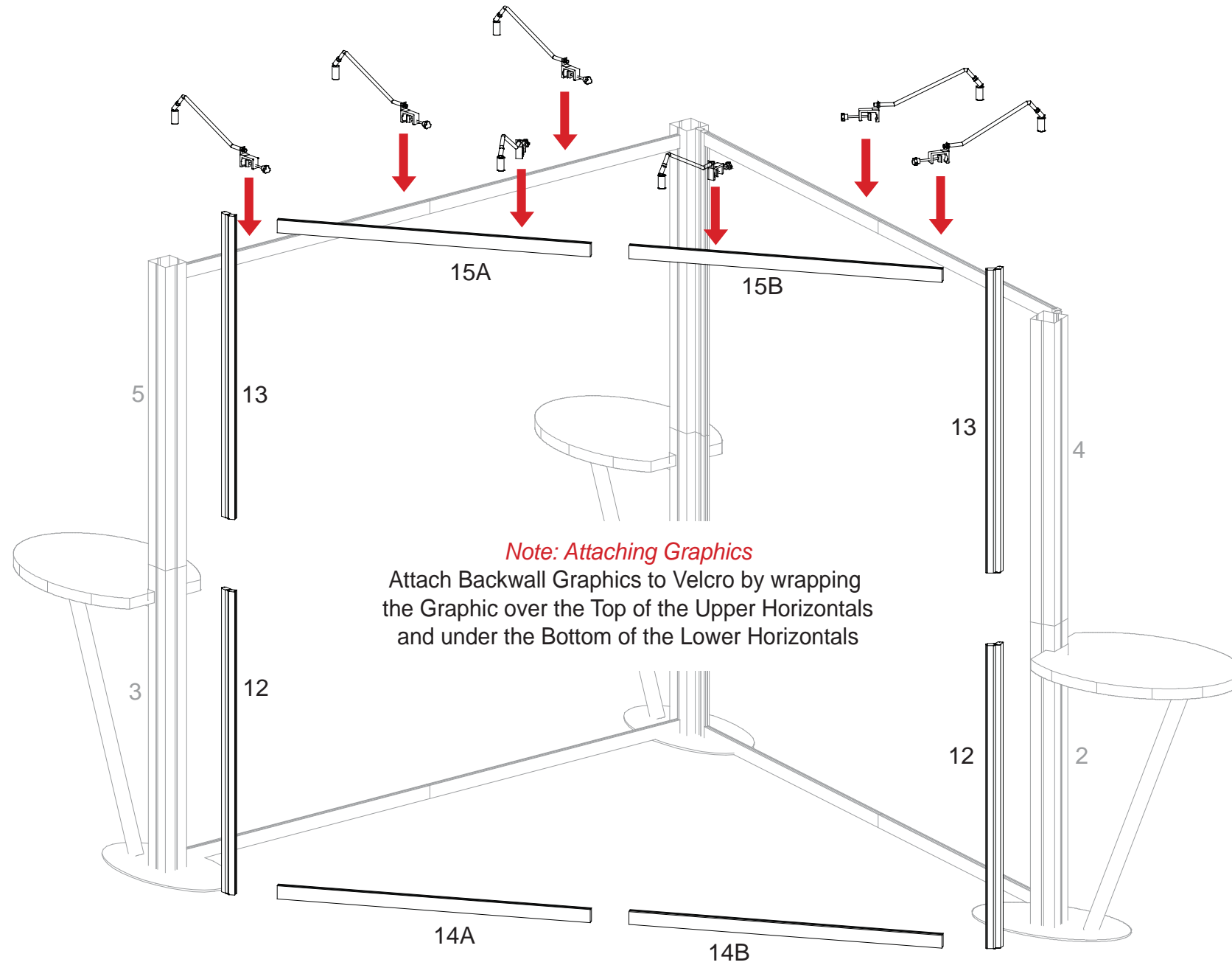


WHEN DISASSEMBLING ALUMINUM EXTRUSION, TIGHTEN ALL SETSCREWS AND LOCKS TO PREVENT LOSS DURING SHIPPING

Item	Quantity	Description
12	2	42" h lower Flexible Connector
13	2	42" h Upper Flexible Connector
14a/14b	1/1	42" Horizontal w/ Velcro attached to Top of member
15a/15b	1/1	42" Horizontal w/ Velcro attached to Bottom of member

Steps:

- 1) Assemble horizontal extrusions as shown: attach [14A to 14B and 15A to 15B].
- 2) Slide flexible connectors [12 and 13] into groove of vertical assemblies.
- 3) Attach assembled horizontal extrusions between flexible connectors.



WHEN DISASSEMBLING ALUMINUM EXTRUSION, TIGHTEN ALL SETSCREWS AND LOCKS TO PREVENT LOSS DURING SHIPPING



Using Your Setup Instructions

The Aero Overhead Sign Setup Instructions are created specifically for your configuration. They include an exploded view of the frame which is sequentially numbered. We encourage you to study the instructions before attempting to assemble your exhibit.

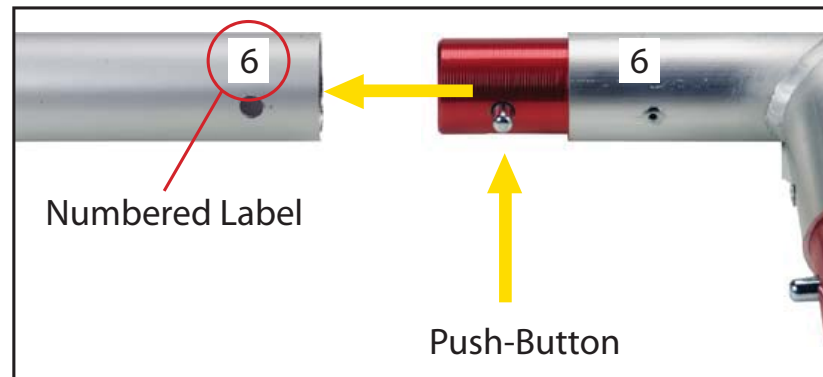
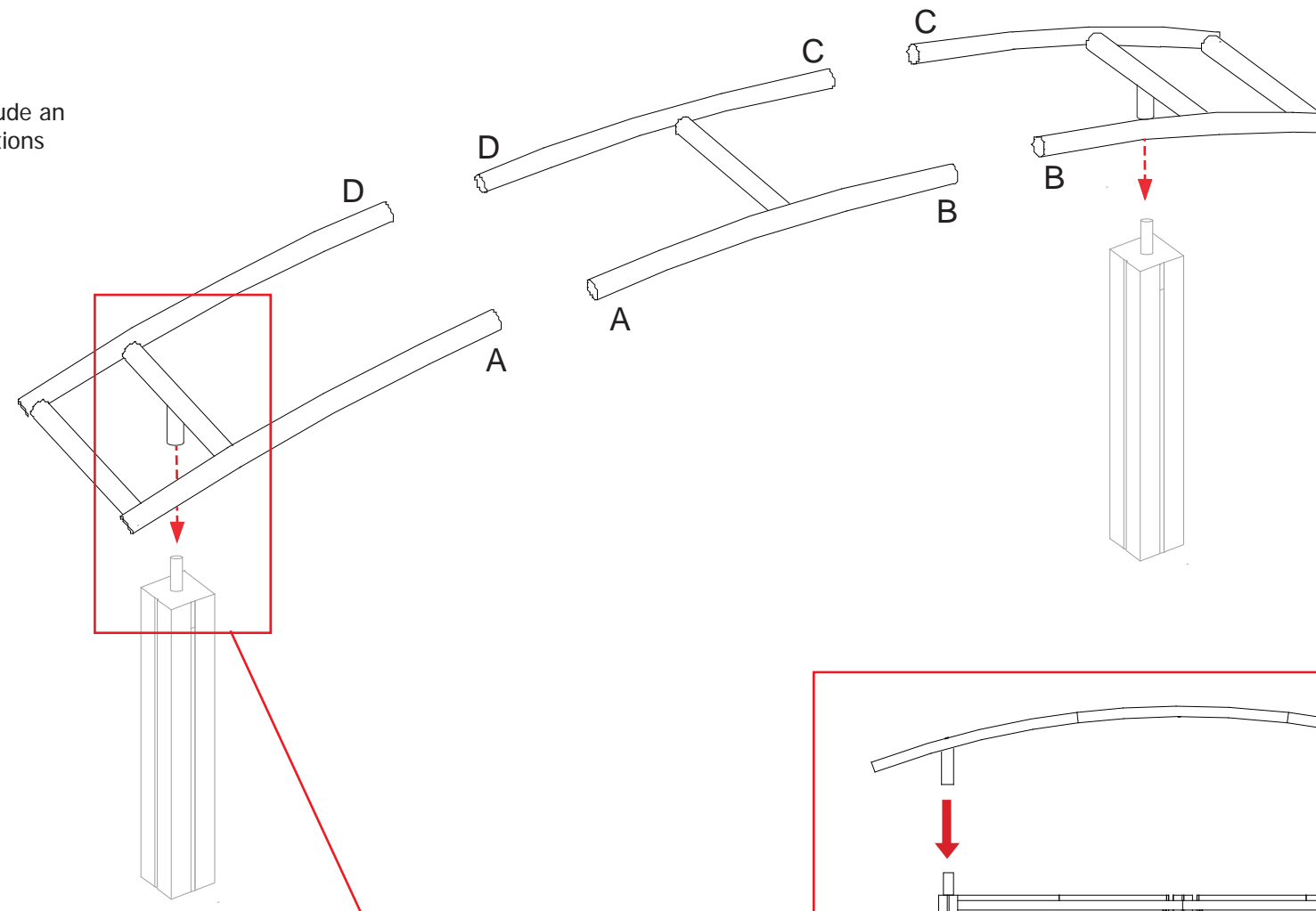
Connections are kept very simple: no tools. Everything assembles with push-button connectors and pre-connected horizontal sections.

Cleaning and Packing Your Display

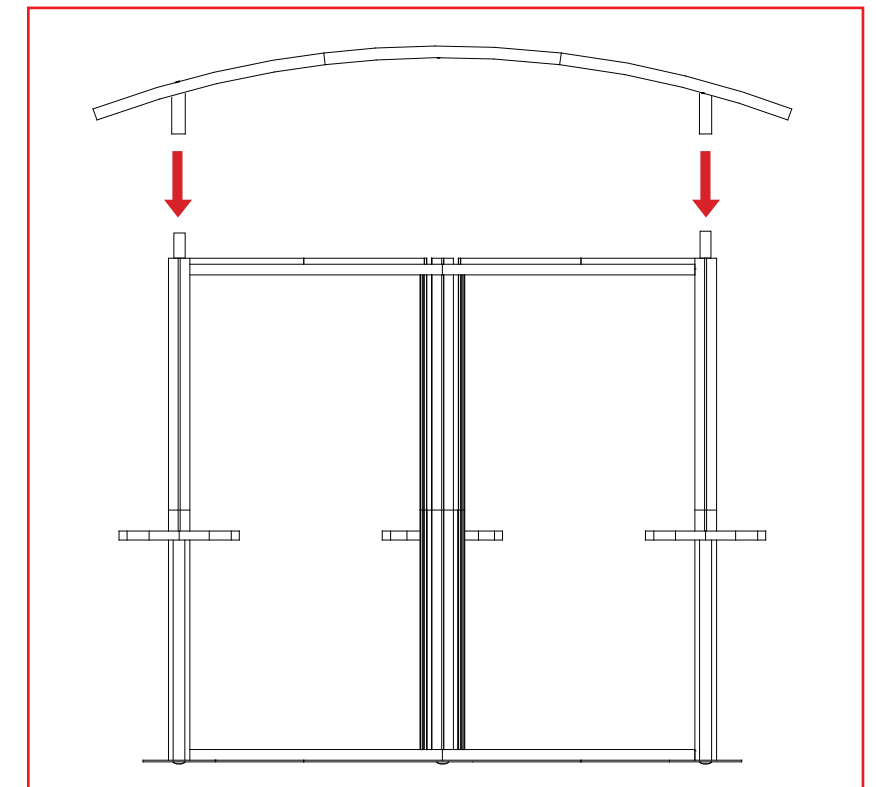
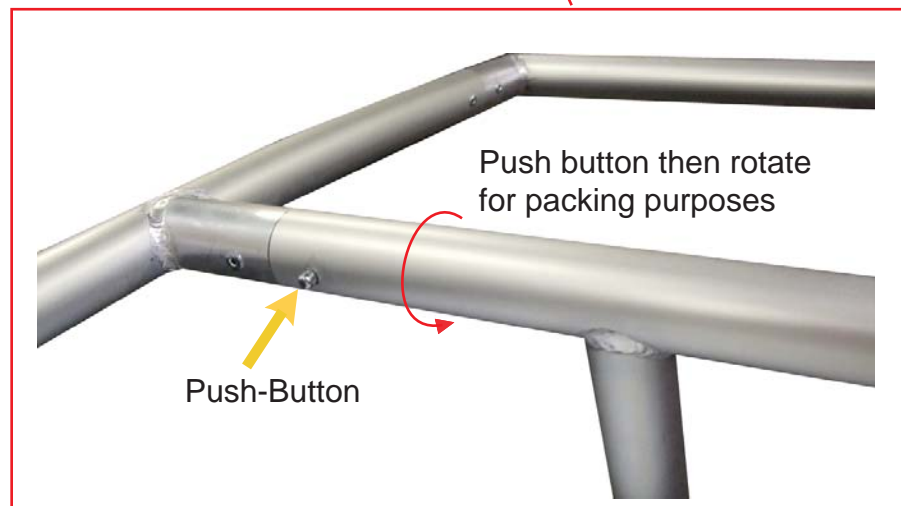
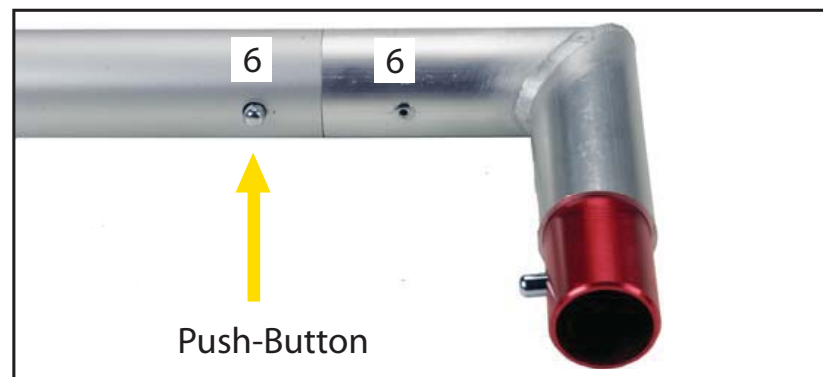
- 1) Use care when cleaning aluminum extrusion or acrylic inserts. Use only non-abrasive cleaners.
- 2) Retain all packing material. It will make re-packing much easier and will reduce the likelihood of shipping damage.

Steps:

- 1) Connect canopy pieces together as shown.
- 2) Apply pillow case graphic to assembled canopy



Connections are made by holding the button down and sliding the red tube into opposing tube until the connection is made. To disassemble push button and pull or twist extrusions apart.

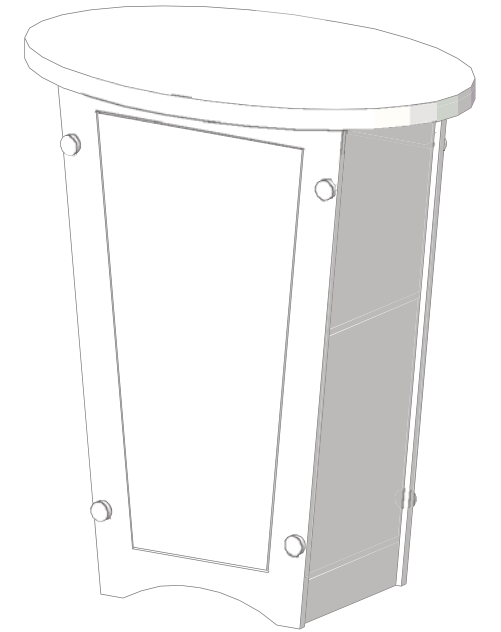


WHEN DISASSEMBLING ALUMINUM EXTRUSION, TIGHTEN ALL SETSCREWS AND LOCKS TO PREVENT LOSS DURING SHIPPING

866.652.2100

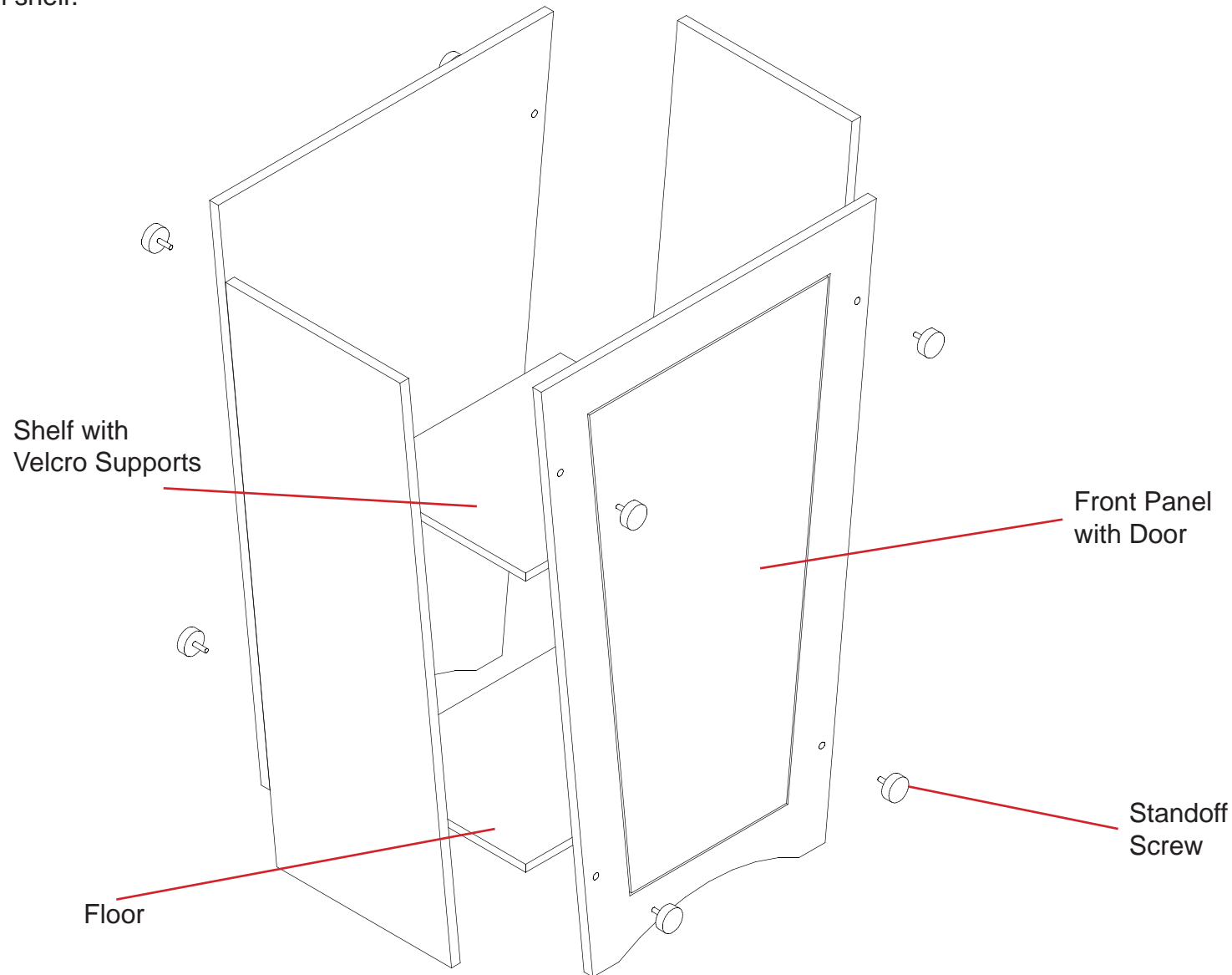
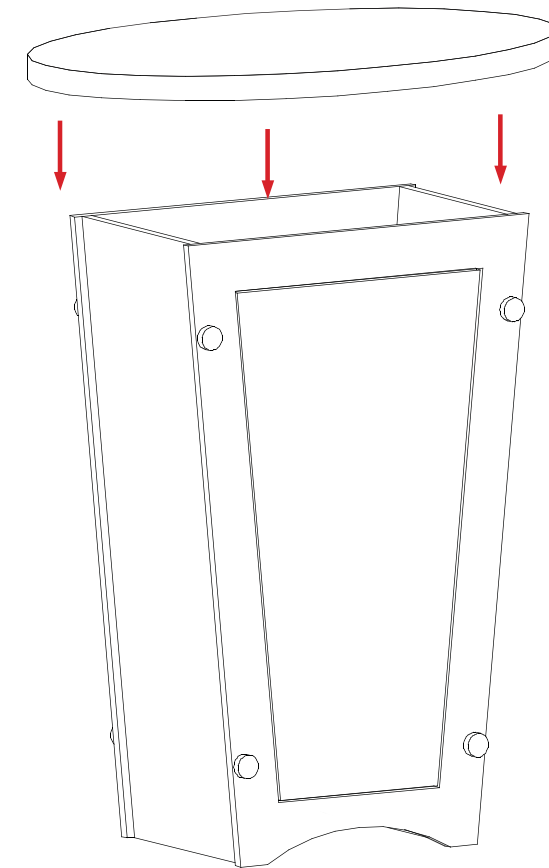
Setup Instructions:

- A) Use standoff screws to secure the front panel with door and back panel of the pedestal to the side panels.
- B) After assembling front, back, and side panels, slide floor into the bottom of the pedestal. The floor will sit on pins on the inside of the side panels.
- C) After floor is in place, use velcro attachments to install shelf.

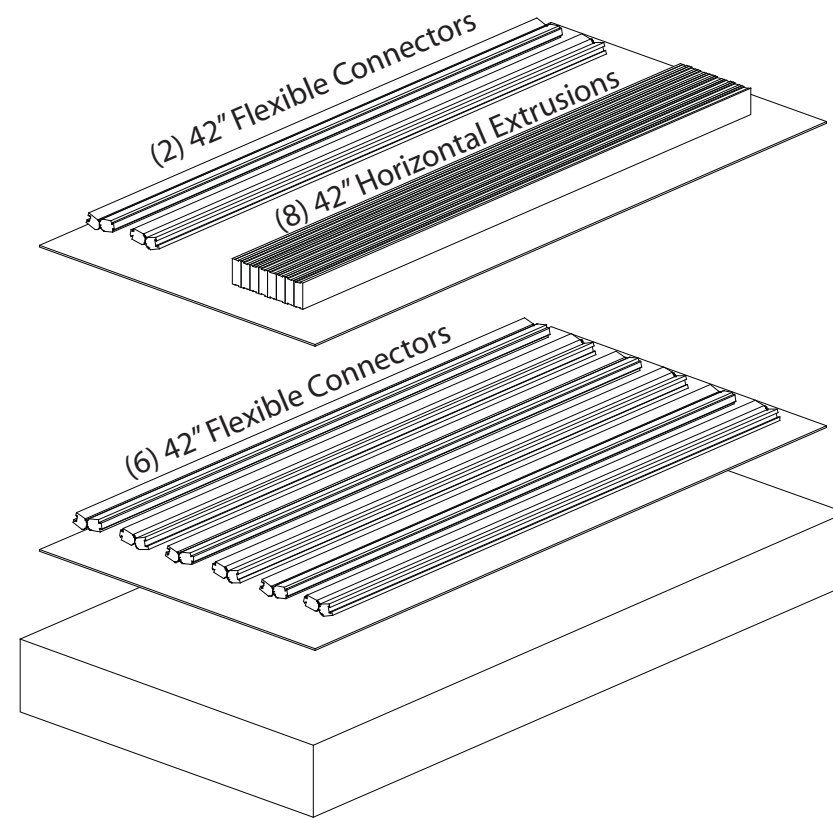


QTY. 2

Attach the oval counter top to the pedestal base.

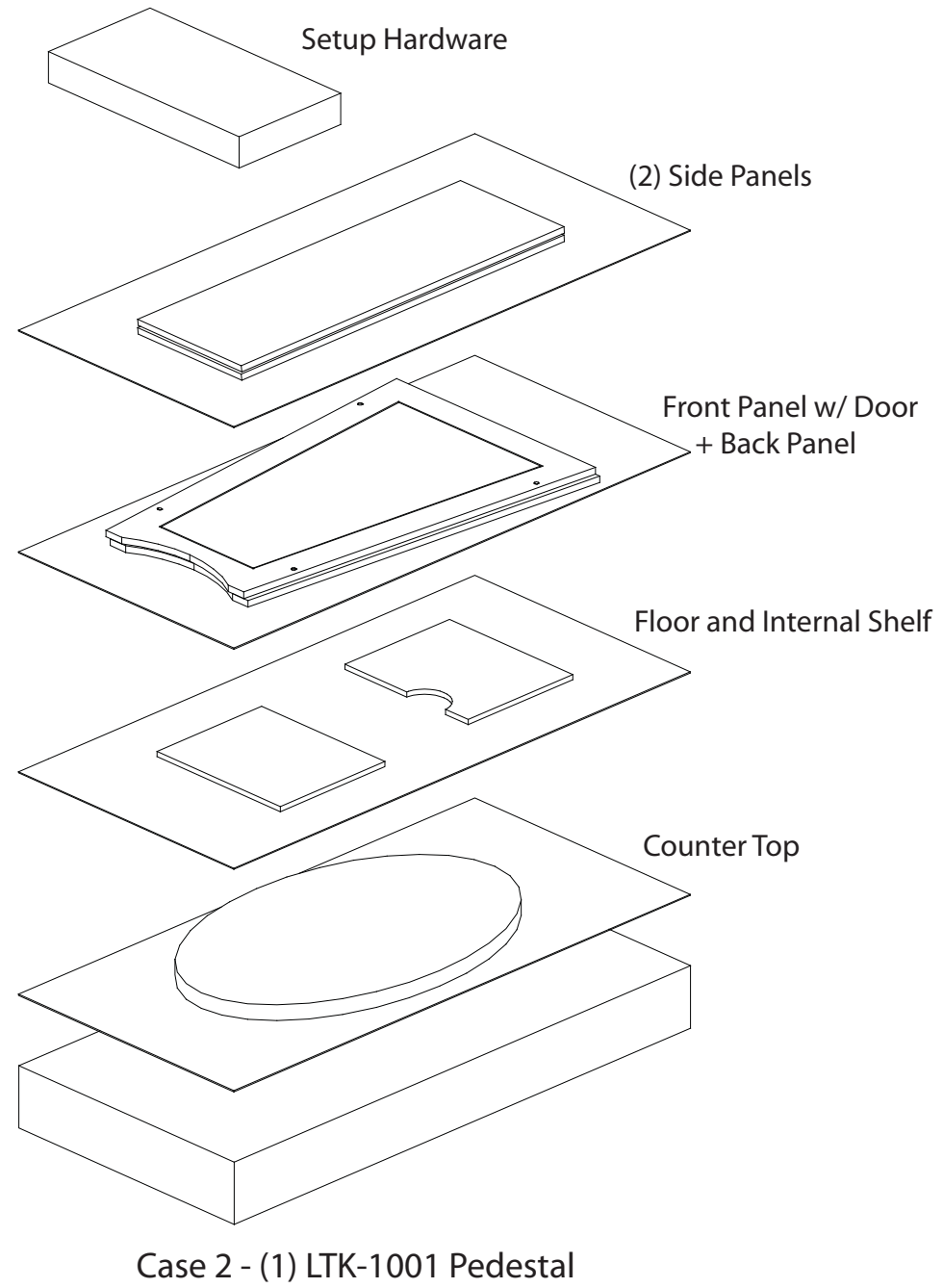


WHEN DISASSEMBLING ALUMINUM EXTRUSION, TIGHTEN ALL SETSCREWS AND LOCKS TO PREVENT LOSS DURING SHIPPING



Case 1 - Additional Components for 20'x20' Reconfiguration

WHEN DISASSEMBLING ALUMINUM EXTRUSION, TIGHTEN ALL SETSCREWS AND LOCKS TO PREVENT LOSS DURING SHIPPING



WHEN DISASSEMBLING ALUMINUM EXTRUSION, TIGHTEN ALL SETSCREWS AND LOCKS TO PREVENT LOSS DURING SHIPPING