

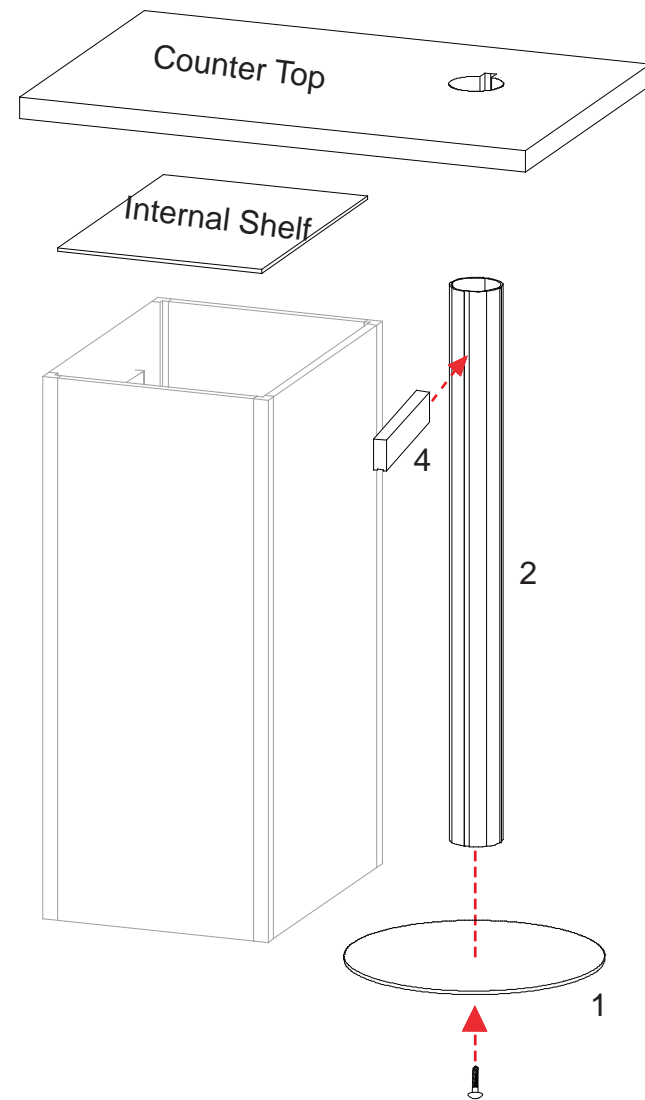
euro It | HYBRIDS

Modul Extrusion System

Item	QTY	Description
1	1	Base Plate
2	1	38.875" Lower Round Vertical Extrusion
3	1	38.875" Upper Round Vertical Extrusion
4	1	Counter Support Extrusion

Steps (Cont'd):

- Place internal shelf atop supports.
- Attach base plate [1] to vertical extrusion [2].
- Attach counter support [4] to vertical extrusion [2] where indicated.
- Slide counter top on round extrusion [2] and rest on assembled base and support.

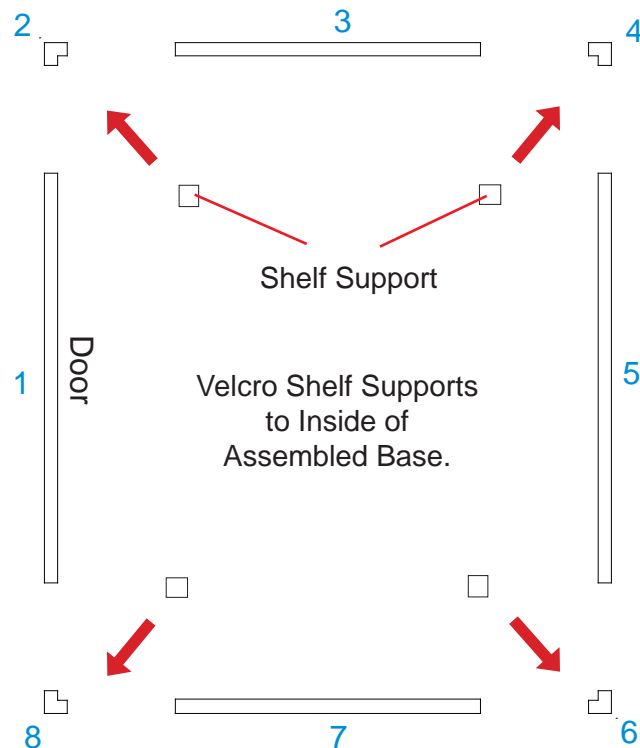


EURO LT Panel System

Item	Description
1	19" w x 38" h Door Panel
2	38" h 90° Connector
3	14.125" w x 38" h Flat Panel
4	38" h 90° Connector
5	19" w x 38" h Door Panel
6	38" h 90° Connector
7	14.125" w x 38" h Flat Panel
8	38" h 90° Connector

Steps:

- Assemble counter base by starting at panel #1 and continue in numerical order.
- Velcro shelf supports to inside of assembled base.

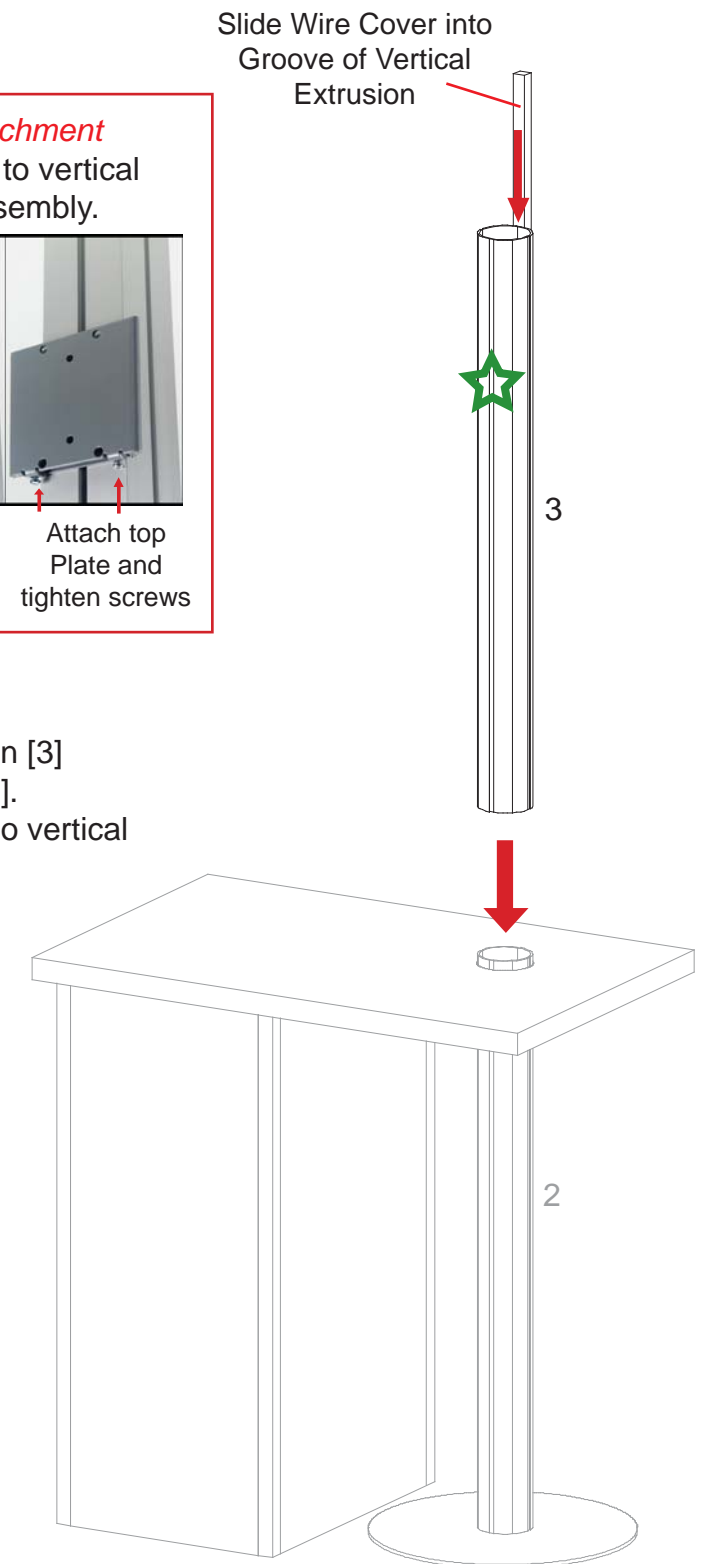


★ Monitor Mount Attachment
Attach monitor mount to vertical extrusions after assembly.

Slide Mount into Groove of Vertical Extrusion. Tighten Setscrew. Attach top Plate and tighten screws.

Steps (Cont'd):

- Attach vertical extrusion [3] atop lower extrusion [2].
- Attach monitor mount to vertical extrusion [3].



WHEN DISASSEMBLING ALUMINUM EXTRUSION, TIGHTEN ALL SETSCREWS AND LOCKS TO PREVENT LOSS DURING SHIPPING

euro lt | HYBRIDS

Using Your Setup Instructions

The Euro LT Hybrids Setup Instructions are created specifically for your configuration. They are laid out sequentially in levels, including exploded views, and a logical series of detailed steps to assemble the main structure and components. We encourage you to study the instructions **before** attempting to assemble your exhibit.

Each page reminds you to tighten the setscrews after disassembling your exhibit to prevent loss of the locks and setscrews (see below in RED). This is VERY IMPORTANT.

Cleaning and Packing Your Display

- 1) Use care when cleaning aluminum extrusion or acrylic inserts. Use only non-abrasive cleaners.
- 2) When cleaning laminate inserts, countertops, or panels use mild cleansers and a soft material such as cotton.
- 3) Keep all display components away from extreme heat and long exposure to sunlight to avoid warping and fading.
- 4) Retain all packing material. It will make re-packing much easier and will reduce the likelihood of shipping damage.

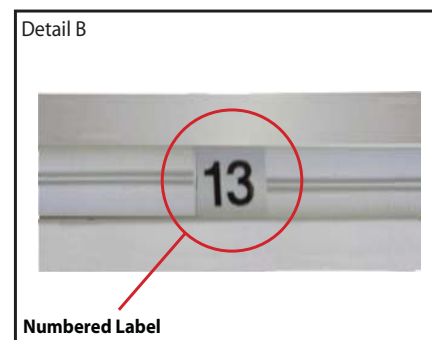
General Setup Instructions for Extrusion System



Most exhibits can be assembled with the supplied Hex Key Tool. Occasionally, a flat head screwdriver may be required.



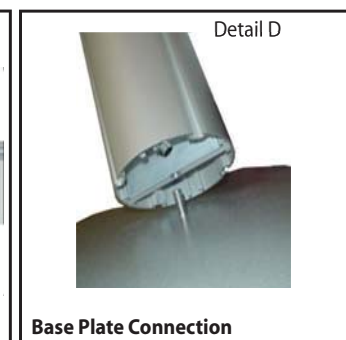
Most horizontal extrusion connections have a patented expandable lock. This lock inserts into the groove of an opposing extrusion. Tightening the lock with the Hex Key Tool expands the lock and creates a strong positive connection.



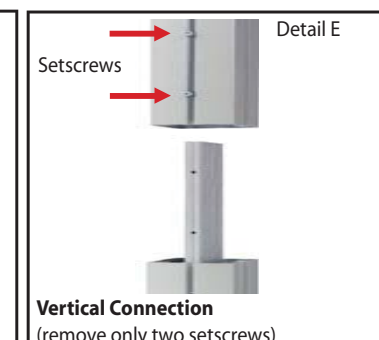
Each extrusion contains a numbered label which corresponds with setup instructions. The label is located within a groove of the extrusion (when possible). With extrusion components the labels contain Black numbers unless otherwise specified.



Remove only (1) setscrew when disassembling. Replace setscrew in extrusion after assembling it. Before packing, replace setscrew in extrusion to avoid losing it.

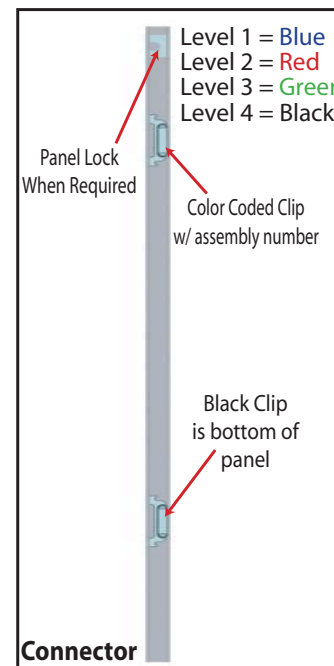


Attach base plate to round or square vertical extrusion using the bolt provided. Be careful not to strip the threads.

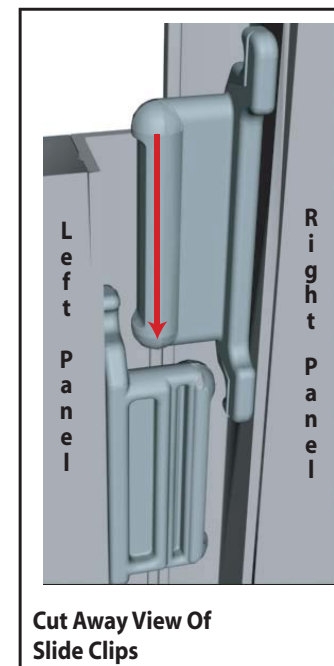


When vertical extrusions are packed in portable cases rather than crates or tubs, they must be broken down into smaller section which then require assembly.

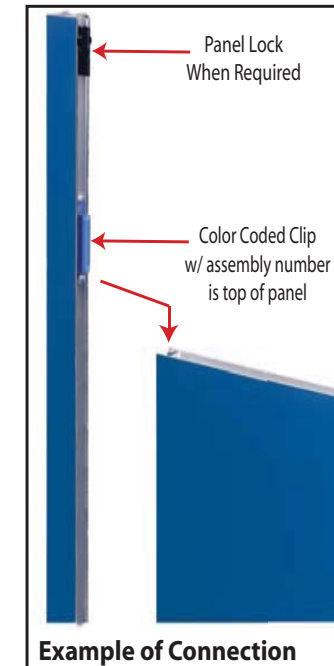
Remove only (2) setscrews when disassembling. Replace setscrews in extrusion after assembling it. Before packing, replace setscrews in extrusion to avoid losing them.



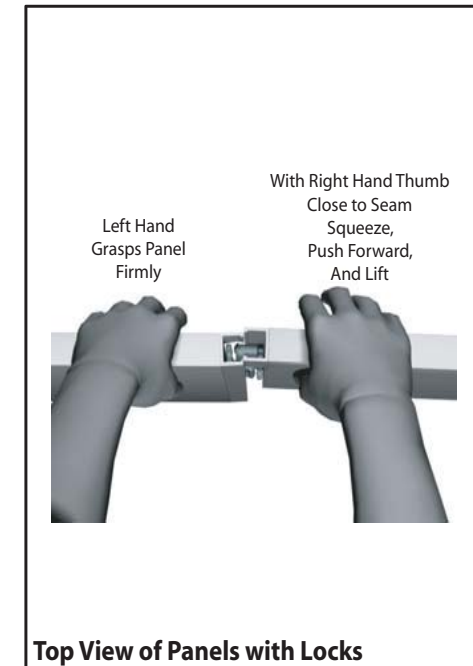
Each component has 2 clips, the lower clip is ALWAYS black. The top clip is color coded to distinguish which level. The color coded clip also contains the numbered label.



Components connect together by aligning them and sliding downward connecting clips together.

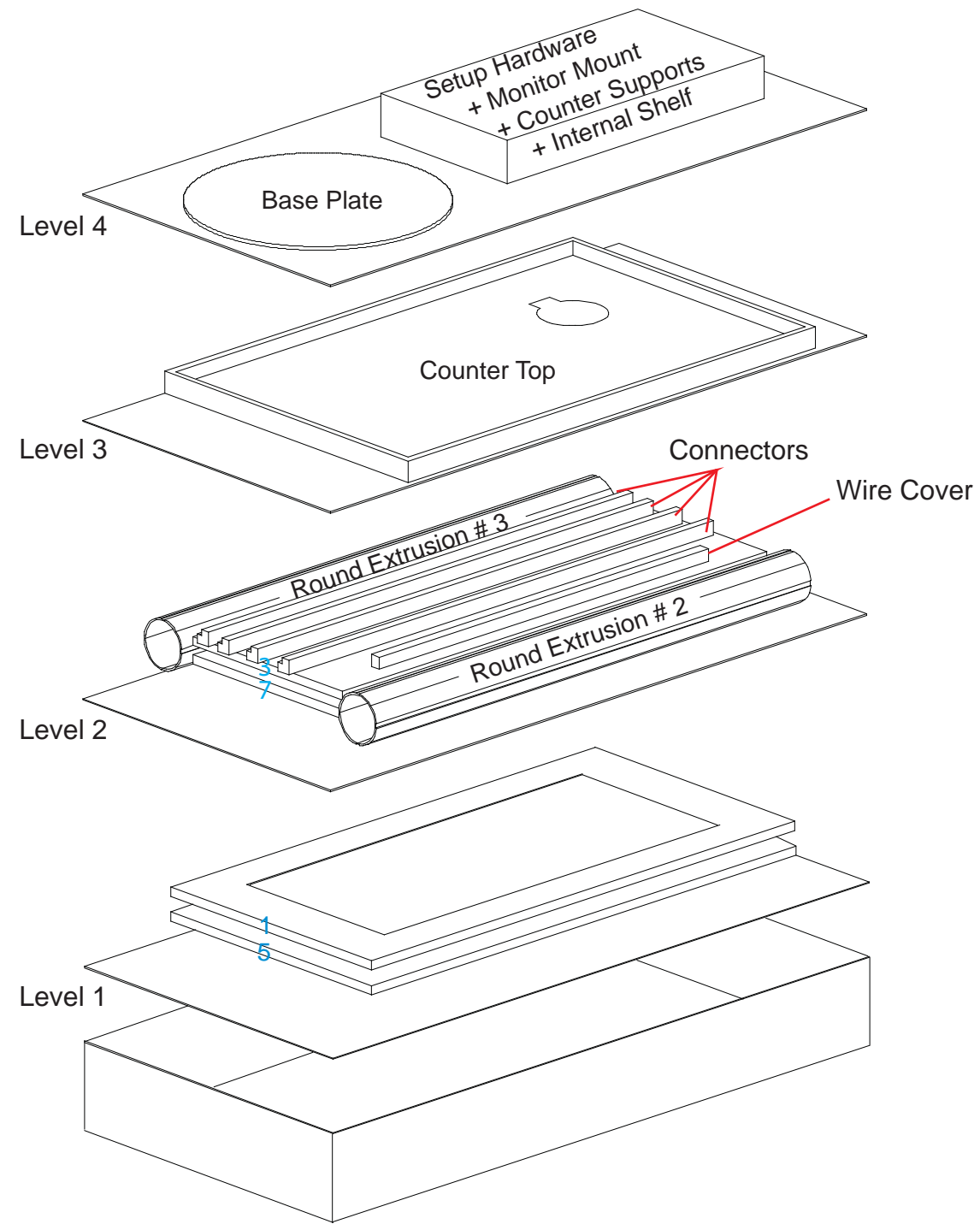


Configurations are assembled from left to right, usually starting with #1 and following the numbered sequence.



The first level of components contain panel locks that are located at the top of the panel for extra stability and seamless connection. When disassembling panels twist top connection slightly and lift right panel upward.

WHEN DISASSEMBLING ALUMINUM EXTRUSION, TIGHTEN ALL SETSCREWS AND LOCKS TO PREVENT LOSS DURING SHIPPING



WHEN DISASSEMBLING ALUMINUM EXTRUSION, TIGHTEN ALL SETSCREWS AND LOCKS TO PREVENT LOSS DURING SHIPPING