

WHEN DISASSEMBLING ALUMINUM EXTRUSION, TIGHTEN ALL SETSCREWS AND LOCKS TO PREVENT LOSS DURING SHIPPING

# visionary™ IDESIGNS

## Using Your Setup Instructions

The Visionary Designs Setup Instructions are created specifically for your configuration. They are laid out sequentially, including an exploded view of the entire display, and then a logical series of detailed steps to assemble the main structure and components. We encourage you to study the instructions **before** attempting to assemble your exhibit.

Each page reminds you to tighten the setscrews after disassembling your exhibit to prevent loss of the locks and setscrews (see below in RED). This is **VERY IMPORTANT**.

## Cleaning and Packing Your Display

- 1) Use care when cleaning aluminum extrusion or acrylic inserts. Use only non-abrasive cleaners.
- 2) When cleaning laminate inserts or countertops, use mild cleansers and a soft material such as cotton.
- 3) Keep all display components away from extreme heat and long exposure to sunlight to avoid warping and fading.
- 4) Retain all packing material. It will make re-packing much easier and will reduce the likelihood of shipping damage.



**The Tool**

Most Visionary Designs exhibits can be assembled with the supplied Hex Key Tool. Occasionally, a flat head screwdriver may be required.

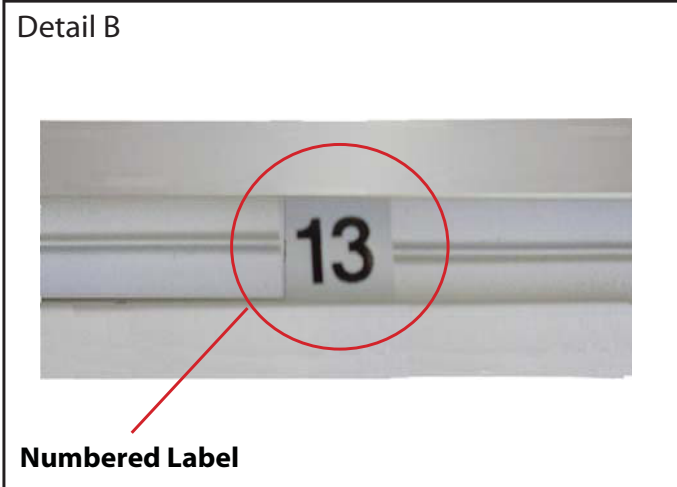


**Typical Connection**

Most horizontal extrusion connections have a patented expandable lock. This lock inserts into the groove of an opposing extrusion. Tightening the lock with the Hex Key Tool expands the lock and creates a strong positive connection.



**Typical Connection (cont'd)**



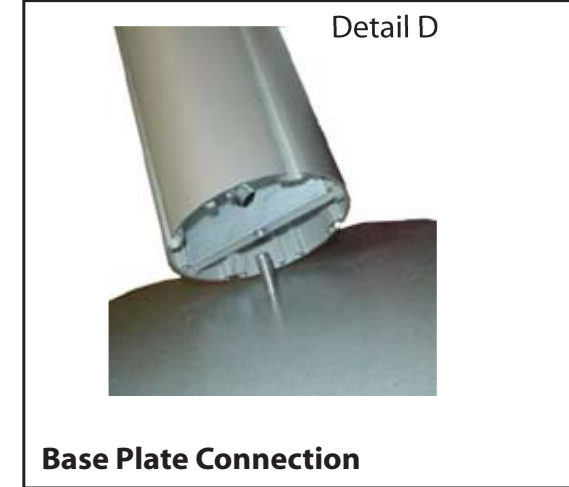
**Numbered Label**

Each extrusion contains a numbered label which corresponds with setup instructions. The label is located within a groove of the extrusion (when possible). With Visionary Designs the labels contain Black numbers unless otherwise specified.



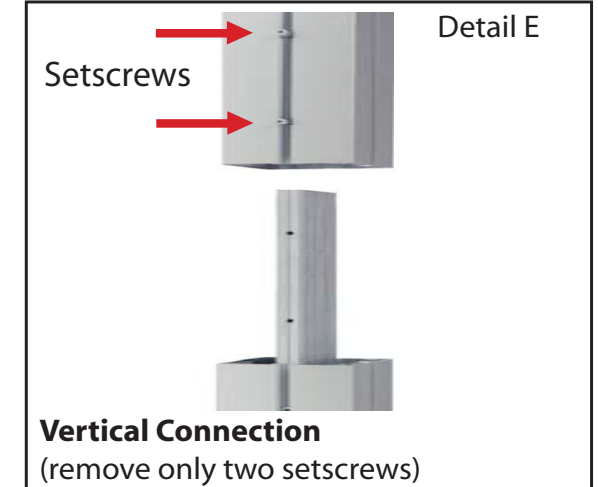
**Horizontal Inline Connection** (remove only one setscrew)

Remove only (1) setscrew when disassembling. Replace setscrew in extrusion after assembling it. Before packing, replace setscrew in extrusion to avoid losing it.



**Base Plate Connection**

Attach base plate to round or square vertical extrusion using the bolt provided. Be careful not to strip the threads.



**Vertical Connection**  
(remove only two setscrews)

When vertical extrusions are packed in portable cases rather than crates or tubs, they must be broken down into smaller sections which then require assembly.

Remove only (2) setscrews when disassembling. Replace setscrews in extrusion after assembling it. Before packing, replace setscrews in extrusion to avoid losing them.

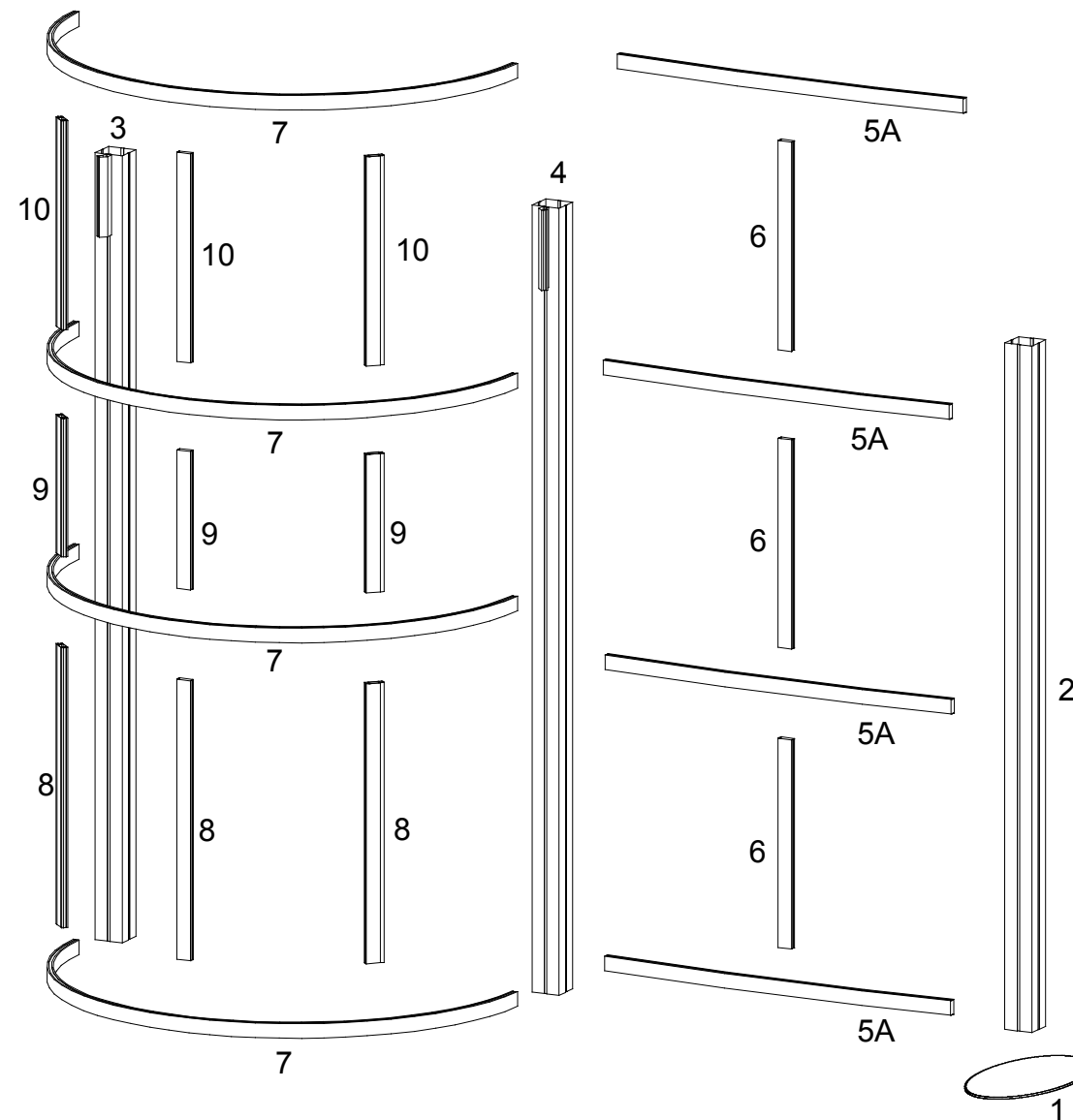
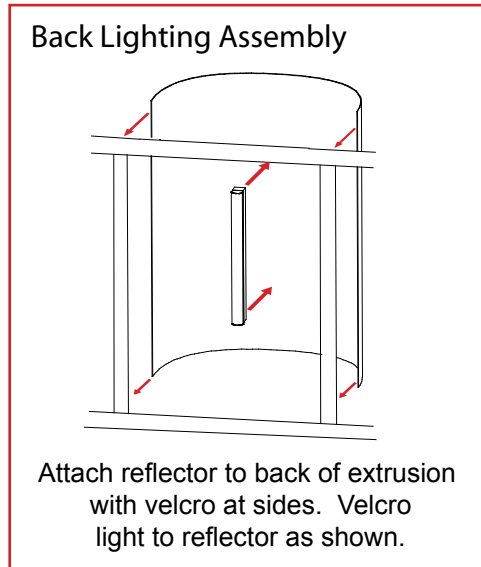
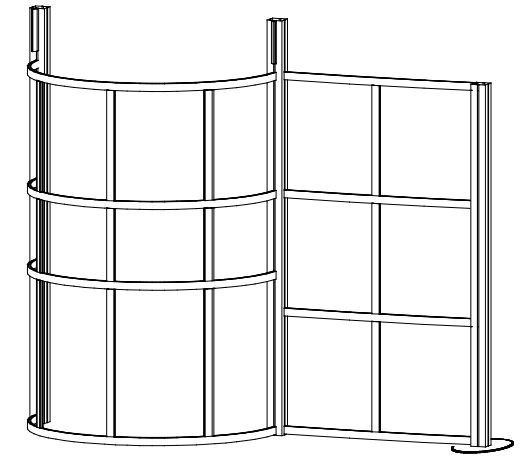
**WHEN DISASSEMBLING ALUMINUM EXTRUSION, TIGHTEN ALL SETSCREWS AND LOCKS TO PREVENT LOSS DURING SHIPPING**

866.652.2100

Item	Qty.	Description
1	2	Oval Base Plates
2	2	83.75" h Vertical Extrusion
3	1	96" h Vertical Extrusion w/ 120° Connector
4	1	96" h Vertical Extrusion w/ 120° Connector
5A	4	46.1219" w Curved Horizontal Extrusion
6	3	25.528" h Vertical Extrusion
7	4	92.2823" w Curved Horizontal Extrusion
8	3	34.167" h Vertical Extrusion
9	3	16.889" h Vertical Extrusion
10	3	25.528" h Vertical Extrusion

Steps:

- 1) Connect vertical extrusion [2] to oval base plates [1] as shown in Detail D on the general info page.
- 2) Connect lower curved horizontal extrusions [5A and 7] as shown between vertical extrusions [2, 3 and 4].
- 3) Connect vertical extrusions [6, 8, 9, and 10] to horizontal extrusions [5A and 7] as shown, repeating steps 2 and 3 with remaining extrusions [5A, 6, 7, 8, 9, and 10].



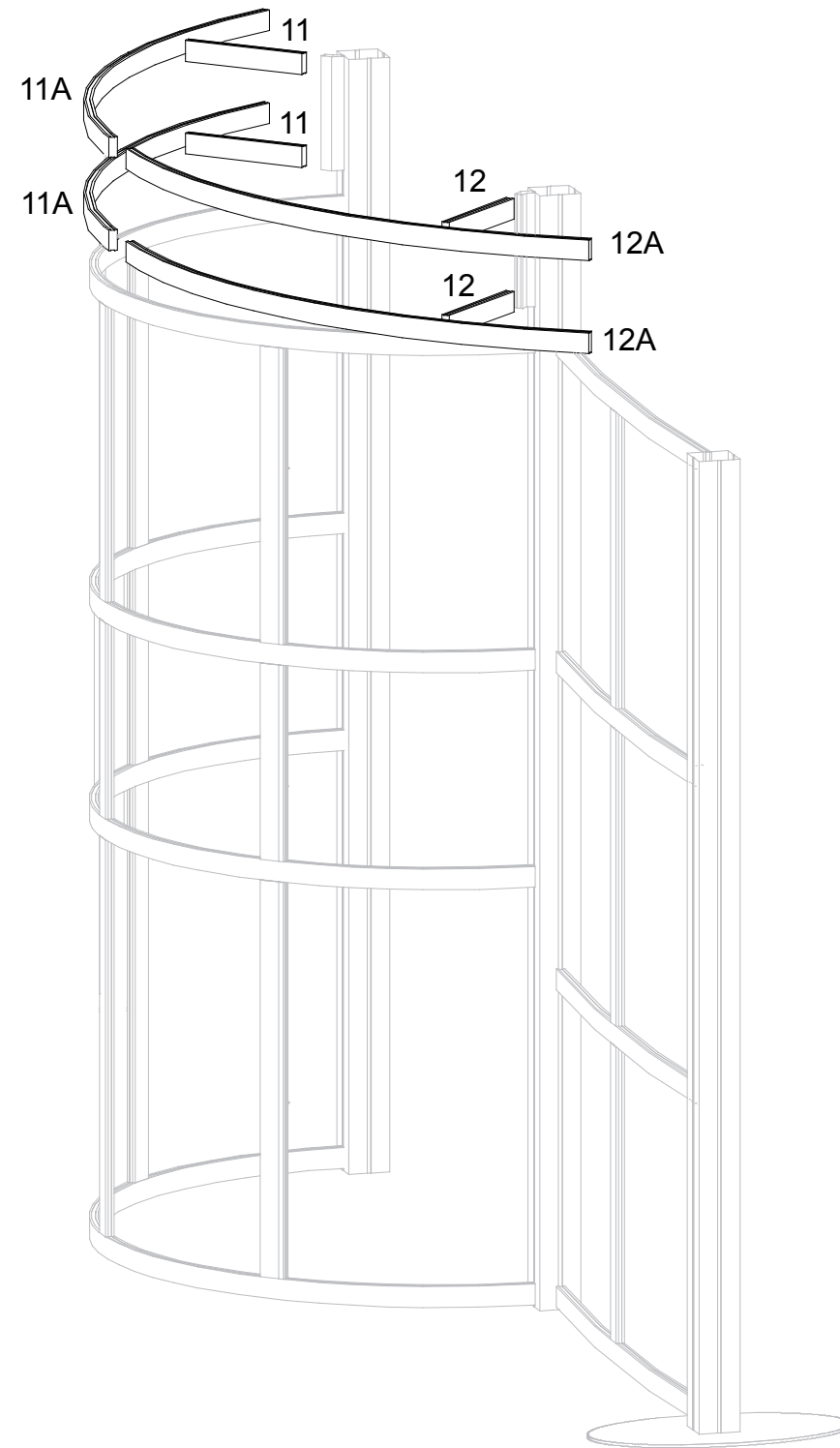
**WHEN DISASSEMBLING ALUMINUM EXTRUSION, TIGHTEN ALL SETSCREWS AND LOCKS TO PREVENT LOSS DURING SHIPPING**

866.652.2100

Item	Qty.	Description
11	2	11.2164"w Horizontal Extrusion
11A	2	56.6009"w Curved Horizontal Extrusion
12	2	11.2164"w Horizontal Extrusion
12A	2	56.6009"w Curved Horizontal Extrusion

## Steps:

- 1) Connect extrusions [11 and 12] to backwall making flush to Top of 120° extrusion and flush to Bottom of 120° extrusion.
- 2) Connect curved extrusions [11A and 12A] together then attach to horizontal extrusions [11 and 12] as shown.



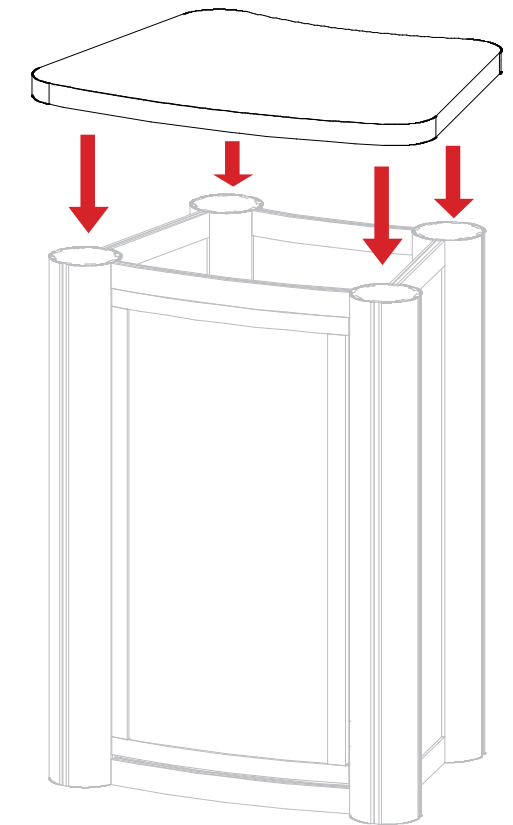
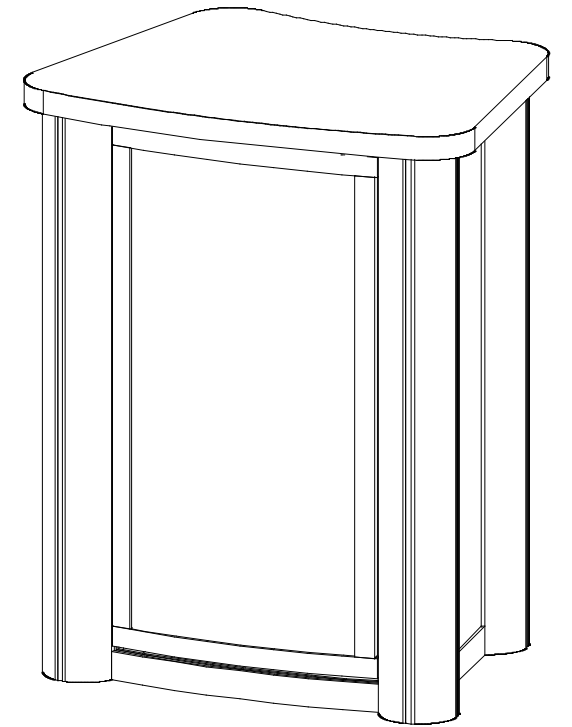
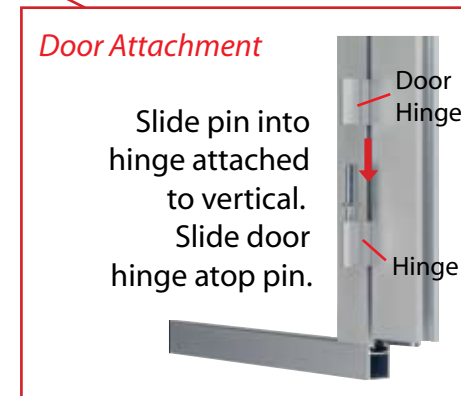
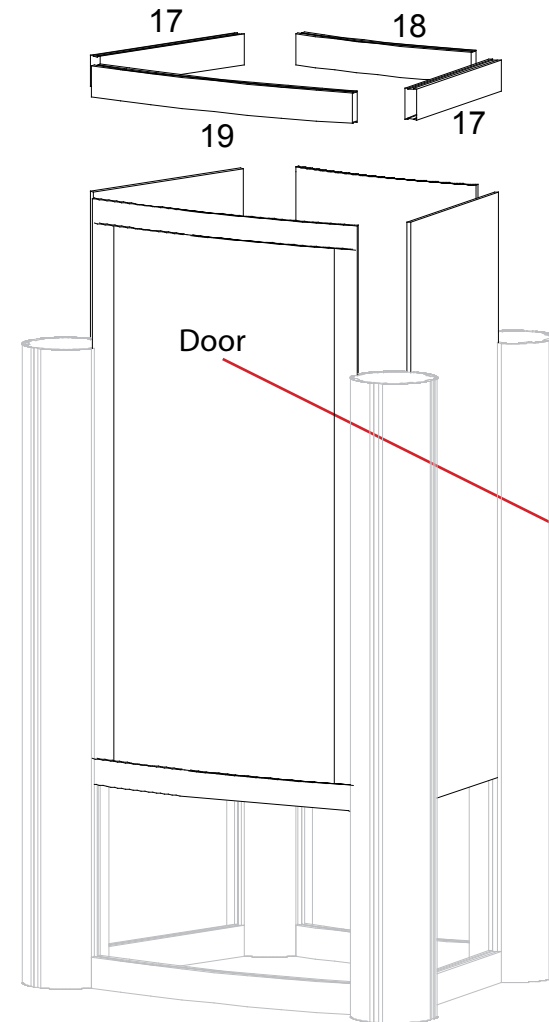
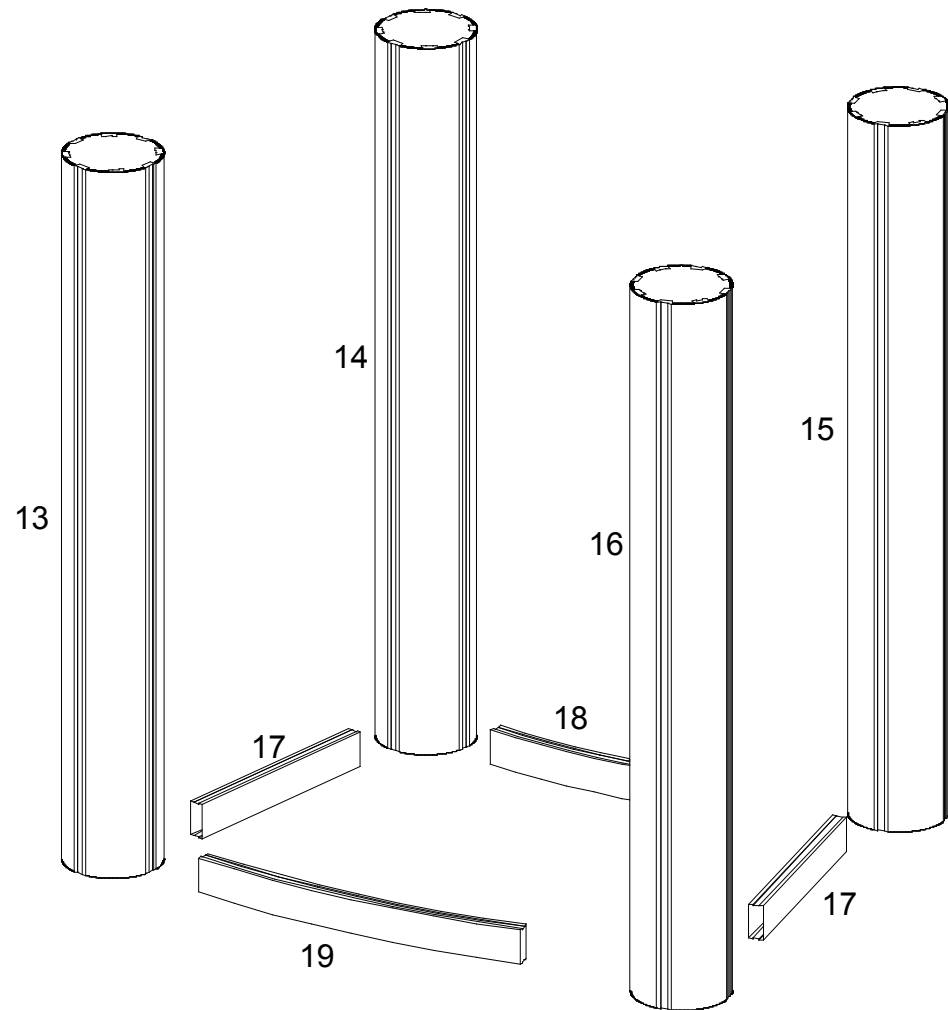
WHEN DISASSEMBLING ALUMINUM EXTRUSION, TIGHTEN ALL  
SETSCREWS AND LOCKS TO PREVENT LOSS DURING SHIPPING

866.652.2100

Item	Qty.	Description
13	1	37" h Vertical Extrusion
14	1	37" h Vertical Extrusion w/ Door Stopper
15	1	37" h Vertical Extrusion w/ Hinges
16	1	37" h Vertical Extrusion
17	4	11.8094" w Horizontal Extrusion
18	2	12.1599" w Curved Horizontal Extrusion
19	2	18.0687" w Curved Horizontal Extrusion

Steps:

- 1) Attach lower horizontal extrusions [17, 18 and 19] between vertical extrusions [13, 14, 15 and 16].
- 2) Place inserts and door between vertical extrusions as shown.
- 3) Attach upper horizontal extrusions [17, 18 and 19] between vertical extrusions [13, 14, 15 and 16] and atop inserts and door.
- 4) Velcro shelf supports to inside of assembled base.
- 5) Place internal shelf atop supports.
- 6) Set counter top on assembled pedestal as shown.



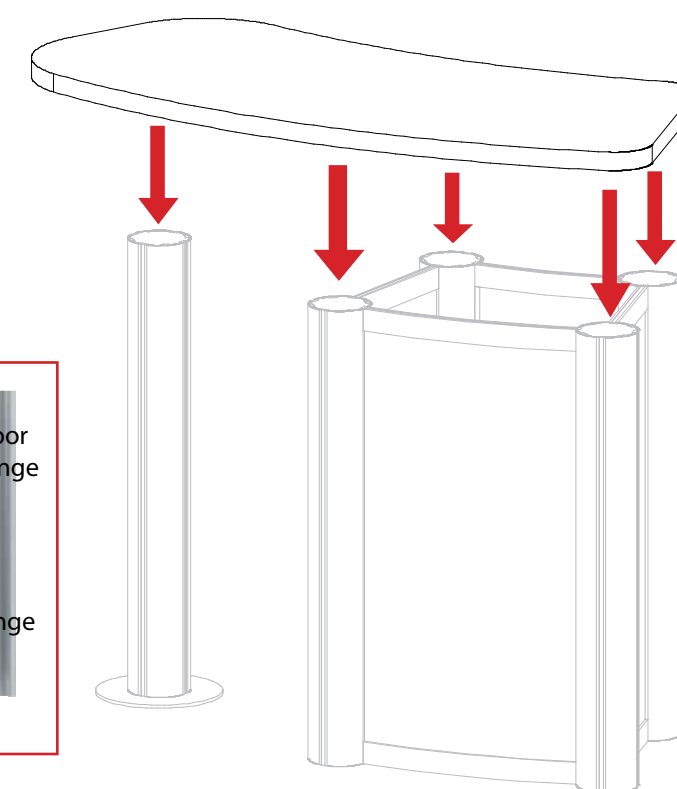
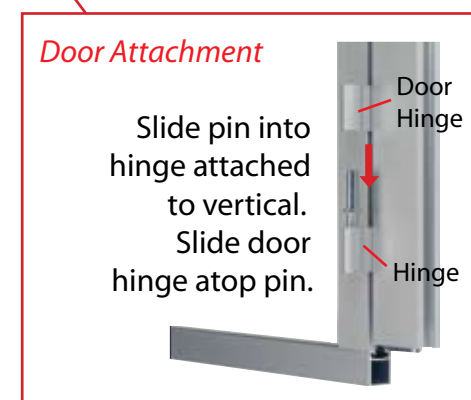
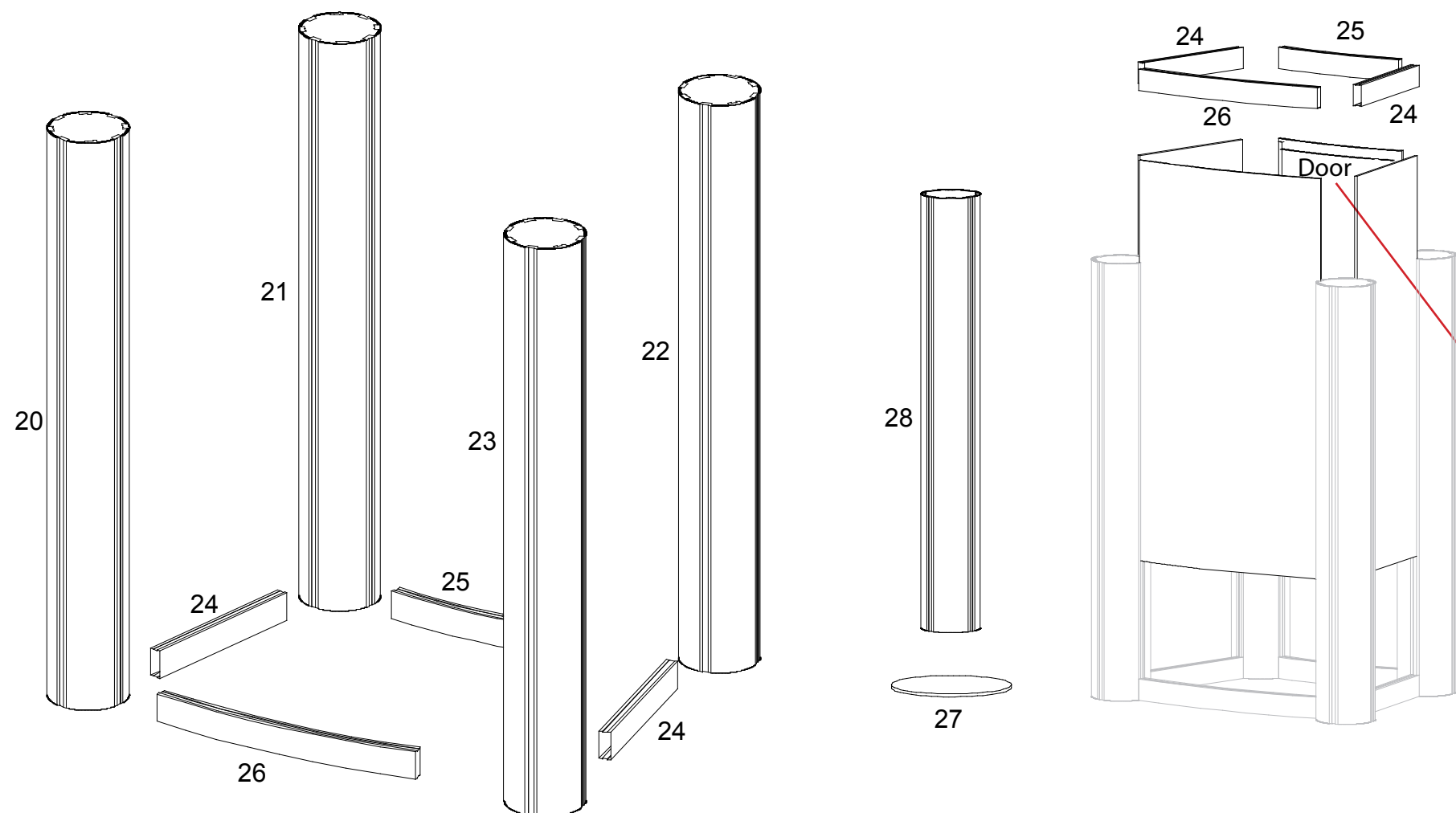
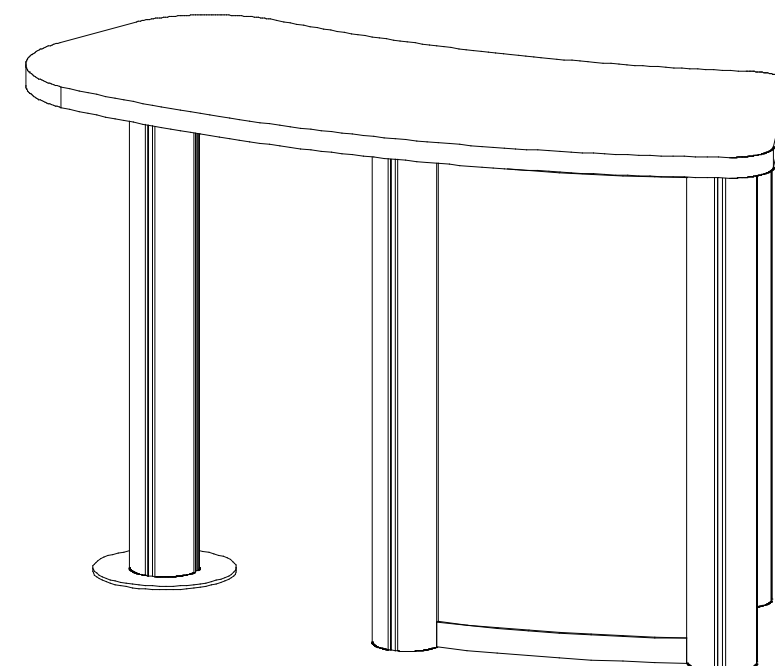
**WHEN DISASSEMBLING ALUMINUM EXTRUSION, TIGHTEN ALL SETSCREWS AND LOCKS TO PREVENT LOSS DURING SHIPPING**

866.652.2100

Item	Qty.	Description
20	1	37" h Vertical Extrusion
21	1	37" h Vertical Extrusion w/ Door Stopper
22	1	37" h Vertical Extrusion w/ Hinges
23	1	38" h Vertical Extrusion
24	4	11.8094" w Horizontal Extrusion
25	2	12.1599" w Curved Horizontal Extrusion
26	2	18.0687" w Curved Horizontal Extrusion
27	1	Round Base Plate
28	1	36.75" Vertical Extrusion

Steps:

- 1) Attach lower horizontal extrusions [5, 6 and 7] between vertical extrusions [1, 2, 3 and 4].
- 2) Place inserts and door between vertical extrusions as shown.
- 3) Attach upper horizontal extrusions [5, 6 and 7] between vertical extrusions [1, 2, 3 and 4] and atop inserts and door.
- 4) Attach base plate [x] to vertical support [x].
- 4) Velcro shelf supports to inside of assembled base.
- 5) Place internal shelf atop supports.
- 6) Set counter top on assembled pedestal as shown.



**WHEN DISASSEMBLING ALUMINUM EXTRUSION, TIGHTEN ALL SETSCREWS AND LOCKS TO PREVENT LOSS DURING SHIPPING**

WHEN DISASSEMBLING ALUMINUM EXTRUSION, TIGHTEN ALL SETSCREWS AND LOCKS TO PREVENT LOSS DURING SHIPPING