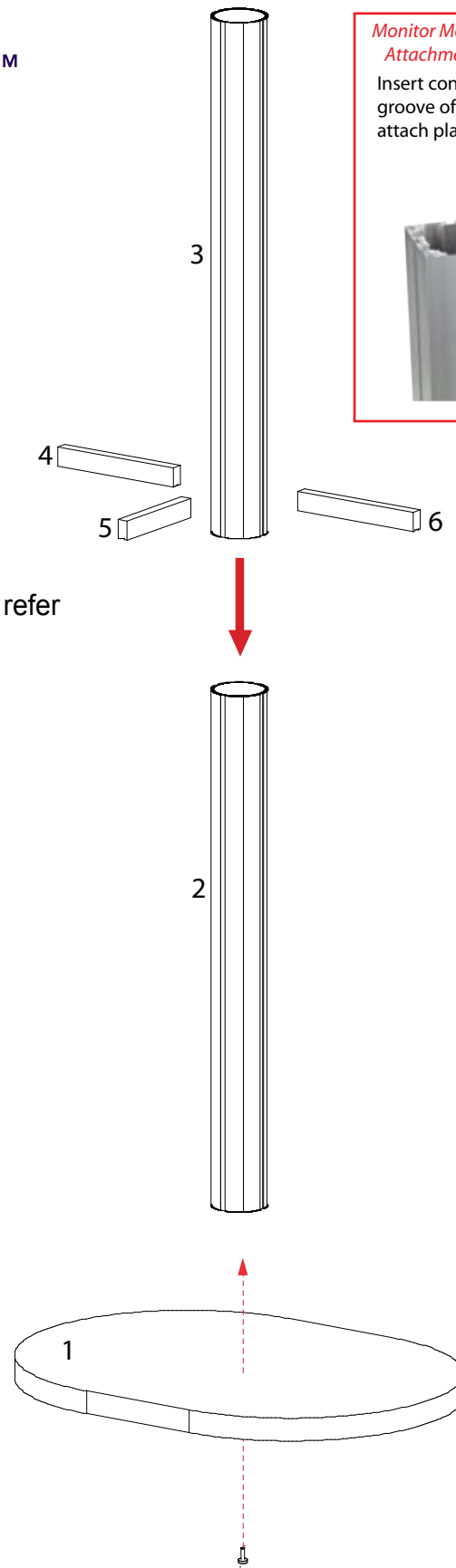




Part Number	Description
1	Base Plate
2	34" h Lower Vertical extrusion
3	34" h Upper Vertical extrusion
4	9" Horizontal extrusion
5	6.875" Horizontal extrusion
6	9" Horizontal extrusion

Steps

- 1) Attach 34" h vertical extrusion [2] to the base plates [1] - refer to Detail D on General Info page.
- 2) Attach 34" h upper vertical extrusion [3] atop of lower vertical extrusion [2].
- 3) Attach horizontal extrusions [4 - 6] to vertical assembly [2/3] as shown.
- 4) Attach Plex shelf to horizontal extrusions using standoff caps provided.
- 5) Attach Monitor Mount as shown in Detail.
- 6) Attach wire management pieces to backside of vertical extrusion to hide any wiring involved.



Monitor Mount Attachment


Insert connectors into groove of extrusion and attach plate.

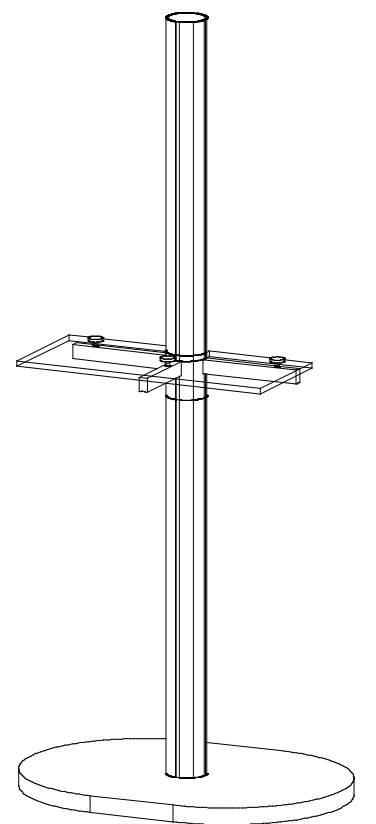
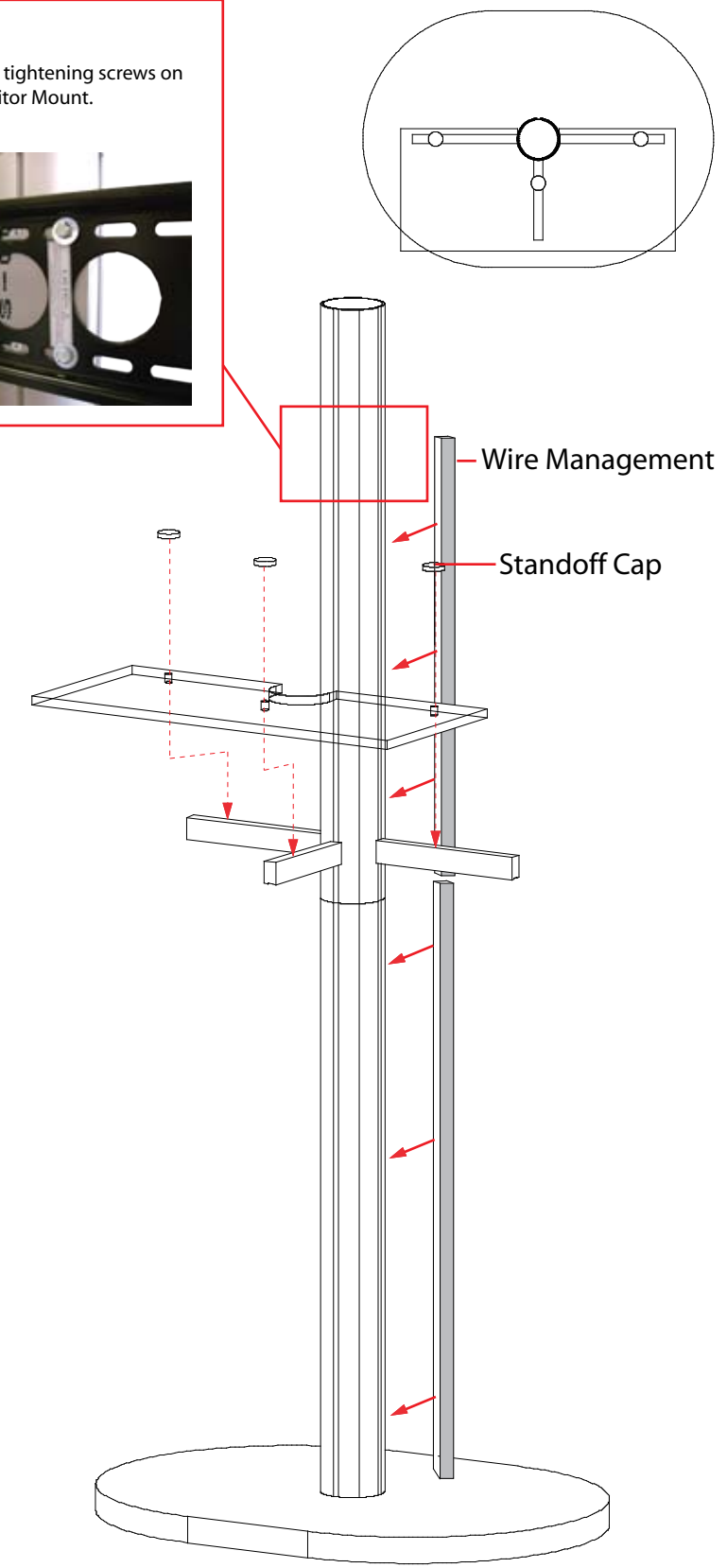


When in desired location tighten in place.



Attach Mount by tightening screws on frontside of Monitor Mount.





WHEN DISASSEMBLING ALUMINUM EXTRUSION, TIGHTEN ALL SETSCREWS AND LOCKS TO PREVENT LOSS DURING SHIPPING

visionary™ IDESIGNS

Using Your Setup Instructions

The Visionary Designs Setup Instructions are created specifically for your configuration. They are laid out sequentially, including an exploded view of the entire display, and then a logical series of detailed steps to assemble the main structure and components. We encourage you to study the instructions **before** attempting to assemble your exhibit.

Each page reminds you to tighten the setscrews after disassembling your exhibit to prevent loss of the locks and setscrews (see below in RED). This is **VERY IMPORTANT**.

Cleaning and Packing Your Display

- 1) Use care when cleaning aluminum extrusion or acrylic inserts. Use only non-abrasive cleaners.
- 2) When cleaning laminate inserts or countertops, use mild cleansers and a soft material such as cotton.
- 3) Keep all display components away from extreme heat and long exposure to sunlight to avoid warping and fading.
- 4) Retain all packing material. It will make re-packing much easier and will reduce the likelihood of shipping damage.



The Tool

Most Visionary Designs exhibits can be assembled with the supplied Hex Key Tool. Occasionally, a flat head screwdriver may be required.

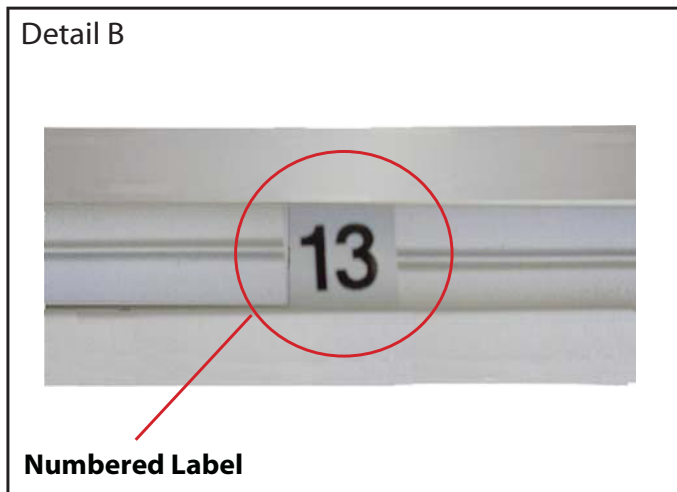


Typical Connection



Typical Connection (cont'd)

Most horizontal extrusion connections have a patented expandable lock. This lock inserts into the groove of an opposing extrusion. Tightening the lock with the Hex Key Tool expands the lock and creates a strong positive connection.



Detail B

Numbered Label

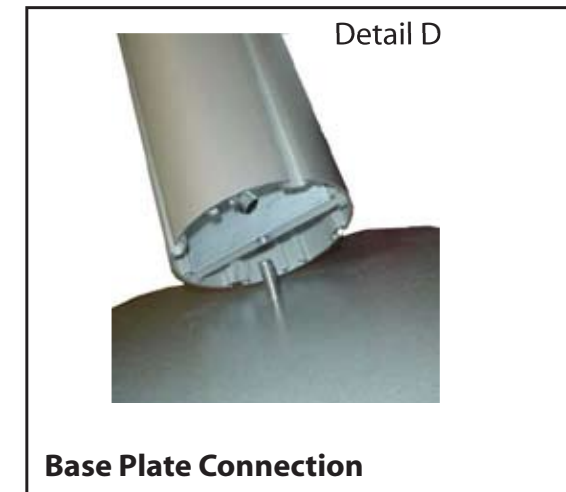
Each extrusion contains a numbered label which corresponds with setup instructions. The label is located within a groove of the extrusion (when possible). With Visionary Designs the labels contain Black numbers unless otherwise specified.



Detail C

Horizontal Inline Connection (remove only one setscrew)

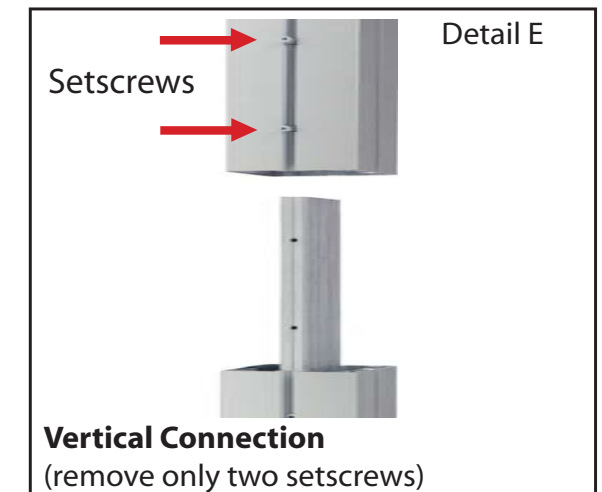
Remove only (1) setscrew when disassembling. Replace setscrew in extrusion after assembling it. Before packing, replace setscrew in extrusion to avoid losing it.



Detail D

Base Plate Connection

Attach base plate to round or square vertical extrusion using the bolt provided. Be careful not to strip the threads.



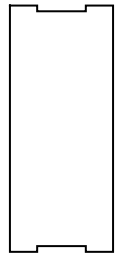
Detail E

Vertical Connection
(remove only two setscrews)

When vertical extrusions are packed in portable cases rather than crates or tubs, they must be broken down into smaller sections which then require assembly.

Remove only (2) setscrews when disassembling. Replace setscrews in extrusion after assembling it. Before packing, replace setscrews in extrusion to avoid losing them.

WHEN DISASSEMBLING ALUMINUM EXTRUSION, TIGHTEN ALL SETSCREWS AND LOCKS TO PREVENT LOSS DURING SHIPPING

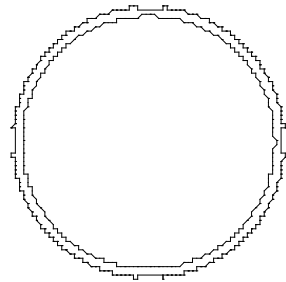


9" h Extrusion

Qty. : 2

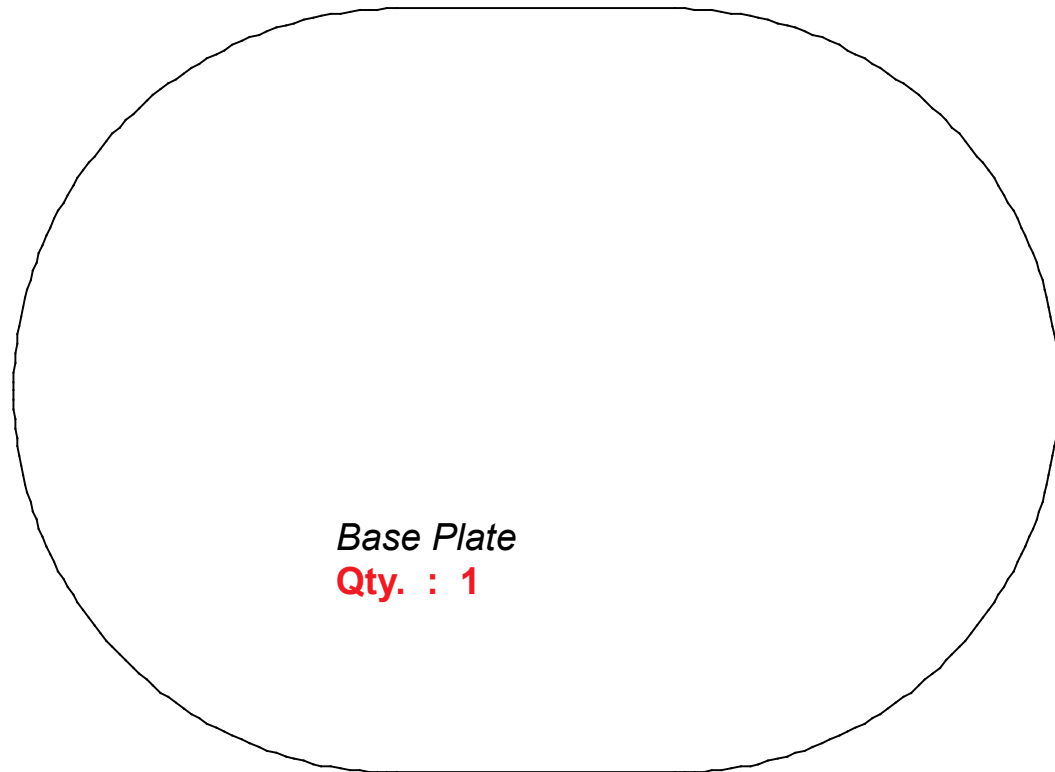
6.875" h Extrusion

Qty. : 1



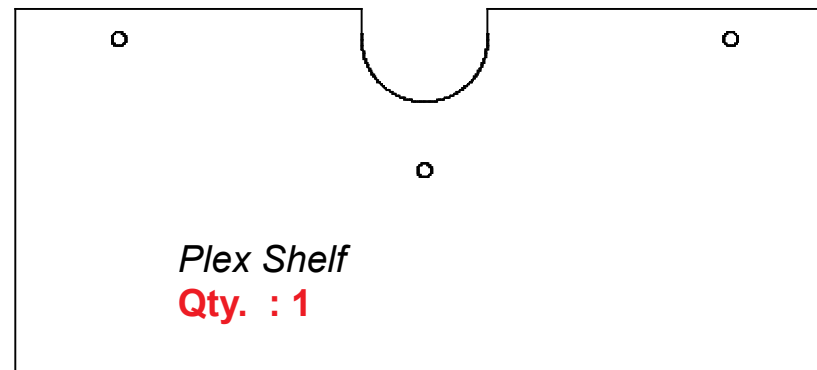
34" h Round Extrusion

Qty. : 2



Base Plate

Qty. : 1



Plex Shelf

Qty. : 1

Additional Accessories:

__ 3- Standoff Caps __

__ Set-up Hardware __

__ Monitor Mount __

WHEN DISASSEMBLING ALUMINUM EXTRUSION, TIGHTEN ALL SETSCREWS AND LOCKS TO PREVENT LOSS DURING SHIPPING