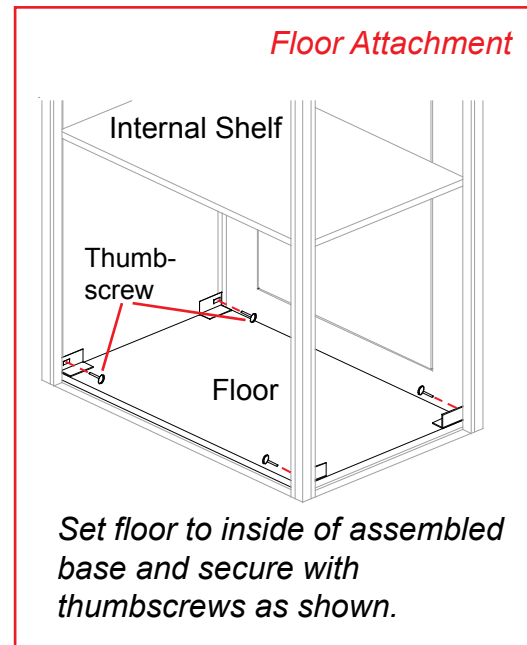
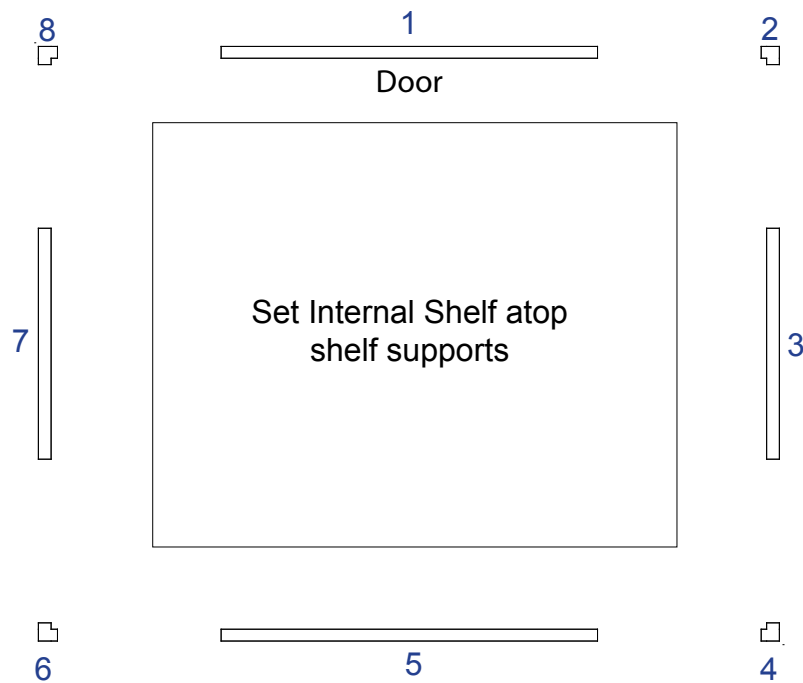


LT Panel - Part List

| Item Number | Description                                 |
|-------------|---|
| 1           | 23"w x 42"h Flat Panel w/ Door              |
| 2           | 42"h 90° Corner Connector                   |
| 3           | 14.125"w x 42"h Flat Panel                  |
| 4           | 42"h 90° Corner Connector w/ Notch for Hook |
| 5           | 23"w x 42"h Flat Panel                      |
| 6           | 42"h 90° Corner Connector w/ Notch for Hook |
| 7           | 14.125"w x 42"h Flat Panel                  |
| 8           | 42"h 90° Corner Connector                   |

Steps:

- 1) Assemble pedestal base by starting at panel #1 and continue in numerical order.
- 2) Attach floor to inside of assembled base.
- 3) Velcro internal shelf supports to inside of assembled LT base and atop floor.
- 4) Set internal shelf atop supports.

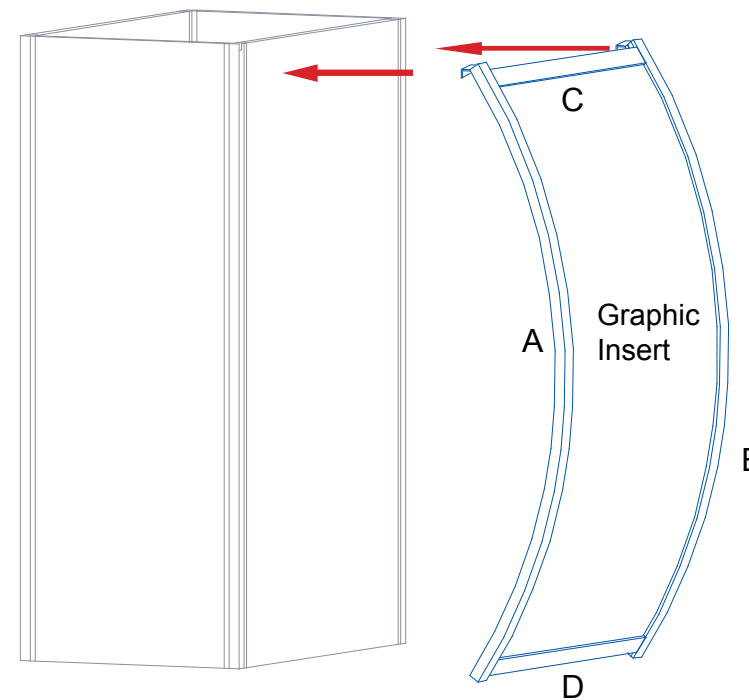


Modul Extrusion - Part List

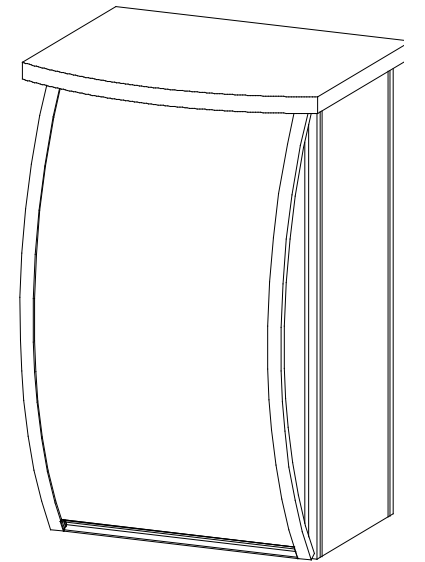
| Item Number | Description                  |
|-------------|------------------------------|
| A           | 44.423" Formed Extrusion     |
| B           | 44.423" Formed Extrusion     |
| C           | 22.23"w Horizontal Extrusion |
| D           | 22.23"w Horizontal Extrusion |

Steps:

- 5) Attach extrusion [D] between curved extrusions [A and B].
- 6) Slide graphic into frame.
- 7) Attach extrusion [C] between curved extrusions and atop insert.
- 8) Hook assembled frame with graphic attached to assembled Pedestal as shown.

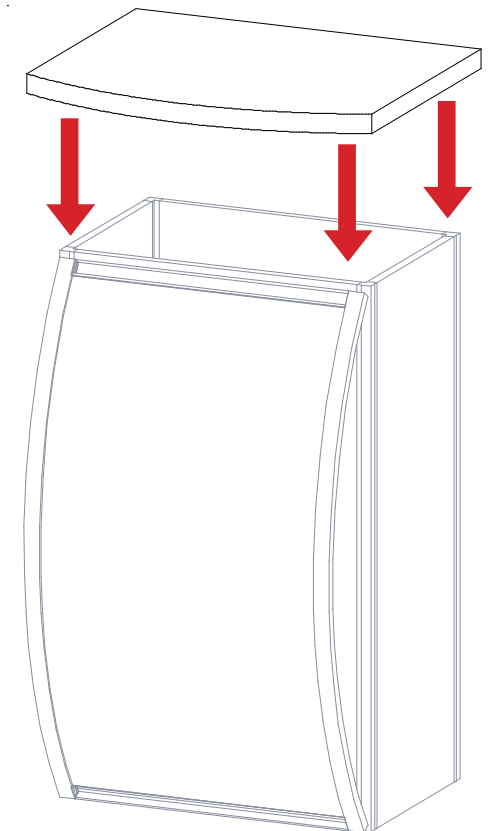


**\*\*NOTE:** Frame and graphic insert must stay assembled when shipping.



Steps:

- 9) Place Counter atop Assembled Pedestal



**WHEN DISASSEMBLING ALUMINUM EXTRUSION, TIGHTEN ALL SETSCREWS AND LOCKS TO PREVENT LOSS DURING SHIPPING**

# euro lt | HYBRIDS

## General Setup Instructions for Panel System

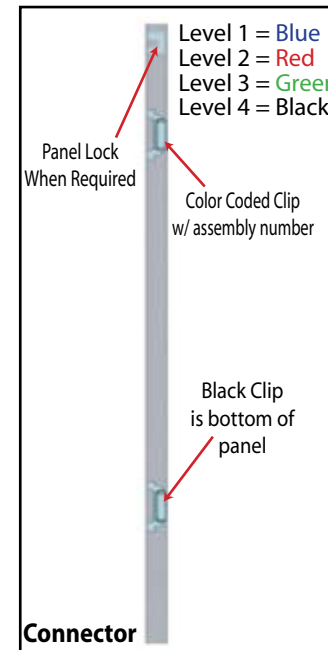
### Using Your Setup Instructions

The Euro LT Hybrids Setup Instructions are created specifically for your configuration. They are laid out sequentially in levels, including exploded views, and a logical series of detailed steps to assemble the main structure and components. We encourage you to study the instructions **before** attempting to assemble your exhibit.

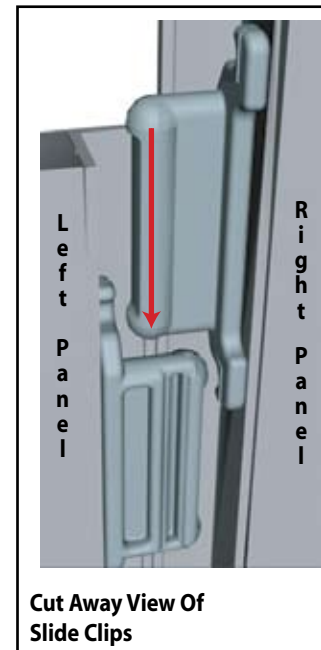
Each page reminds you to tighten the setscrews after disassembling your exhibit to prevent loss of the locks and setscrews (see below in RED). This is VERY IMPORTANT.

### Cleaning and Packing Your Display

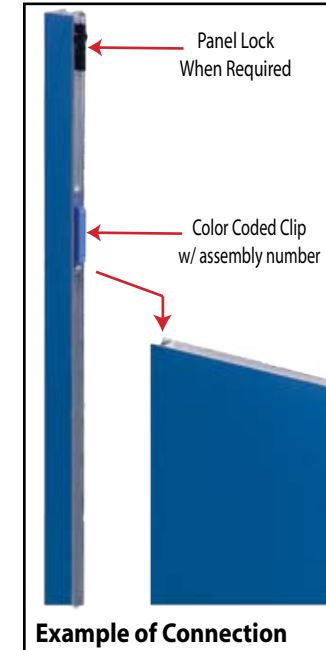
- 1) Use care when cleaning aluminum extrusion or acrylic inserts. Use only non-abrasive cleaners.
- 2) When cleaning laminate inserts, countertops, or panels use mild cleansers and a soft material such as cotton.
- 3) Keep all display components away from extreme heat and long exposure to sunlight to avoid warping and fading.
- 4) Retain all packing material. It will make re-packing much easier and will reduce the likelihood of shipping damage.



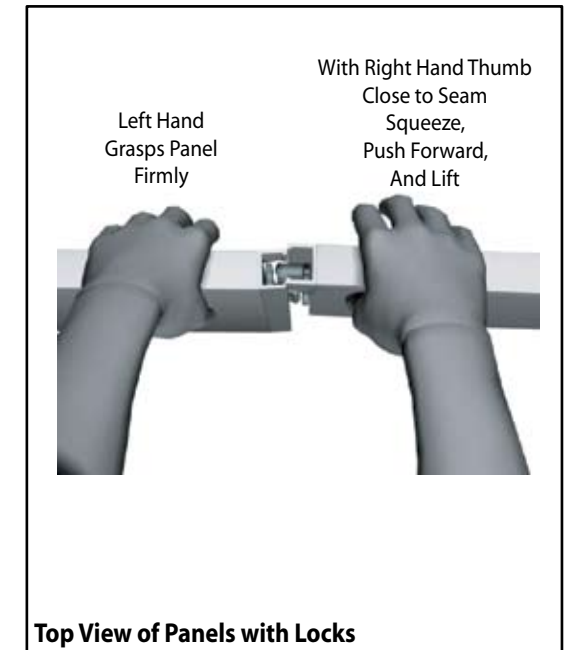
**Connector**  
Each component has 2 clips, the lower clip is ALWAYS black. The top clip is color coded to distinguish the level. The color coded clip also contains the numbered label.



**Cut Away View Of Slide Clips**  
Components connect together by aligning them and sliding downward connecting clips together.



**Example of Connection**  
Configurations are assembled from left to right, usually starting with #1 and following the numbered sequence.



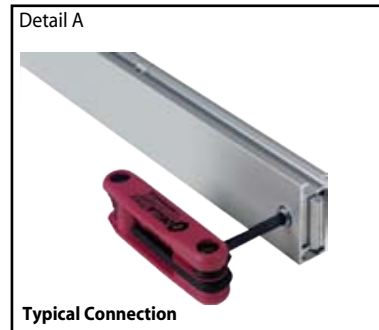
**Top View of Panels with Locks**  
The first level of components contains panel locks that are located at the top of the panel for extra stability and a seamless connection. When disassembling panels, twist top connection slightly and lift right panel upward.

## General Setup Instructions for Extrusion System



**The Tool**

Most exhibits can be assembled with the supplied Hex Key Tool. Occasionally, a flat head screwdriver may be required.

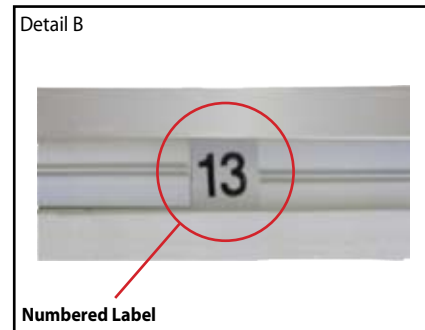


**Typical Connection**

Most horizontal extrusion connections have a patented expandable lock. This lock inserts into the groove of an opposing extrusion. Tightening the lock with the Hex Key Tool expands the lock and creates a strong positive connection.

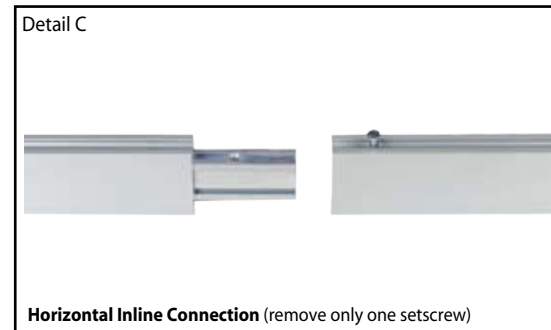


**Typical Connection (cont'd)**



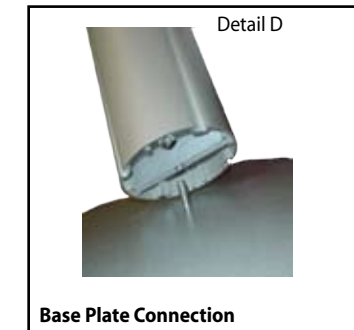
**Numbered Label**

Each extrusion contains a numbered label which corresponds with setup instructions. The label is located within a groove of the extrusion (when possible). With extrusion components the labels contain Black numbers unless otherwise specified.



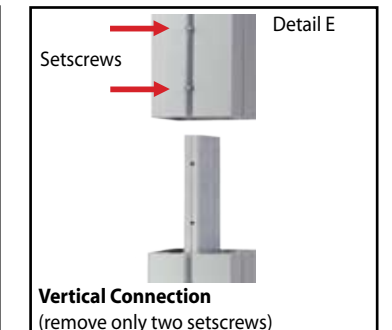
**Horizontal Inline Connection (remove only one setscrew)**

Remove only (1) setscrew when disassembling. Replace setscrew in extrusion after assembling it. Before packing, replace setscrew in extrusion to avoid losing it.



**Base Plate Connection**

Attach base plate to round or square vertical extrusion using the bolt provided. Be careful not to strip the threads.



**Vertical Connection (remove only two setscrews)**

When vertical extrusions are packed in portable cases rather than crates or tubs, they must be broken down into smaller sections which then require assembly.

Remove only (2) setscrews when disassembling. Replace setscrews in extrusion after assembling it. Before packing, replace setscrews in extrusion to avoid losing them.

**WHEN DISASSEMBLING ALUMINUM EXTRUSION, TIGHTEN ALL SETSCREWS AND LOCKS TO PREVENT LOSS DURING SHIPPING**