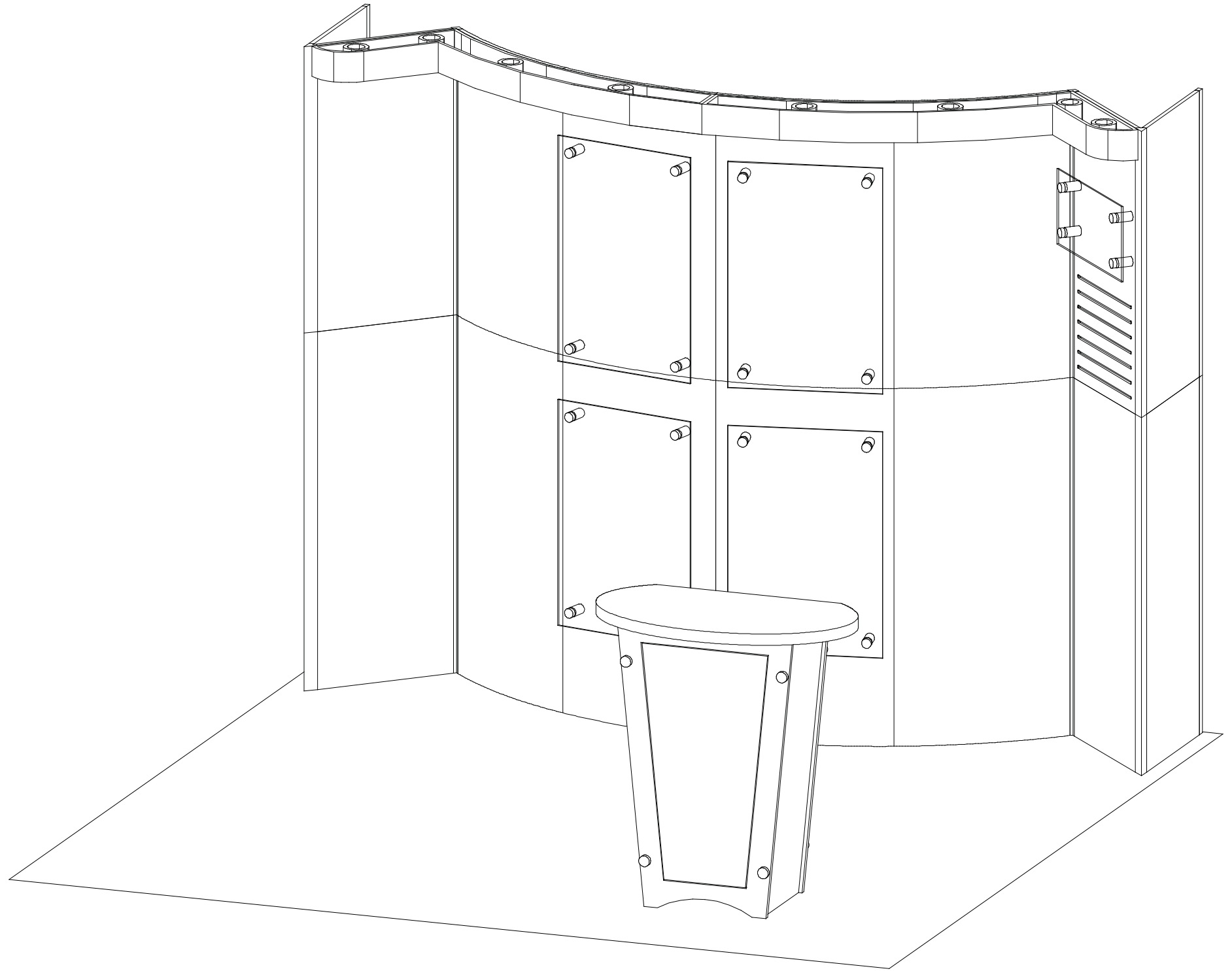
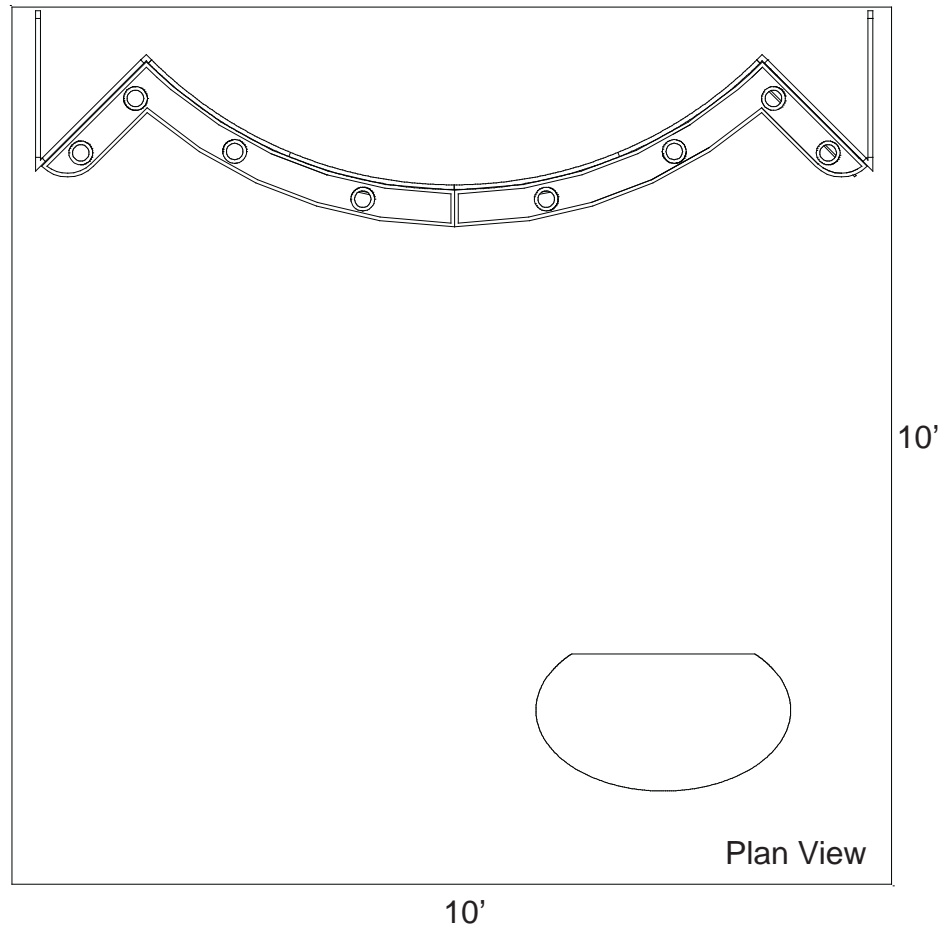


euro It | HYBRIDS



euro lt | HYBRIDS

Euro LT Hybrids General Setup Instructions

Using Your Setup Instructions

The Euro LT Hybrids Setup Instructions are created specifically for your configuration. They are laid out sequentially in levels, including exploded views, and a logical series of detailed steps to assemble the main structure and components. We encourage you to study the instructions **before** attempting to assemble your exhibit.

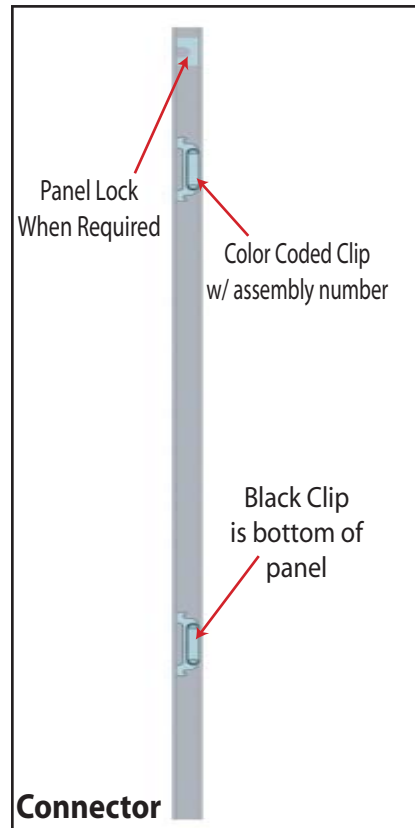
Cleaning and Packing Your Display

- 1) When cleaning laminate countertops or panels use mild cleansers and a soft material such as cotton.
- 2) Keep all display components away from extreme heat and long exposure to sunlight to avoid warping and fading.
- 3) Retain all packing material. It will make re-packing much easier and will reduce the likelihood of shipping damage.

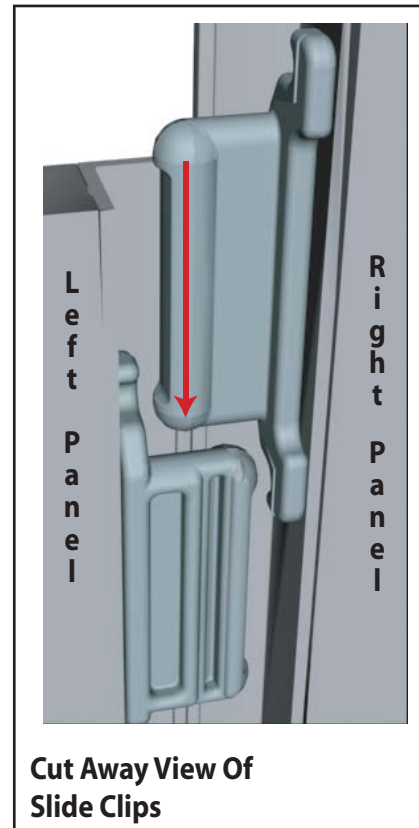
Level 1 = Blue
 Level 2 = Red
 Level 3 = Green
 Level 4 = Black

Color Code

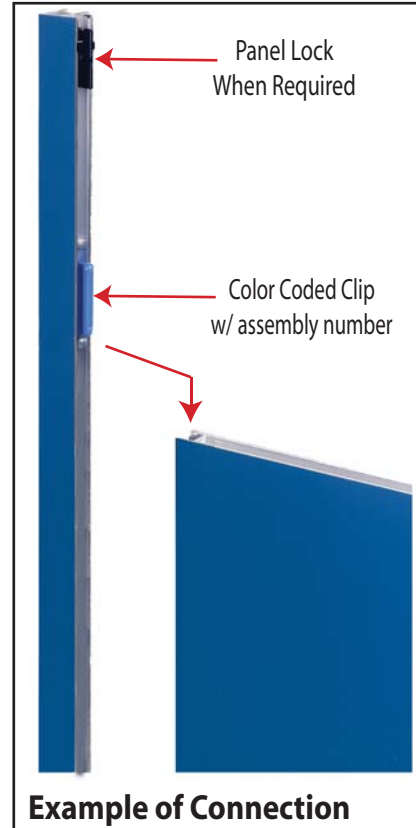
The top clip is color coded to distinguish the level. The color coded clip also contains the numbered label



Each component has 2 clips, the lower clip is ALWAYS black..



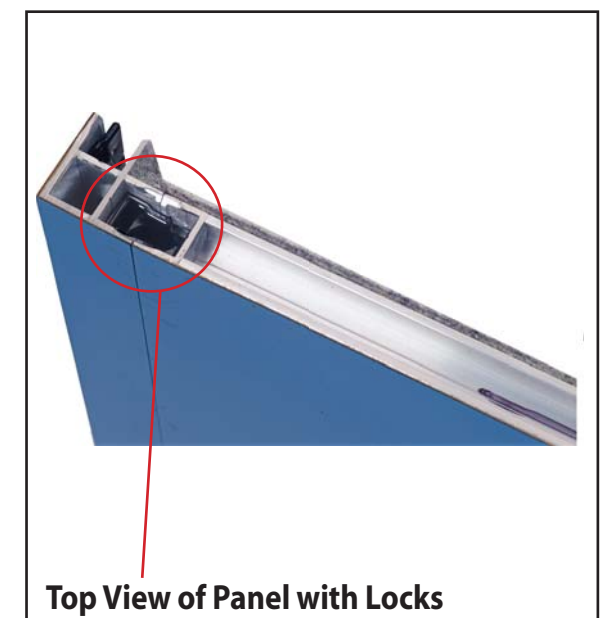
Components connect together by aligning them and sliding downward connecting clips together.



Configurations are assembled from left to right, usually starting with #1 and following the numbered sequence.



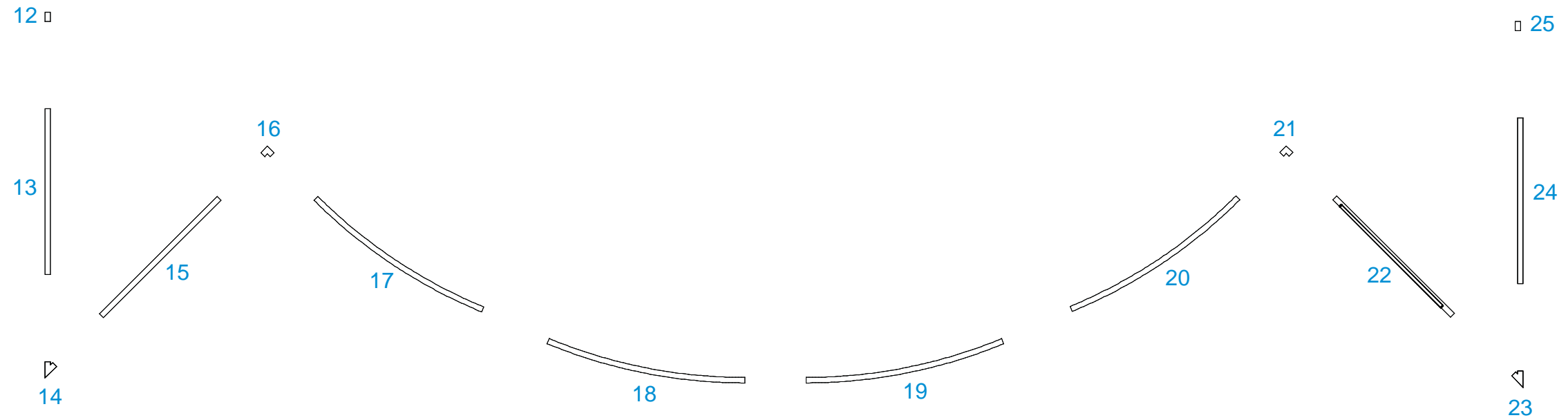
The first level of components contains panel locks that are located at the top of the panel for extra stability and a seamless connection. When disassembling panels, twist top connection slightly and lift right panel upward.



866.652.2100

Item Number	Description
12	47.5"h End Cap
13	19"w x 47.5"h Flat Panel
14	47.5"h 45° Connector
15	19"w x 47.5"h Flat Panel
16	47.5"h 90° Connector
17	57.5"r x 47.5"h Curve Panel
18	57.5"r x 47.5"h Curve Panel
19	57.5"r x 47.5"h Curve Panel
20	57.5"r x 47.5"h Curve Panel
21	47.5"h 90° Connector
22	19"w x 47.5"h Slatwall Panel
23	47.5"h 45° Connector
24	19"w x 47.5"h Flat Panel
25	47.5"h End Cap

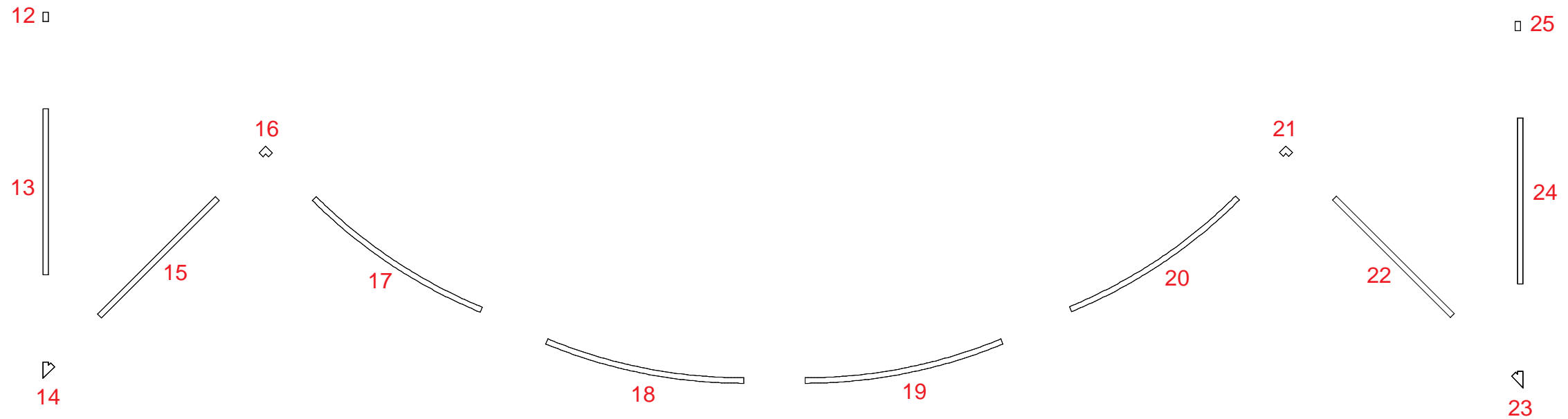
Steps:
 1) Assemble by starting at panel #1* and continue in numerical order.



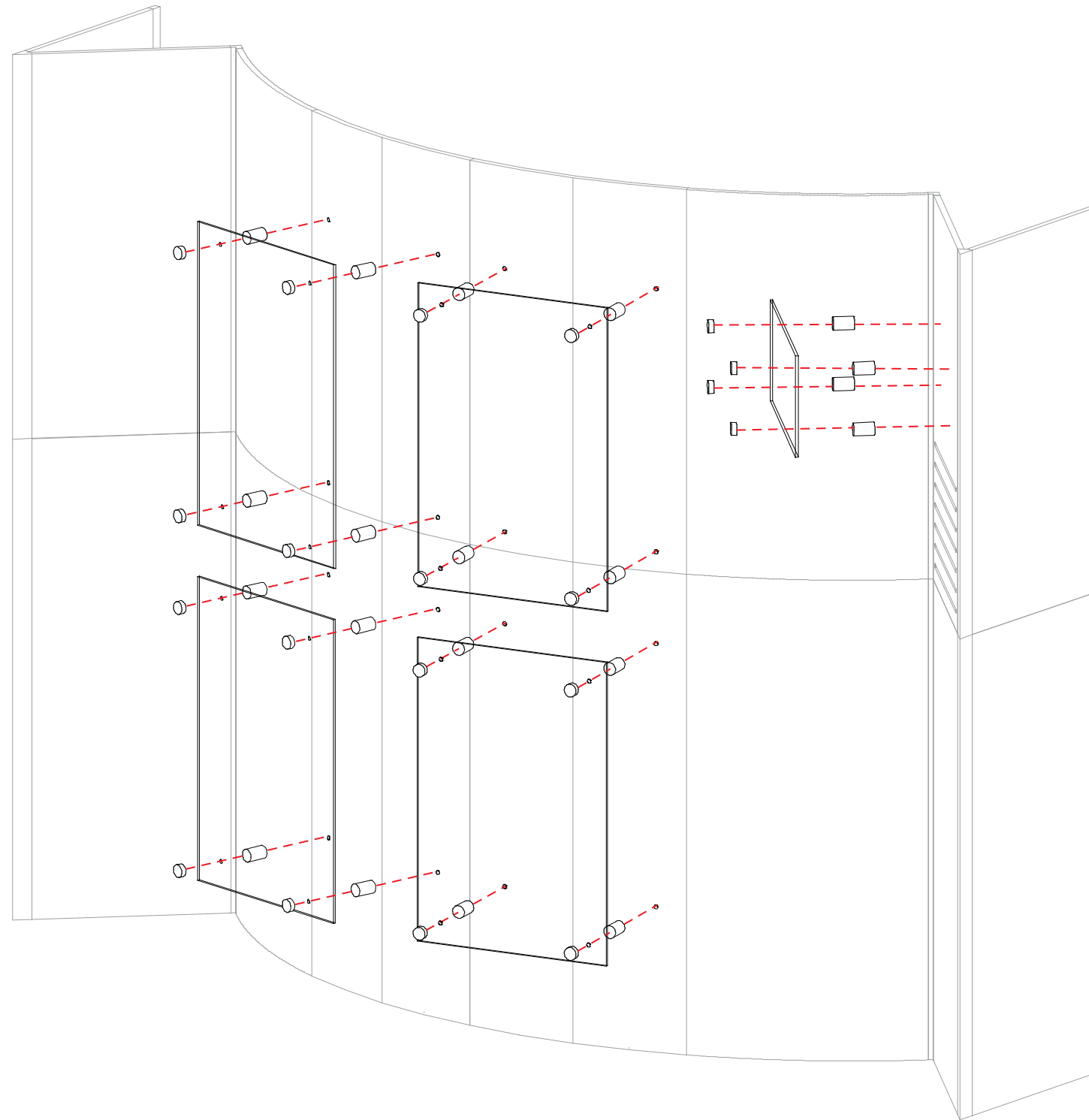
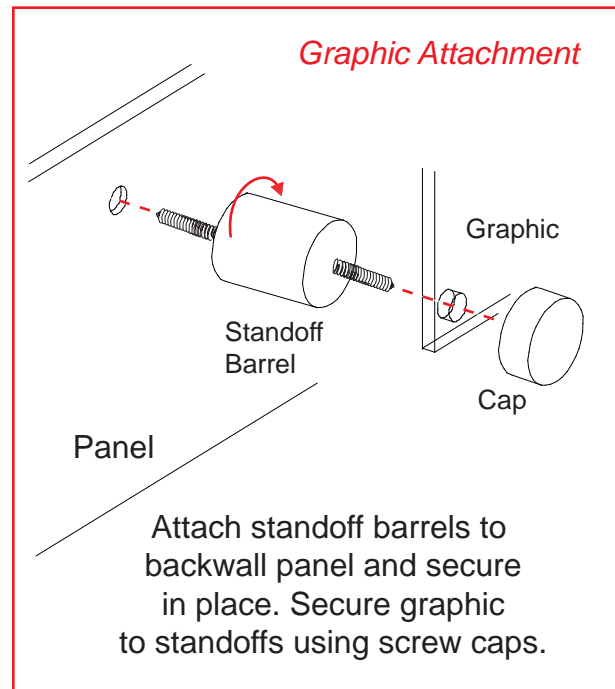
866.652.2100

Item Number	Description
12	38" h End Cap
13	19" w x 38" h Flat Panel
14	38" h 45° Connector
15	19" w x 38" h Flat Panel
16	38" h 90° Connector
17	57.5" r x 38" h Curve Panel
18	57.5" r x 38" h Curve Panel
19	57.5" r x 38" h Curve Panel
20	57.5" r x 38" h Curve Panel
21	38" h 90° Connector
22	19" w x 38" h Slatwall Panel
23	38" h 45° Connector
24	19" w x 38" h Flat Panel
25	38" h End Cap

Steps:
 1) Assemble by starting at panel #12* and continue in numerical order.

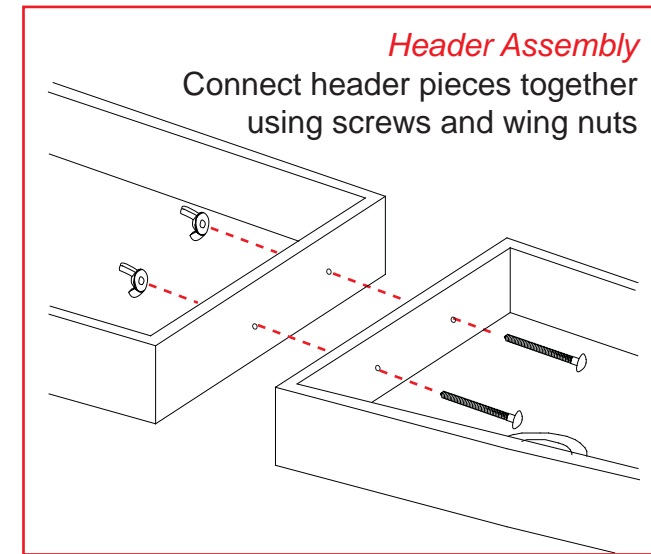
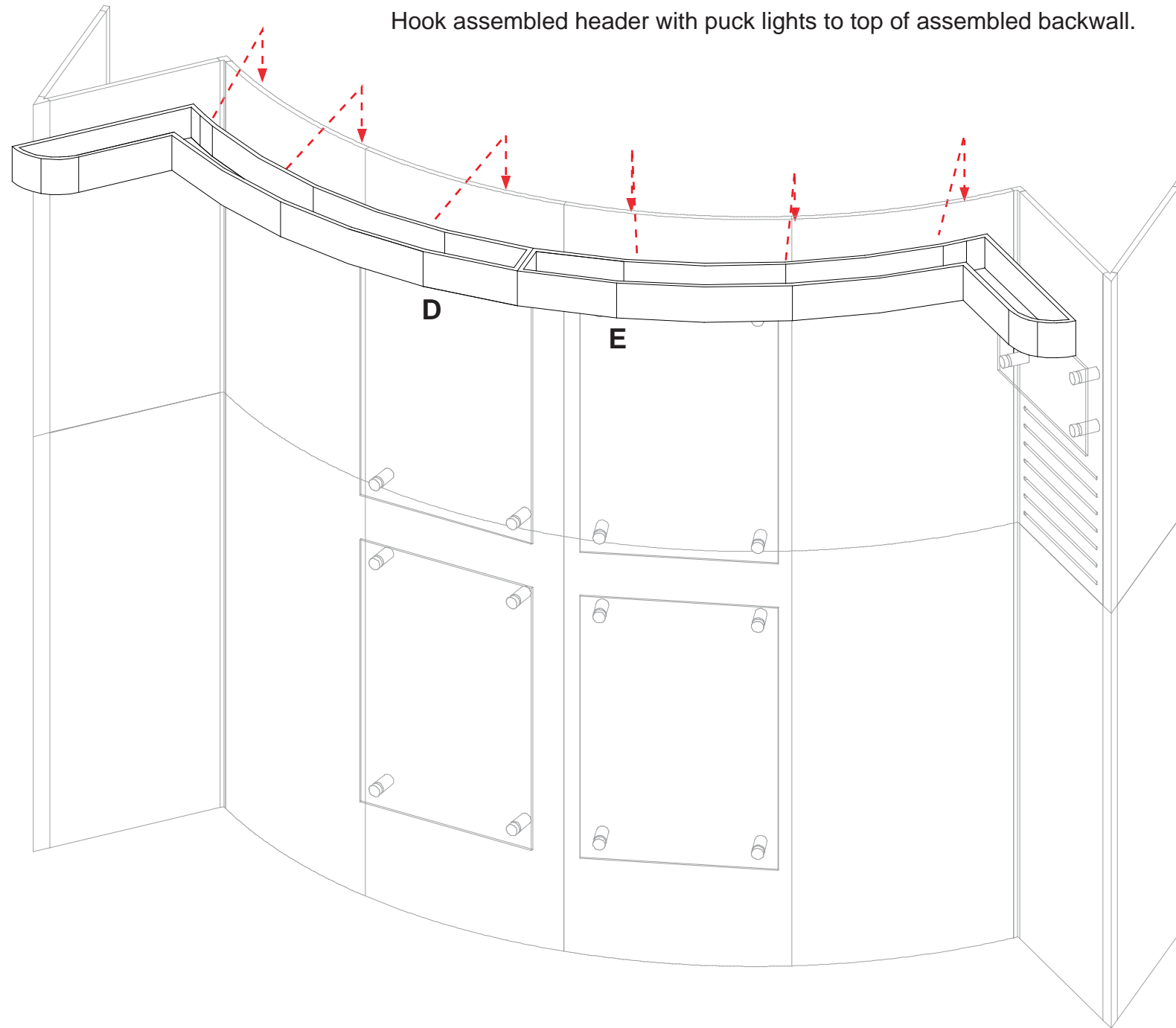


866.652.2100



866.652.2100

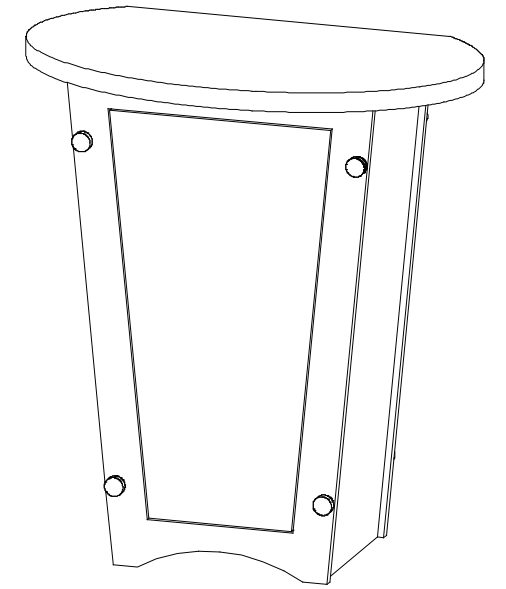
Hook assembled header with puck lights to top of assembled backwall.



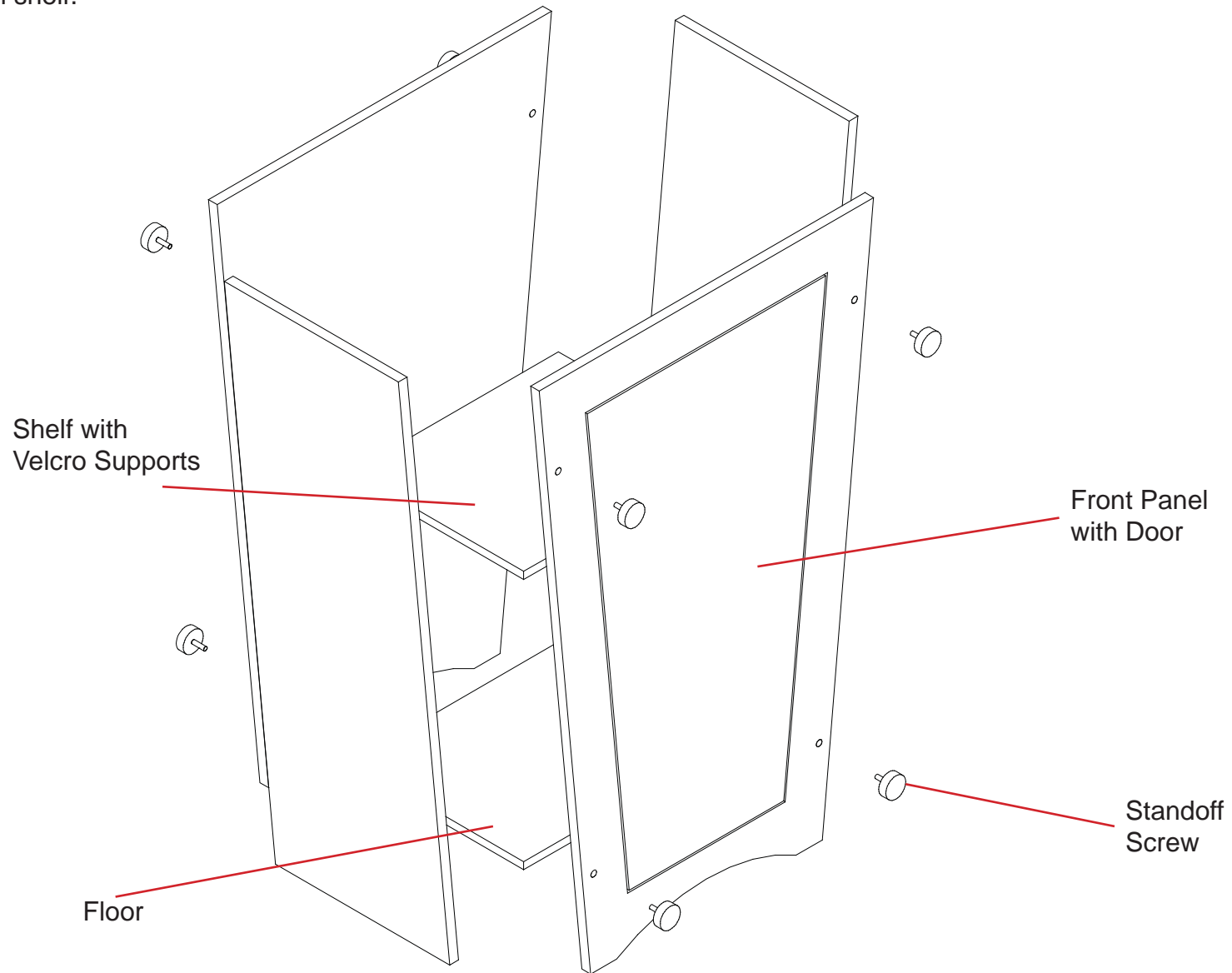
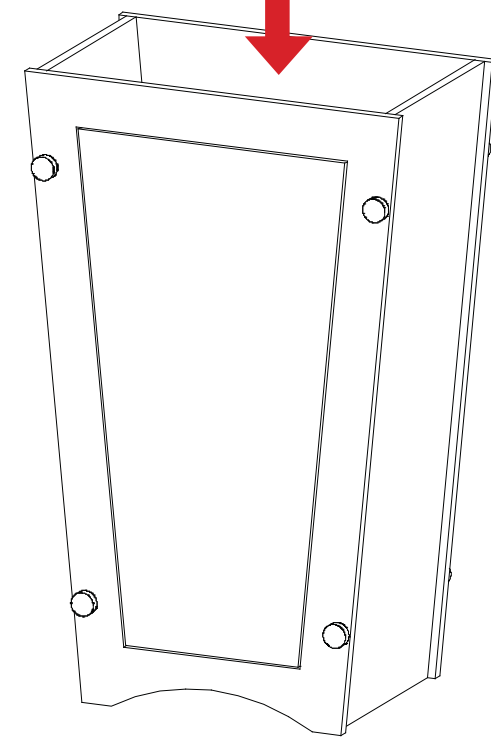
866.652.2100

Setup Instructions:

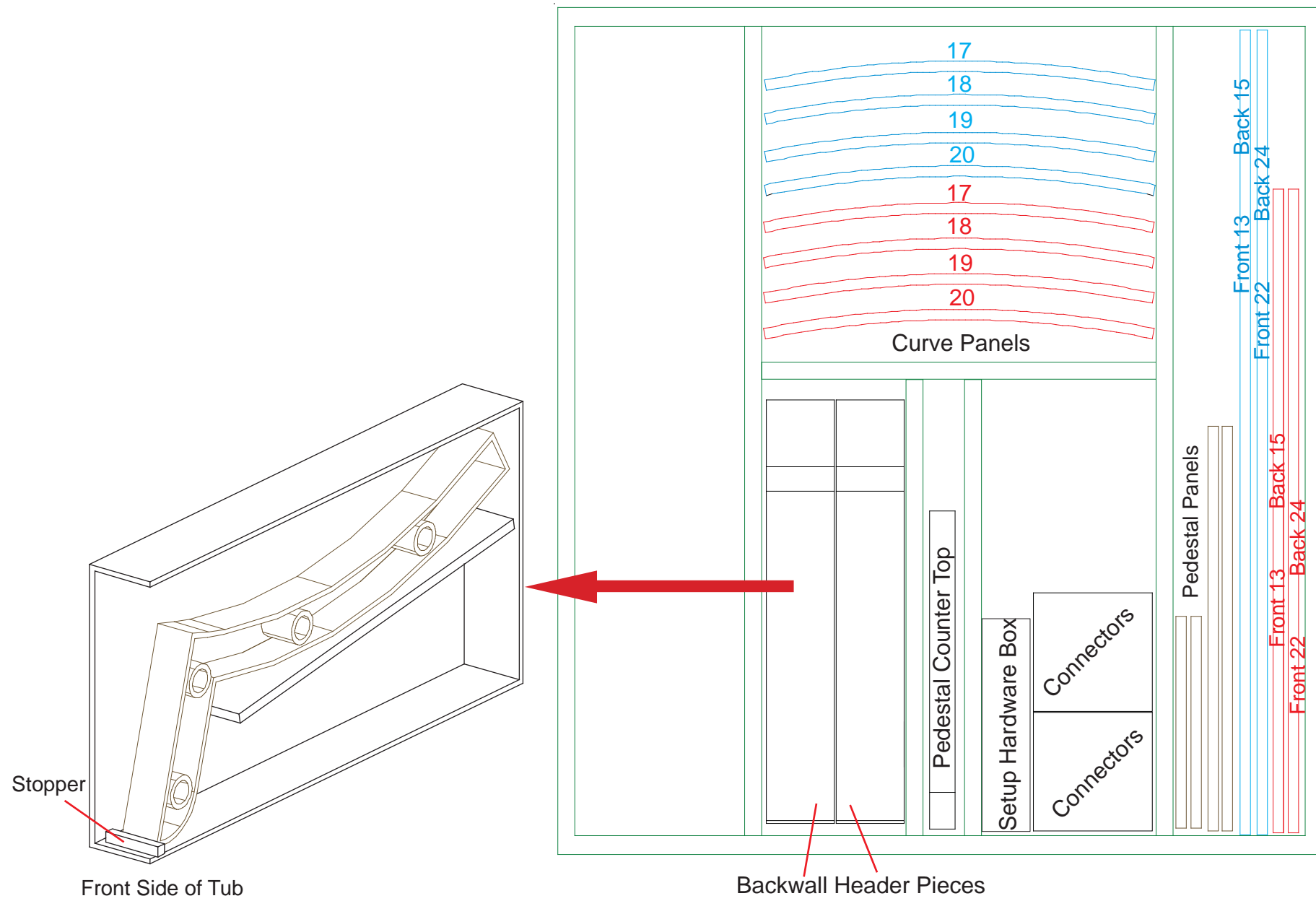
- A) Use standoff screws to secure the front panel with door and back panel of the pedestal to the side panels.
- B) After assembling front, back, and side panels, slide floor into the bottom of the pedestal. The floor will sit on pins on the inside of the side panels.
- C) After floor is in place, use velcro attachments to install shelf.



Place counter top on assembled base.



Front View of Jumbo Tub



Actual Photo of Jumbo Tub