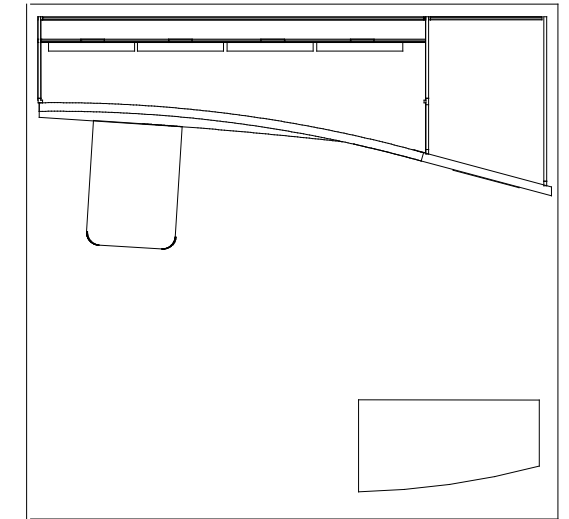
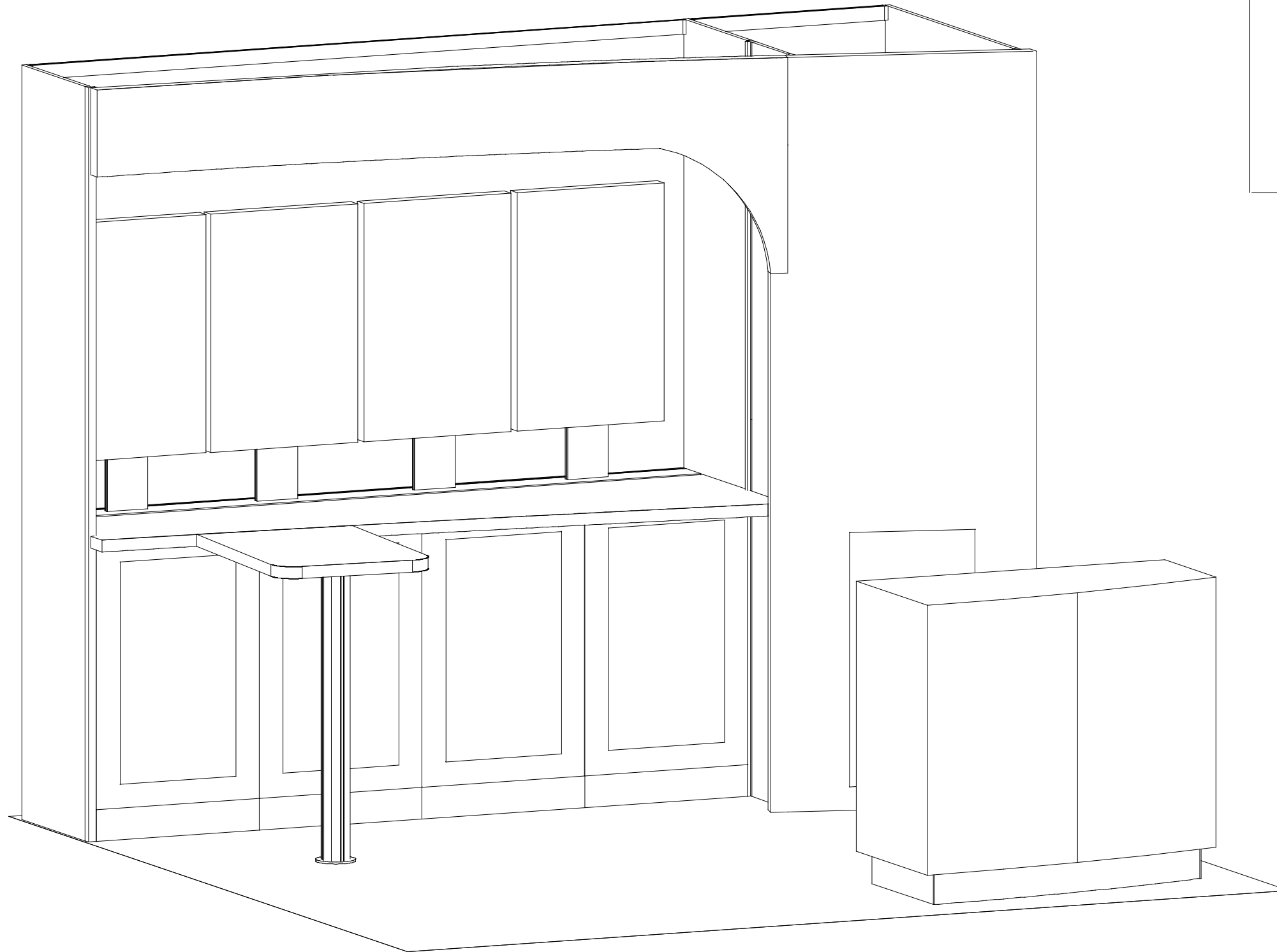


# euro It | *HYBRIDS*



Plan View

**WHEN DISASSEMBLING ALUMINUM EXTRUSION, TIGHTEN ALL SETSCREWS AND LOCKS TO PREVENT LOSS DURING SHIPPING**

# euro lt | HYBRIDS

## Using Your Setup Instructions

The Euro LT Hybrids Setup Instructions are created specifically for your configuration. They are laid out sequentially in levels, including exploded views, and a logical series of detailed steps to assemble the main structure and components. We encourage you to study the instructions **before** attempting to assemble your exhibit.

Each page reminds you to tighten the setscrews after disassembling your exhibit to prevent loss of the locks and setscrews (see below in RED). This is VERY IMPORTANT.

## Cleaning and Packing Your Display

- 1) Use care when cleaning aluminum extrusion or acrylic inserts. Use only non-abrasive cleaners.
- 2) When cleaning laminate inserts, countertops, or panels use mild cleansers and a soft material such as cotton.
- 3) Keep all display components away from extreme heat and long exposure to sunlight to avoid warping and fading.
- 4) Retain all packing material. It will make re-packing much easier and will reduce the likelihood of shipping damage.

## General Setup Instructions for Extrusion System



The Tool

Most exhibits can be assembled with the supplied Hex Key Tool. Occasionally, a flat head screwdriver may be required.

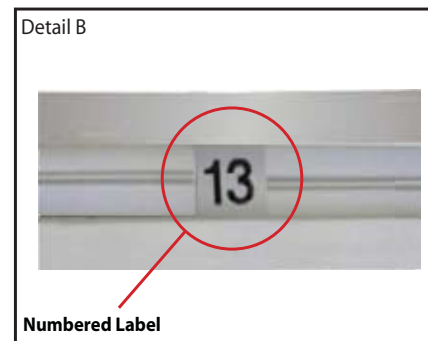


Typical Connection

Most horizontal extrusion connections have a patented expandable lock. This lock inserts into the groove of an opposing extrusion. Tightening the lock with the Hex Key Tool expands the lock and creates a strong positive connection.



Typical Connection (cont'd)



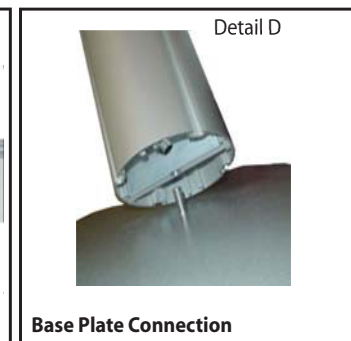
Numbered Label

Each extrusion contains a numbered label which corresponds with setup instructions. The label is located within a groove of the extrusion (when possible). With extrusion components the labels contain Black numbers unless otherwise specified.



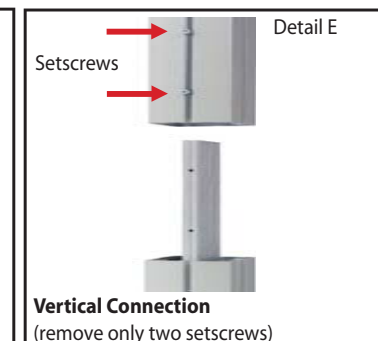
Horizontal Inline Connection (remove only one setscrew)

Remove only (1) setscrew when disassembling. Replace setscrew in extrusion after assembling it. Before packing, replace setscrew in extrusion to avoid losing it.



Base Plate Connection

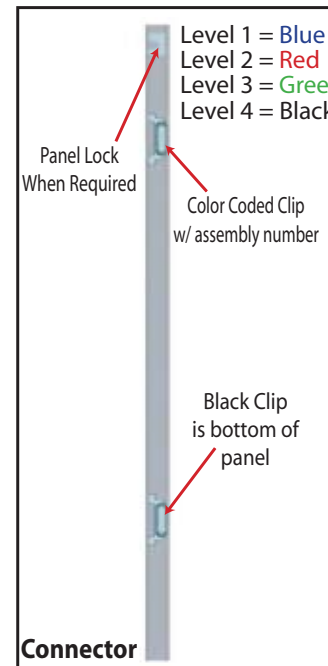
Attach base plate to round or square vertical extrusion using the bolt provided. Be careful not to strip the threads.



Vertical Connection (remove only two setscrews)

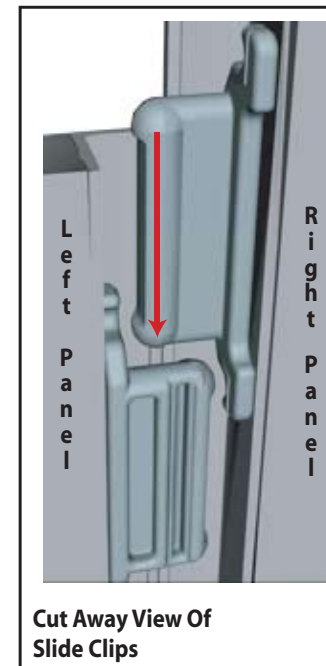
When vertical extrusions are packed in portable cases rather than crates or tubs, they must be broken down into smaller section which then require assembly.

Remove only (2) setscrews when disassembling. Replace setscrews in extrusion after assembling it. Before packing, replace setscrews in extrusion to avoid losing them.



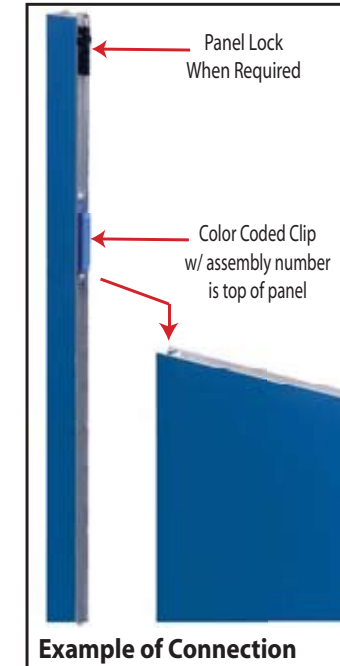
Connector

Each component has 2 clips, the lower clip is ALWAYS black. The top clip is color coded to distinguish which level. The color coded clip also contains the numbered label.



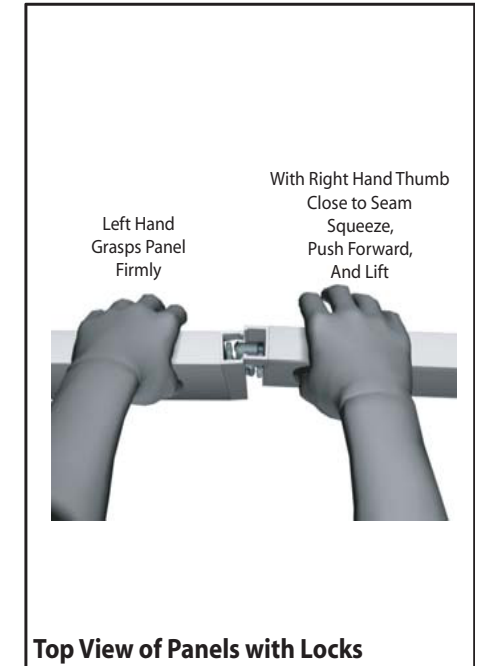
Cut Away View Of Slide Clips

Components connect together by aligning them and sliding downward connecting clips together.



Example of Connection

Configurations are assembled from left to right, usually starting with #1 and following the numbered sequence.



Top View of Panels with Locks

The first level of components contain panel locks that are located at the top of the panel for extra stability and seamless connection. When disassembling panels twist top connection slightly and lift right panel upward.

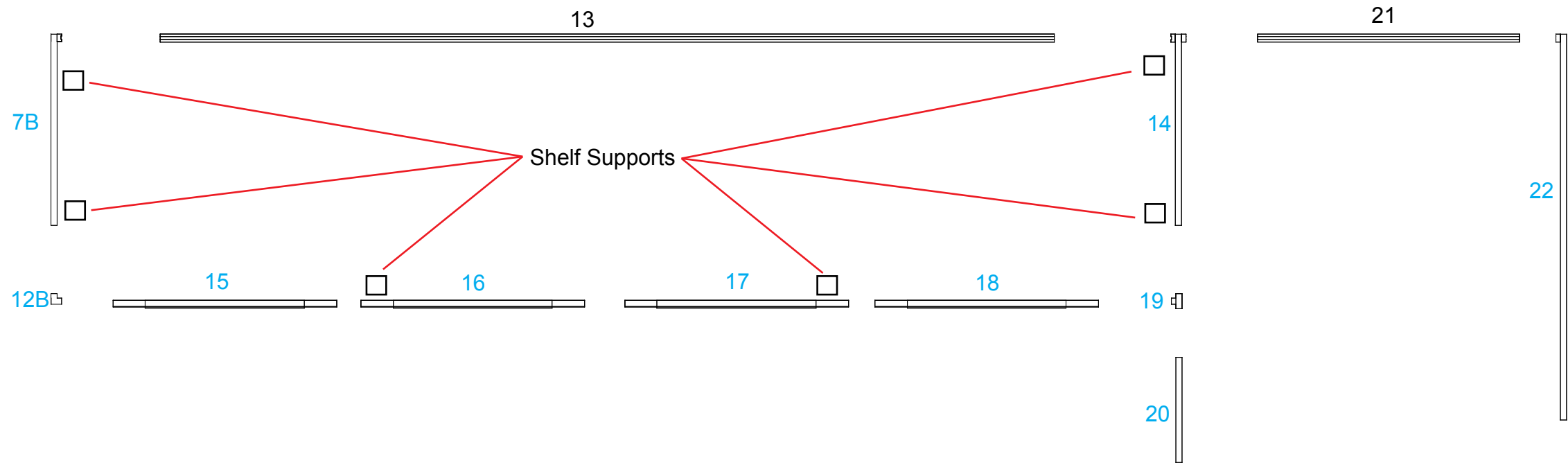
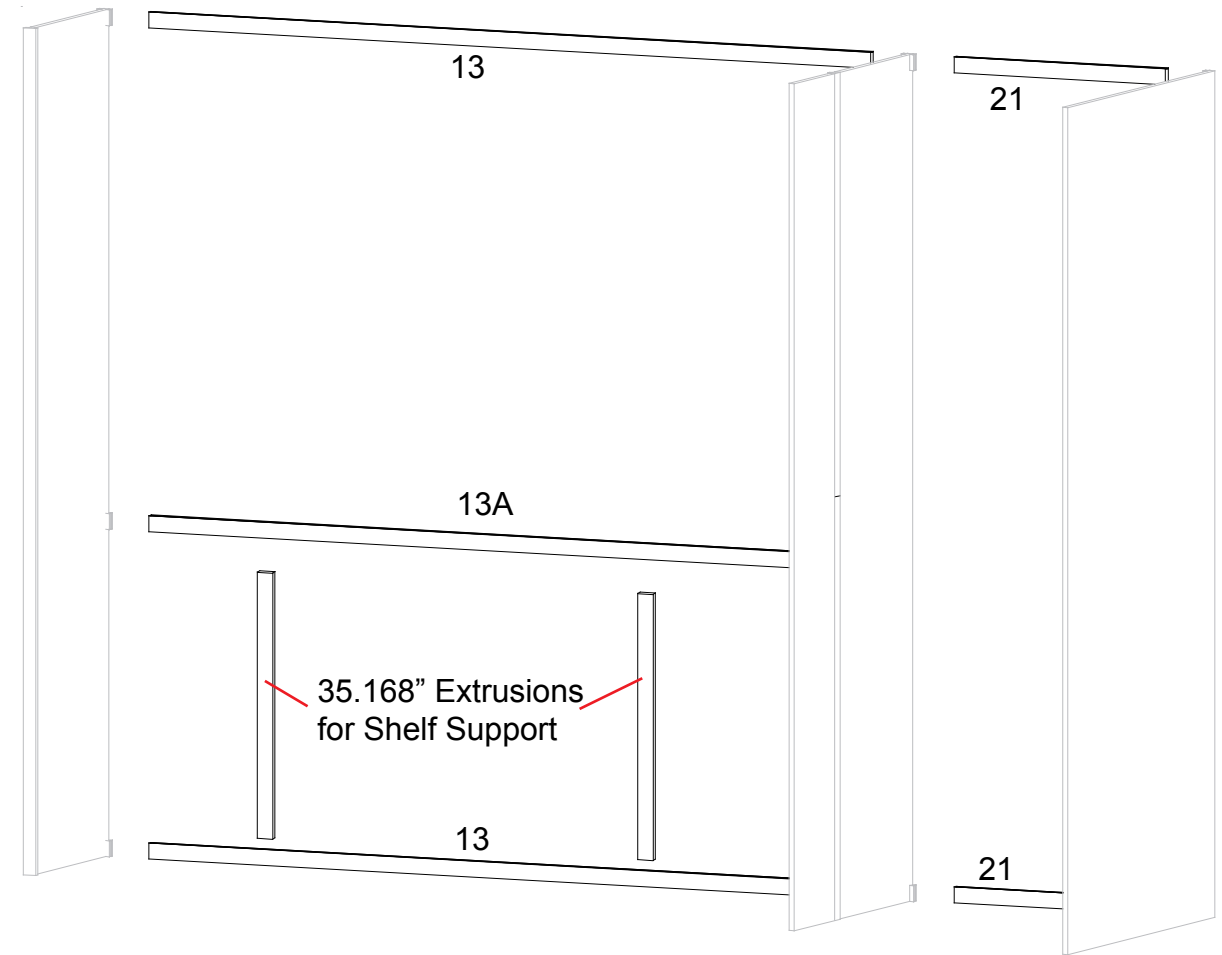
**WHEN DISASSEMBLING ALUMINUM EXTRUSION, TIGHTEN ALL SETSCREWS AND LOCKS TO PREVENT LOSS DURING SHIPPING**

866.652.2100

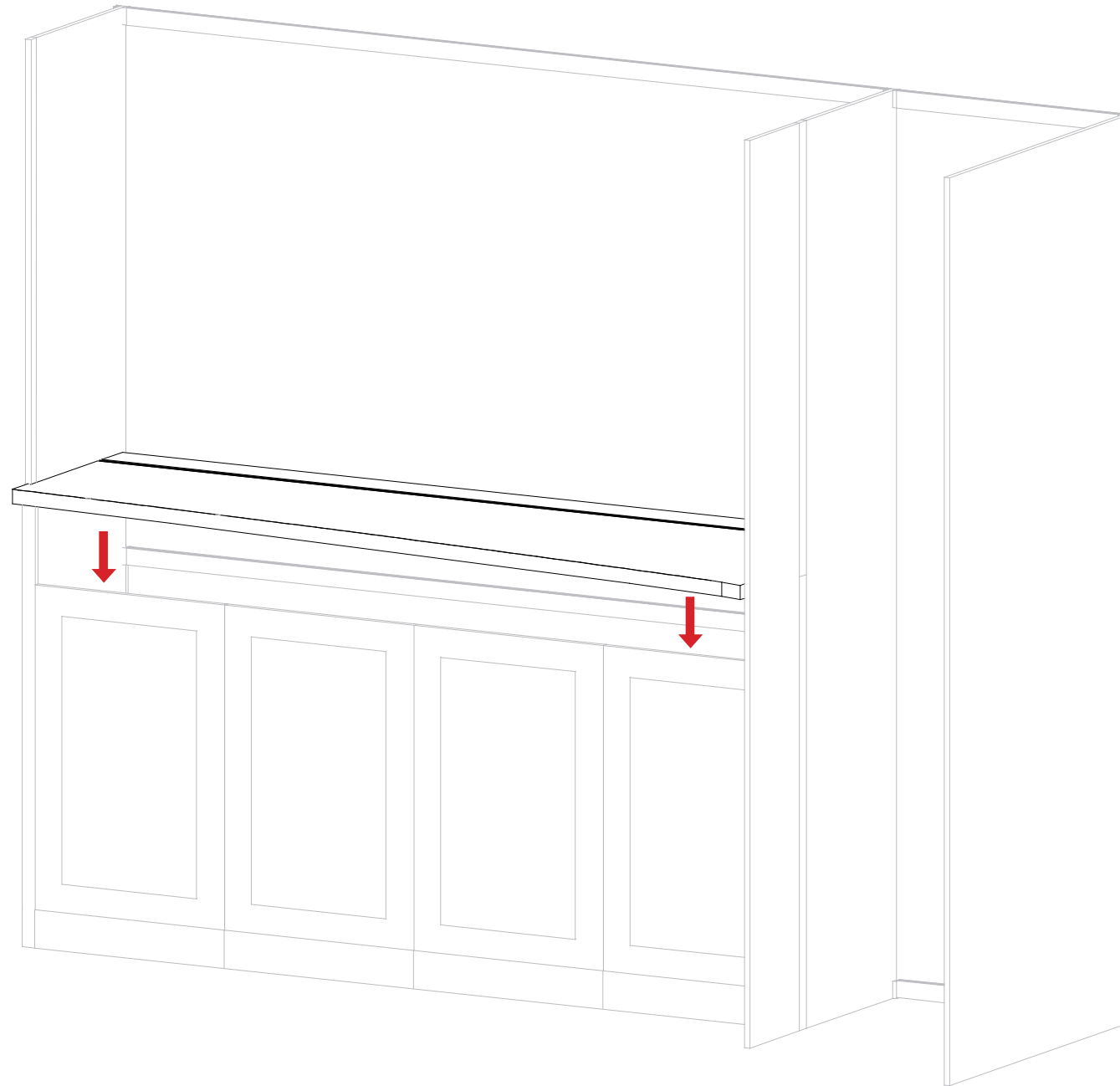
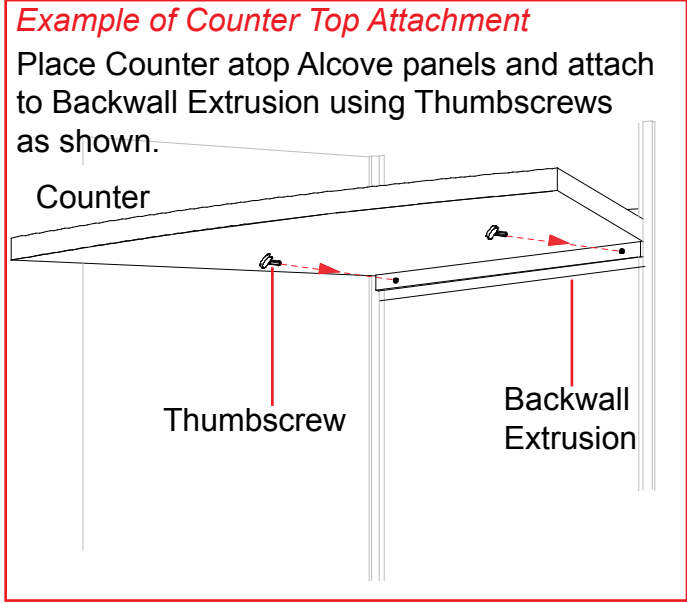
Item	Qty.	Description
7B	1	19.5"w x 95"h Flat Panel
12B	1	95"h Milled Off 90° Connector
13/13A	2/1	88.6028"w Extrusion/88.6028"w Extrusion w/ Holes for Counter Connection
14	1	19.5"w x 95"h Flat Panel
15	1	22.1620"w x 38"h Flat Door Panel
16	1	22.1620"w x 38"h Flat Door Panel
17	1	22.1620"w x 38"h Flat Door Panel
18	1	22.1620"w x 38"h Flat Door Panel
19	1	95"h Milled Off T- Connector
20	1	10.475"w x 95"h Flat Panel
21	2	25.9254"w Extrusion
22	1	38.3378"w x 95"h Flat Panel

Steps

- 1) Connect horizontal extrusions [13 and 13A] between panels [7B and 14] refer to Detail A on General Info page.
- 2) Attach door panels [15 thru 18] together then attach connector [19].
- 3) Attach panel [20] to connector [19] as shown below.
- 4) Connect horizontal extrusions [21] between panels [14 and 22] refer to Detail A on General Info page.
- 5) Place shelf supports as shown and set internal shelf atop.

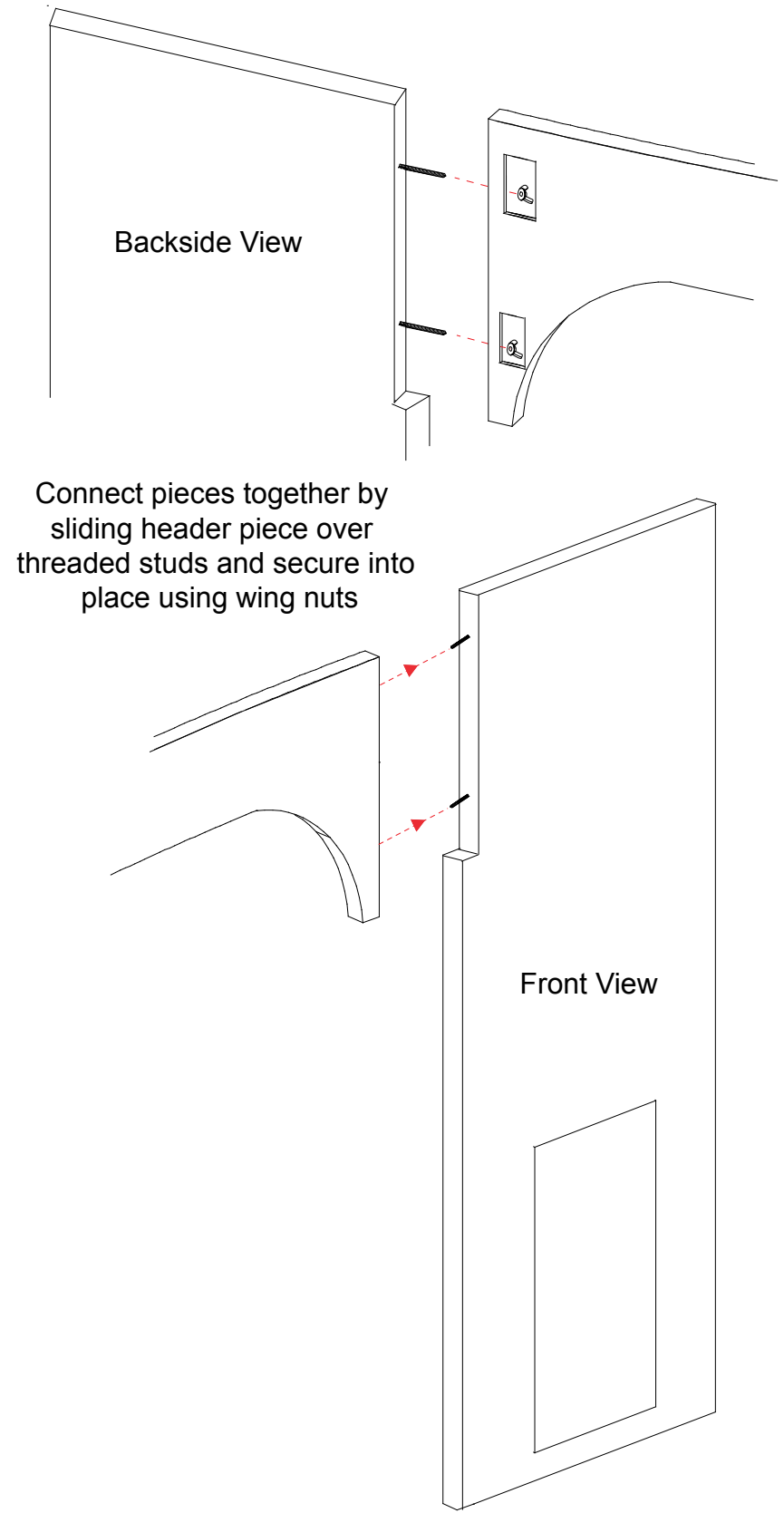


**WHEN DISASSEMBLING ALUMINUM EXTRUSION, TIGHTEN ALL SETSCREWS AND LOCKS TO PREVENT LOSS DURING SHIPPING**

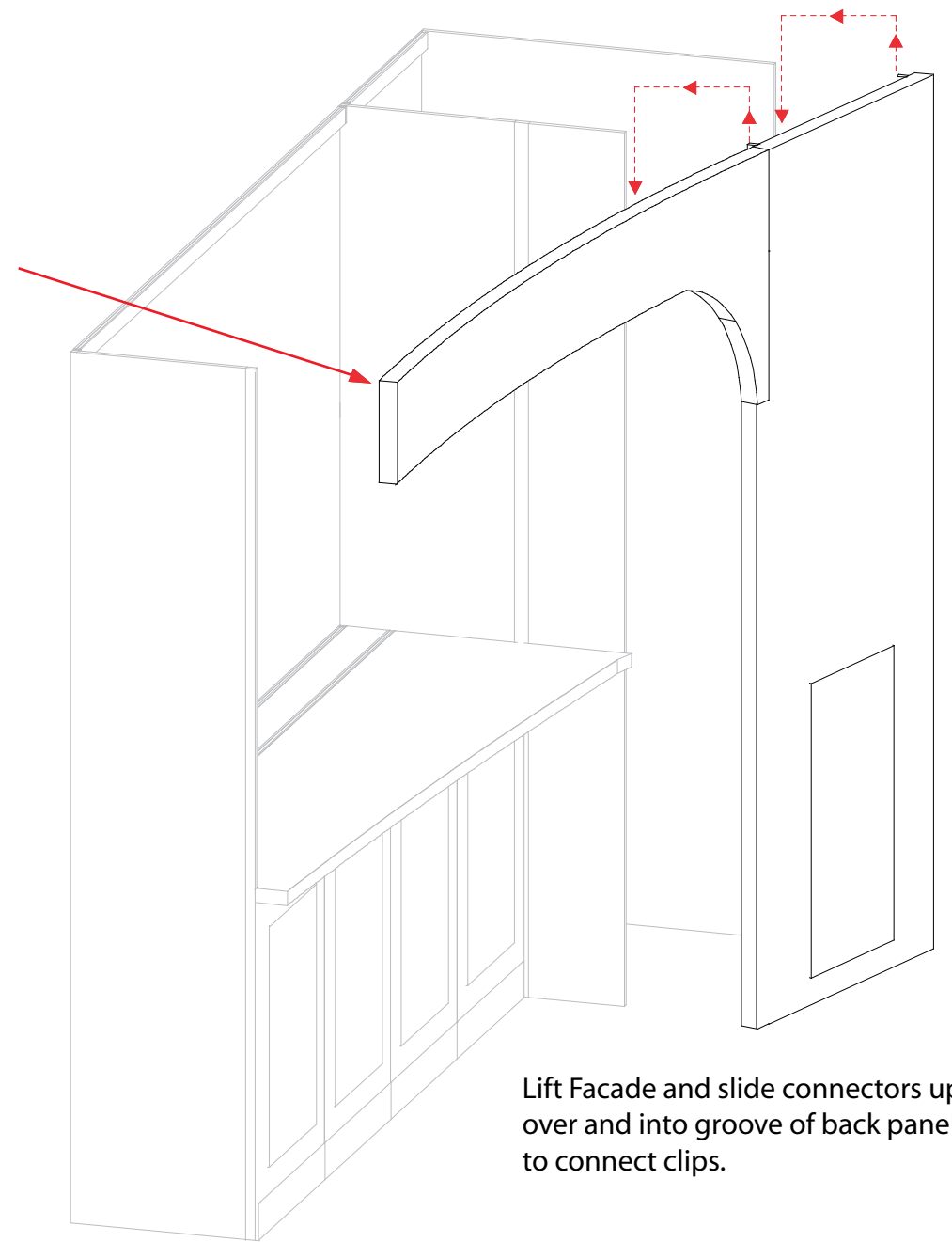


**WHEN DISASSEMBLING ALUMINUM EXTRUSION, TIGHTEN ALL SETSCREWS AND LOCKS TO PREVENT LOSS DURING SHIPPING**

866.652.2100



Header piece attaches to connector piece via hooks.



**WHEN DISASSEMBLING ALUMINUM EXTRUSION, TIGHTEN ALL SETSCREWS AND LOCKS TO PREVENT LOSS DURING SHIPPING**

866.652.2100

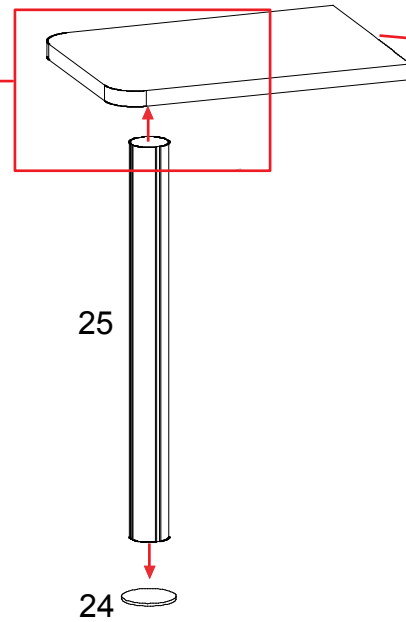
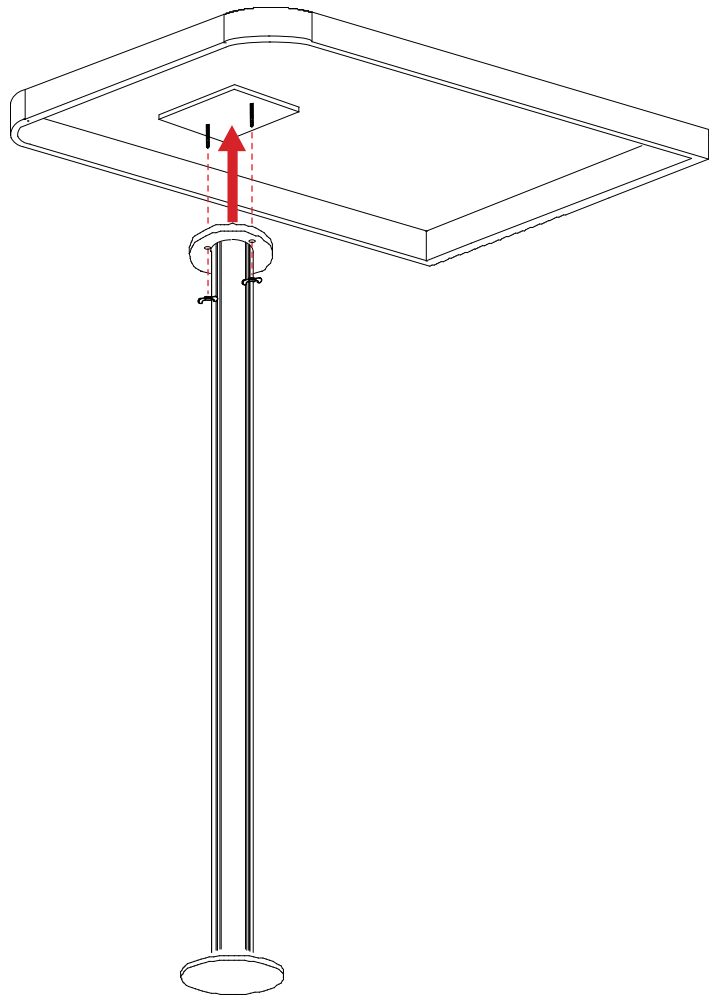
Item	Qty.	Description
24	1	Base Plate
25	1	37.75"h Vertical Extrusion

Steps

- 1) Connect vertical extrusion [25] to base plate [24] refer to Detail D on General Info Page.
- 2) Attach counter to leg as shown below.
- 3) Using clamps provided attach counter assembly to backwall.

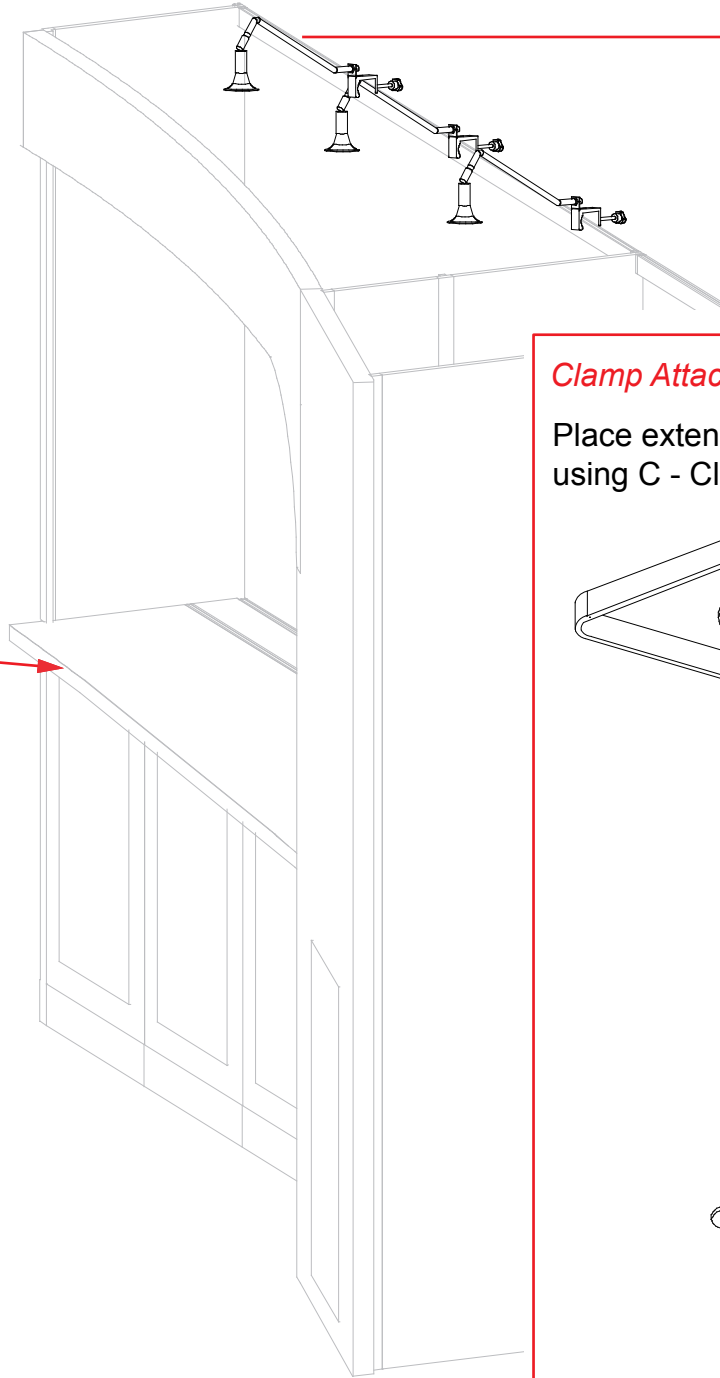
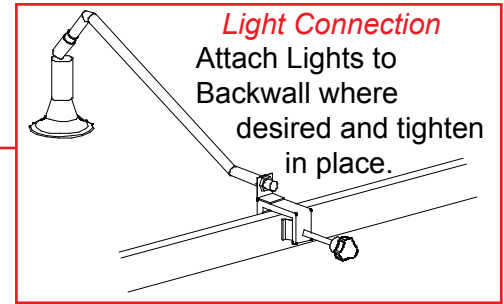
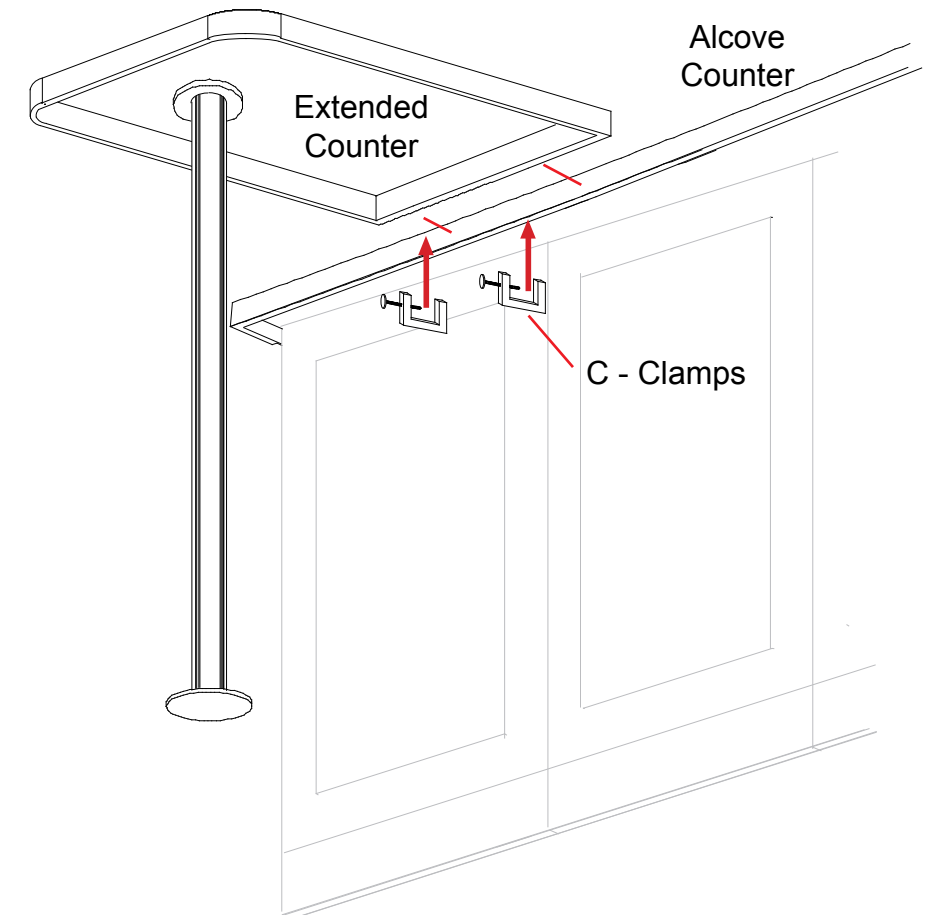
**Counter Top Attachment**

Insert screws located on underside of counter into holes on flange plate and secure with wing nuts.



**Clamp Attachment**

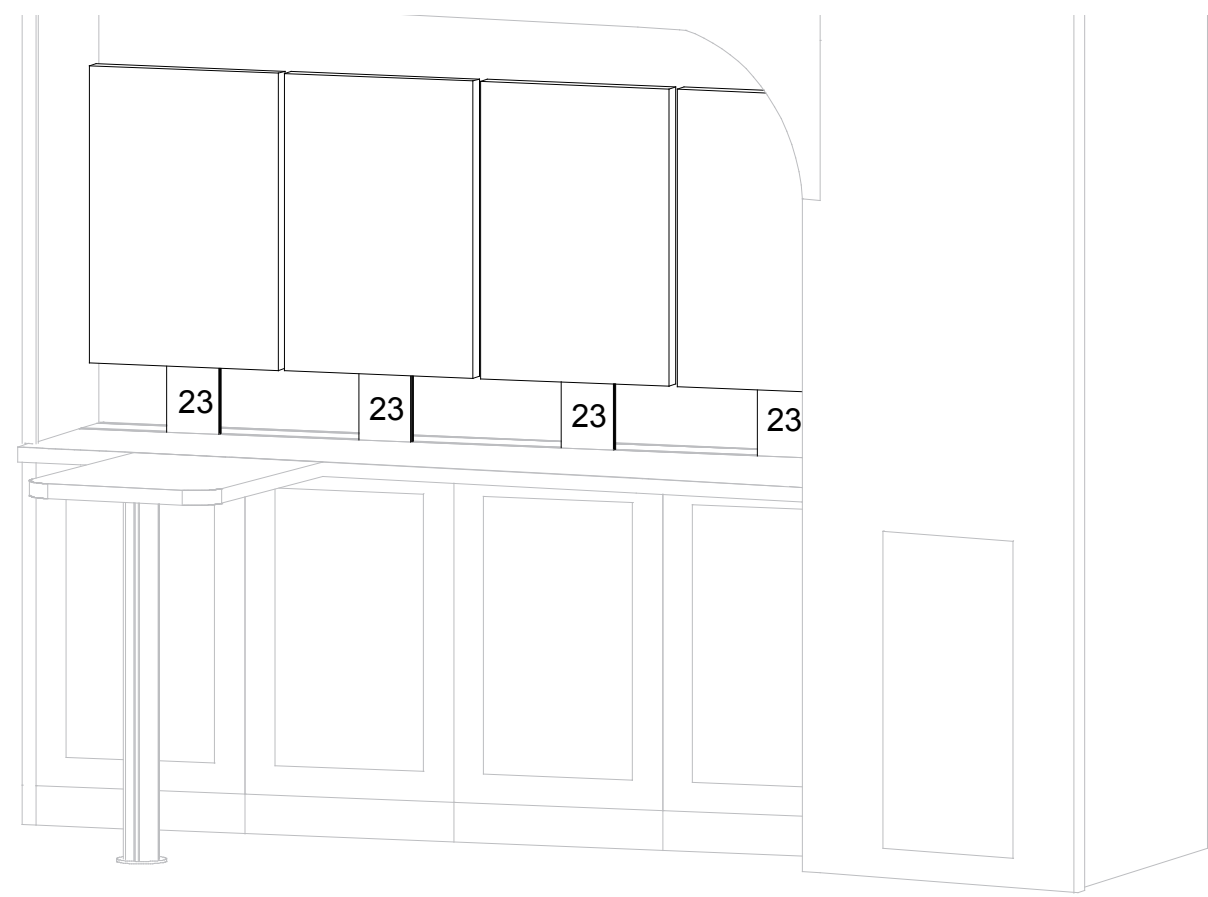
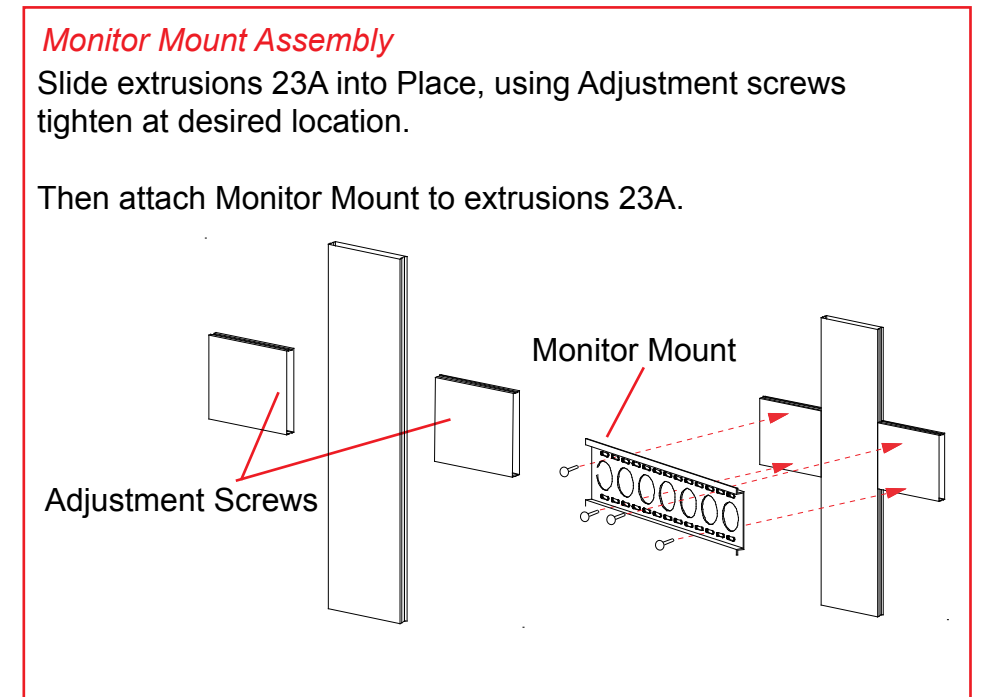
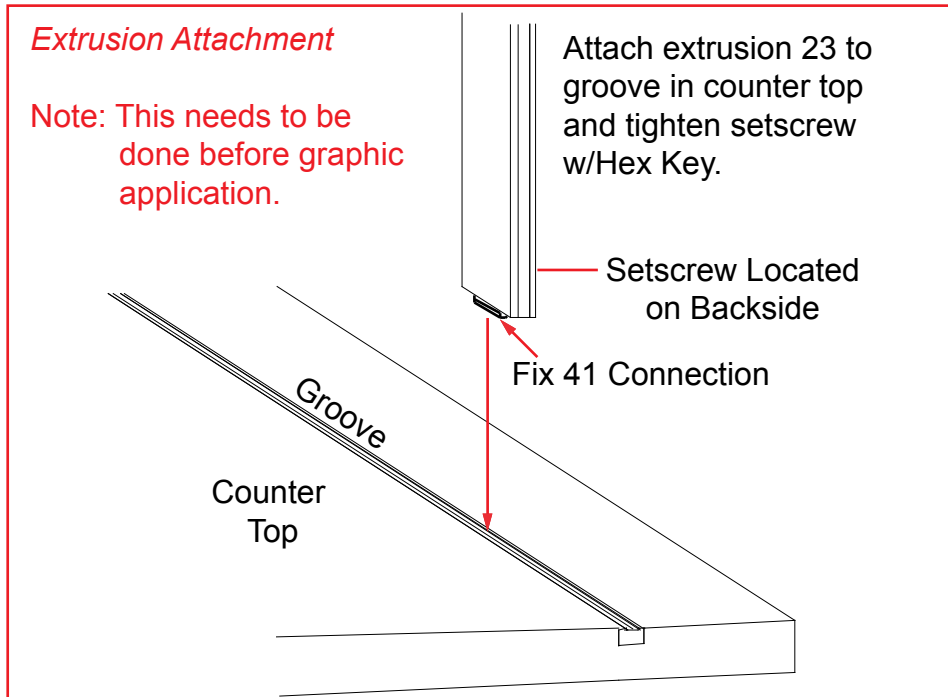
Place extended counter portion up against Alcove counter, using C - Clamps provided secure counter tops together.



**WHEN DISASSEMBLING ALUMINUM EXTRUSION, TIGHTEN ALL SETSCREWS AND LOCKS TO PREVENT LOSS DURING SHIPPING**

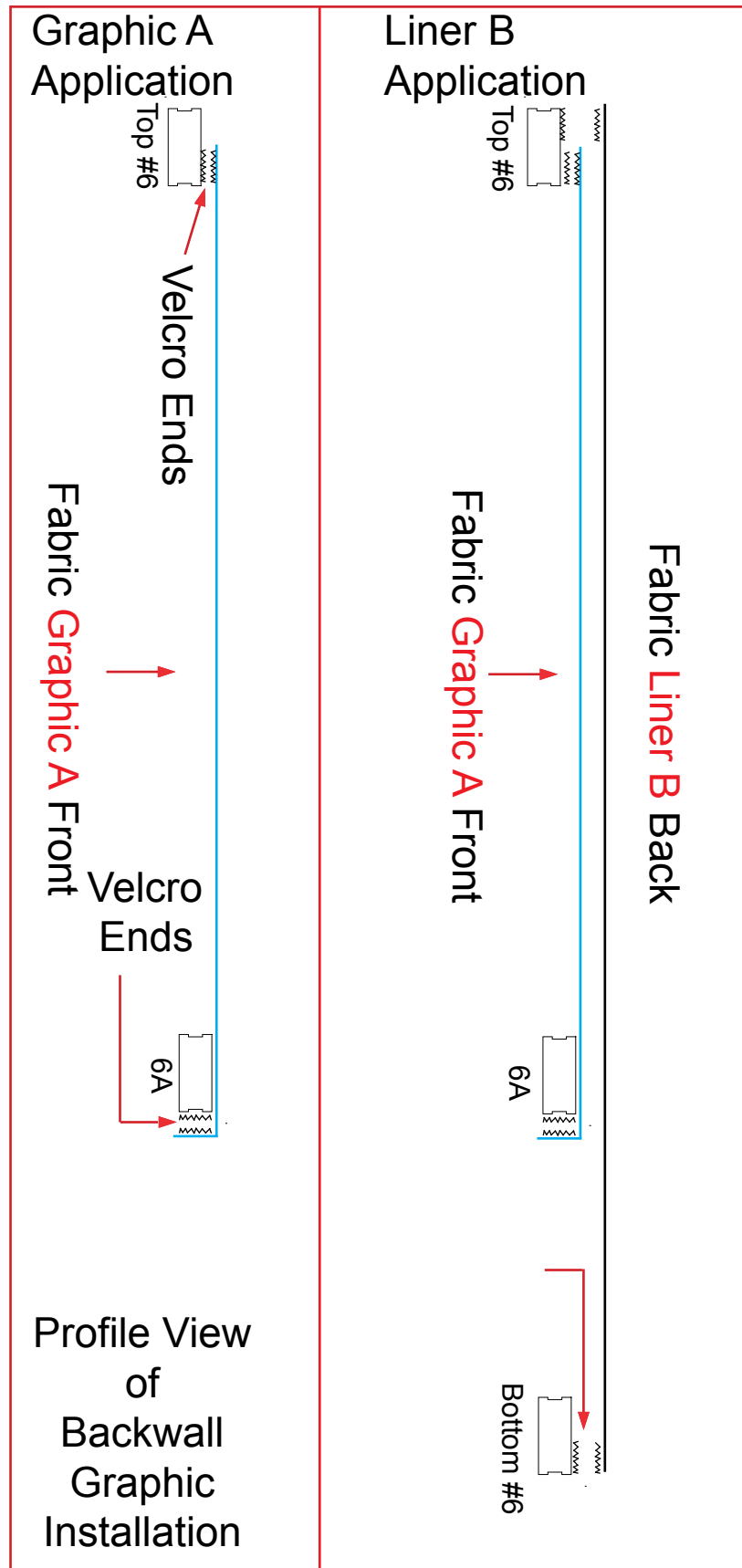
866.652.2100

Item	Qty.	Description
23	4	24" Extrusion
23A	8	Mount Extrusion



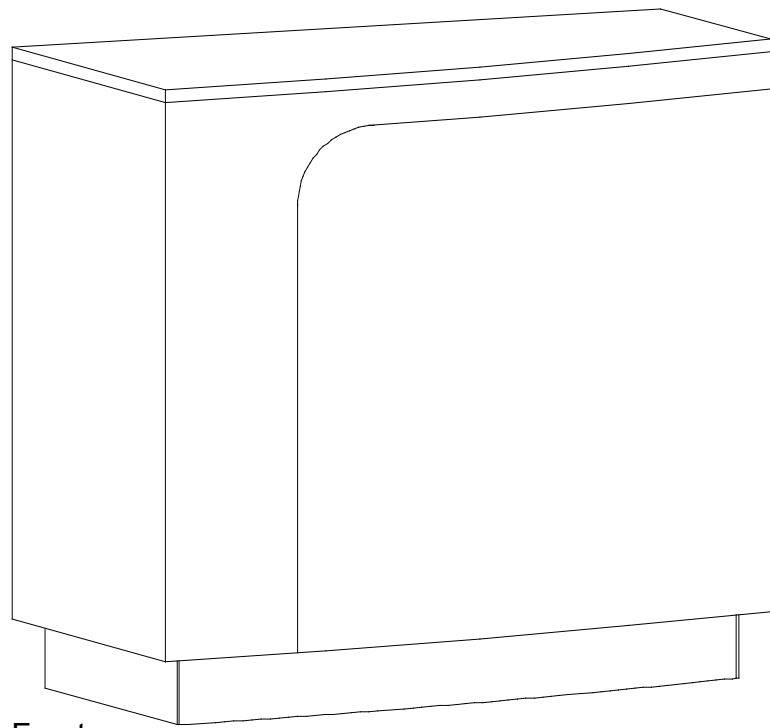
**WHEN DISASSEMBLING ALUMINUM EXTRUSION, TIGHTEN ALL SETSCREWS AND LOCKS TO PREVENT LOSS DURING SHIPPING**

At this point attach graphics to Backwall, refer to detail at right and reference 1st Backwall setup page.

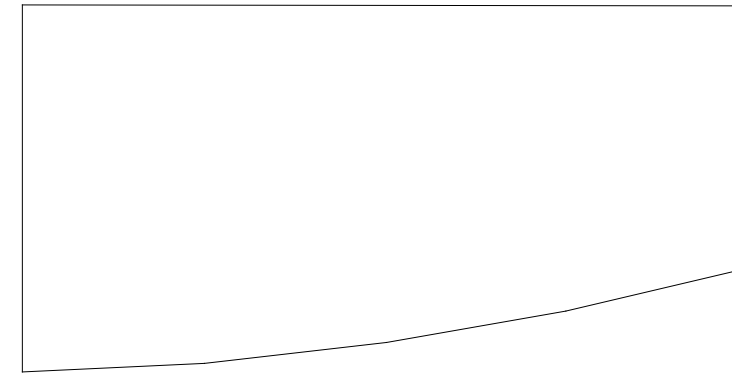


WHEN DISASSEMBLING ALUMINUM EXTRUSION, TIGHTEN ALL SETSCREWS AND LOCKS TO PREVENT LOSS DURING SHIPPING

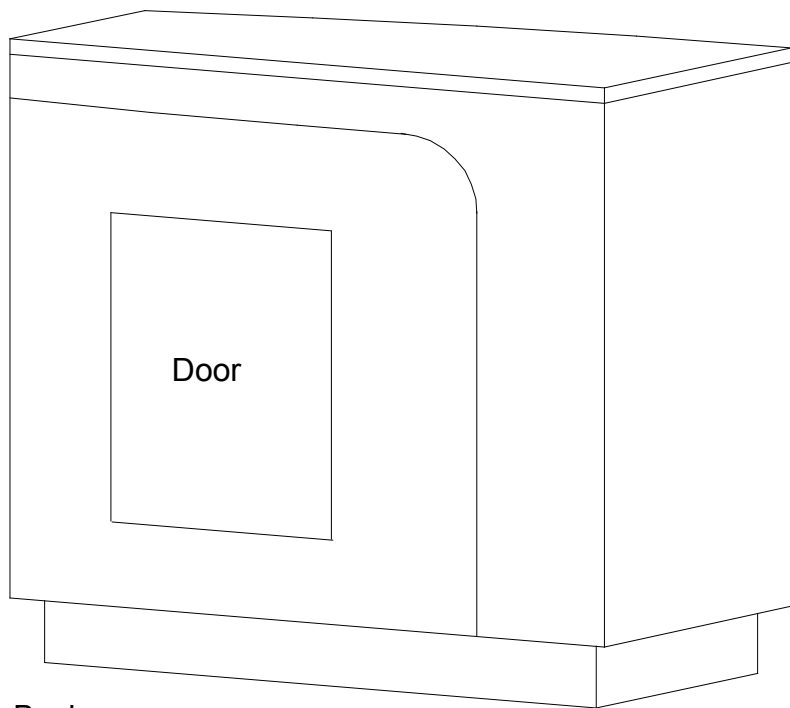
866.652.2100



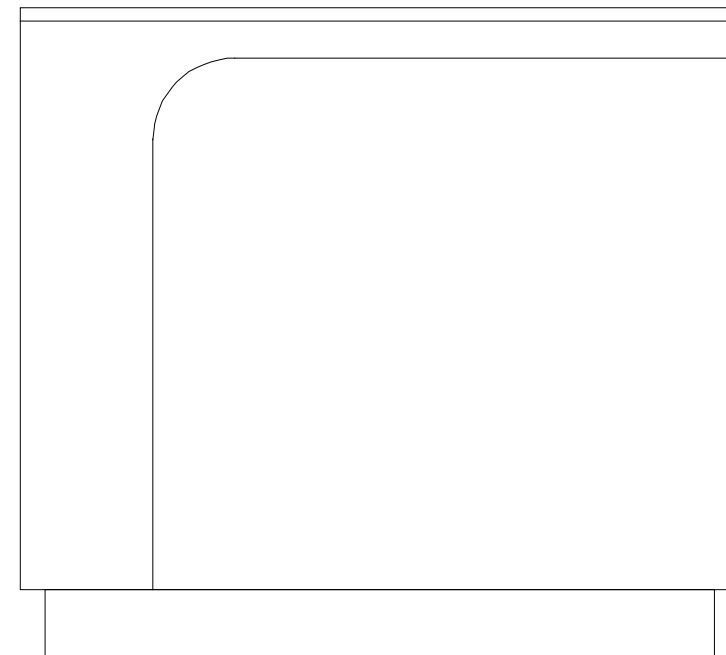
Front



Top



Back

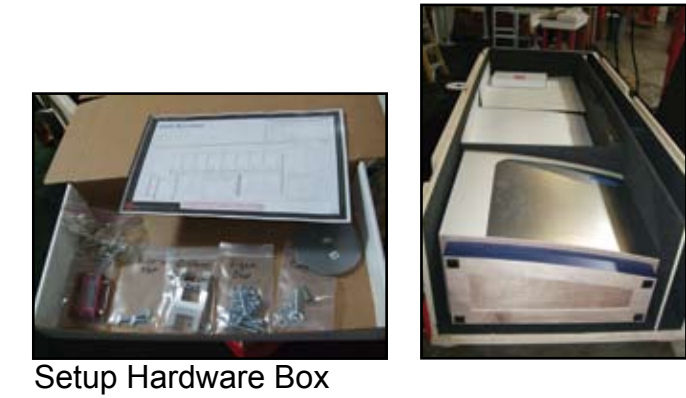
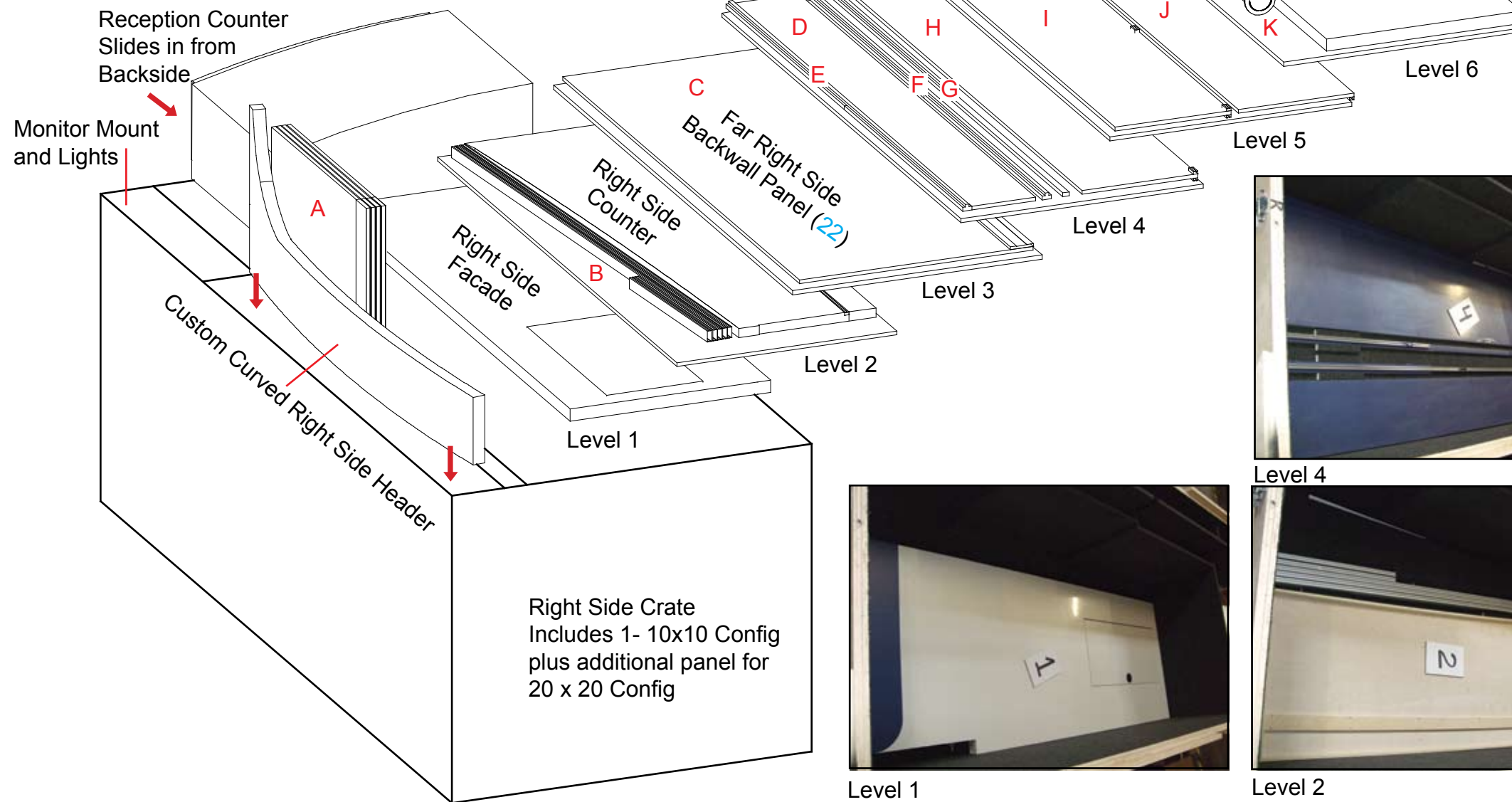


Front

WHEN DISASSEMBLING ALUMINUM EXTRUSION, TIGHTEN ALL SETSCREWS AND LOCKS TO PREVENT LOSS DURING SHIPPING

Right Side

- A- Front Door Panels (15, 16, 17, 18)
- B- Backwall Extrusions (13, 13A, 21)
- C- Backwall Panel (22)
- D- Backwall Panel (20)
- E- T-Connector (19)
- F- T-Connector (12)
- G- 90° Connector for 10 x 10 reconfigure (12B)
- H- Backwall Panel (14)
- I- Backwall Panel (7)
- J- Backwall Panel for 10 x 10 for 10 x 10 reconfigure (7B)
- K- Round Extrusion (24/25)
- L- Light Box/Monitor Mounts (23) qty:4  
(23A) qty: 8



**WHEN DISASSEMBLING ALUMINUM EXTRUSION, TIGHTEN ALL SETSCREWS AND LOCKS TO PREVENT LOSS DURING SHIPPING**