

With Hanging Product Frames

WHEN DISASSEMBLING ALUMINUM EXTRUSION, TIGHTEN ALL SETSCREWS AND LOCKS TO PREVENT LOSS DURING SHIPPING

visionary™ IDESIGNS

Using Your Setup Instructions

The Visionary Designs Setup Instructions are created specifically for your configuration. They are laid out sequentially, including an exploded view of the entire display, and then a logical series of detailed steps to assemble the main structure and components. We encourage you to study the instructions **before** attempting to assemble your exhibit.

Each page reminds you to tighten the setscrews after disassembling your exhibit to prevent loss of the locks and setscrews (see below in RED). This is **VERY IMPORTANT**.

Cleaning and Packing Your Display

- 1) Use care when cleaning aluminum extrusion or acrylic inserts. Use only non-abrasive cleaners.
- 2) When cleaning laminate inserts or countertops, use mild cleansers and a soft material such as cotton.
- 3) Keep all display components away from extreme heat and long exposure to sunlight to avoid warping and fading.
- 4) Retain all packing material. It will make re-packing much easier and will reduce the likelihood of shipping damage.



The Tool

Most Visionary Designs exhibits can be assembled with the supplied Hex Key Tool. Occasionally, a flat head screwdriver may be required.



Typical Connection



Typical Connection (cont'd)

Most horizontal extrusion connections have a patented expandable lock. This lock inserts into the groove of an opposing extrusion. Tightening the lock with the Hex Key Tool expands the lock and creates a strong positive connection.



Detail B

Numbered Label

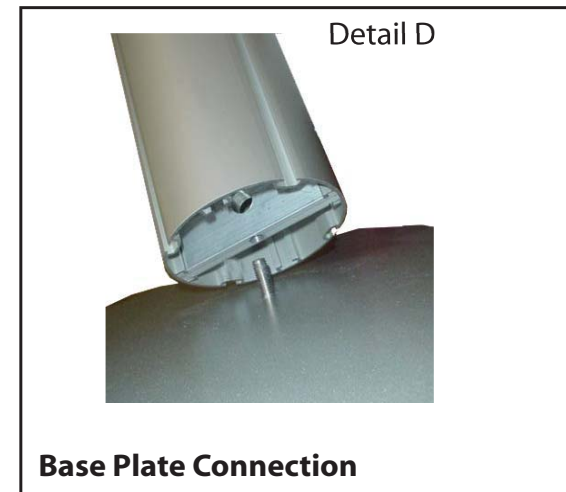
Each extrusion contains a numbered label which corresponds with setup instructions. The label is located within a groove of the extrusion (when possible). With Visionary Designs the labels contain Black numbers unless otherwise specified.



Detail C

Horizontal Inline Connection (remove only one setscrew)

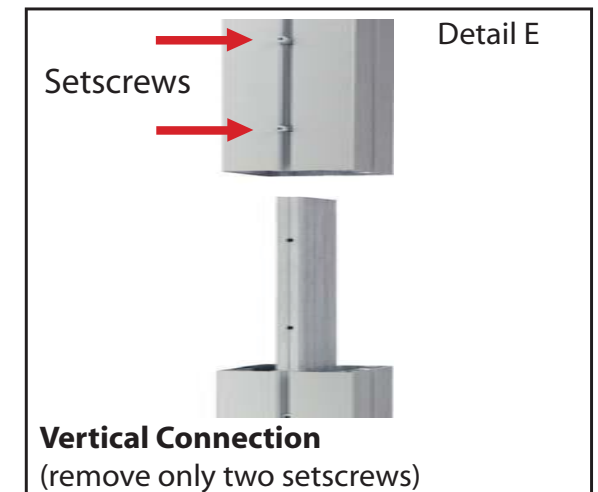
Remove only (1) setscrew when disassembling. Replace setscrew in extrusion after assembling it. Before packing, replace setscrew in extrusion to avoid losing it.



Detail D

Base Plate Connection

Attach base plate to round or square vertical extrusion using the bolt provided. Be careful not to strip the threads.



Detail E

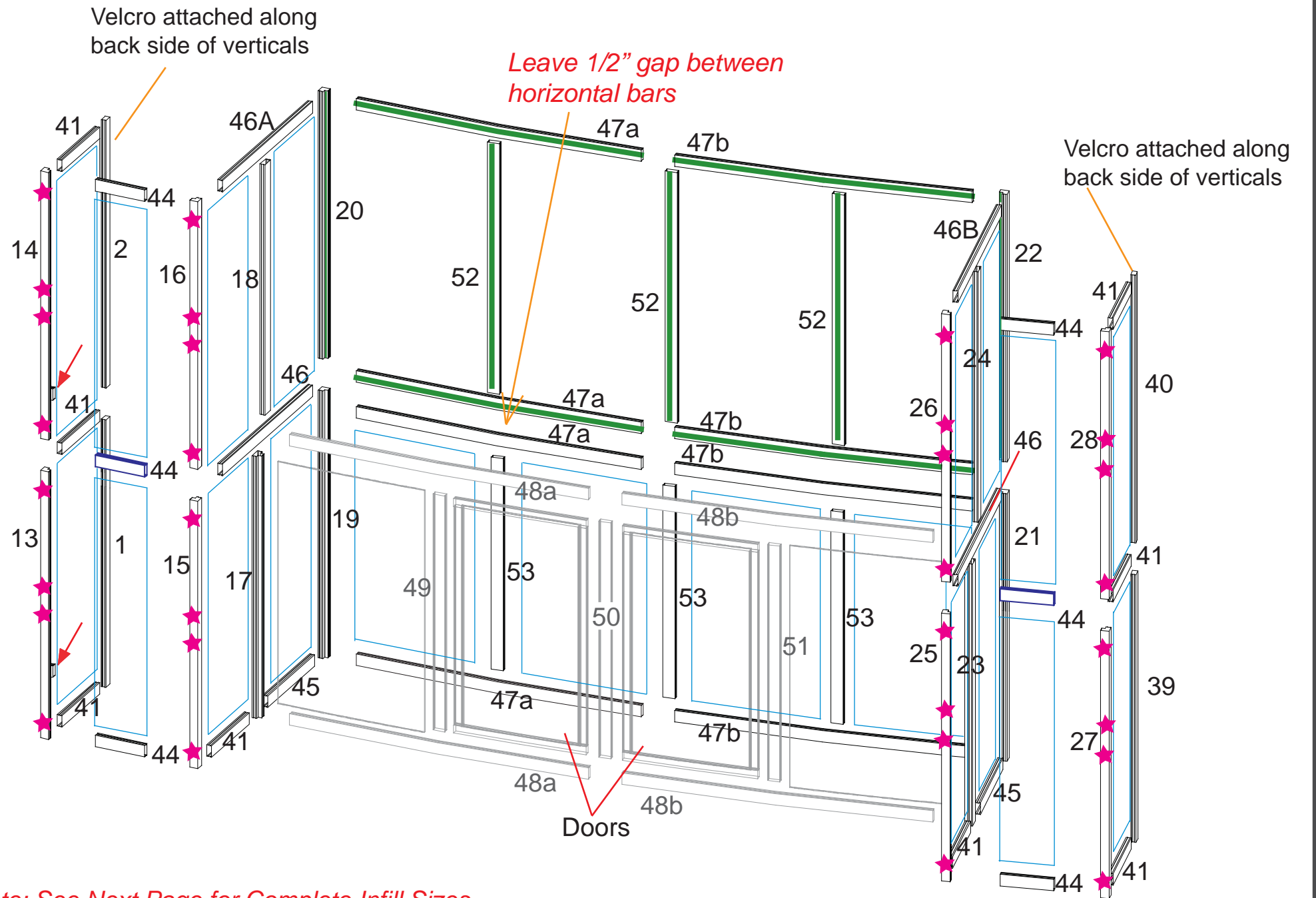
Vertical Connection
(remove only two setscrews)




When vertical extrusions are packed in portable cases rather than crates or tubs, they must be broken down into smaller sections which then require assembly.

Remove only (2) setscrews when disassembling. Replace setscrews in extrusion after assembling it. Before packing, replace setscrews in extrusion to avoid losing them.

WHEN DISASSEMBLING ALUMINUM EXTRUSION, TIGHTEN ALL SETSCREWS AND LOCKS TO PREVENT LOSS DURING SHIPPING

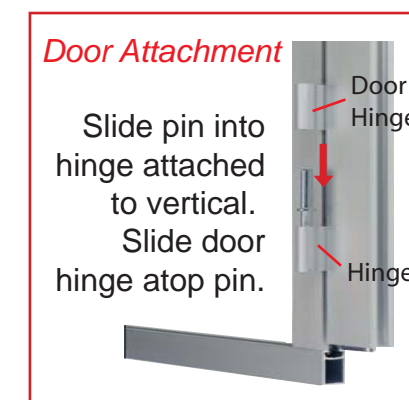
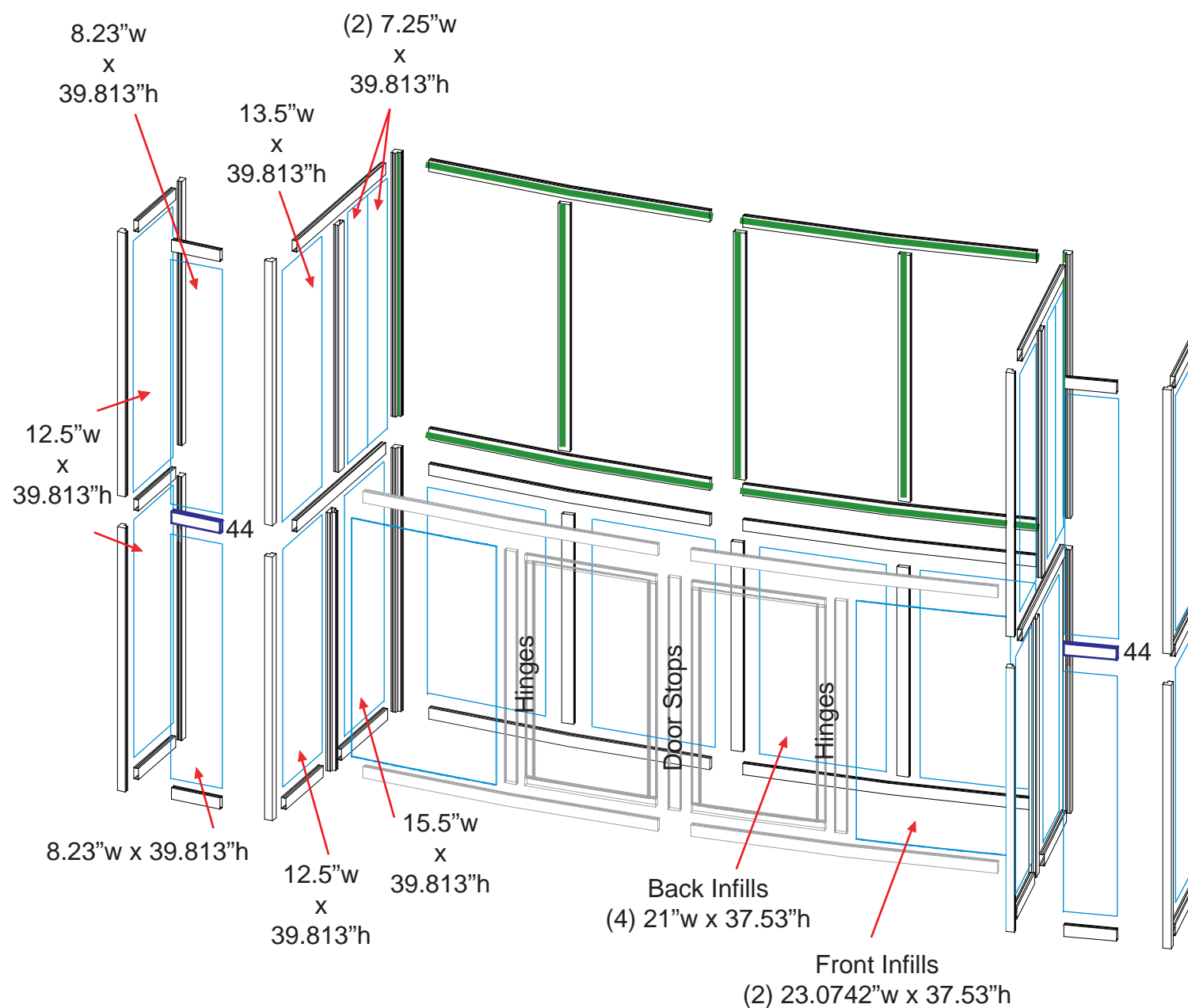
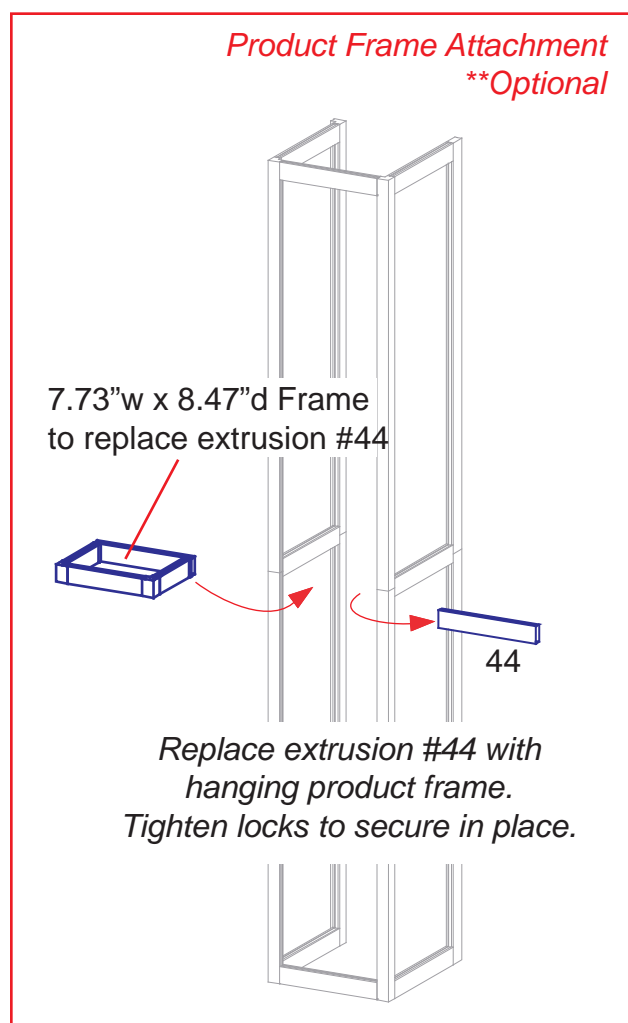
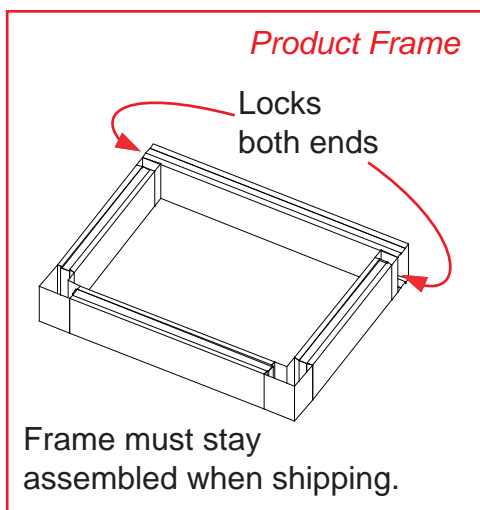
Item	Qty.	Description
1	1	42" h Vertical Extrusion
2	1	42" h Vertical Extrusion
13	1	42" h 90° Corner Extrusion
14	1	42" h 90° Corner Extrusion
15	1	42" h 90° Corner Extrusion
16	1	42" h 90° Corner Extrusion
17	1	41.104" h 3-Way Connector Extrusion
18	1	39.313" h Vertical Extrusion
19	1	42" h 90° Corner Extrusion
20	1	42" h 90° Corner Extrusion
21	1	42" h 90° Corner Extrusion
22	1	42" h 90° Corner Extrusion
23	1	41.104" h 3-Way Connector Extrusion
24	1	39.313" h Vertical Extrusion
25	1	42" h 90° Corner Extrusion
26	1	42" h 90° Corner Extrusion
27	1	42" h 90° Corner Extrusion
28	1	42" h 90° Corner Extrusion
29	1	42" h 90° Corner Extrusion
30	1	42" h 90° Corner Extrusion
39	1	42" h Vertical Extrusion
40	1	42" h Vertical Extrusion
41	10	12" w Horizontal Extrusion
44	6	7.73" w Horizontal Extrusion
45	2	15" w Horizontal Extrusion
46	4	28.791" w Horizontal Extrusion
47a/47b	4/4	43.65" w Curved Horizontal Extrusion
48a/48b	2/2	45.757" w Curved Horizontal Extrusion
49	1	37.034" h Vertical Extrusion w/ Door Hinges
50	1	37.034" h Vertical Extrusion w/ Door Stops
51	1	37.034" h Vertical Extrusion w/ Door Hinges
52	3	39.3" h Vertical Extrusion
53	3	37.036" h Vertical Extrusion



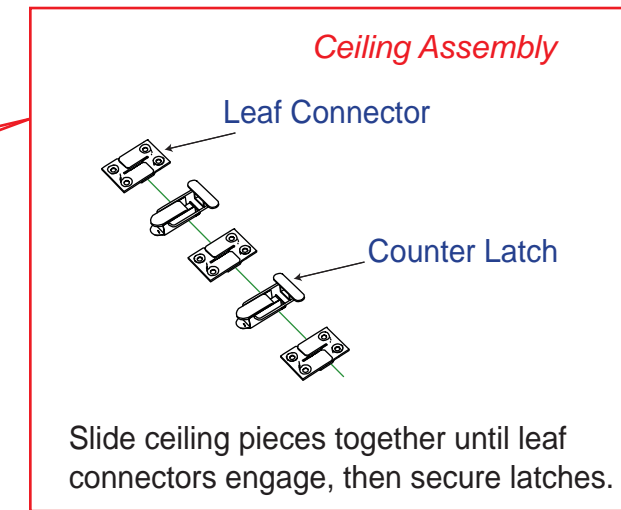
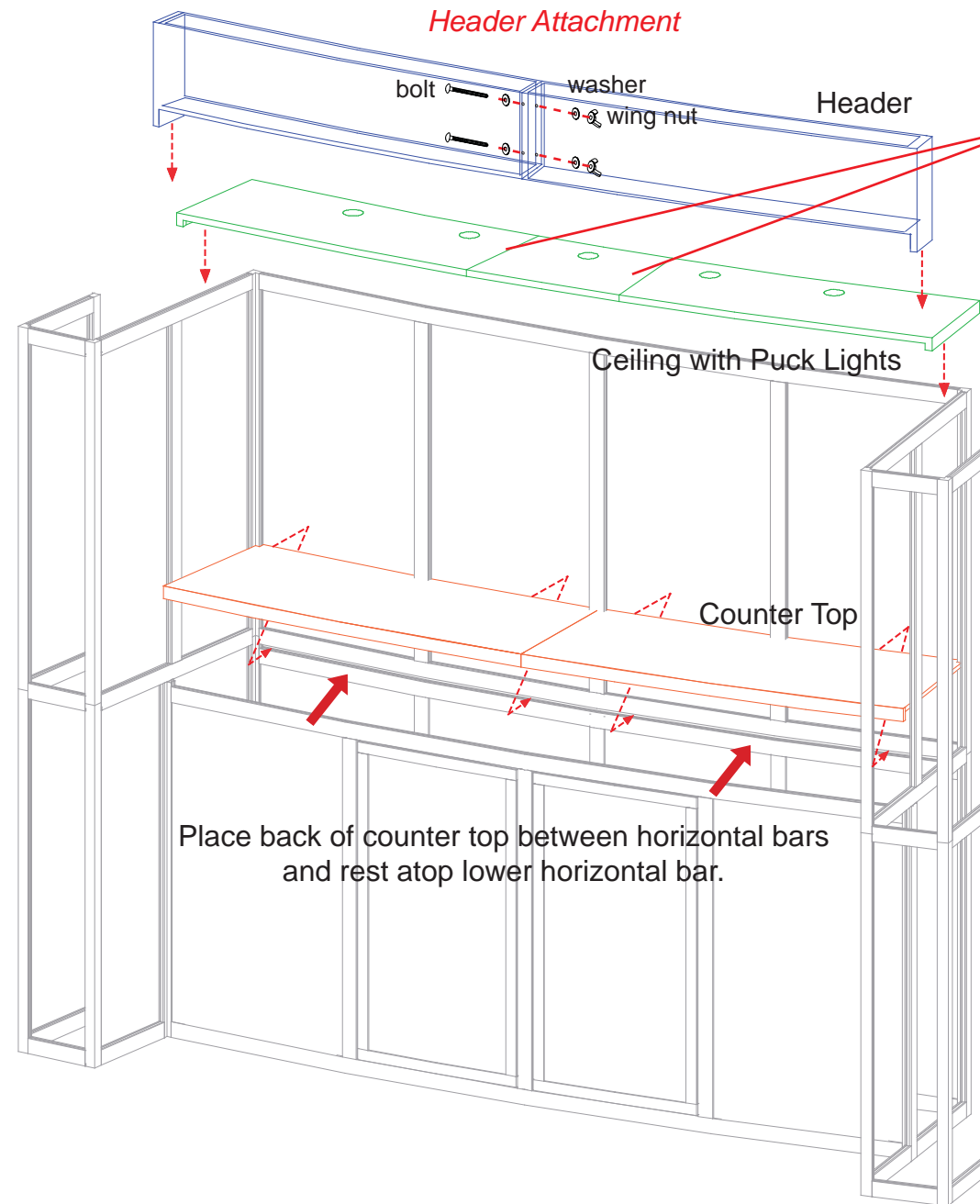
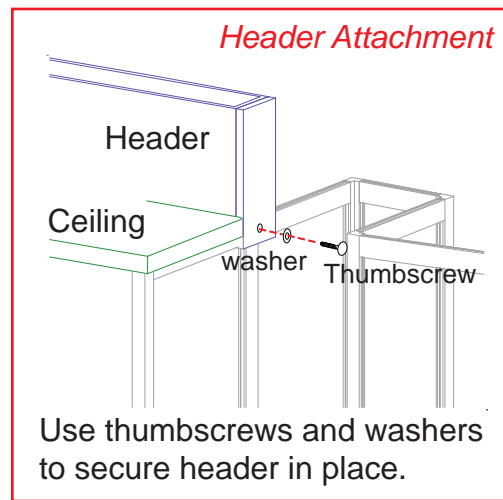
-  Extrusions #44 can be exchanged with hanging product frame, [see page 2](#)
-  Star indicates hole for standoff attachment
-  Green Line indicates Velcro strip

Note: See Next Page for Complete Infill Sizes and Door Attachment

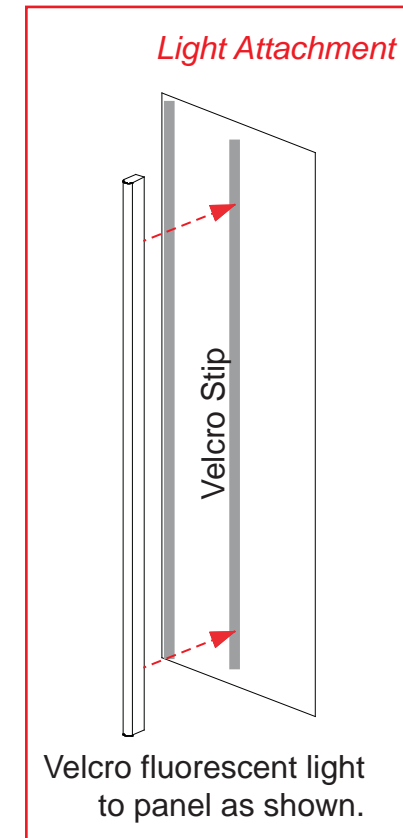
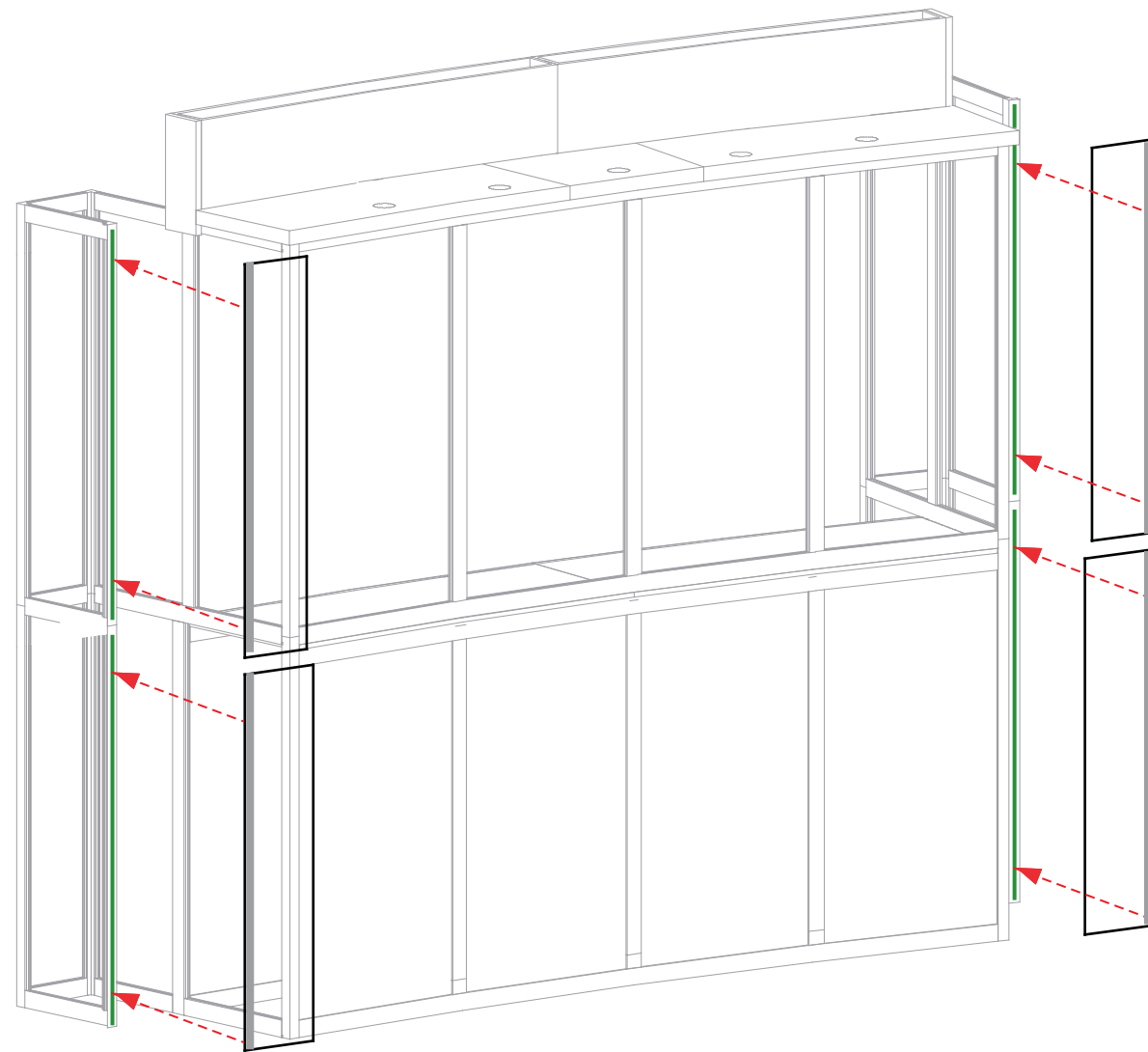
WHEN DISASSEMBLING ALUMINUM EXTRUSION, TIGHTEN ALL SETSCREWS AND LOCKS TO PREVENT LOSS DURING SHIPPING



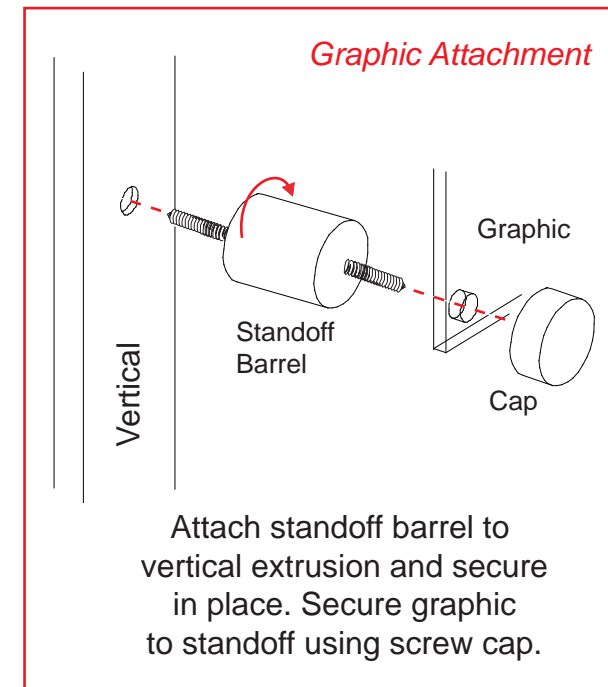
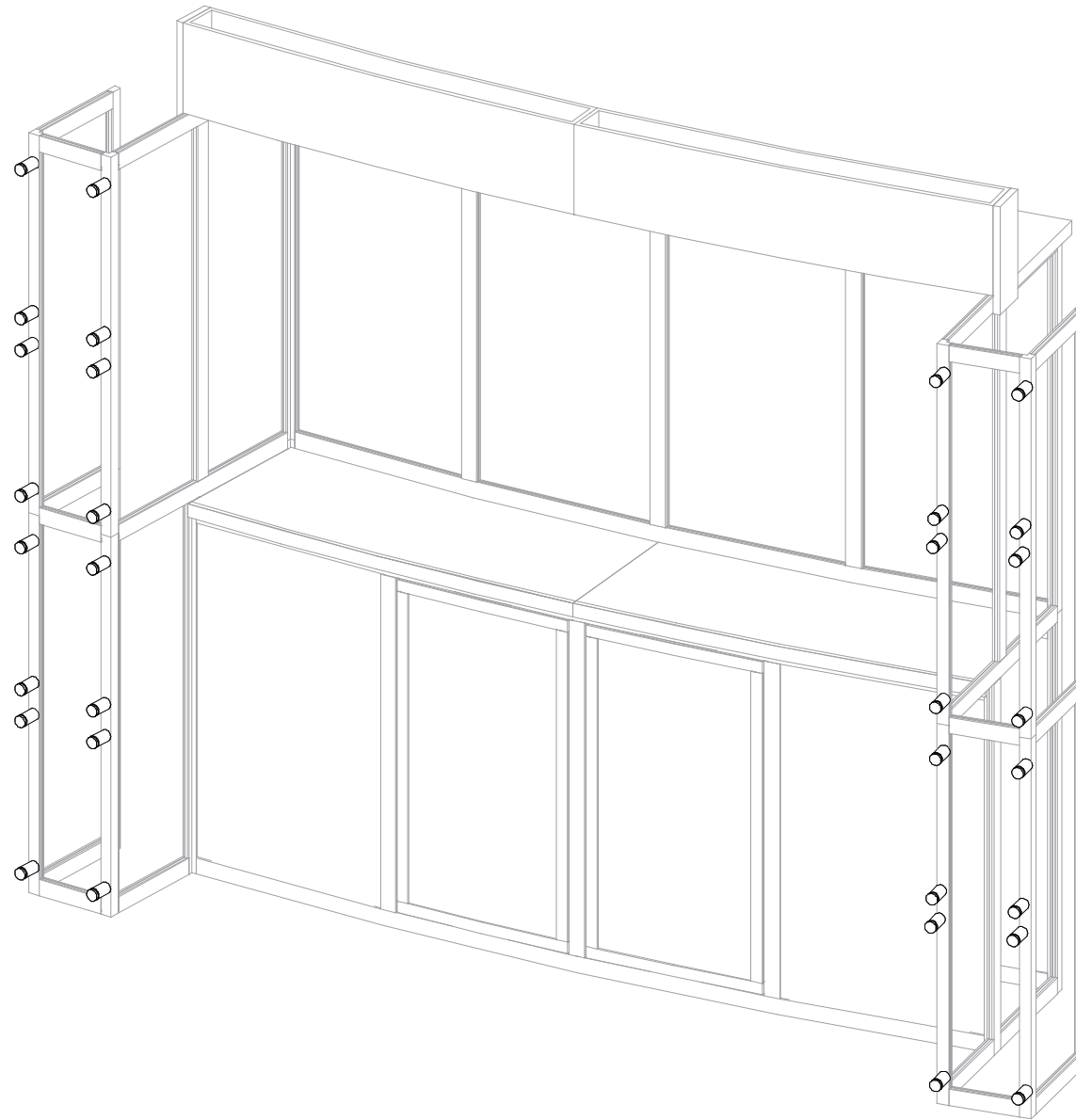
WHEN DISASSEMBLING ALUMINUM EXTRUSION, TIGHTEN ALL SETSCREWS AND LOCKS TO PREVENT LOSS DURING SHIPPING



WHEN DISASSEMBLING ALUMINUM EXTRUSION, TIGHTEN ALL SETSCREWS AND LOCKS TO PREVENT LOSS DURING SHIPPING



WHEN DISASSEMBLING ALUMINUM EXTRUSION, TIGHTEN ALL SETSCREWS AND LOCKS TO PREVENT LOSS DURING SHIPPING

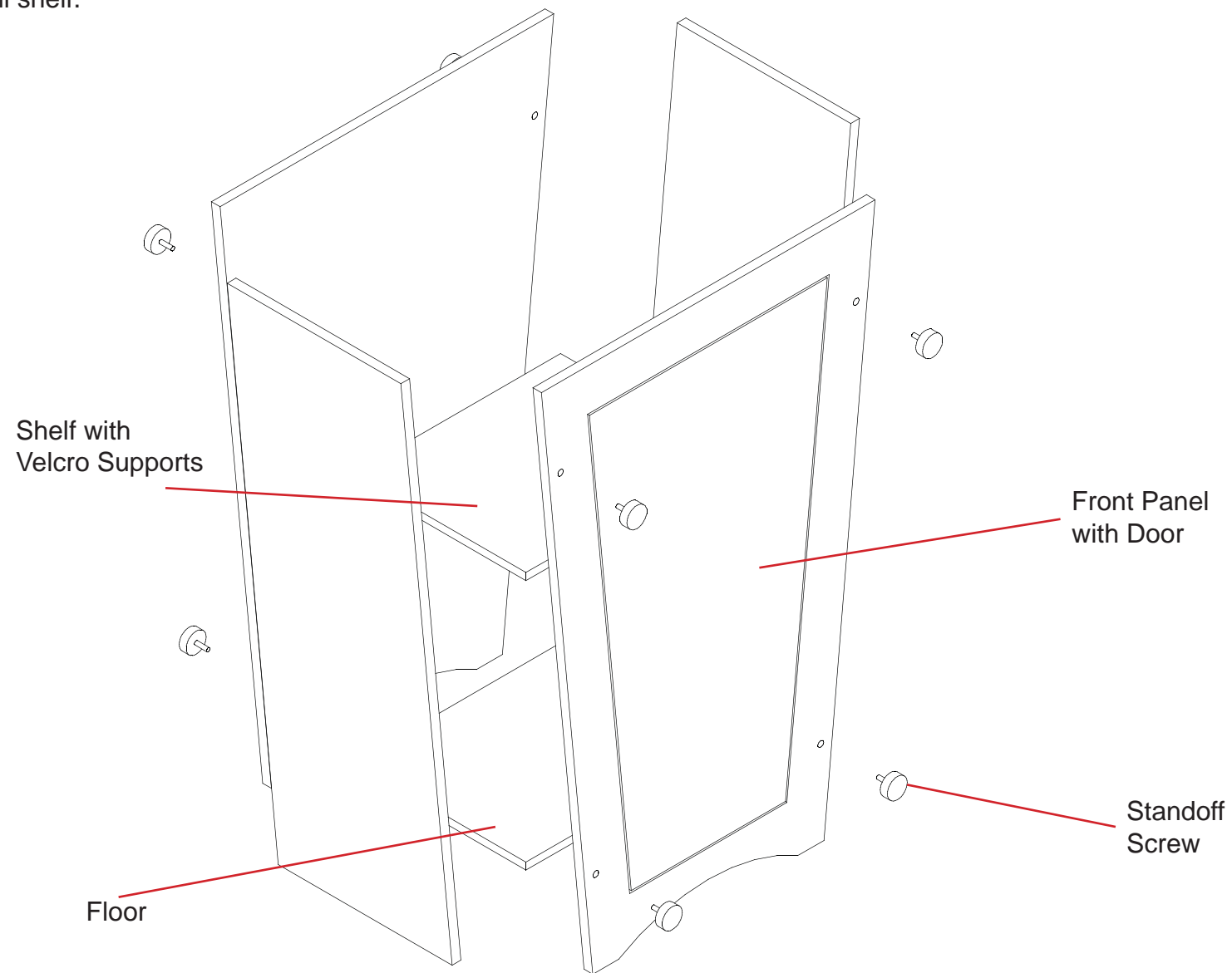


WHEN DISASSEMBLING ALUMINUM EXTRUSION, TIGHTEN ALL SETSCREWS AND LOCKS TO PREVENT LOSS DURING SHIPPING

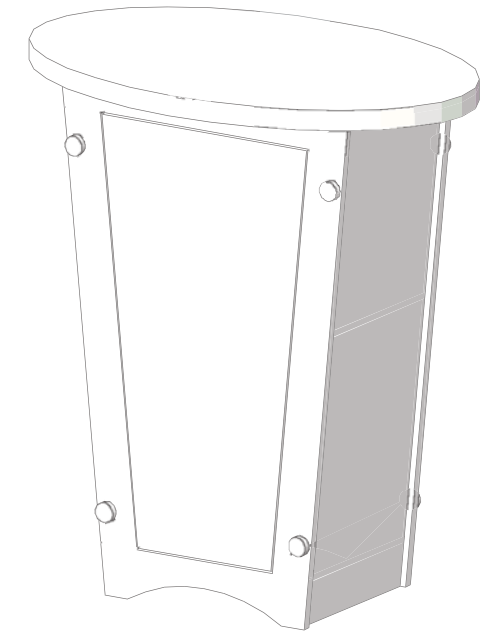
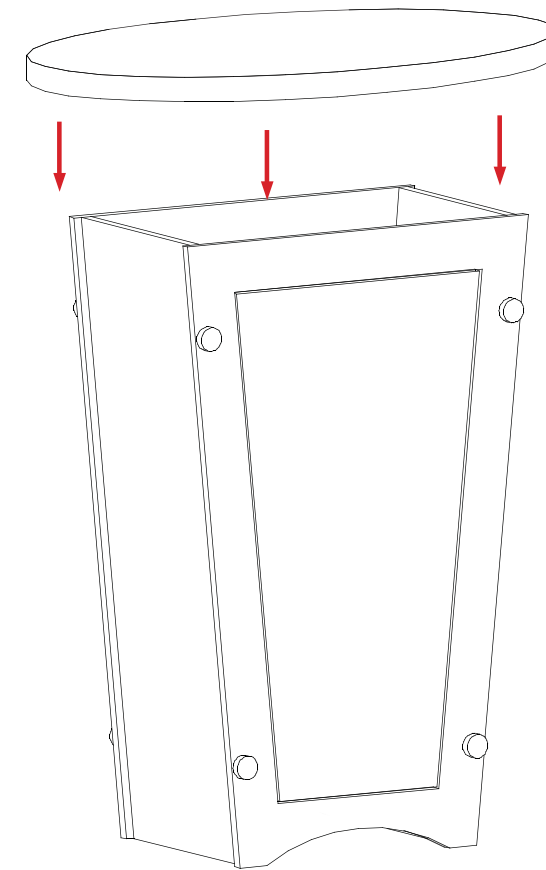
866.652.2100

Setup Instructions:

- A) Use standoff screws to secure the front panel with door and back panel of the pedestal to the side panels.
- B) After assembling front, back, and side panels, slide floor into the bottom of the pedestal. The floor will sit on pins on the inside of the side panels.
- C) After floor is in place, use velcro attachments to install shelf.



Attach the oval counter top to the pedestal base.



WHEN DISASSEMBLING ALUMINUM EXTRUSION, TIGHTEN ALL SETSCREWS AND LOCKS TO PREVENT LOSS DURING SHIPPING