

WHEN DISASSEMBLING ALUMINUM EXTRUSION, TIGHTEN ALL SETSCREWS AND LOCKS TO PREVENT LOSS DURING SHIPPING



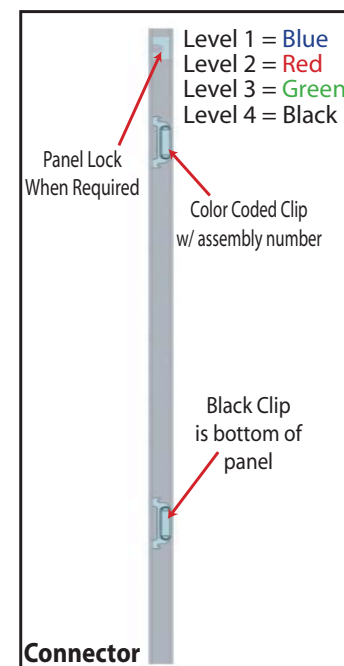
### Using Your Setup Instructions

The Euro LT Hybrids Setup Instructions are created specifically for your configuration. They are laid out sequentially in levels, including exploded views, and a logical series of detailed steps to assemble the main structure and components. We encourage you to study the instructions **before** attempting to assemble your exhibit.

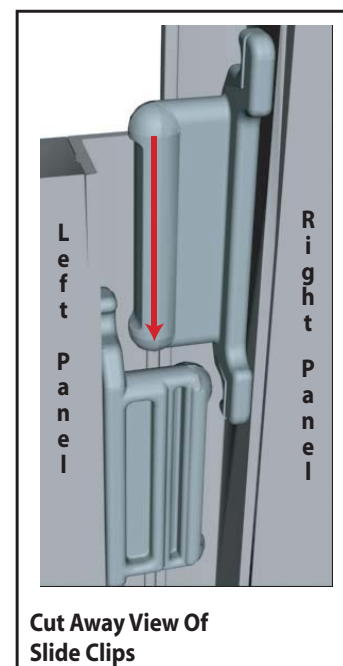
Each page reminds you to tighten the setscrews after disassembling your exhibit to prevent loss of the locks and setscrews (see below in RED). This is VERY IMPORTANT.

### Cleaning and Packing Your Display

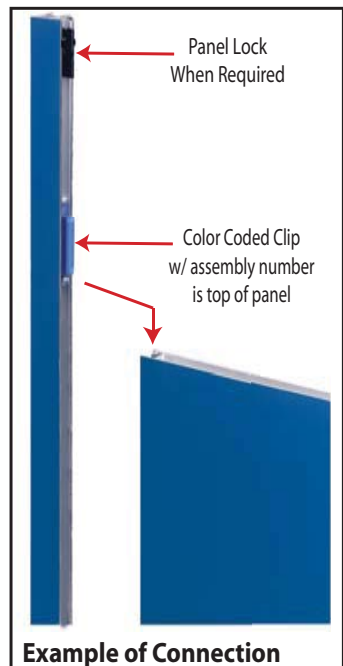
- 1) Use care when cleaning aluminum extrusion or acrylic inserts. Use only non-abrasive cleaners.
- 2) When cleaning laminate inserts, countertops, or panels use mild cleansers and a soft material such as cotton.
- 3) Keep all display components away from extreme heat and long exposure to sunlight to avoid warping and fading.
- 4) Retain all packing material. It will make re-packing much easier and will reduce the likelihood of shipping damage.



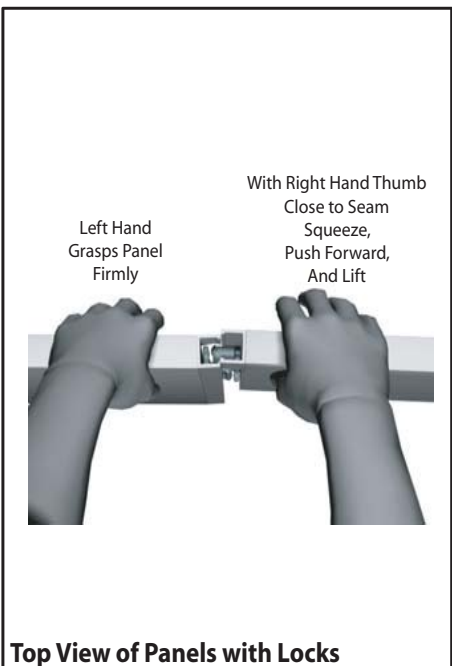
Each component has 2 clips, the lower clip is ALWAYS black. The top clip is color coded to distinguish which level. The color coded clip also contains the numbered label.



Components connect together by aligning them and sliding downward connecting clips together.



Configurations are assembled from left to right, usually starting with #1 and following the numbered sequence.



The first level of components contain panel locks that are located at the top of the panel for extra stability and seamless connection. When disassembling panels twist top connection slightly and lift right panel upward.

### General Setup Instructions for Extrusion System



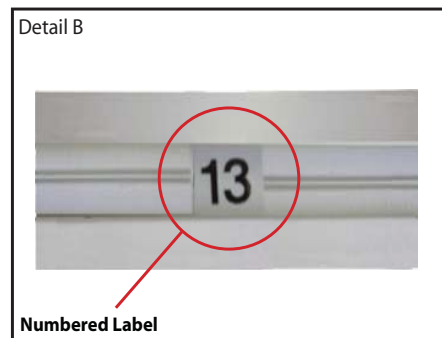
Most exhibits can be assembled with the supplied Hex Key Tool. Occasionally, a flat head screwdriver may be required.



Most horizontal extrusion connections have a patented expandable lock. This lock inserts into the groove of an opposing extrusion. Tightening the lock with the Hex Key Tool expands the lock and creates a strong positive connection.



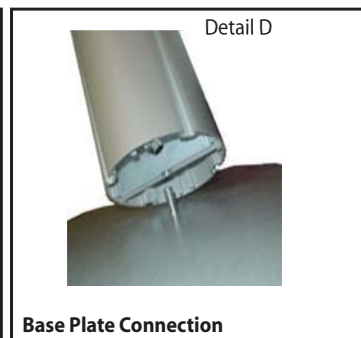
Each extrusion contains a numbered label which corresponds with setup instructions. The label is located within a groove of the extrusion (when possible). With extrusion components the labels contain Black numbers unless otherwise specified.



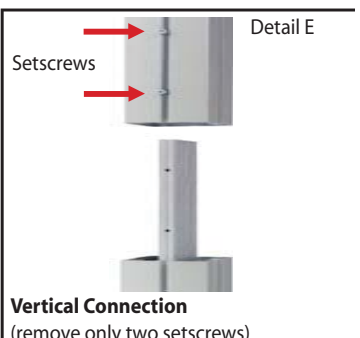
Remove only (1) setscrew when disassembling. Replace setscrew in extrusion after assembling it. Before packing, replace setscrew in extrusion to avoid losing it.



Attach base plate to round or square vertical extrusion using the bolt provided. Be careful not to strip the threads.



When vertical extrusions are packed in portable cases rather than crates or tubs, they must be broken down into smaller section which then require assembly. Remove only (2) setscrews when disassembling. Replace setscrews in extrusion after assembling it. Before packing, replace setscrews in extrusion to avoid losing them.



Remove only (2) setscrews when disassembling. Replace setscrews in extrusion after assembling it. Before packing, replace setscrews in extrusion to avoid losing them.

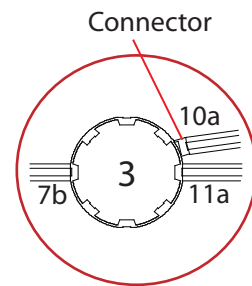
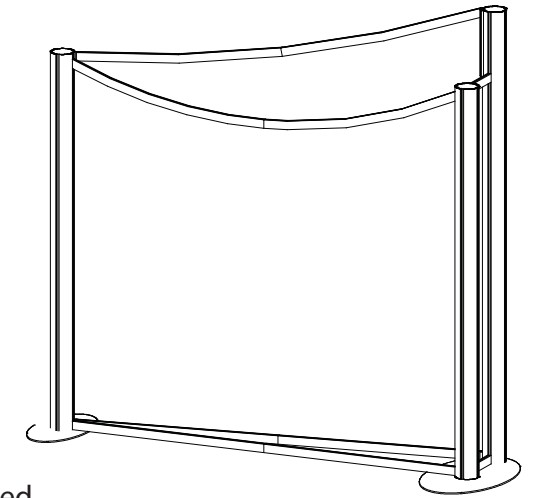
**WHEN DISASSEMBLING ALUMINUM EXTRUSION, TIGHTEN ALL SETSCREWS AND LOCKS TO PREVENT LOSS DURING SHIPPING**

866.652.2100

Item	Qty.	Description
1a/1b	1/1	Base Plate
3	1	79.7982" h Vertical Extrusion
4	1	96" h Vertical Extrusion
5	1	82.72" h Vertical Extrusion
8a/8b	1/1	43.087" w Horizontal Extrusion
9a/9b	1/1	43.01" w Horizontal Extrusion
10a/10b	1/1	44.4215" w Horizontal Extrusion
11a/11b	1/1	45.1683" w Horizontal Extrusion
12	2	8.039" w Horizontal Extrusion

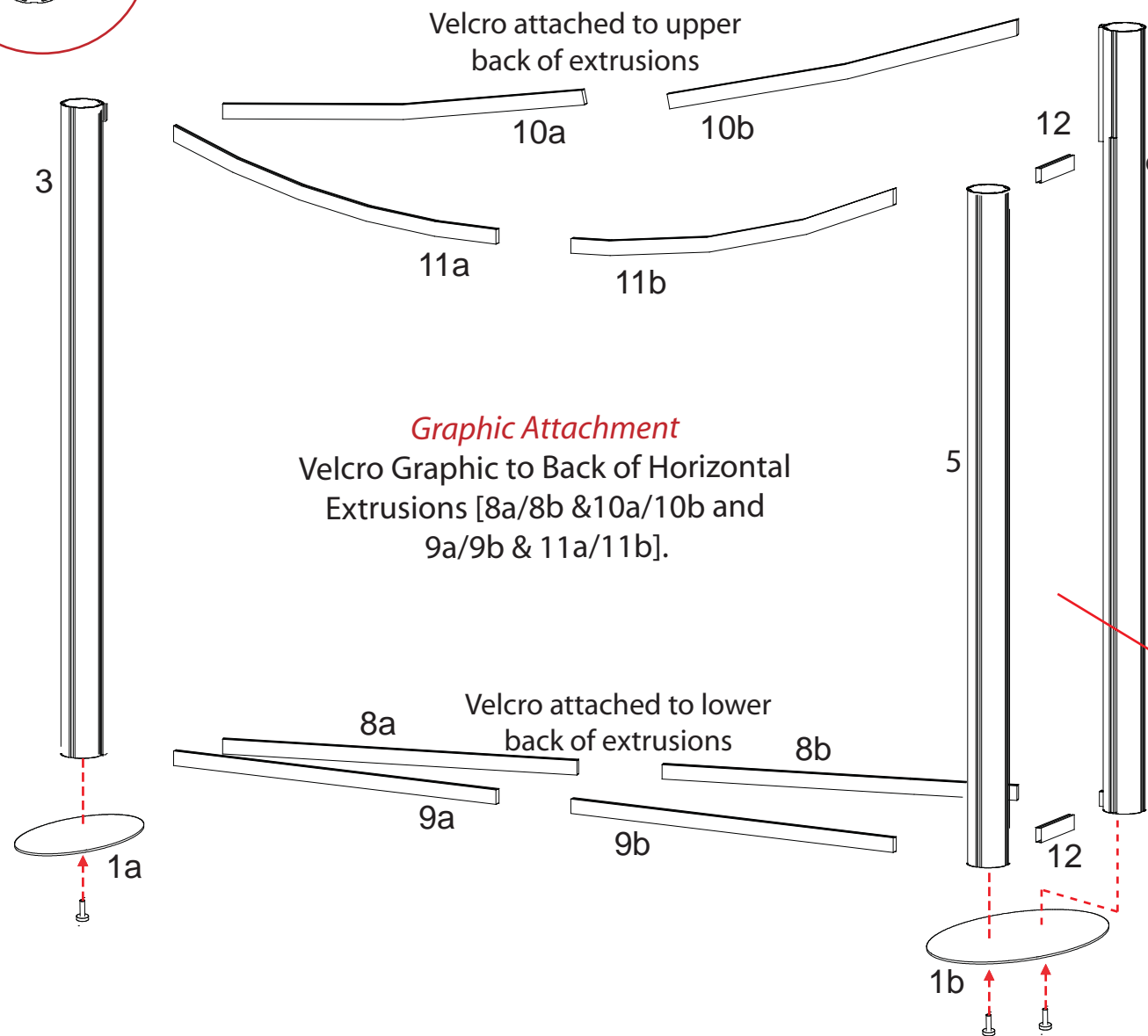
Steps:

- 1) Attach vertical extrusions [3, 4 and 5] to base plates [1a and 1b], see detail D on general info. page.
- 2) Connect horizontal extrusions [8a to 8b, 9a to 9b, 10a to 10b and 11a to 11b].
- 3) Attach horizontal assemblies between vertical extrusions.
- 4) Apply graphics to assembled backwall as shown.



Plan View of Vertical [3] w/ Connector Attached

Plan View of Vertical [4] w/ Connector Attached



**Graphic Attachment**  
Velcro Graphic to Back of Horizontal Extrusions [8a/8b & 10a/10b and 9a/9b & 11a/11b].

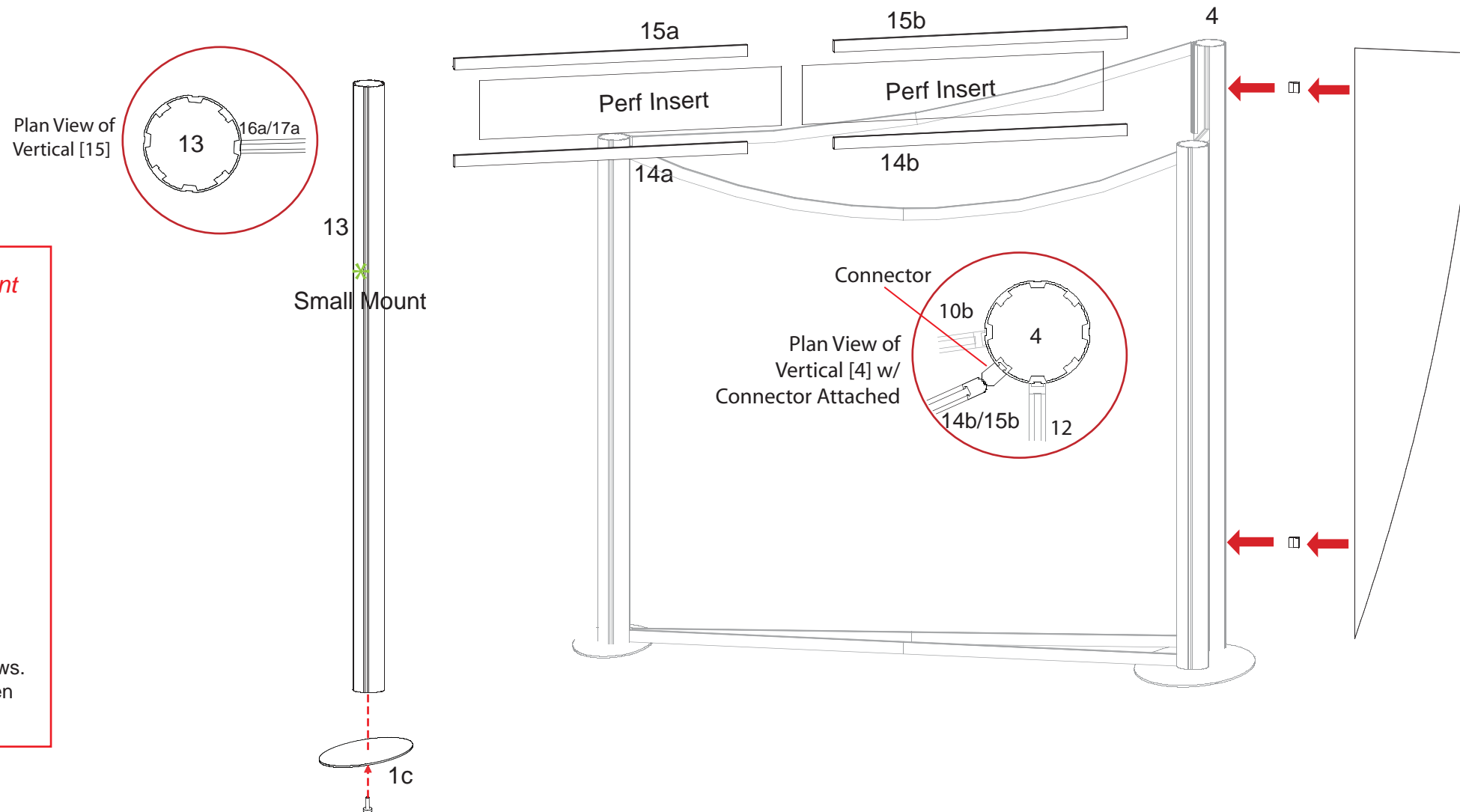
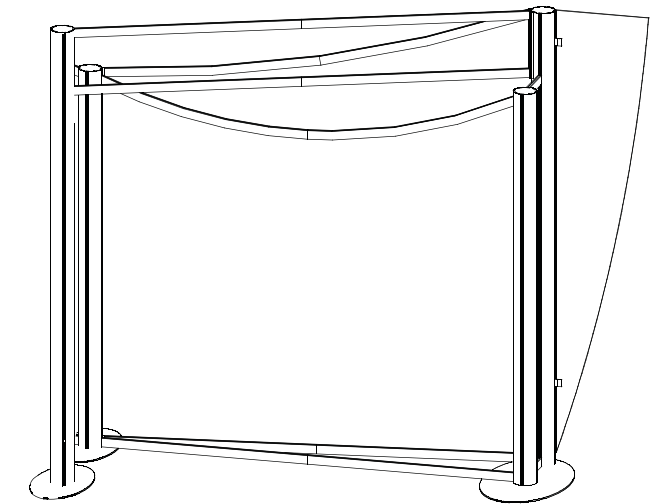
Attach Graphic to Back of Horizontal Extrusions

**WHEN DISASSEMBLING ALUMINUM EXTRUSION, TIGHTEN ALL SETSCREWS AND LOCKS TO PREVENT LOSS DURING SHIPPING**

866.652.2100

Item	Qty.	Description
1c	1	Base Plate
13	1	96" h Vertical Extrusion
14a/14b	1/1	46.25" w Horizontal Extrusion
15a/15b	1/1	46.25" w Horizontal Extrusion

- Steps:
- 1) Attach vertical extrusion [13] to base plate [1c].
  - 2) Connect horizontal extrusions together [14a to 14b and 15a to 15b].
  - 3) Attach horizontal assemblies between vertical extrusions [4 and 13], placing insert as shown.
  - 4) Attach wings to vertical extrusions [4], see wing attachment detail.



**\* Monitor Mount Attachment**

Attach back plate to connectors on vertical extrusion using screws. Then attach top plate and tighten setscrews to secure.

**Wing Attachment**

Slide A10 Clamp into groove of square extrusion.

When desired location is found, tighten set screw to secure.

Tighten black plastic knob to secure Wing in place.

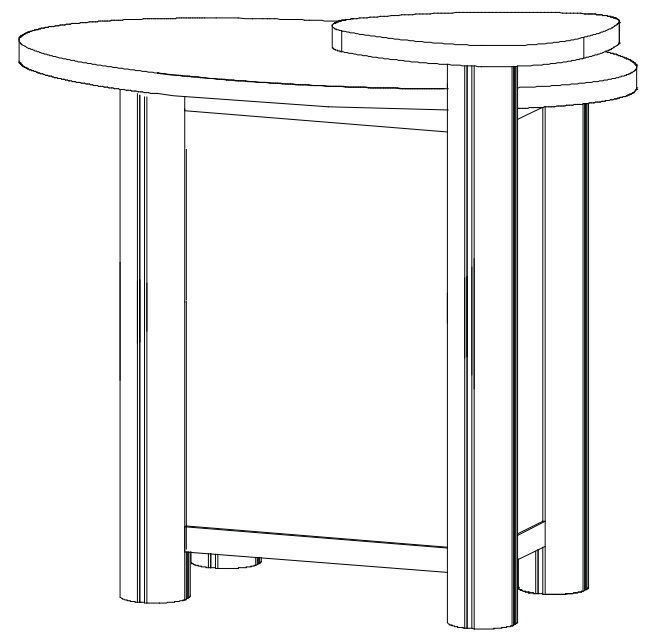
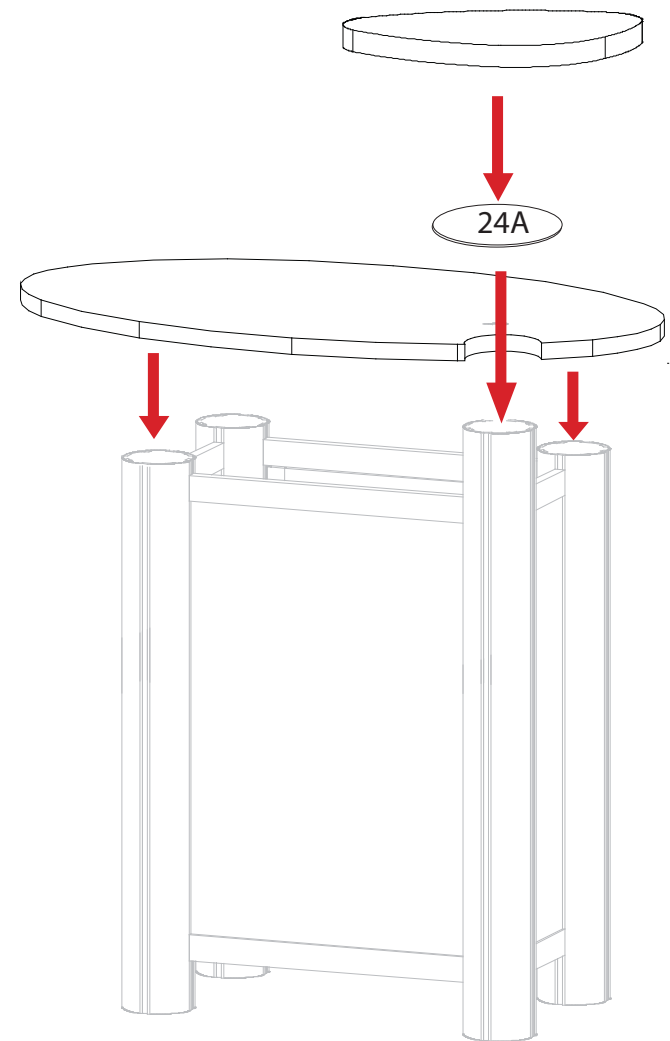
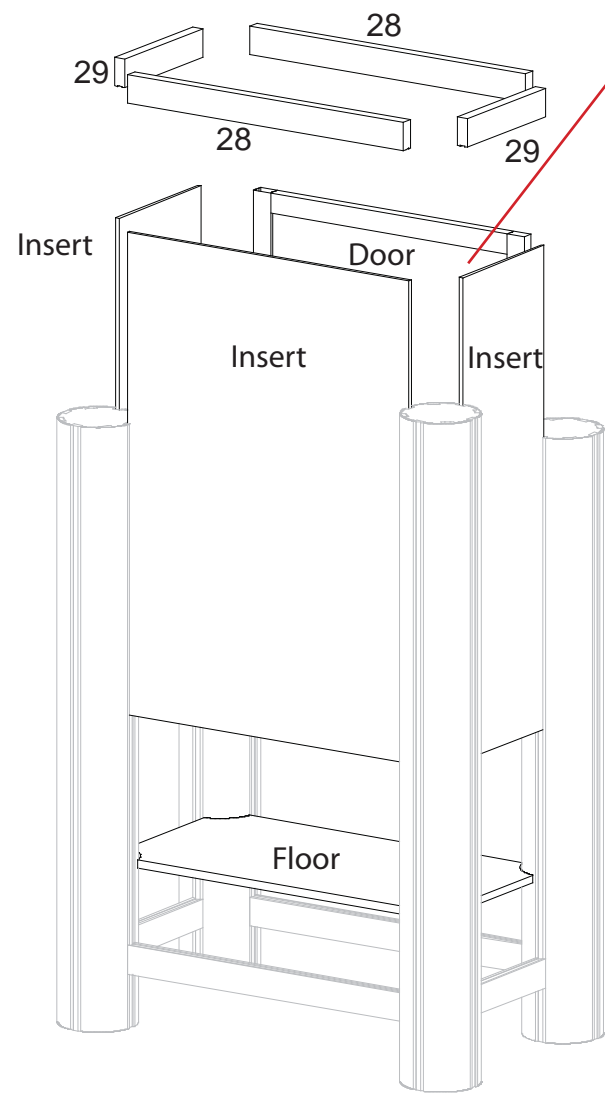
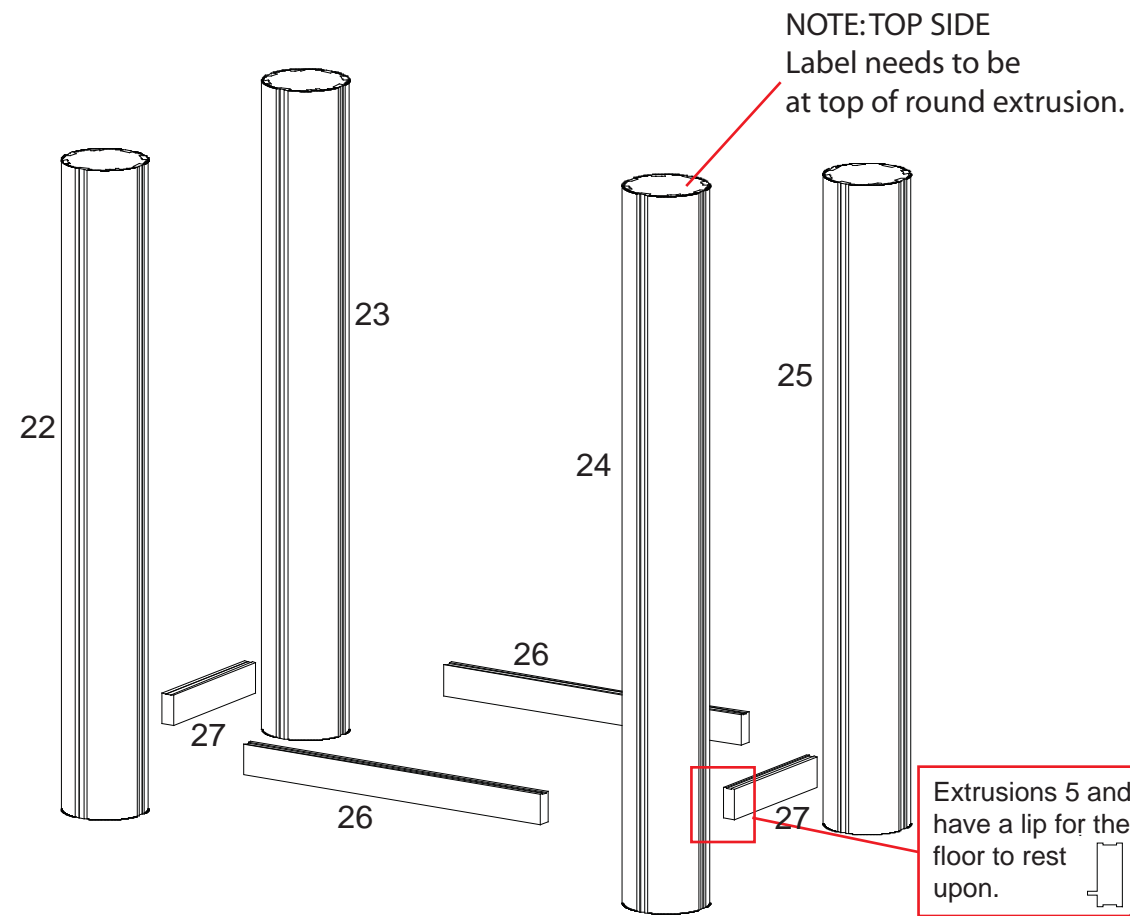
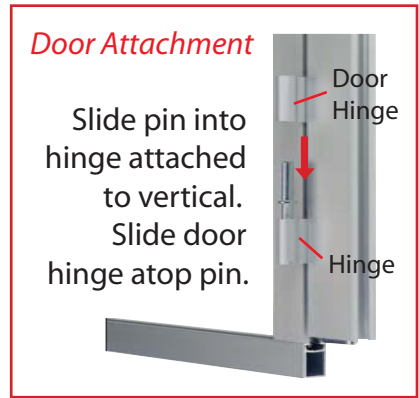
**WHEN DISASSEMBLING ALUMINUM EXTRUSION, TIGHTEN ALL SETSCREWS AND LOCKS TO PREVENT LOSS DURING SHIPPING**

866.652.2100

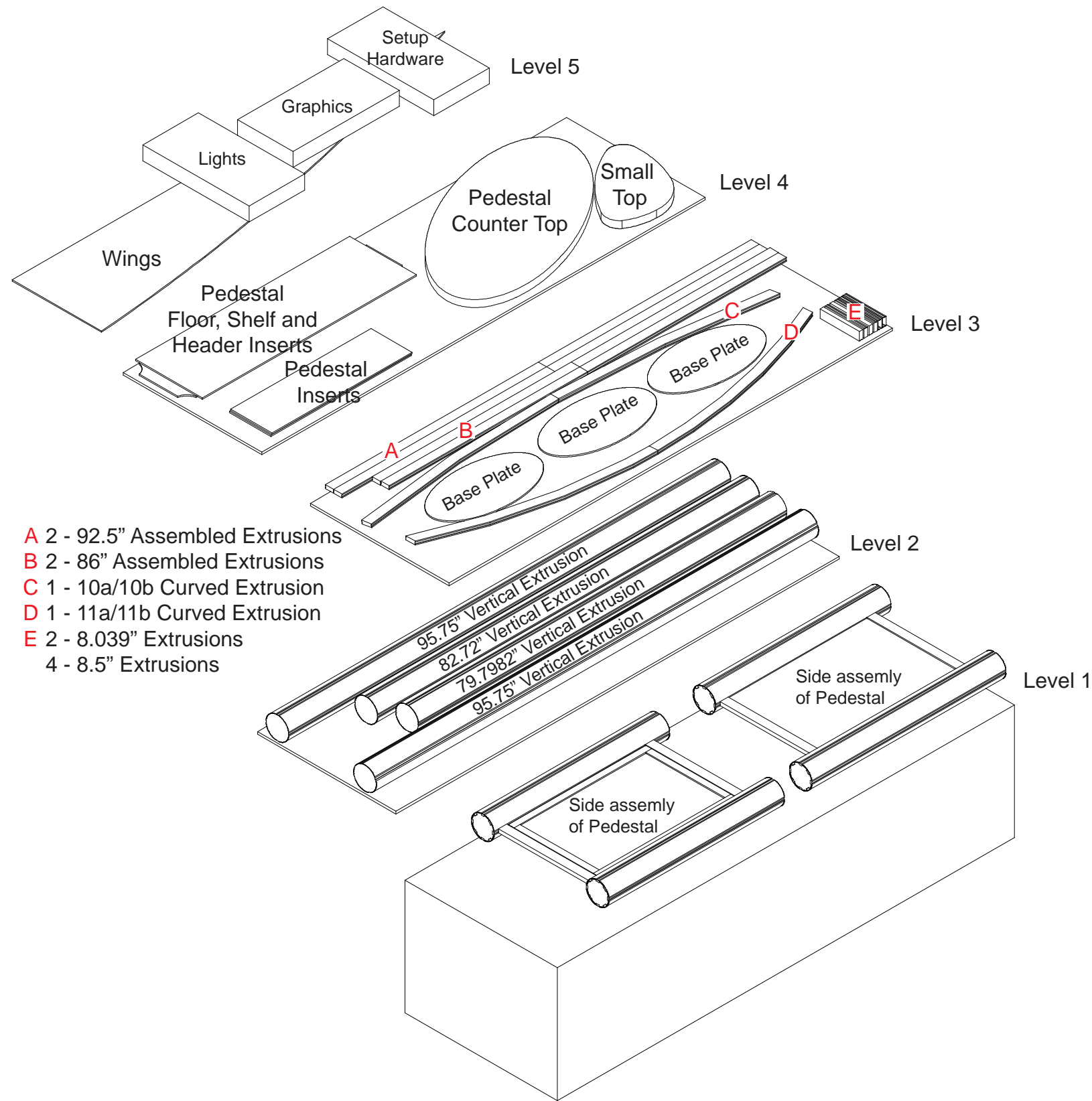
Item	Quantity	Description
22	1	38" h Vertical Extrusion
23	1	38" h Vertical Extrusion
24	1	42" h Vertical Extrusion
25	1	38" h Vertical Extrusion
26	2	20" w Horizontal Extrusion
27	2	8.5" w Horizontal Extrusion
28	2	20" w Horizontal Extrusion
29	2	8.5" w Horizontal Extrusion
24A	1	Plate for Counter Connection

Steps:

- 1) Connect horizontal extrusions [5 and 6] between vertical extrusions [1, 2, 3 and 4].
- 2) Set floor in place atop lip of horizontal extrusions.
- 3) Place doors and inserts in place as shown.
- 4) Connect horizontal extrusions [7, and 8] between vertical extrusions [1, 2, 3 and 4] and atop inserts and door.
- 5) Place counter atop assembled pedestal, attach [3A] to extrusion [3] then connect smaller counter to [3A].



**WHEN DISASSEMBLING ALUMINUM EXTRUSION, TIGHTEN ALL SETSCREWS AND LOCKS TO PREVENT LOSS DURING SHIPPING**



Level 5



Level 3



Level 4



Level 1



Level 2

**WHEN DISASSEMBLING ALUMINUM EXTRUSION, TIGHTEN ALL SETSCREWS AND LOCKS TO PREVENT LOSS DURING SHIPPING**