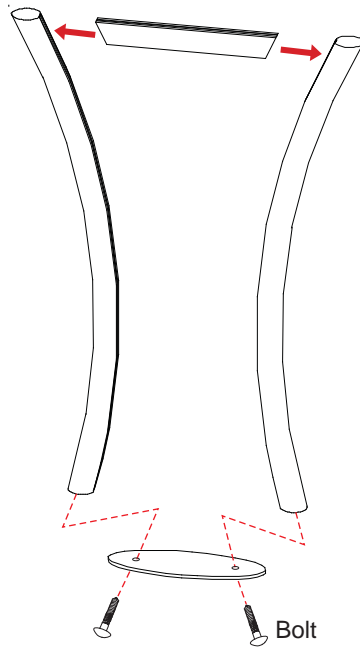


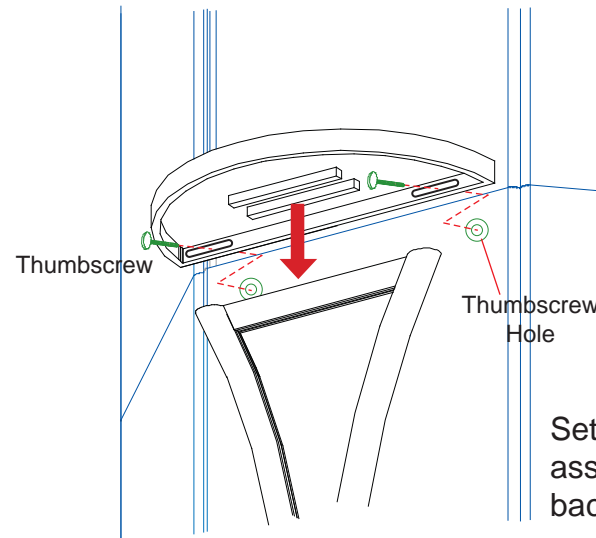
(A) - Attach decorative piece to assembled backwall

Modul Decorative Piece: QTY. 4

Lock both ends of horizontal bar to groove of curve verticals

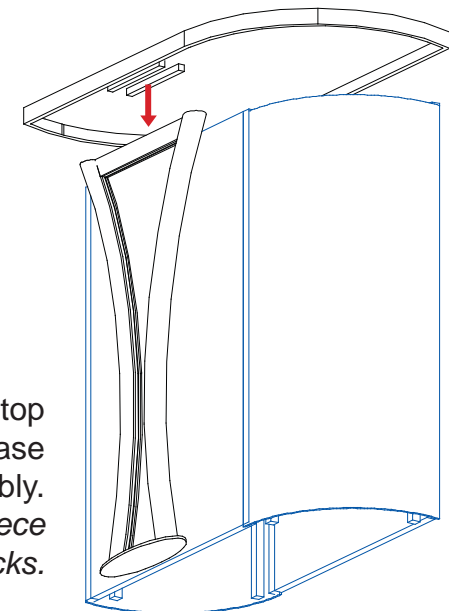


Attach curve verticals to base plate using bolts.



Set counter atop decorative assembly then secure to backwall with thumbscrews.

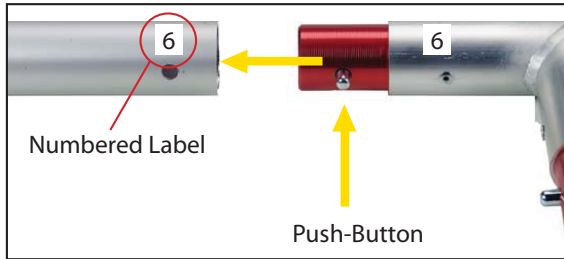
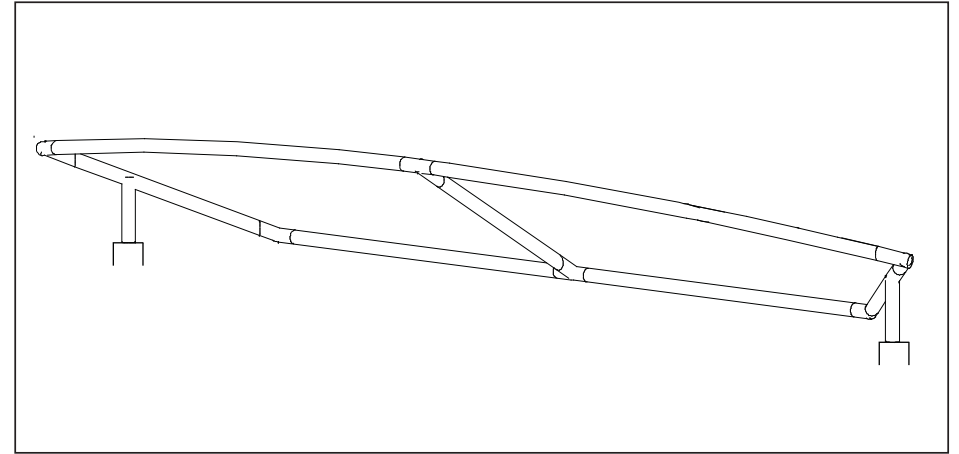
(B) - Attach decorative piece to pedestal



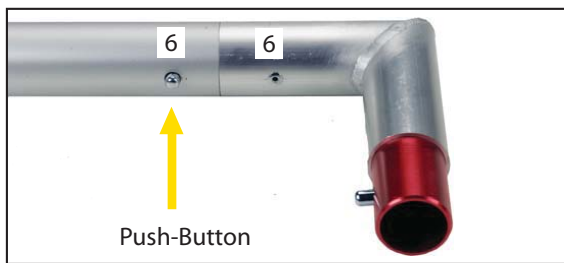
Set pedestal counter top on assembled pedestal base and decorative assembly. *Make sure horizontal piece sits between wood blocks.*



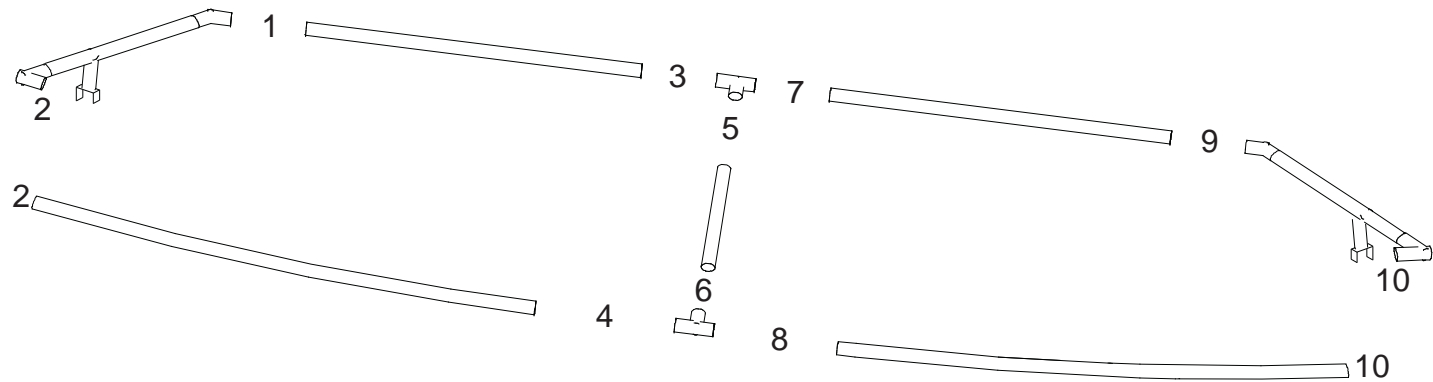
# AERO



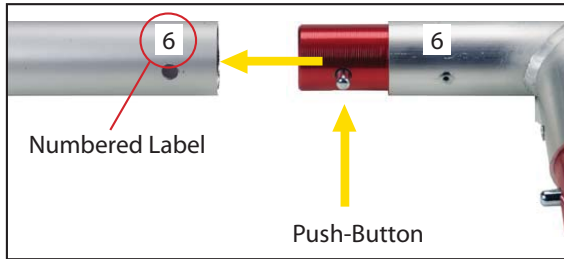
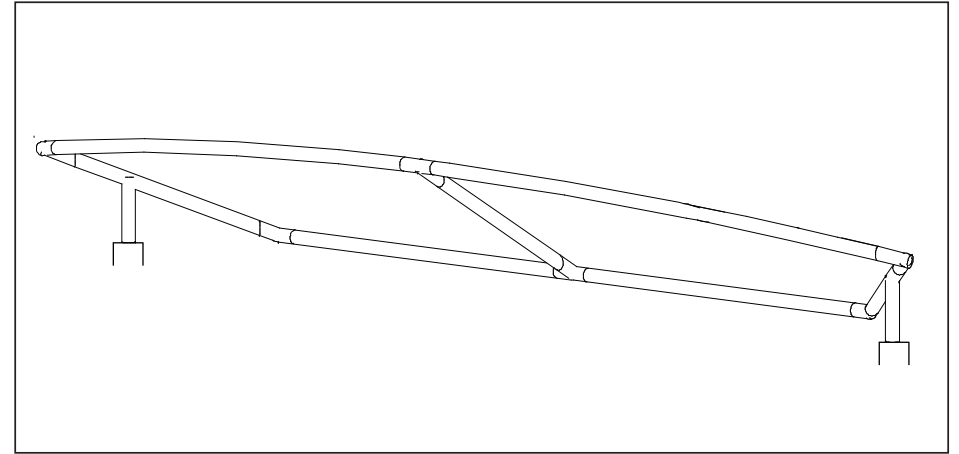
Connections are made by holding the button down and sliding the red tube into opposing tube until the connection is made. To disassemble push button and pull or twist extrusions apart.



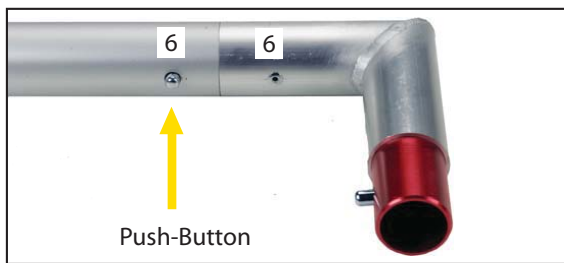
Assemble canopy header pieces together in numerical order



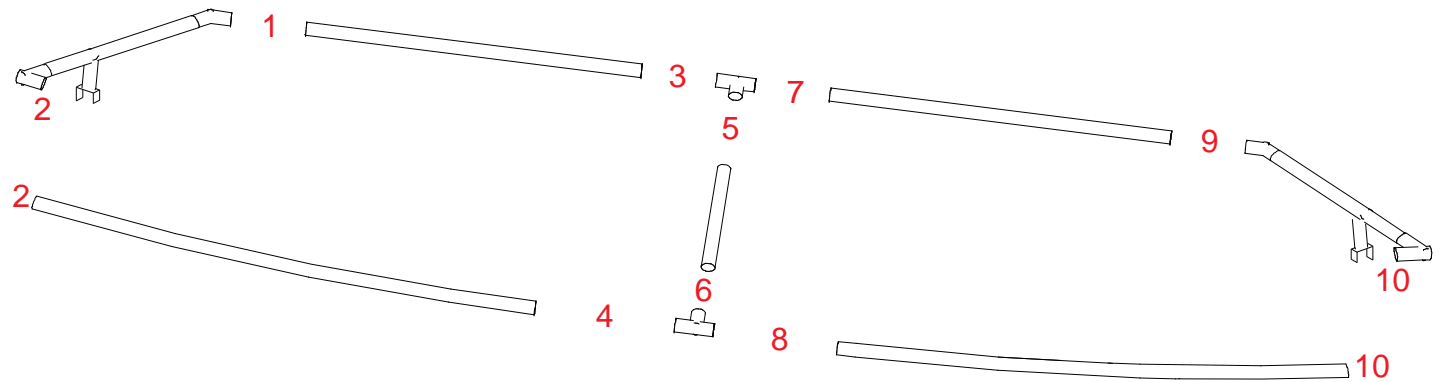
# AERO

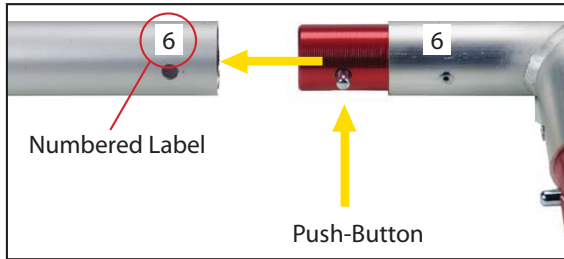
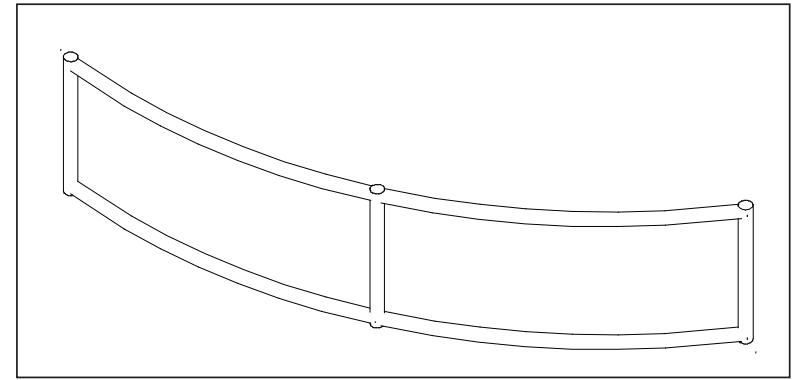


Connections are made by holding the button down and sliding the red tube into opposing tube until the connection is made. To disassemble push button and pull or twist extrusions apart.

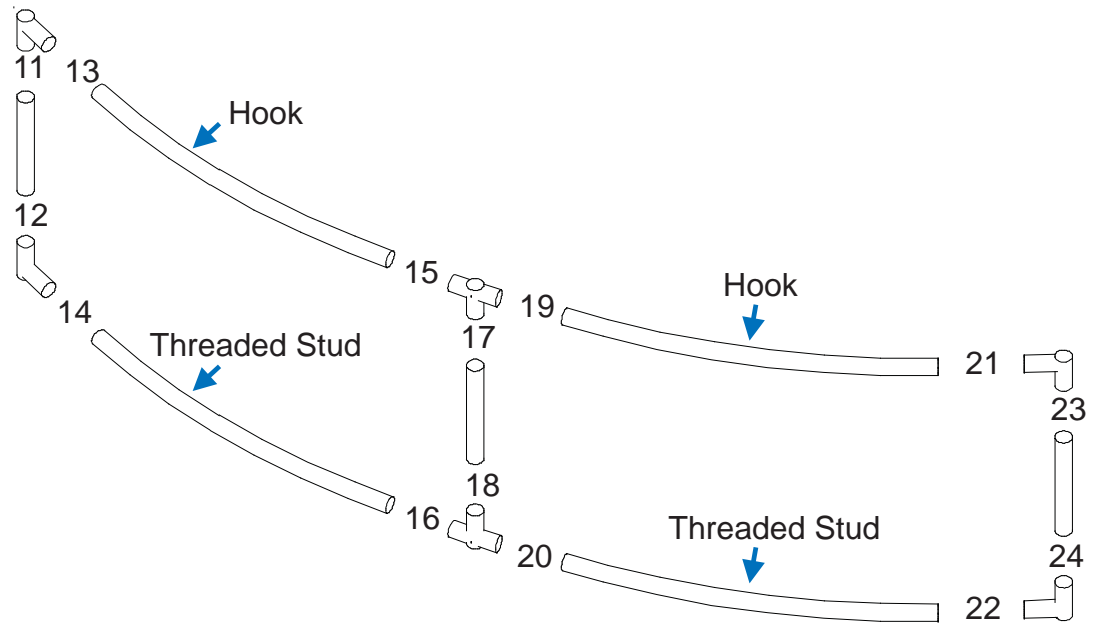
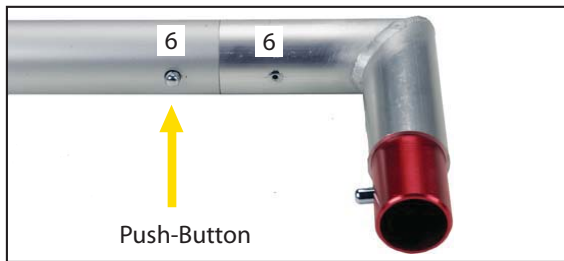


Assemble canopy header pieces together in numerical order





Connections are made by holding the button down and sliding the red tube into opposing tube until the connection is made. To disassemble push button and pull or twist extrusions apart.



Assemble header pieces together in numerical order



# Job #30977 - Canopy frames and header frame attachment

