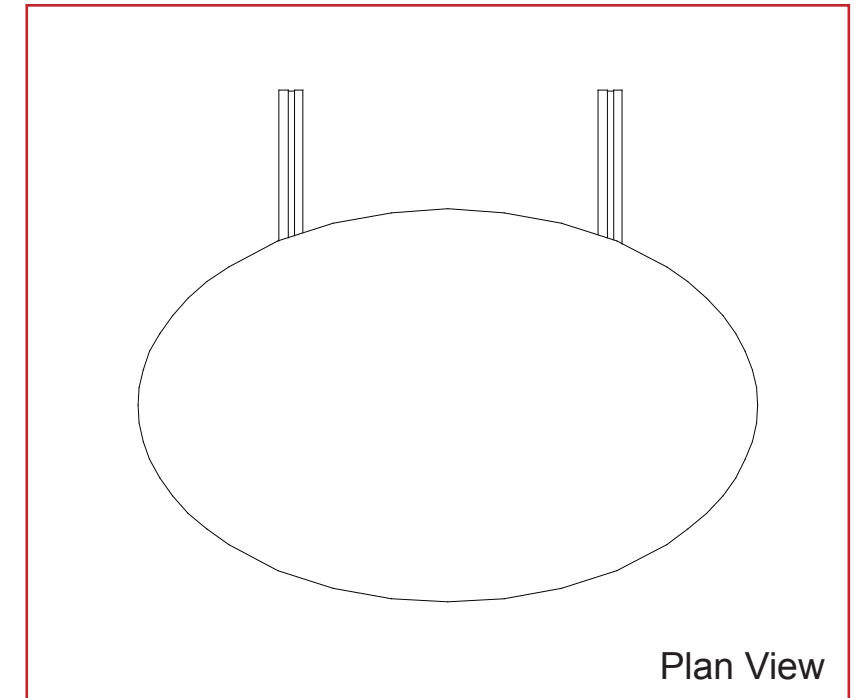


# Perfect 10 Hybrid Displays



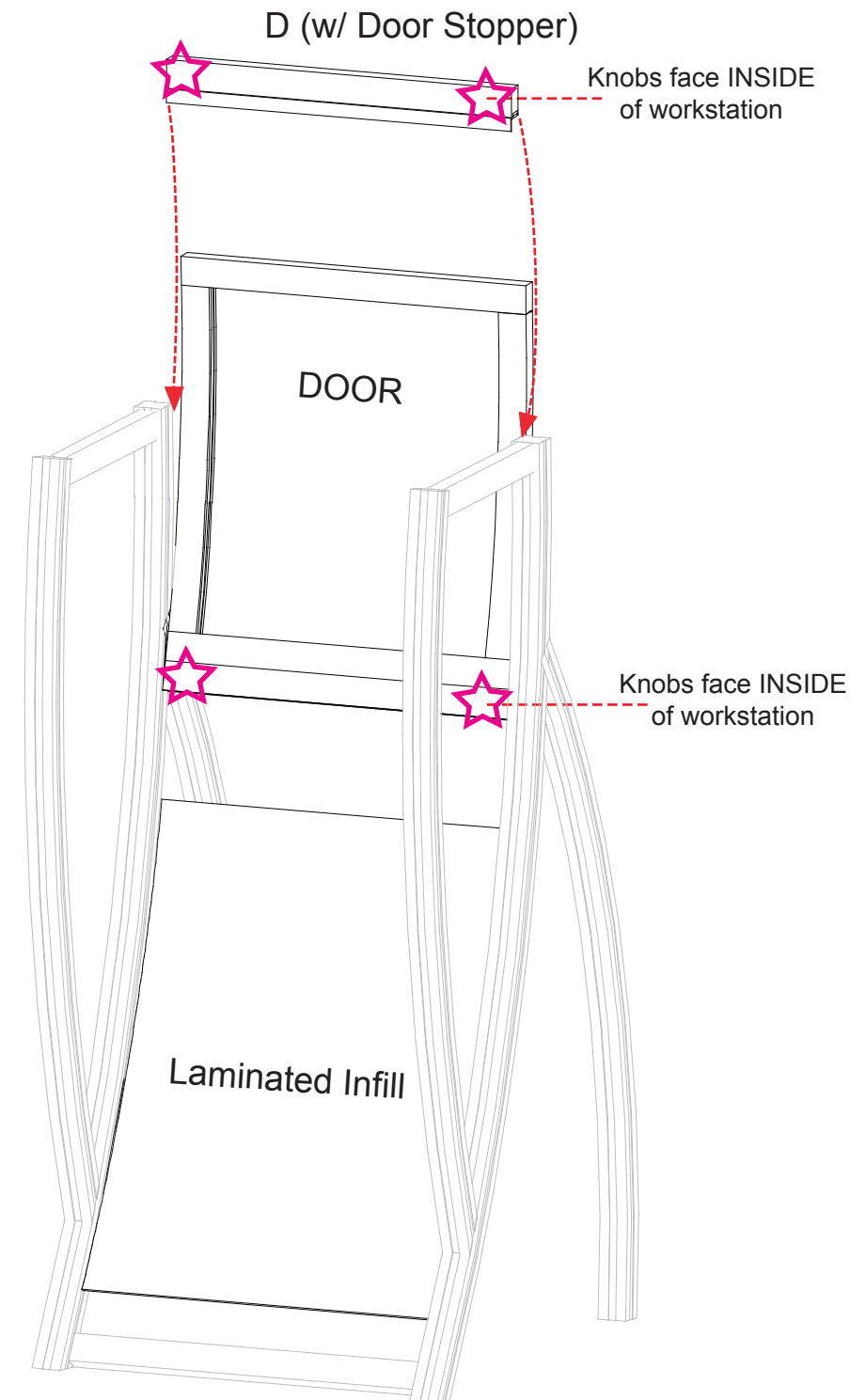
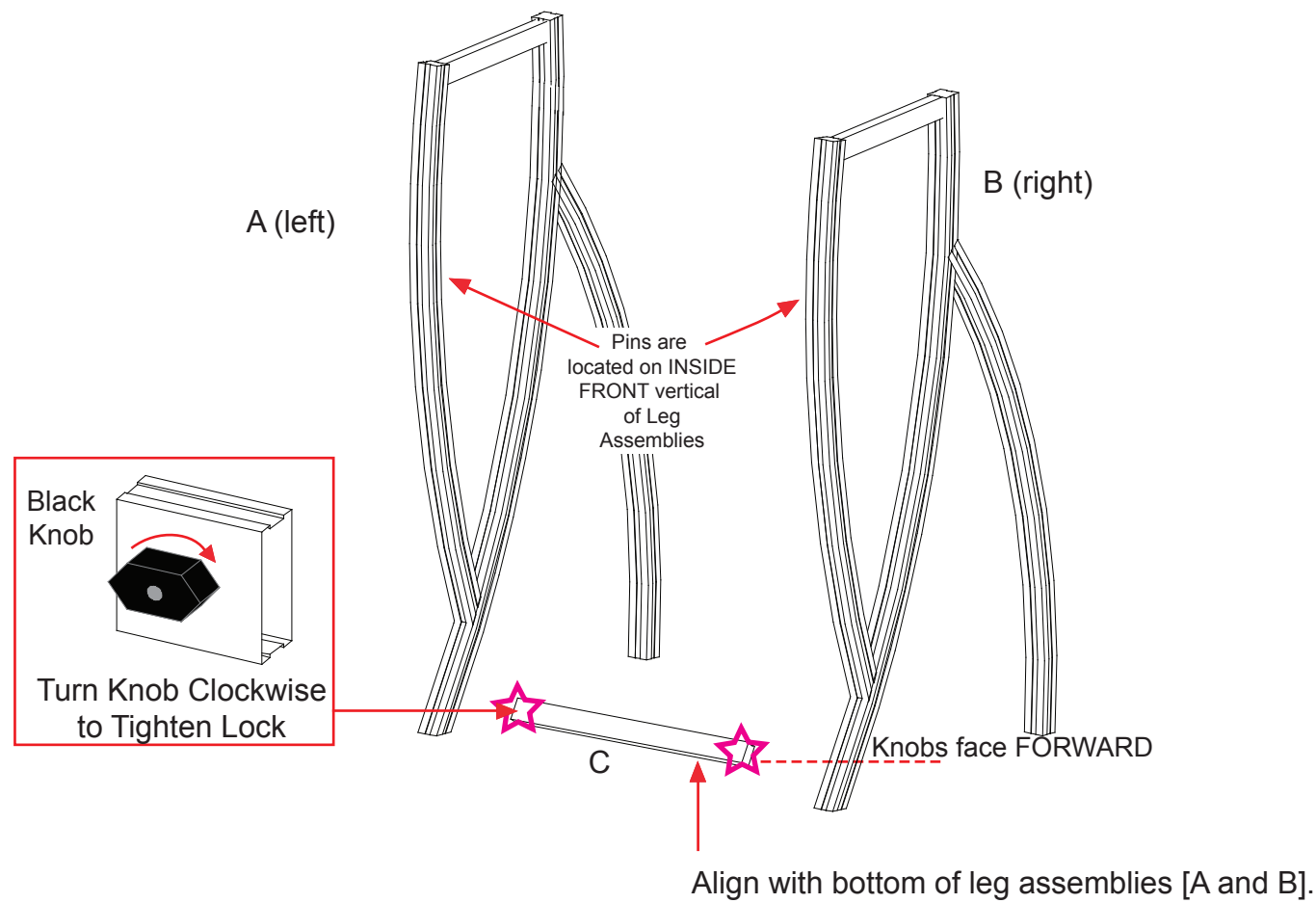
WHEN DISASSEMBLING TIGHTEN ALL KNOBS TO PREVENT LOSS DURING SHIPPING

866.652.2100

Part Number	Description
A	Left Leg Assembly
B	Right Leg Assembly
C	Horizontal Extrusion
D	Horizontal Extrusion w/ Door Stopper

- Step 1:
- A) Connect lower horizontal extrusion [C] between bottom of leg assemblies [A and B] as shown.
  - B) Insert Laminated infill into grooves of leg assemblies [A and B].
  - C) Attach extrusion door between leg assemblies [A and B] and atop laminated infill.
  - D) Attach upper horizontal extrusion w/ door stopper [D] between leg assemblies [A and B], and set flush with top of legs [A and B].

**NOTE: Make sure the lock is flush with extrusion before tightening. If lock will not fully engage, gently rock lock and extrusion back and forth while turning knob until lock fully opens.**



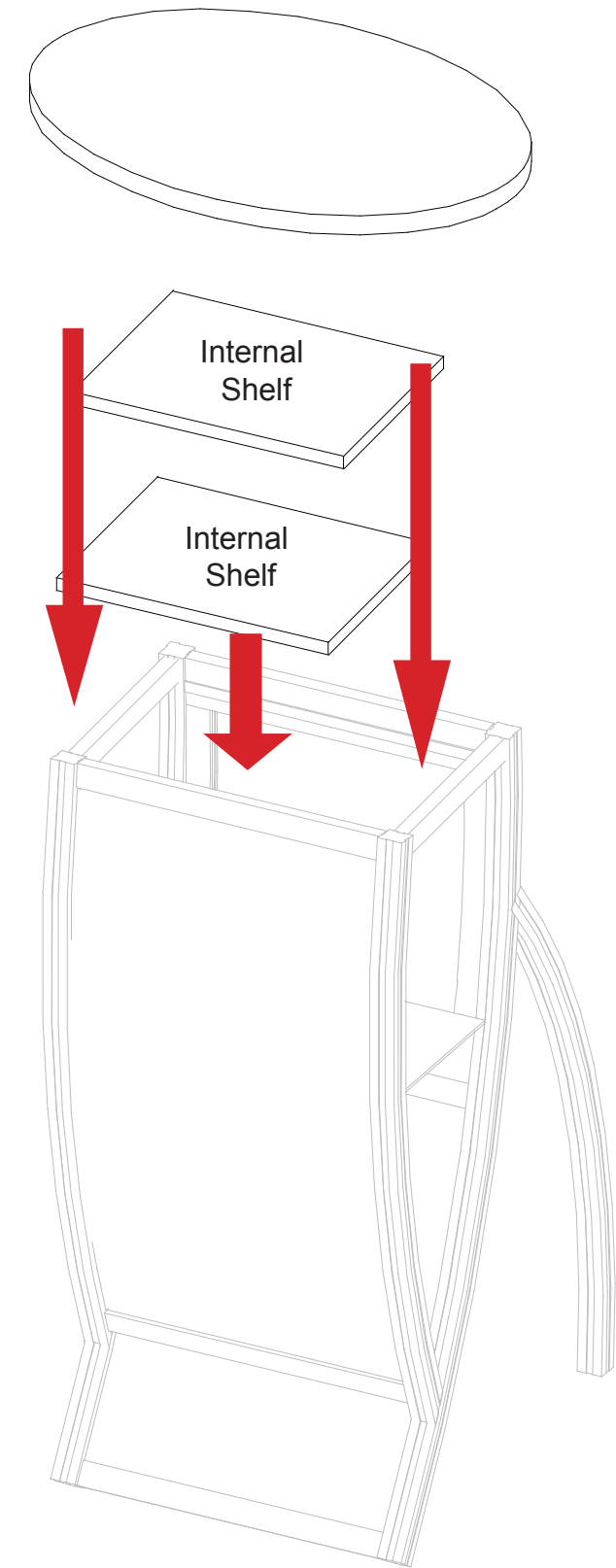
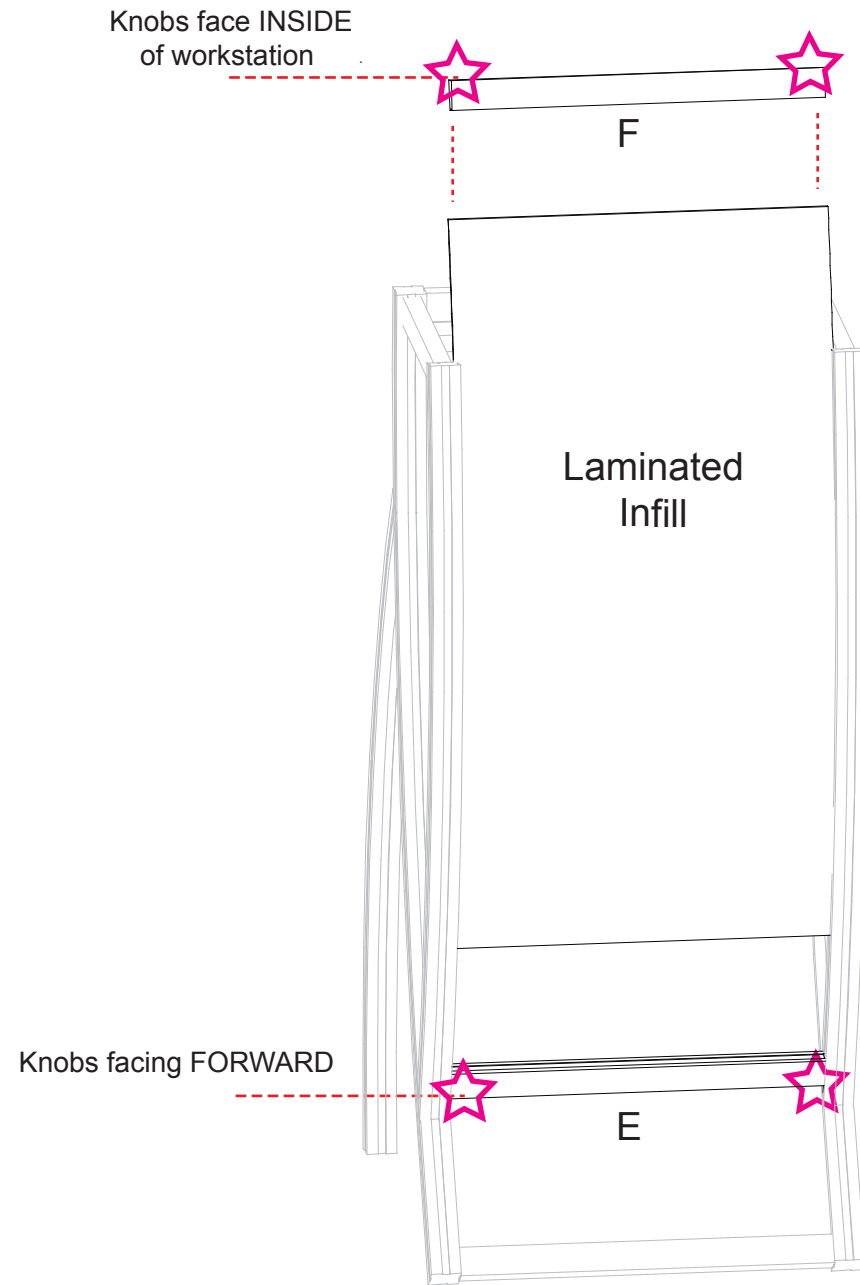
**WHEN DISASSEMBLING TIGHTEN ALL KNOBS TO PREVENT LOSS DURING SHIPPING**

866.652.2100

Part Number	Description
E	Horizontal Extrusion
F	Horizontal Extrusion

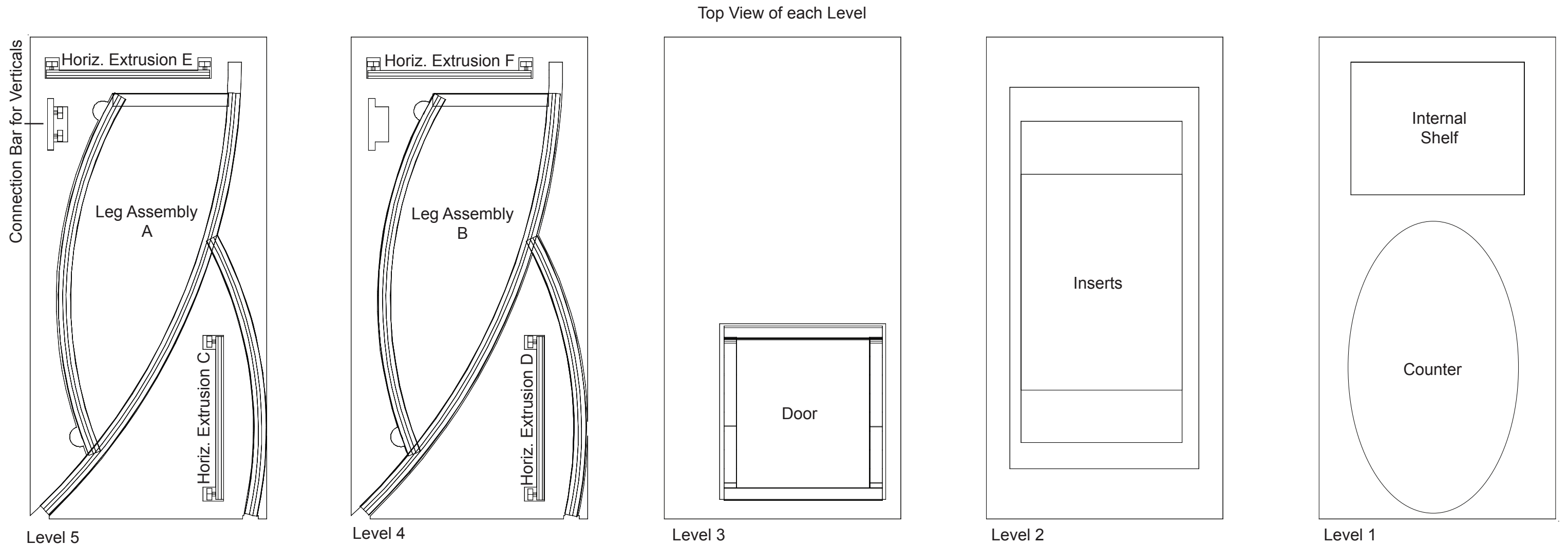
- Step 2:
- A) Attach horizontal extrusion [E] between vertical leg assemblies [A and B] as shown below.
  - B) Insert Laminated infill into grooves of vertical leg assemblies [A and B].
  - C) Attach upper horizontal extrusion [F] between vertical leg assemblies [A and B] atop infill.
  - D) Place internal shelf into assembled pedestal atop pins..
  - E) Set Counter atop assembled pedestal and secure with Velcro straps attached to underside of top.

Place internal shelves into workstation then place counter atop assembled workstation.



**WHEN DISASSEMBLING TIGHTEN ALL KNOBS TO PREVENT LOSS DURING SHIPPING**

Case #1 - Workstation Components



WHEN DISASSEMBLING TIGHTEN ALL KNOBS TO PREVENT LOSS DURING SHIPPING