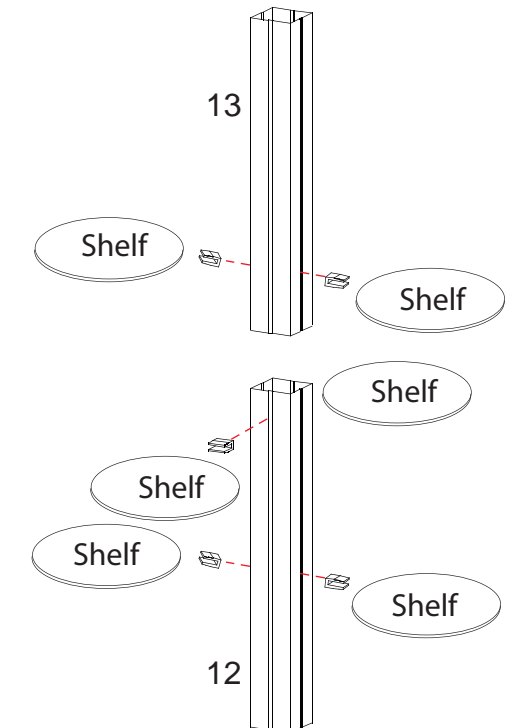
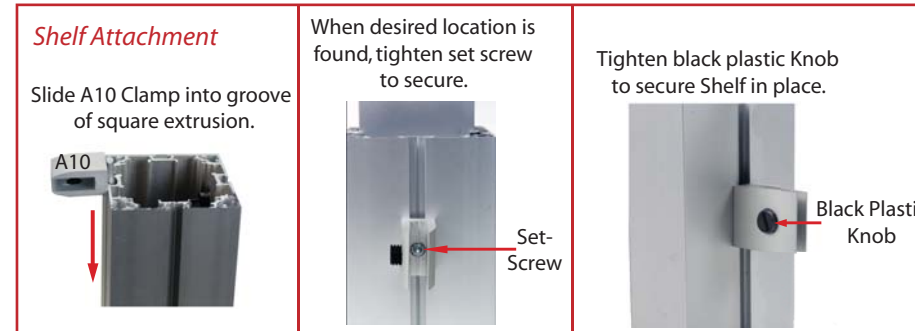




Part Number	Qty for Step	Description
1/1A	1/1	42" h Vertical Extrusion
2	1	42" h Vertical Extrusion w/ Door Stop
3	1	40.5" h Vertical Extrusion w/ Door Hinges
4	1	20.09" w Curved Horizontal Extrusion
5	1	20.09" w Curved Horizontal Extrusion
6	1	20.09" w Curved Horizontal Extrusion
7	1	20.09" w Curved Horizontal Extrusion
8	1	20.09" w Curved Horizontal Extrusion
9	1	20.09" w Curved Horizontal Extrusion
10	1	20.09" w Curved Horizontal Extrusion
11	1	20.09" w Curved Horizontal Extrusion
12	1	26.875" h Square Vertical Extrusion
13	1	26.875" h Square Vertical Extrusion

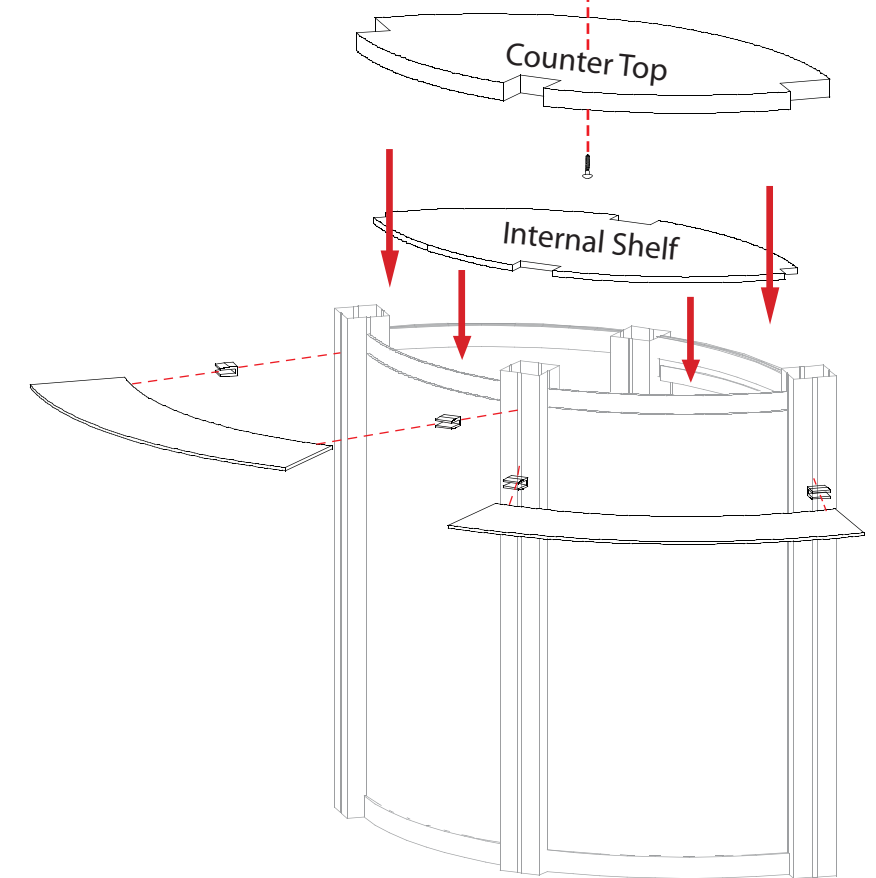
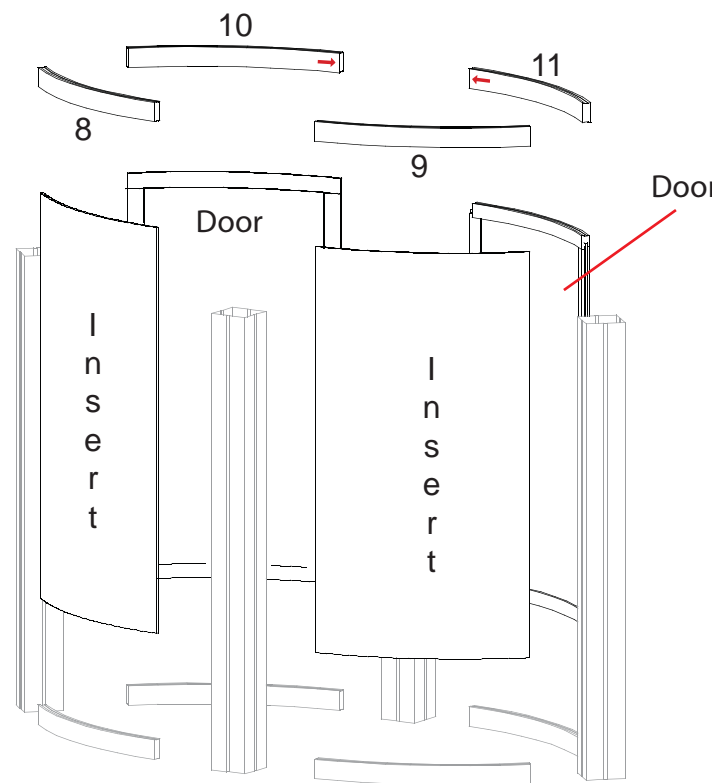
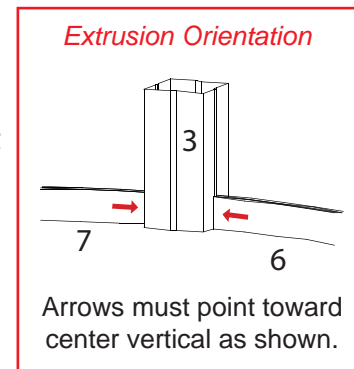
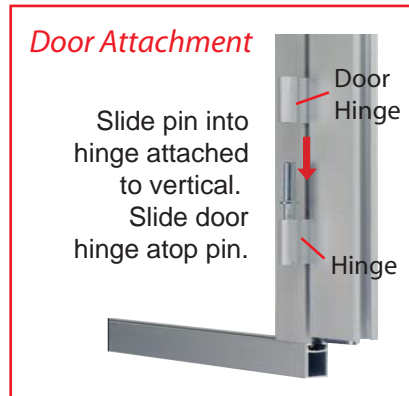
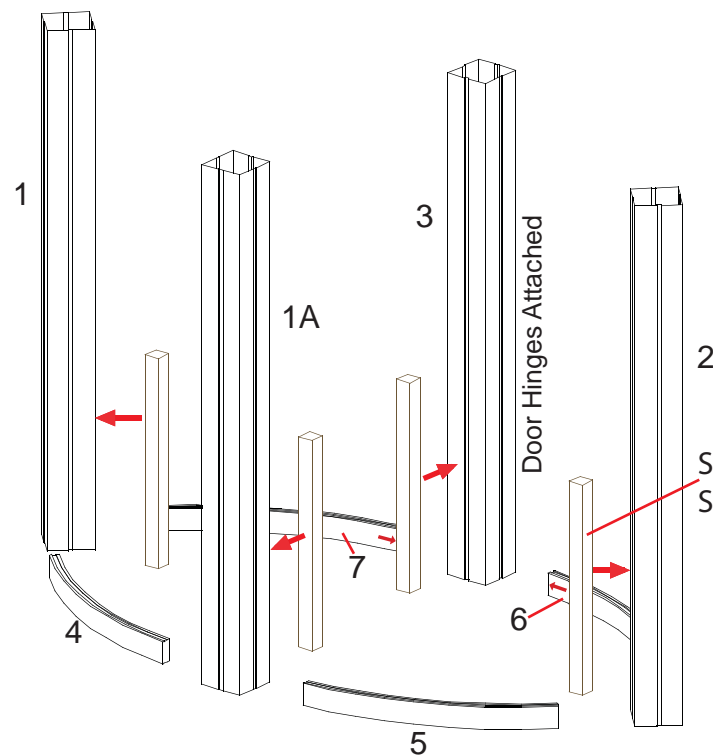


Steps:

- 1) Connect horizontal extrusions [4, 5, 6 and 7] between vertical extrusions [1, 1A, 2 and 3] where indicated.
- 2) Place inserts and attach door where indicated.
- 3) Connect upper horizontal extrusions [8, 9, 10 and 11] between vertical extrusions [1, 1A, 2 and 3].
- 4) Velcro internal shelf supports to inside of assembled base, then set shelf atop support.

Steps:

- 5) Attach vertical [12] to counter top then set atop counter base.
- 6) Attach upper vertical [13] atop lower vertical [12].
- 7) Attach Plex shelves to pedestal using A10 clamps, see Shelf Attachment details.



WHEN DISASSEMBLING ALUMINUM EXTRUSION, TIGHTEN ALL SETSCREWS AND LOCKS TO PREVENT LOSS DURING SHIPPING



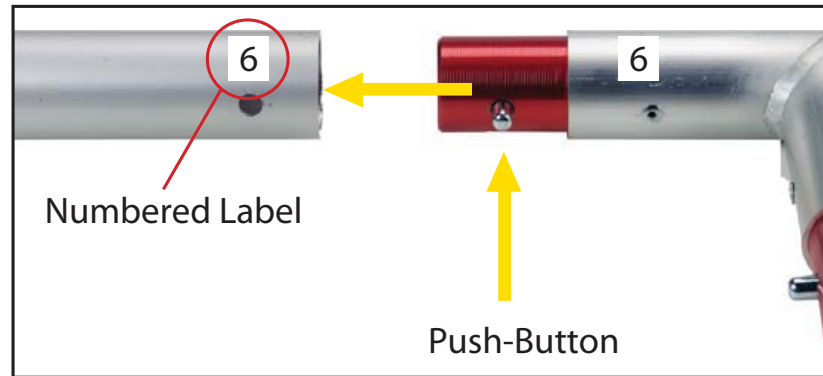
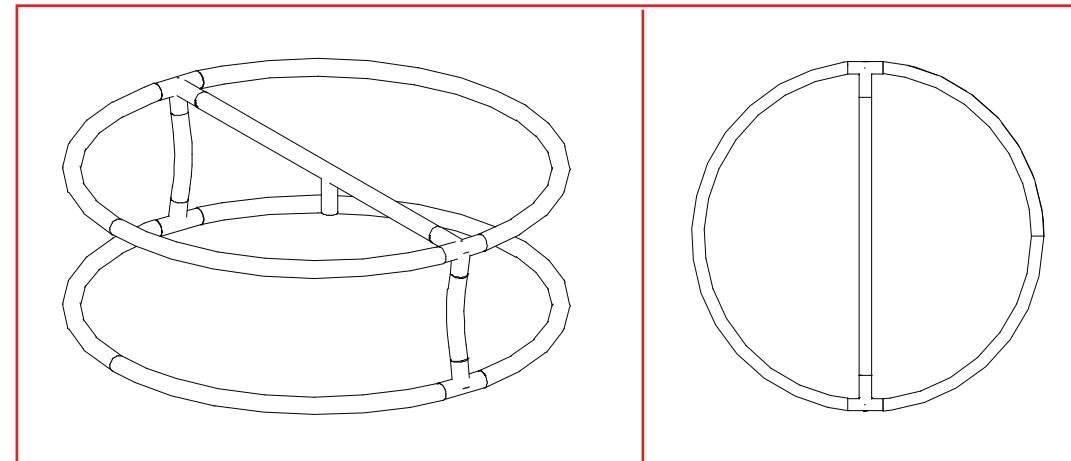
Using Your Setup Instructions

The Aero Overhead Sign Setup Instructions are created specifically for your configuration. They include an exploded view of the frame which is sequentially numbered. We encourage you to study the instructions before attempting to assemble your exhibit.

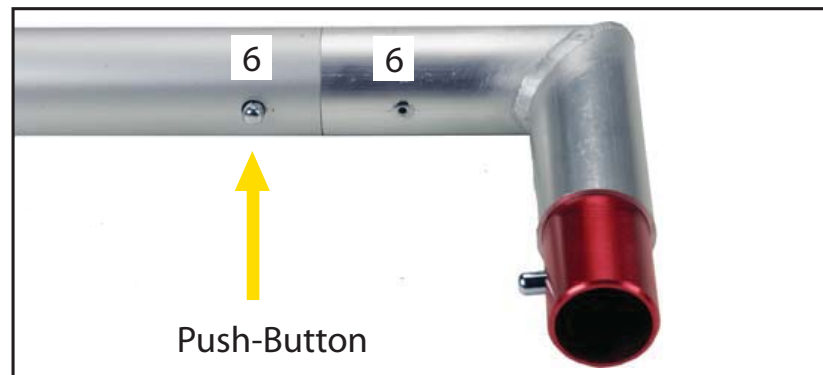
Connections are kept very simple: no tools. Everything assembles with push-button connectors and pre-connected horizontal sections.

Cleaning and Packing Your Display

- 1) Use care when cleaning aluminum extrusion or acrylic inserts. Use only non-abrasive cleaners.
- 2) Retain all packing material. It will make re-packing much easier and will reduce the likelihood of shipping damage.

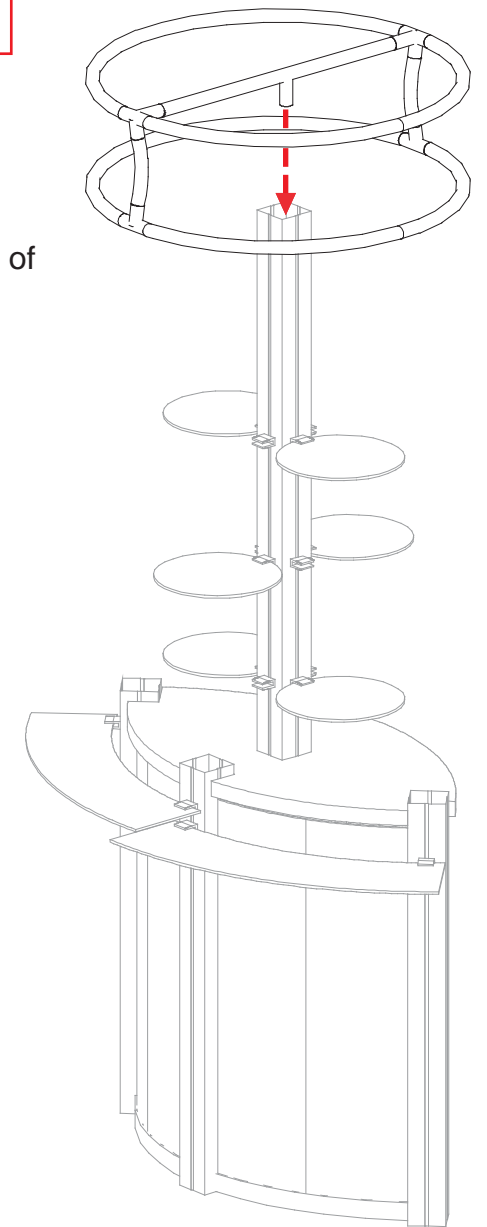
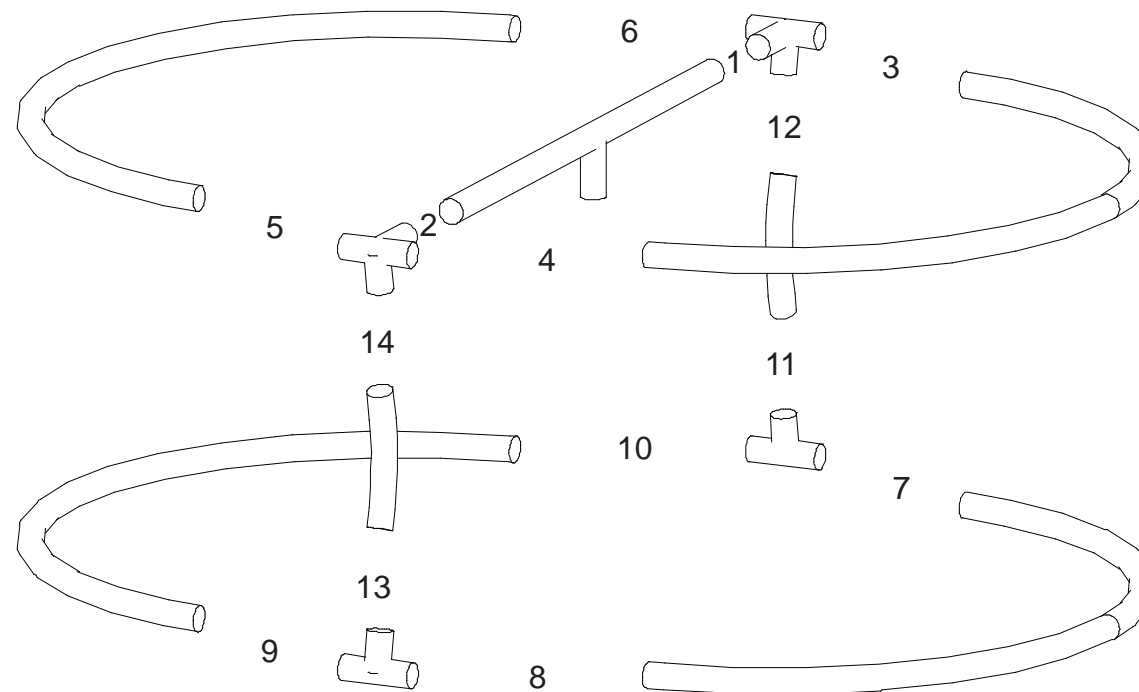


Connections are made by holding the button down and sliding the red tube into opposing tube until the connection is made. To disassemble push button and pull or twist extrusions apart.



Steps:

- 1) Connect all pieces together in numerical order.
- 2) Drop assembled header to top of vertical extrusion as shown.



WHEN DISASSEMBLING ALUMINUM EXTRUSION, TIGHTEN ALL SETSCREWS AND LOCKS TO PREVENT LOSS DURING SHIPPING

visionary™ IDESIGNS

Using Your Setup Instructions

The Visionary Designs Setup Instructions are created specifically for your configuration. They are laid out sequentially, including an exploded view of the entire display, and then a logical series of detailed steps to assemble the main structure and components. We encourage you to study the instructions **before** attempting to assemble your exhibit.

Each page reminds you to tighten the setscrews after disassembling your exhibit to prevent loss of the locks and setscrews (see below in RED). This is **VERY IMPORTANT**.

Cleaning and Packing Your Display

- 1) Use care when cleaning aluminum extrusion or acrylic inserts. Use only non-abrasive cleaners.
- 2) When cleaning laminate inserts or countertops, use mild cleansers and a soft material such as cotton.
- 3) Keep all display components away from extreme heat and long exposure to sunlight to avoid warping and fading.
- 4) Retain all packing material. It will make re-packing much easier and will reduce the likelihood of shipping damage.



The Tool

Most Visionary Designs exhibits can be assembled with the supplied Hex Key Tool. Occasionally, a flat head screwdriver may be required.

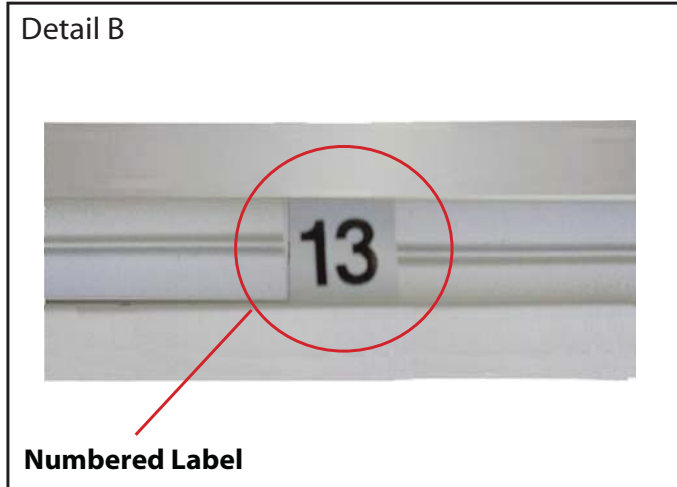


Typical Connection

Most horizontal extrusion connections have a patented expandable lock. This lock inserts into the groove of an opposing extrusion. Tightening the lock with the Hex Key Tool expands the lock and creates a strong positive connection.



Typical Connection (cont'd)



Detail B

Numbered Label

Each extrusion contains a numbered label which corresponds with setup instructions. The label is located within a groove of the extrusion (when possible). With Visionary Designs the labels contain Black numbers unless otherwise specified.



Detail C

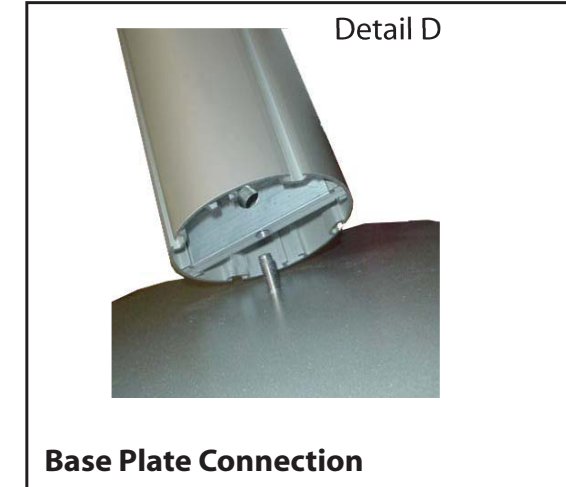
Horizontal Inline Connection (remove only one setscrew)

Remove only (1) setscrew when disassembling. Replace setscrew in extrusion after assembling it. Before packing, replace setscrew in extrusion to avoid losing it.

NOTE :

PDF copies of your Setup Instructions are available @ www.classicexhibits.com
Use the Search Tool located on the lower left-hand corner of the Classic Home
Enter your 5-7 digit Order #.

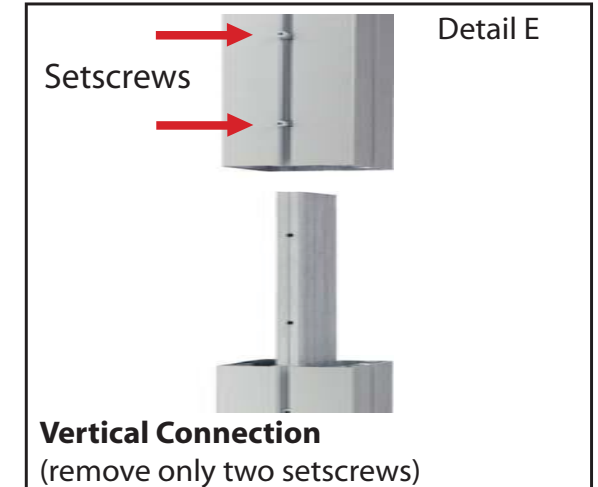
Search for Setup Instructions



Detail D

Base Plate Connection

Attach base plate to round or square vertical extrusion using the bolt provided. Be careful not to strip the threads.



Detail E

Vertical Connection
(remove only two setscrews)

When vertical extrusions are packed in portable cases rather than crates or tubs, they must be broken down into smaller sections which then require assembly.

Remove only (2) setscrews when disassembling. Replace setscrews in extrusion after assembling it. Before packing, replace setscrews in extrusion to avoid losing them.

WHEN DISASSEMBLING ALUMINUM EXTRUSION, TIGHTEN ALL SETSCREWS AND LOCKS TO PREVENT LOSS DURING SHIPPING