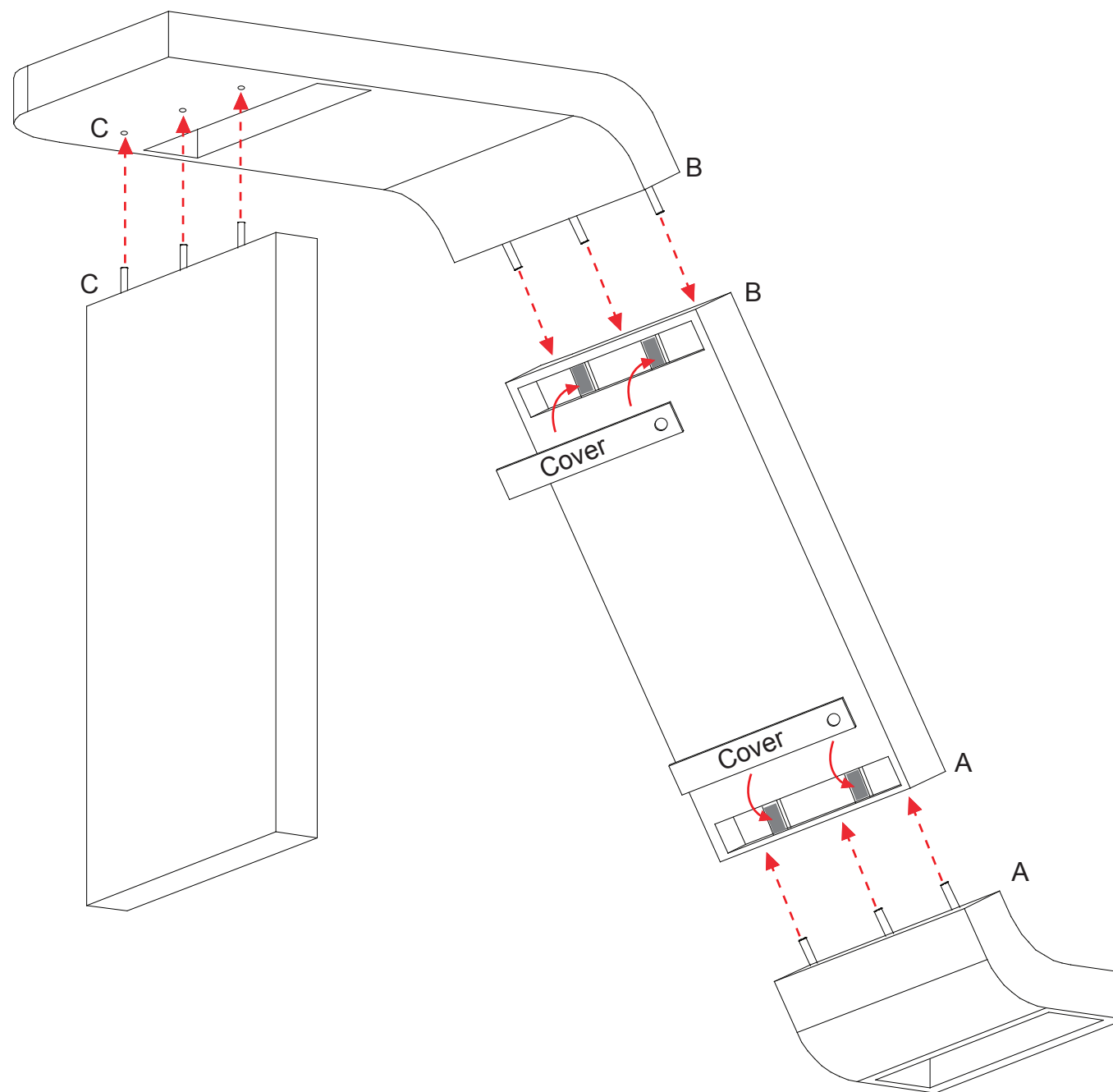




Steps:

- 1) Connect counter pieces together [A to A, B to B and C to C] by inserting threaded screws to holes and secure with wing nuts.
- 2) Velcro covers where indicated and run wire through hole on cover.

Secure connection with wing nuts



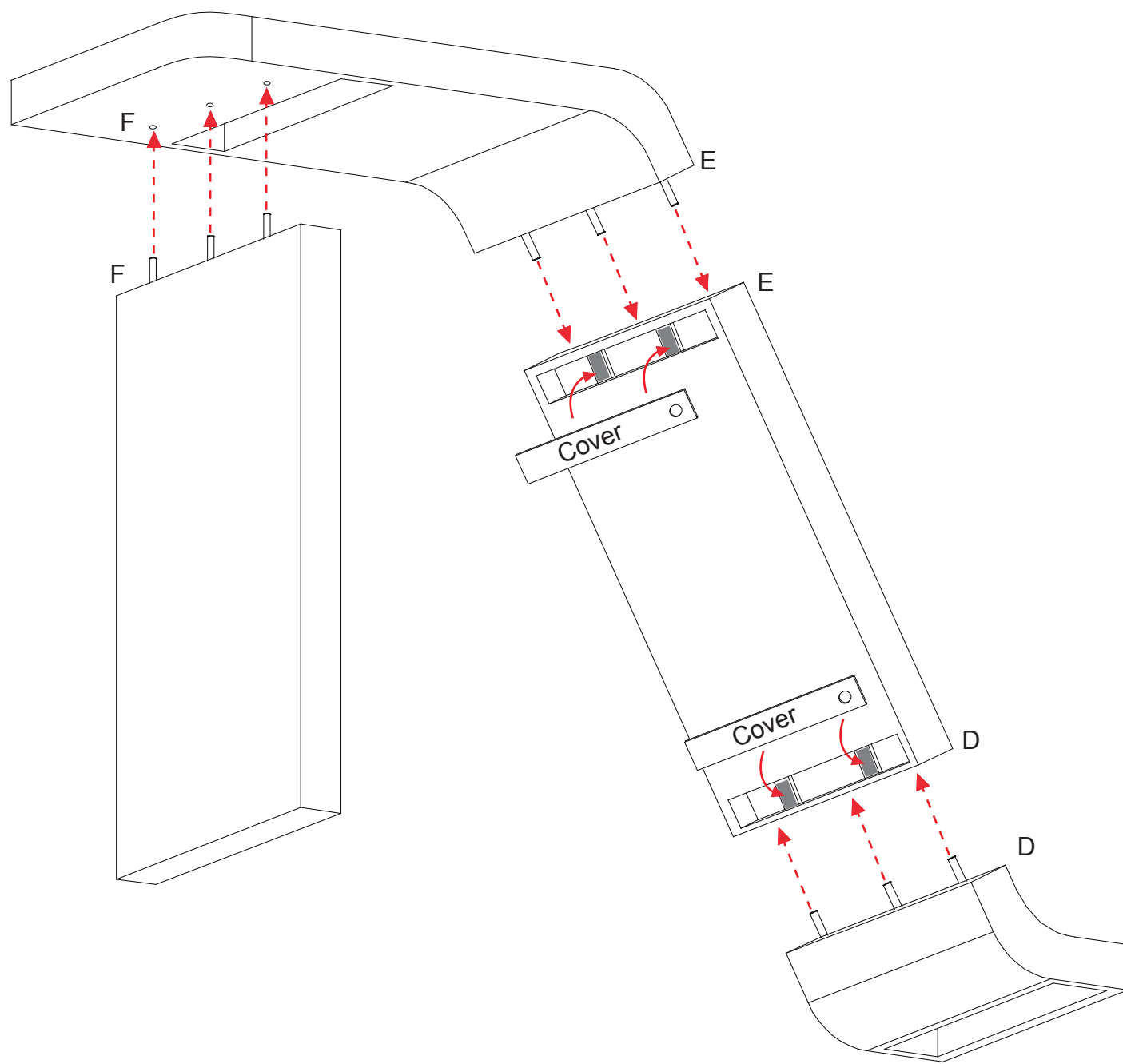
WHEN DISASSEMBLING ALUMINUM EXTRUSION, TIGHTEN ALL SETSCREWS AND LOCKS TO PREVENT LOSS DURING SHIPPING



Steps:

- 1) Connect counter pieces together [D to D, E to E and F to F] by inserting threaded screws to holes and secure with wing nuts.
- 2) Velcro covers where indicated and run wire through hole on cover.

Secure connection with wing nuts



WHEN DISASSEMBLING ALUMINUM EXTRUSION, TIGHTEN ALL SETSCREWS AND LOCKS TO PREVENT LOSS DURING SHIPPING