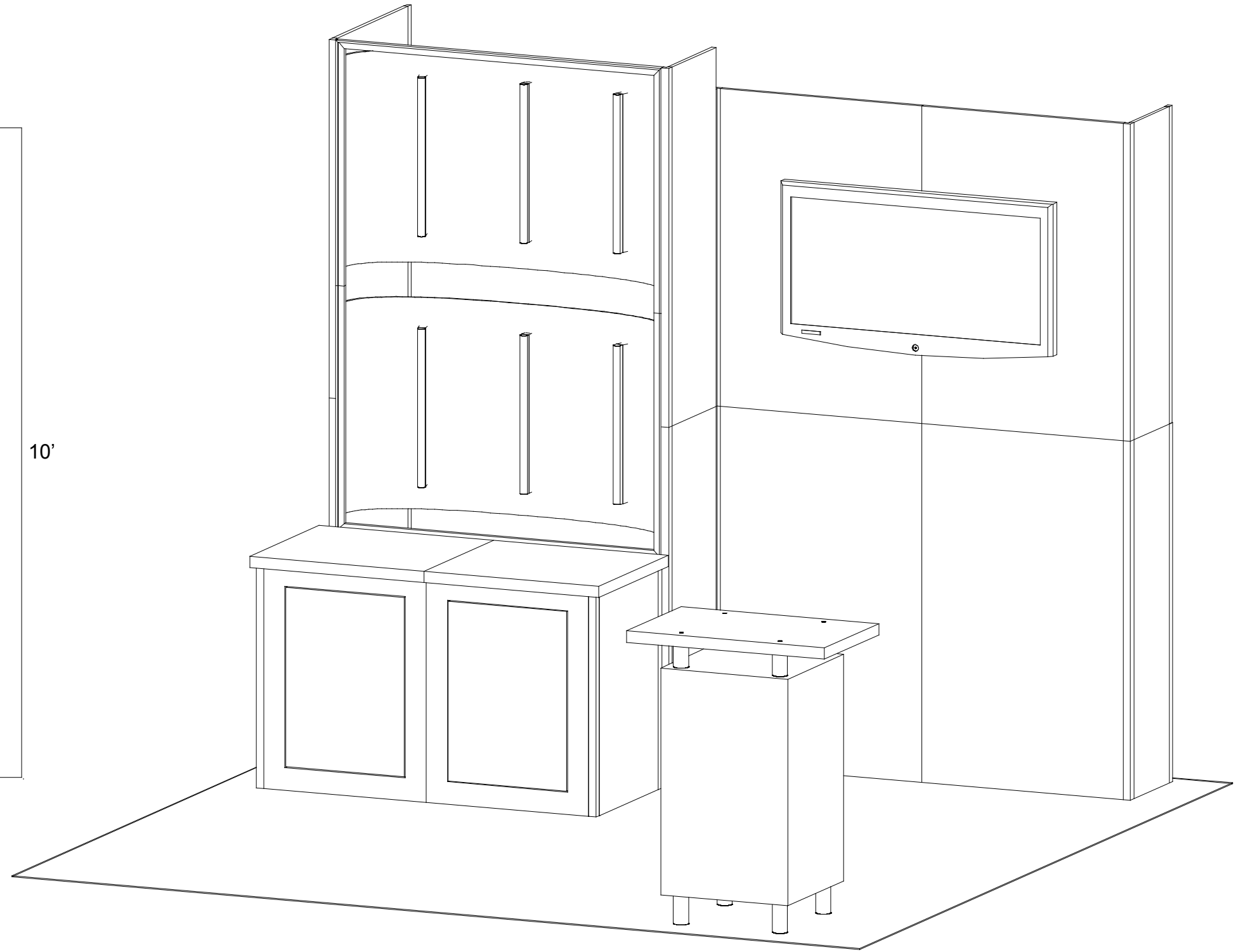
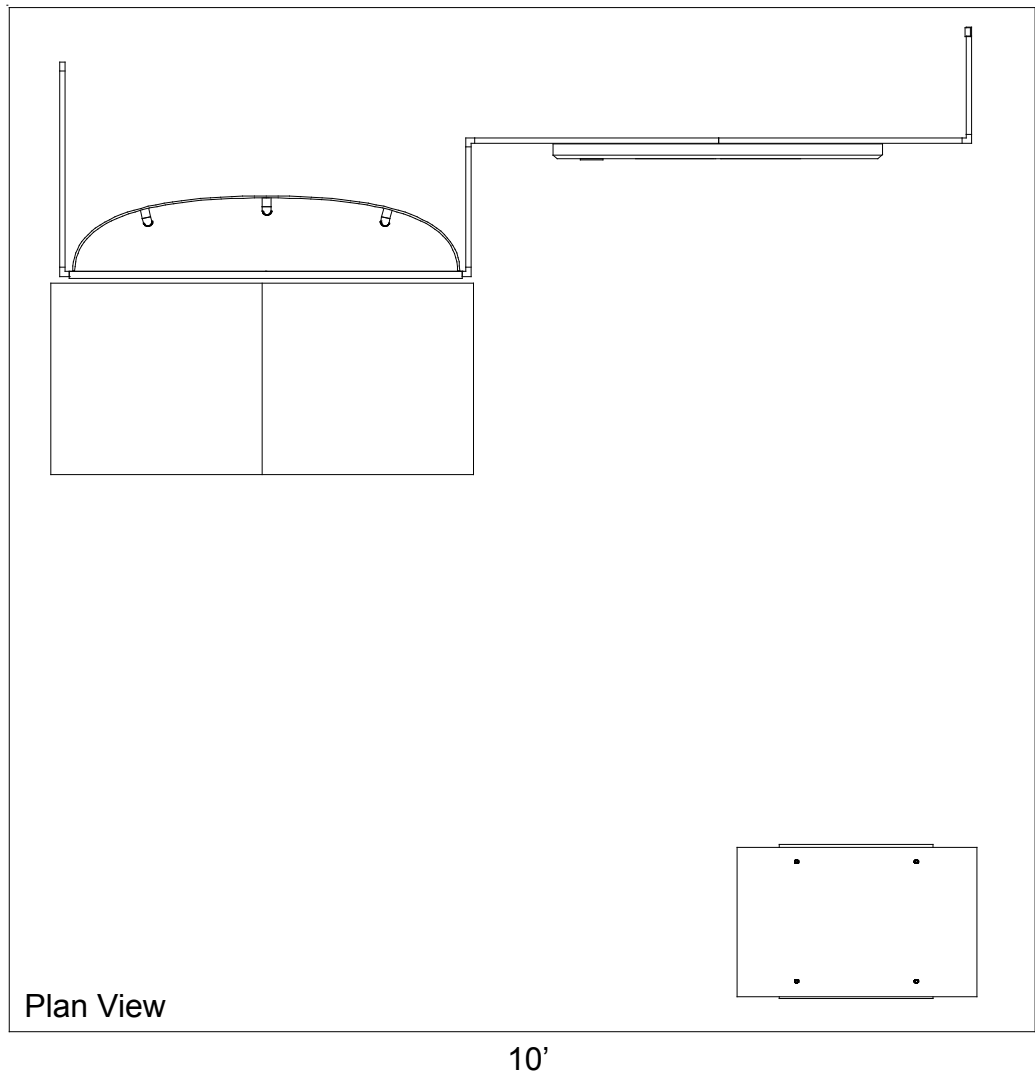


# euro It



# euro lt | HYBRIDS

## Euro LT Hybrids General Setup Instructions

### Using Your Setup Instructions

The Euro LT Hybrids Setup Instructions are created specifically for your configuration. They are laid out sequentially in levels, including exploded views, and a logical series of detailed steps to assemble the main structure and components. We encourage you to study the instructions **before** attempting to assemble your exhibit.

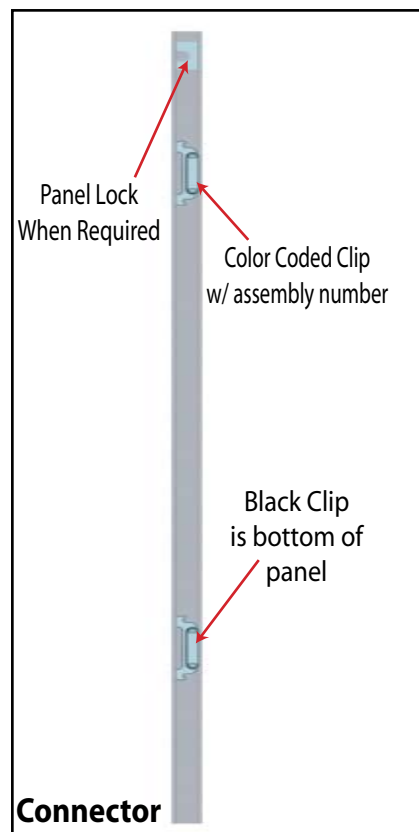
### Cleaning and Packing Your Display

- 1) When cleaning laminate countertops or panels use mild cleansers and a soft material such as cotton.
- 2) Keep all display components away from extreme heat and long exposure to sunlight to avoid warping and fading.
- 3) Retain all packing material. It will make re-packing much easier and will reduce the likelihood of shipping damage.

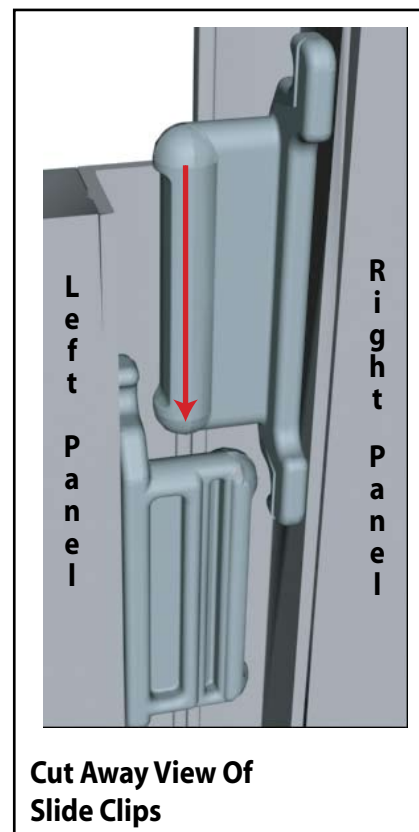
Level 1 = Blue  
 Level 2 = Red  
 Level 3 = Green  
 Level 4 = Black

#### Color Code

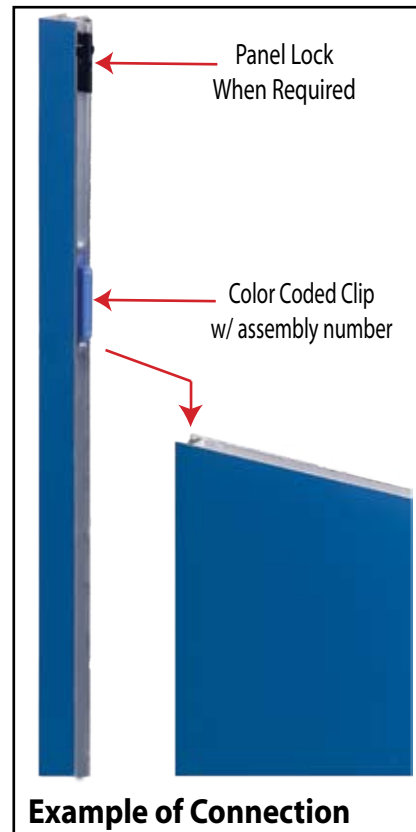
The top clip is color coded to distinguish the level. The color coded clip also contains the numbered label



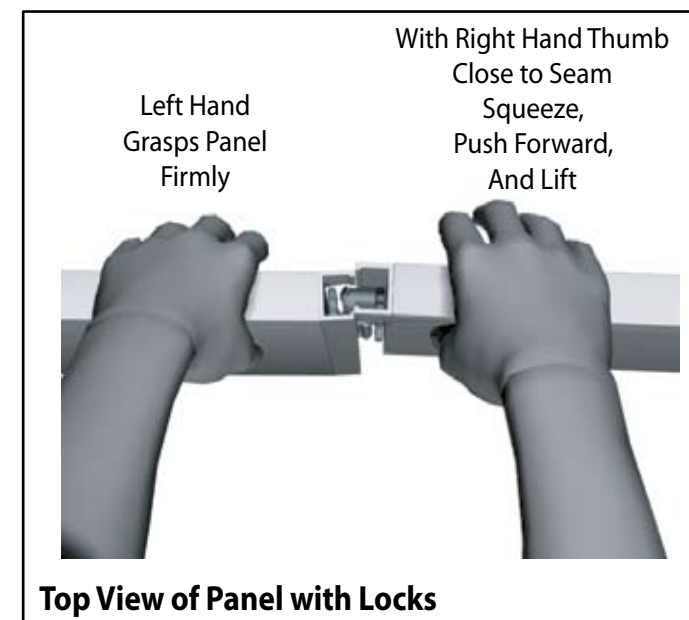
Each component has 2 clips, the lower clip is ALWAYS black..



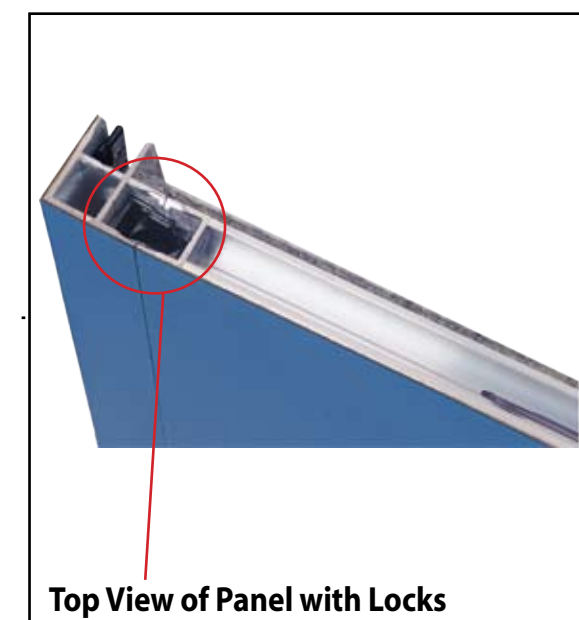
Components connect together by aligning them and sliding downward connecting clips together.



Configurations are assembled from left to right, usually starting with #1 and following the numbered sequence.



The first level of components contains panel locks that are located at the top of the panel for extra stability and a seamless connection. When disassembling panels, twist top connection slightly and lift right panel upward.



#### NOTE :

PDF copies of your Setup Instructions are available @ [www.classicexhibits.com](http://www.classicexhibits.com)  
 Use the Search Tool located on the lower left-hand corner of the Classic Home page.

Enter your 5-7 digit Order #. Search for Setup Instructions

Item Number	Description
1	47.5”h Endcap
2	23”w x 47.5”h Flat Panel
3	47.5”h 90° Connector
4	23”w x 30”h Flat Panel
5	23”w x 30”h Flat Panel
6	47.5”h 90° Connector
7	14.125”w Flat Panel
8	47.5”h 90° Connector
9	28.5”w x 47.5”h Flat Panel
10	28.5”w x 47.5”h Flat Panel
11	47.5”h 90° Connector
12	11.5”w x 47.5”h Flat Panel
13	47.5”h Endcap

Steps:  
Connect panels together in numerical order as shown in illustrations.

□ 13

12

□ 11

1 □

2

8

9

10

7

□ 3

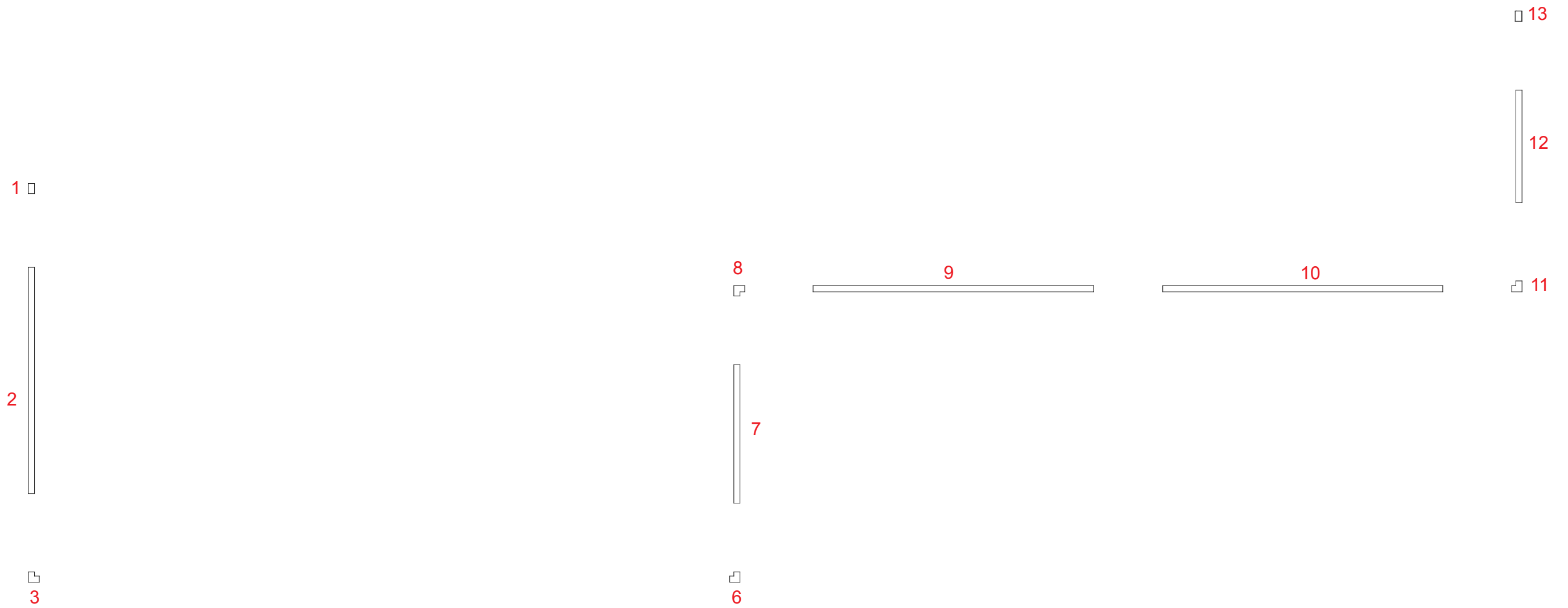
4

5

□ 6

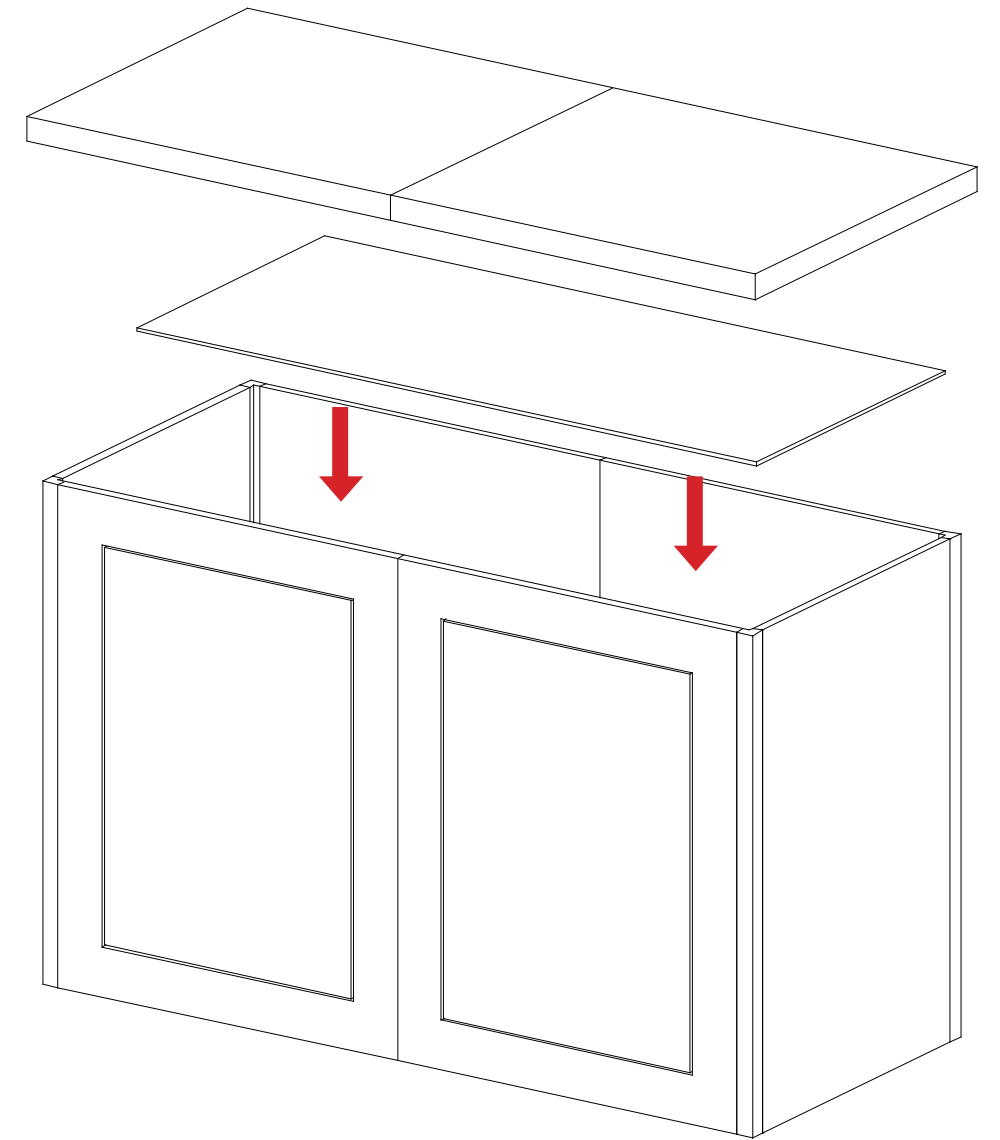
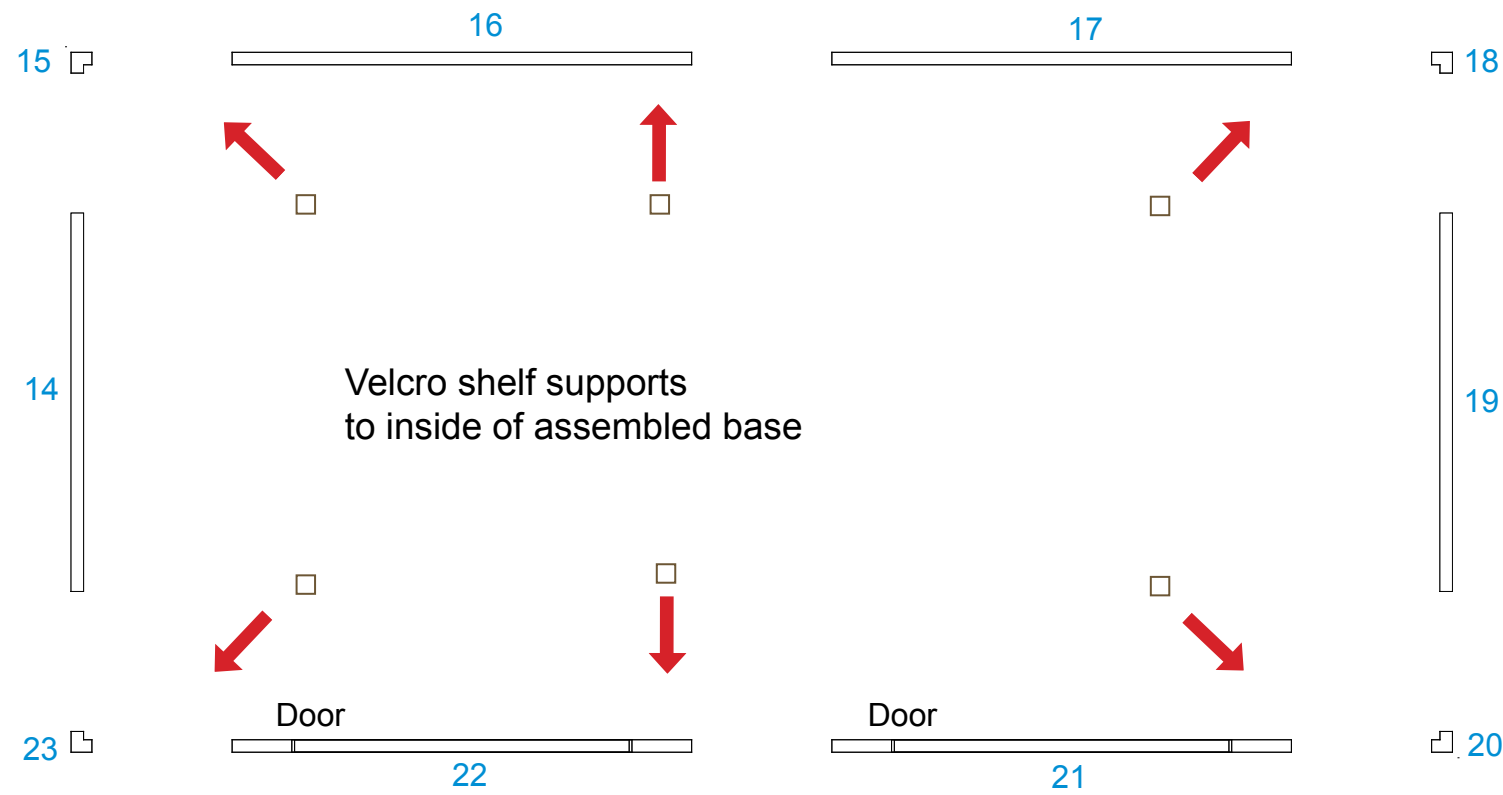
Item Number	Description
1	47.5”h Endcap
2	23”w x 47.5”h Flat Panel
3	47.5”h 90° Connector
6	47.5”h 90° Connector
7	14.125”w Flat Panel
8	47.5”h 90° Connector
9	28.5”w x 47.5”h Flat Panel
10	28.5”w x 47.5”h Flat Panel
11	47.5”h 90° Connector
12	11.5”w x 47.5”h Flat Panel
13	47.5”h Endcap

Steps:  
Connect panels together in numerical order as shown in illustrations.

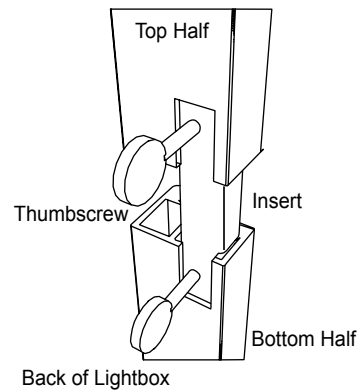


Item Number	Description
14	19" w x 30" h Flat Panel
15	30" h 90° Connector
16	23" w x 30" h Flat Panel
17	23" w x 30" h Flat Panel
18	30" h 90° Connector
19	19" w x 30" h Flat Panel
20	30" h 90° Connector
21	23" w x 30" h Flat Panel w/ Door
22	23" w x 30" h Flat Panel w/ Door
23	30" h 90° Connector

Steps:  
 Connect panels together in numerical order as shown in illustrations.  
  
 Velcro shelf supports to inside of assembled base, then set internal shelf atop supports.  
  
 Set counter top atop assembled base.

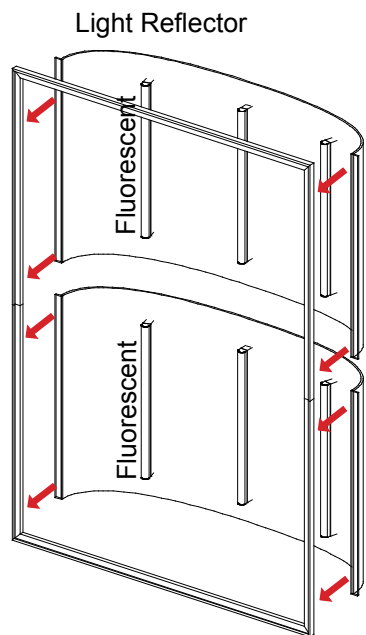


**Lightbox Splice**



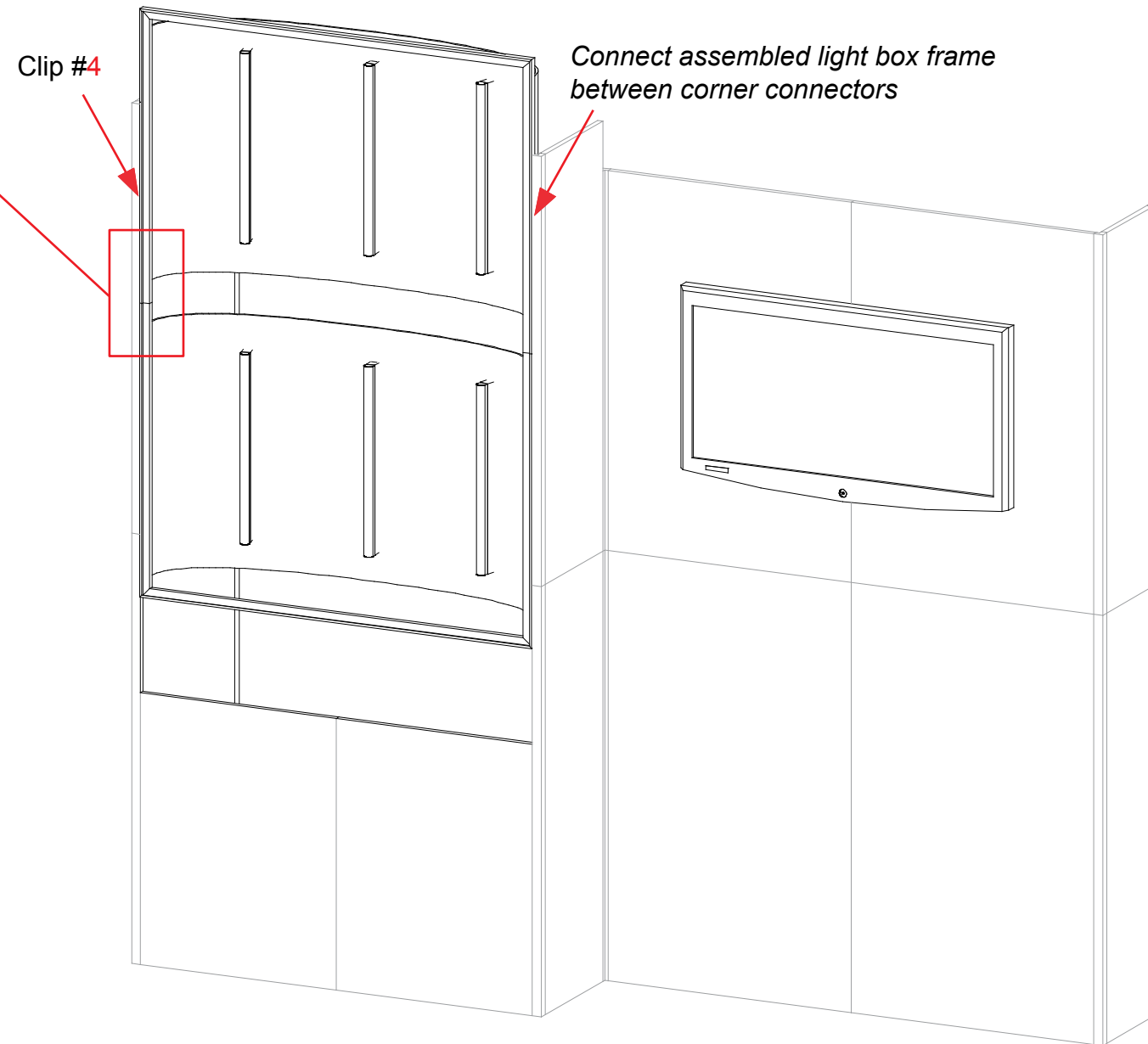
Place insert into bottom half and tighten bottom thumbscrew. Slide top half of lightbox onto insert and tighten thumbscrew.

**Reflector Panel Attachment**

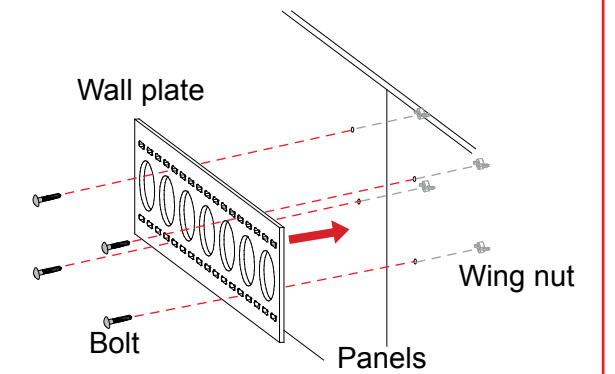


After assembling light box to backwall, Velcro light reflectors to back of frame. Velcro fluorescent lights to reflector panels as shown.

**Steps:**  
 Connect light box halves together.  
 Connect assembled light box frame to backwall.  
 Attach light reflector panels to back of frame, then Velcro fluorescent lights.  
 Attach monitor mount to backwall where indicated.

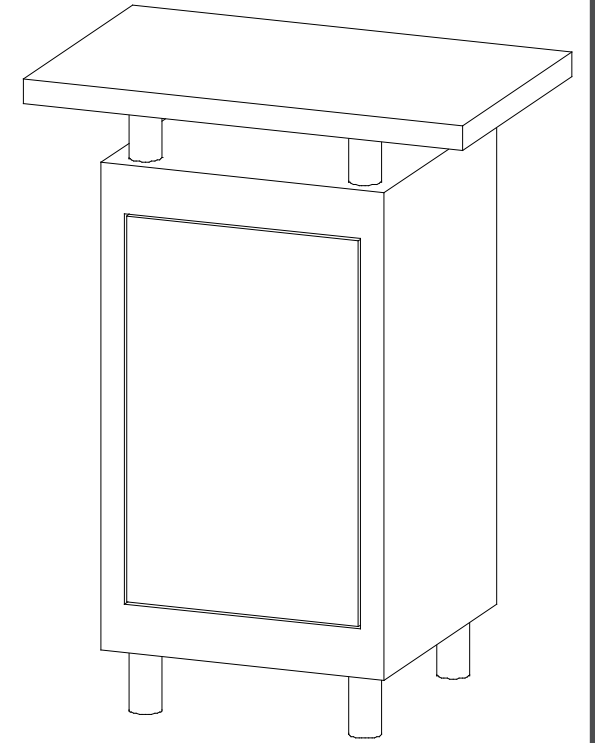
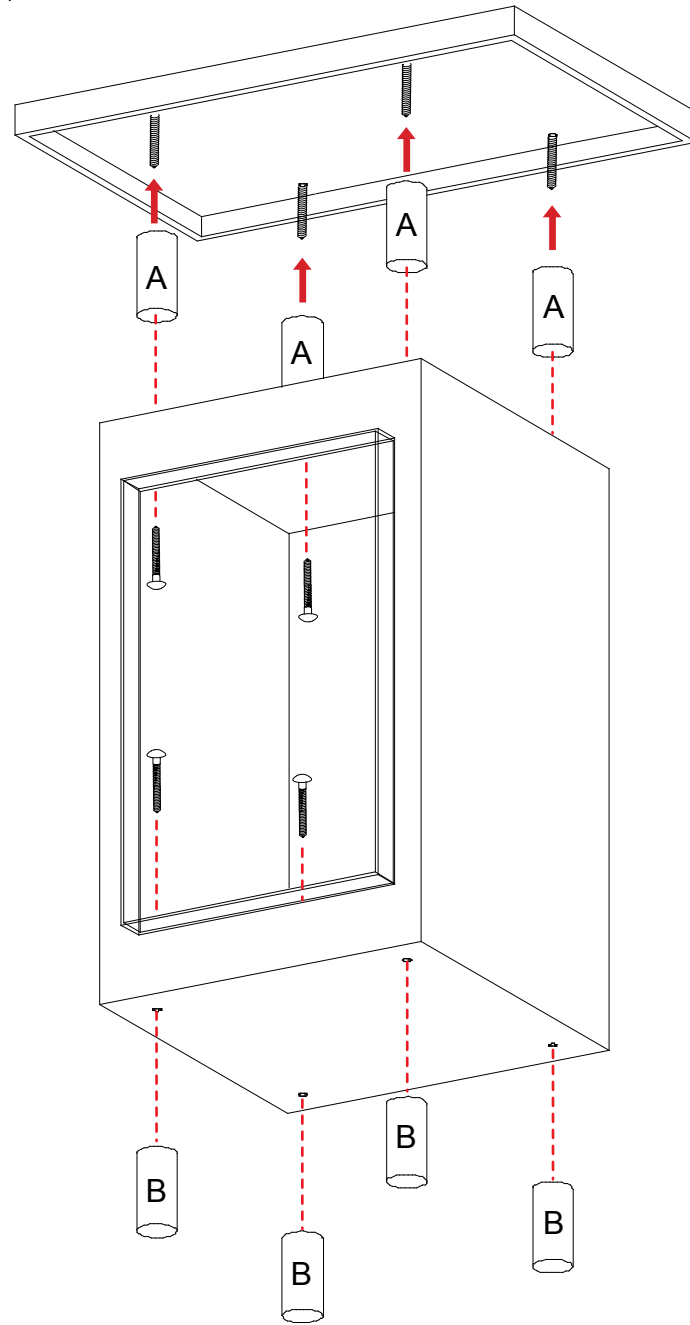


**Monitor Mount Attachment**

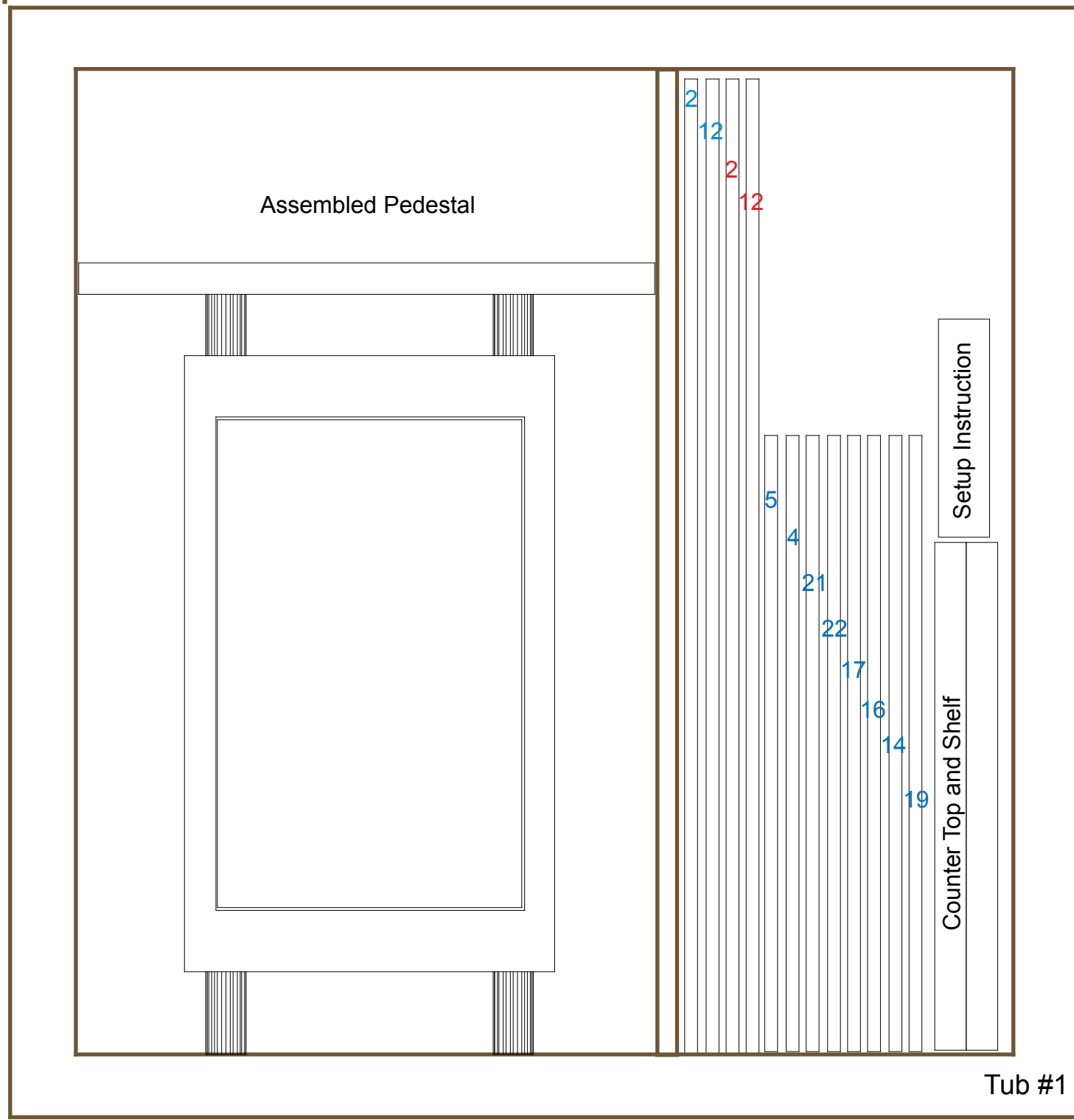


Attach wall plate to panels using bolts and wing nuts

Steps:  
Attach feet [B] to bottom of cabinet box using bolts.  
Screw standoffs [A] to bottom of counter top.  
Attach counter top with standoffs to top of cabinet box using bolts.  
*--- Pedestal must stay assembled when shipping in shipping tub ---*



Front View of Tub



Front View of Tub

