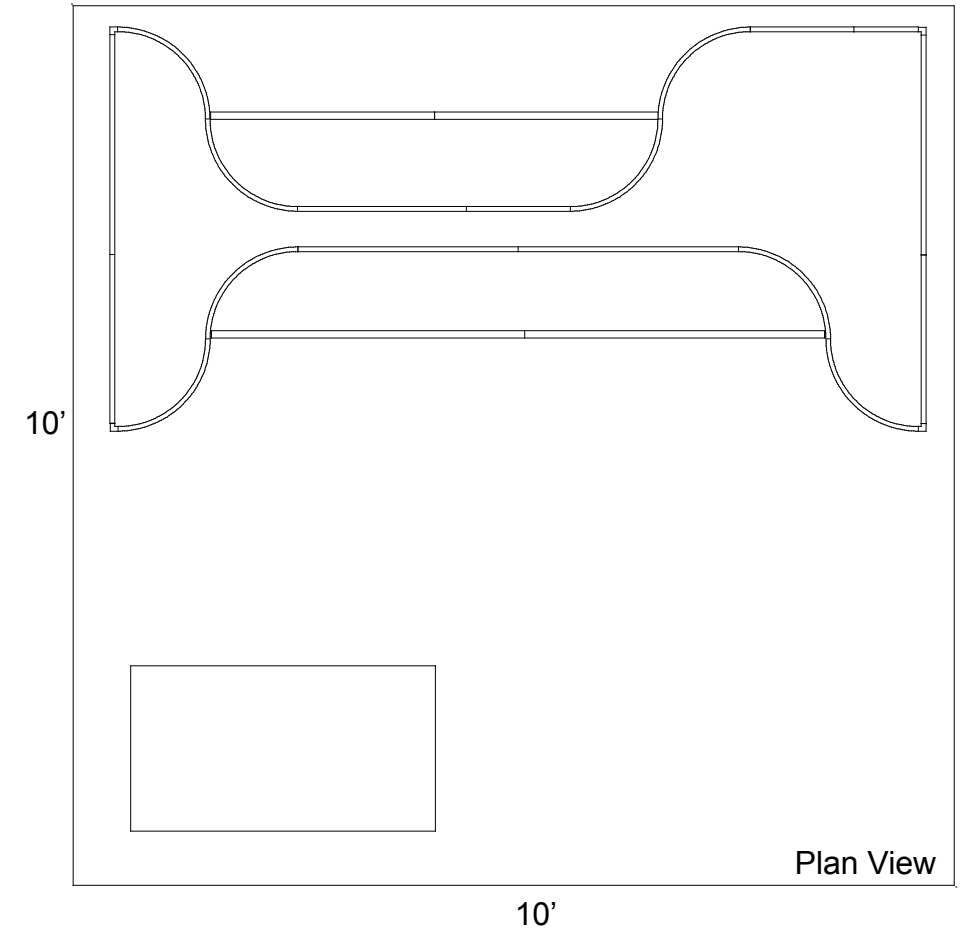
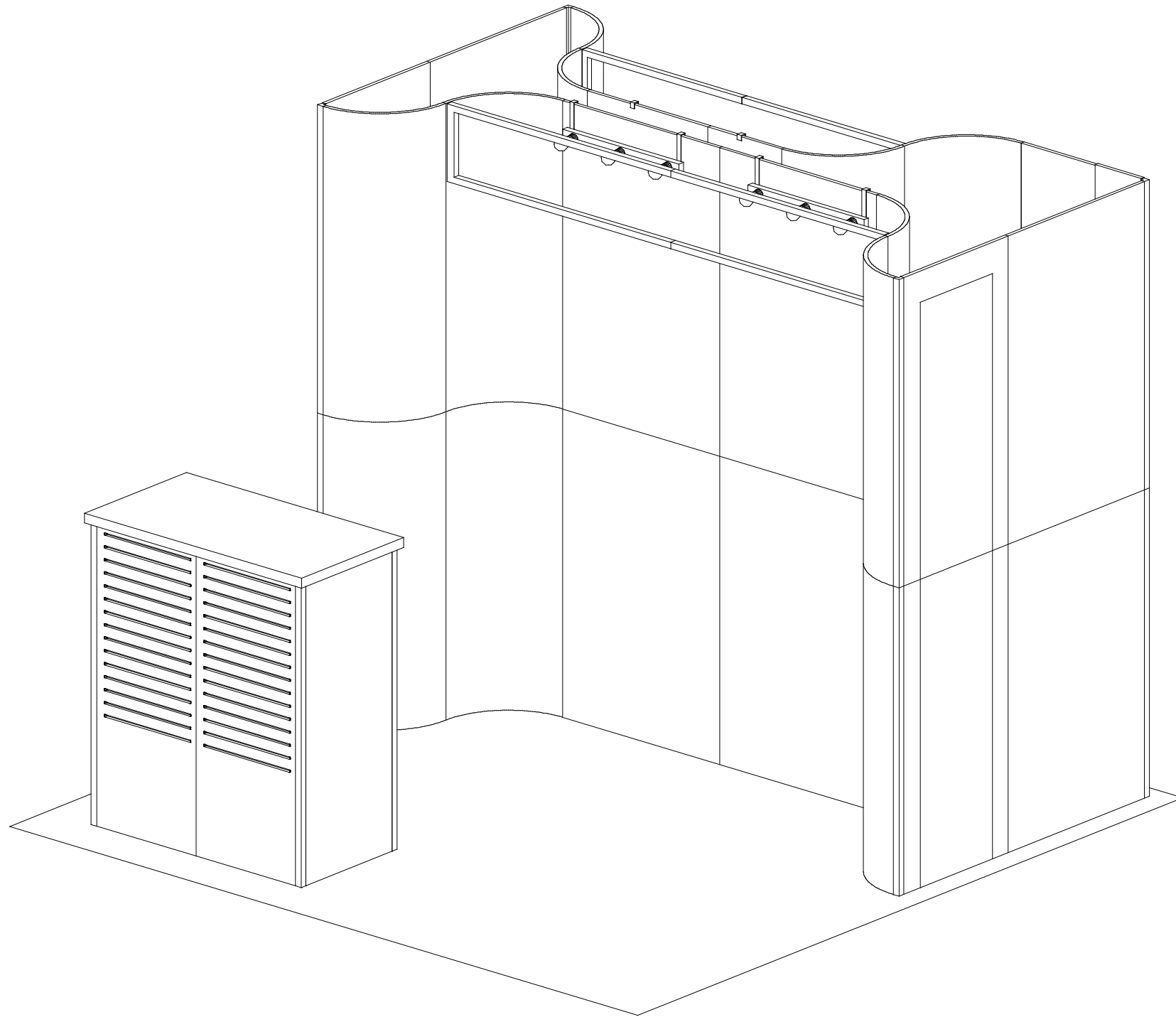


euro It | HYBRIDS



WHEN DISASSEMBLING ALUMINUM EXTRUSION, TIGHTEN ALL SETSCREWS AND LOCKS TO PREVENT LOSS DURING SHIPPING

euro lt | HYBRIDS

Using Your Setup Instructions

The Euro LT Hybrids Setup Instructions are created specifically for your configuration. They are laid out sequentially in levels, including exploded views, and a logical series of detailed steps to assemble the main structure and components. We encourage you to study the instructions **before** attempting to assemble your exhibit.

Each page reminds you to tighten the setscrews after disassembling your exhibit to prevent loss of the locks and setscrews (see below in RED). This is VERY IMPORTANT.

Cleaning and Packing Your Display

- 1) Use care when cleaning aluminum extrusion or acrylic inserts. Use only non-abrasive cleaners.
- 2) When cleaning laminate inserts, countertops, or panels use mild cleansers and a soft material such as cotton.
- 3) Keep all display components away from extreme heat and long exposure to sunlight to avoid warping and fading.
- 4) Retain all packing material. It will make re-packing much easier and will reduce the likelihood of shipping damage.

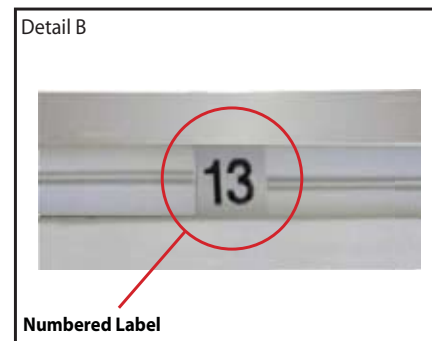
General Setup Instructions for Extrusion System



Most exhibits can be assembled with the supplied Hex Key Tool. Occasionally, a flat head screwdriver may be required.



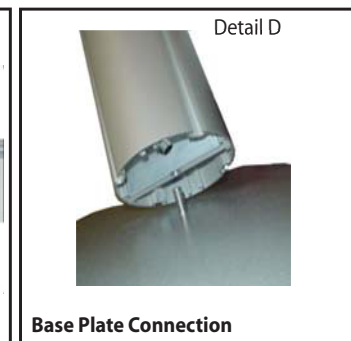
Most horizontal extrusion connections have a patented expandable lock. This lock inserts into the groove of an opposing extrusion. Tightening the lock with the Hex Key Tool expands the lock and creates a strong positive connection.



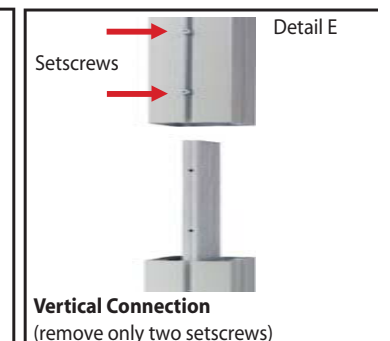
Each extrusion contains a numbered label which corresponds with setup instructions. The label is located within a groove of the extrusion (when possible). With extrusion components the labels contain Black numbers unless otherwise specified.



Remove only (1) setscrew when disassembling. Replace setscrew in extrusion after assembling it. Before packing, replace setscrew in extrusion to avoid losing it.

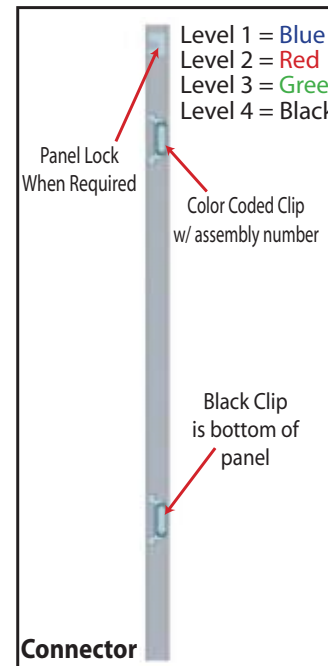


Attach base plate to round or square vertical extrusion using the bolt provided. Be careful not to strip the threads.

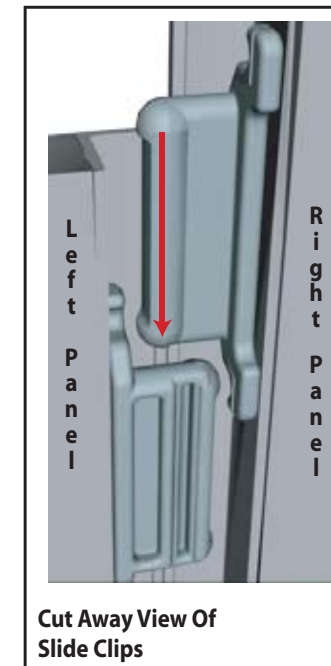


When vertical extrusions are packed in portable cases rather than crates or tubs, they must be broken down into smaller section which then require assembly.

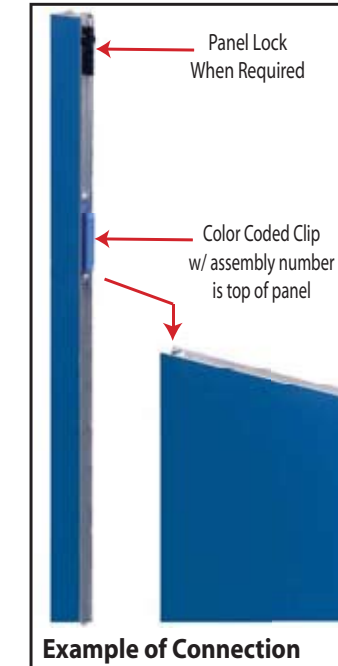
Remove only (2) setscrews when disassembling. Replace setscrews in extrusion after assembling it. Before packing, replace setscrews in extrusion to avoid losing them.



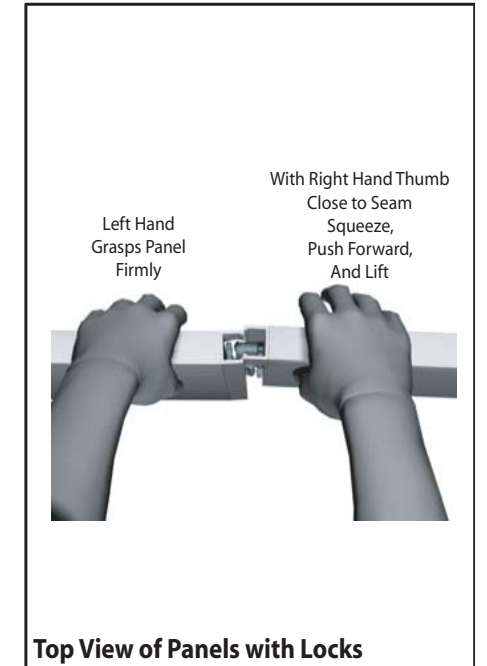
Each component has 2 clips, the lower clip is ALWAYS black. The top clip is color coded to distinguish which level. The color coded clip also contains the numbered label.



Components connect together by aligning them and sliding downward connecting clips together.

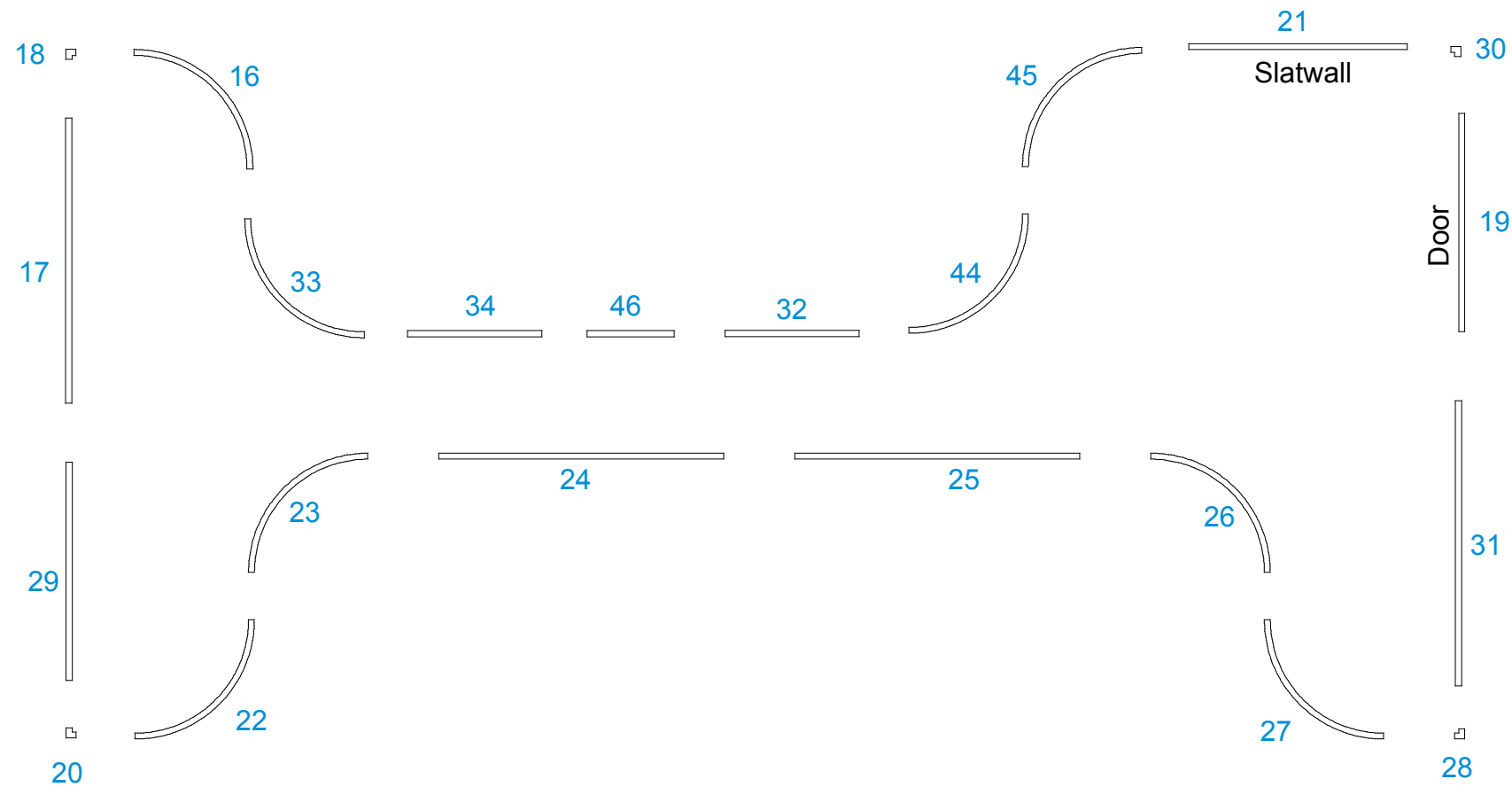


Configurations are assembled from left to right, usually starting with #1 and following the numbered sequence.



The first level of components contain panel locks that are located at the top of the panel for extra stability and seamless connection. When disassembling panels twist top connection slightly and lift right panel upward.

WHEN DISASSEMBLING ALUMINUM EXTRUSION, TIGHTEN ALL SETSCREWS AND LOCKS TO PREVENT LOSS DURING SHIPPING



Item Number	Description
16	11.5"r x 47.5" Curve Panel
17	30"w x 47.5"h Flat Panel
18	47.5"h 90° Corner Connector
19	23"w x 47.5"h Lower Door
20	47.5"h 90° Corner Connector
21	23"w x 47.5"h Slatwall Panel
22	11.5"r x 47.5" Curve Panel
23	11.5"r x 47.5" Curve Panel
24	30"w x 47.5"h Flat Panel
25	30"w x 47.5"h Flat Panel
26	11.5"r x 47.5" Curve Panel
27	11.5"r x 47.5" Curve Panel

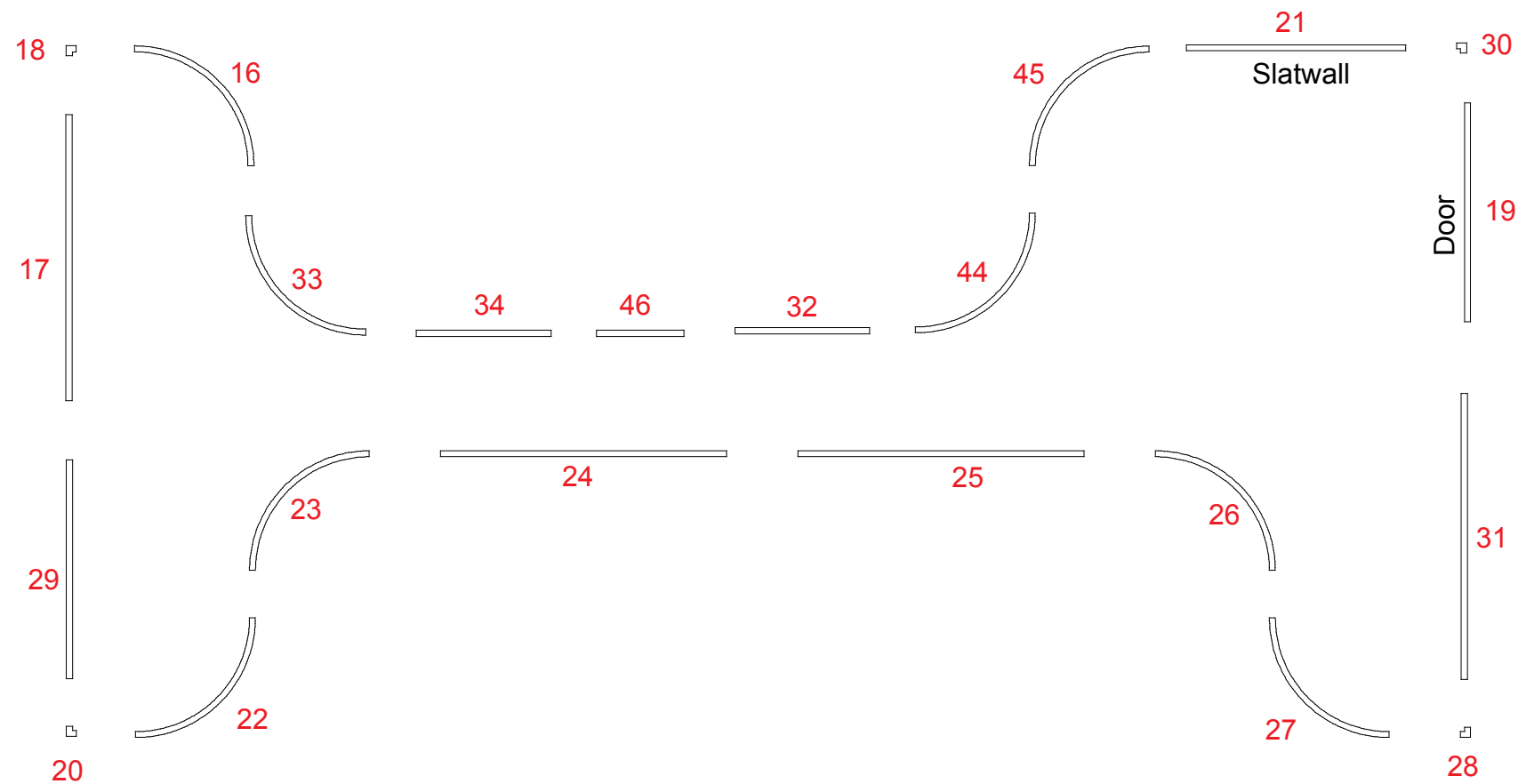
Item Number	Description
28	47.5"h 90° Corner Connector
29	23"w x 47.5"h Flat Panel
30	47.5"h 90° Corner Connector
31	30"w x 47.5"h Flat Panel
32	14.125"w x 47.5"h Flat Panel
33	11.5"r x 47.5" Curve Panel
34	14.125"r x 47.5" Curve Panel
44	11.5"r x 47.5" Curve Panel
45	11.5"r x 47.5" Curve Panel
46	8.76"w x 47.5"h Flat Panel

Steps:

1) Assemble by starting at panel #22* and continue counter-clockwise.

WHEN DISASSEMBLING ALUMINUM EXTRUSION, TIGHTEN ALL SETSCREWS AND LOCKS TO PREVENT LOSS DURING SHIPPING

866.652.2100

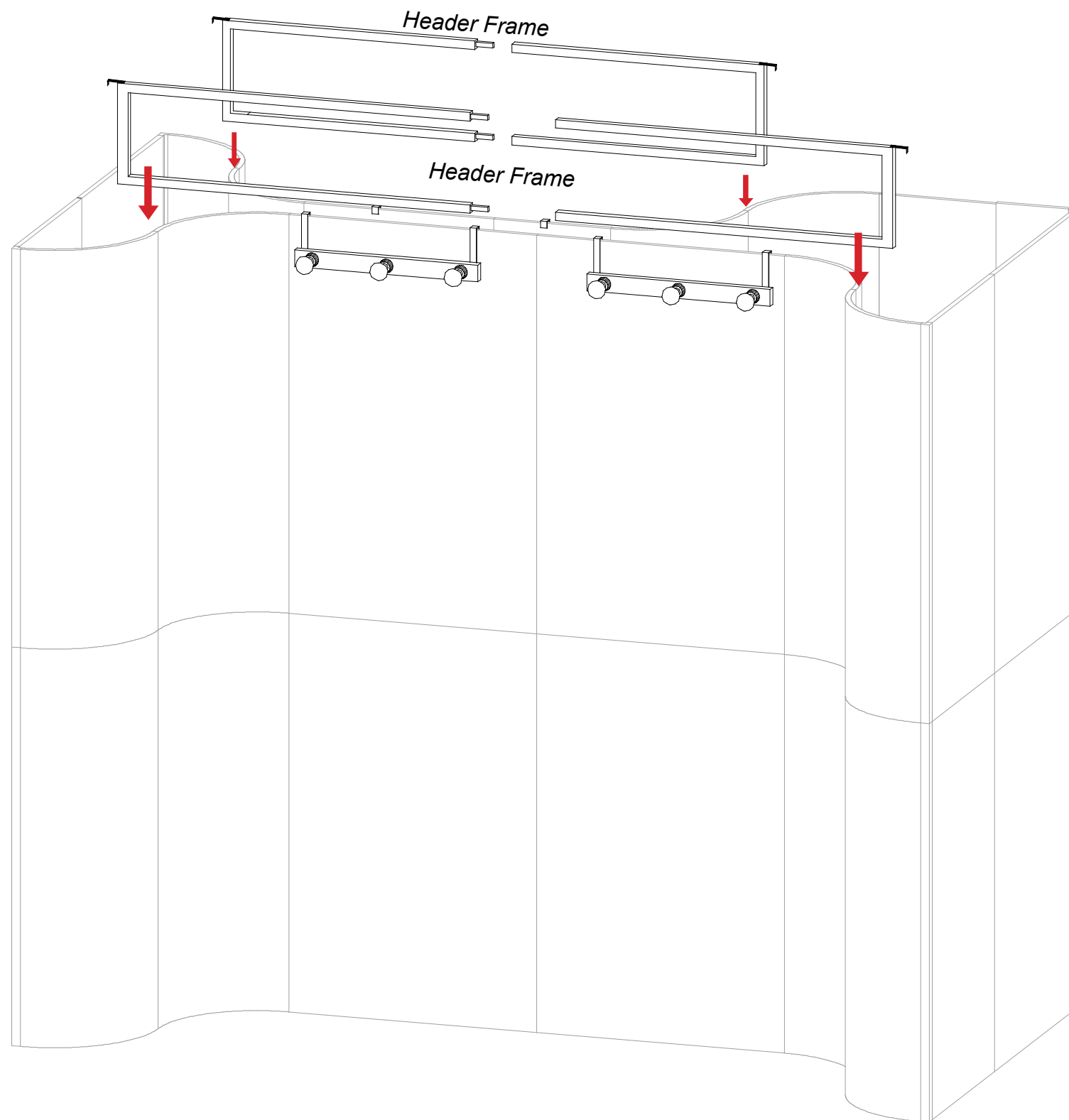


Item Number	Description	Item Number	Description
16	11.5"r x 47.5" Curve Panel	28	47.5"h 90° Corner Connector
17	30"w x 47.5"h Flat Panel	29	23"w x 47.5"h Flat Panel
18	47.5"h 90° Corner Connector	30	47.5"h 90° Corner Connector
19	23"w x 47.5"h Upper Door	31	30"w x 47.5"h Flat Panel
20	47.5"h 90° Corner Connector	32	14.125"w x 47.5"h Flat Panel
21	23"w x 47.5"h Slatwall Panel	33	11.5"r x 47.5" Curve Panel
22	11.5"r x 47.5" Curve Panel	34	14.125"r x 47.5" Curve Panel
23	11.5"r x 47.5" Curve Panel	44	11.5"r x 47.5" Curve Panel
24	30"w x 47.5"h Flat Panel	45	11.5"r x 47.5" Curve Panel
25	30"w x 47.5"h Flat Panel	46	8.76"w x 47.5"h Flat Panel
26	11.5"r x 47.5" Curve Panel		
27	11.5"r x 47.5" Curve Panel		

Steps:
 1) Assemble by starting at panel #22* and continue counter-clockwise.

WHEN DISASSEMBLING ALUMINUM EXTRUSION, TIGHTEN ALL SETSCREWS AND LOCKS TO PREVENT LOSS DURING SHIPPING

866.652.2100

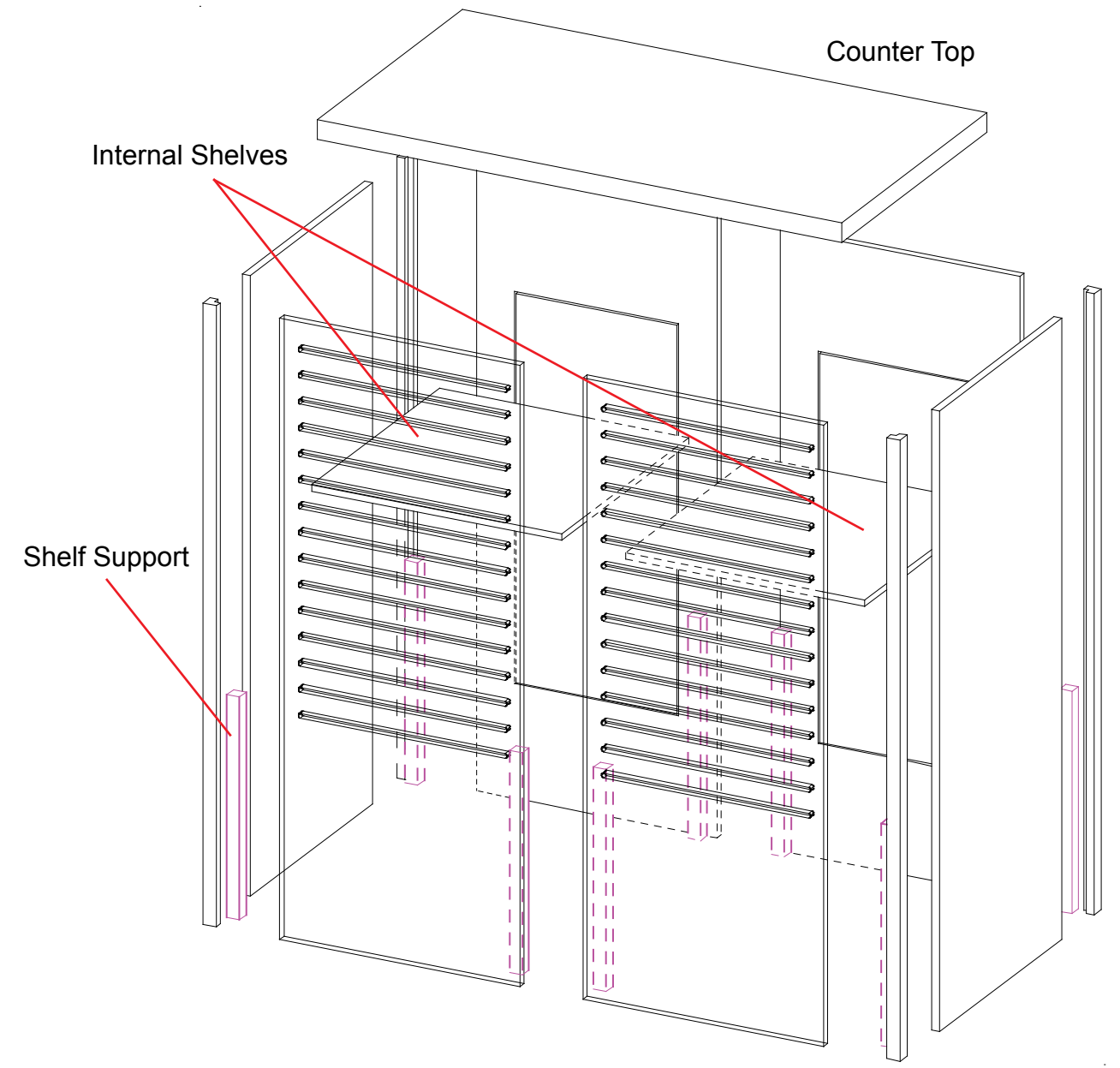
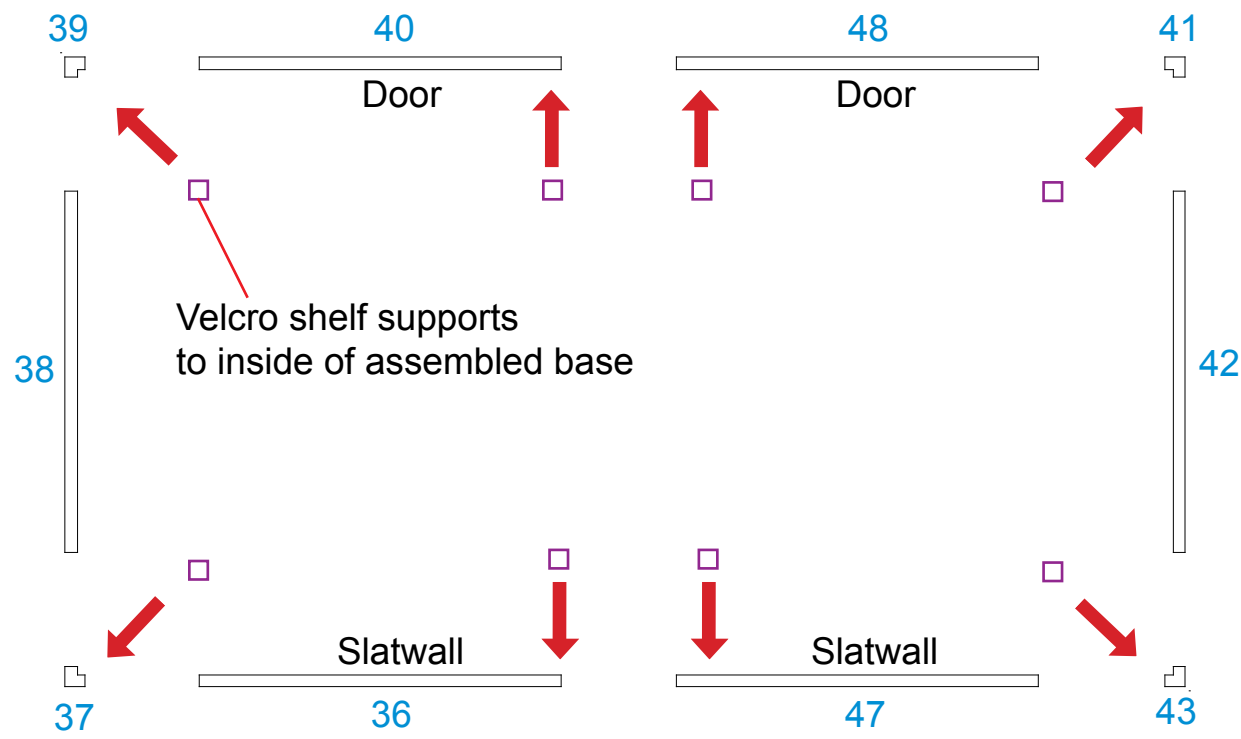
**Steps:**

- 1) Connect header pieces together and lock with thumbscrews.
- 2) Hook light bars to top of assembled backwall.
- 3) Hook both ends of assembled header frames to top of assembled backwall where indicated.

WHEN DISASSEMBLING ALUMINUM EXTRUSION, TIGHTEN ALL SETSCREWS AND LOCKS TO PREVENT LOSS DURING SHIPPING

Item Number	Description
36	19"w x 47.5"h Slatwall Panel
37	47.5"h 90° Corner Connector
38	19"w x 47.5"h Flat Panel
39	47.5"h 90° Corner Connector
40	19"w x 47.5"h Door Panel
41	47.5"h 90° Corner Connector
42	19"w x 47.5"h Flat Panel
43	47.5"h 90° Corner Connector
47	19"w x 47.5"h Slatwall Panel
48	19"w x 47.5"h Door Panel

Steps:
 1) Assemble by starting at panel #36* and continue in numerical order.



WHEN DISASSEMBLING ALUMINUM EXTRUSION, TIGHTEN ALL SETSCREWS AND LOCKS TO PREVENT LOSS DURING SHIPPING