

Perfect 10 Hybrid Displays

Part Number	Description
1	Left Leg Assembly
2	Right Leg Assembly
3	Hinged Horizontal
4	Hinged Horizontal

Step 1:

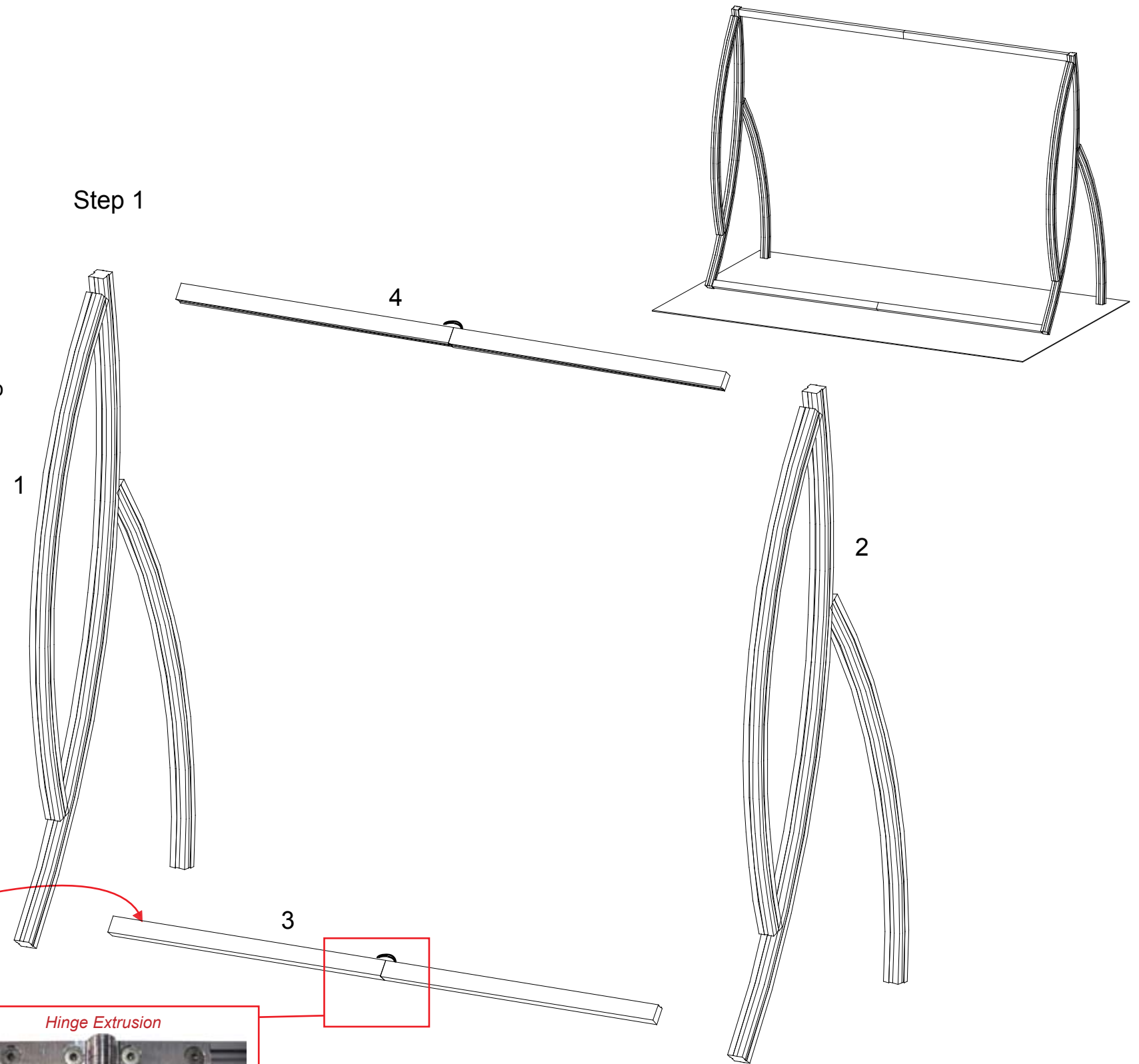
NOTE: Can be assembled either face down on floor then lifted upright or upright as shown in drawings.

- A) Connect vertical leg assemblies [1 and 2] together by connecting horizontal extrusion [3] between assemblies tightening BLACK knobs on backside of extrusion making sure Velcro faces toward BACK and placing it about one inch up from bottom and tightening.
- C) Connect upper horizontal extrusion [4] between verticals [1 and 2] placing it about one inch down from top.

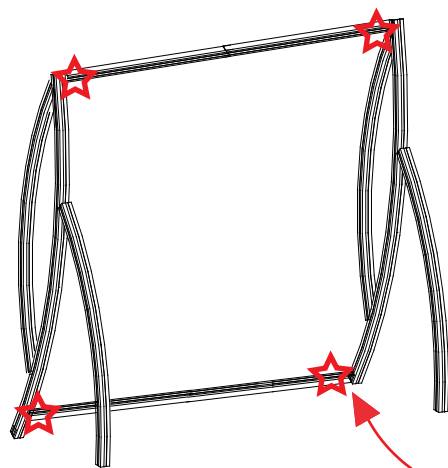
NOTE: Make sure the lock is flush with extrusion before tightening. If lock will not fully engage, gently rock lock and extrusion while turning knob until lock fully opens.



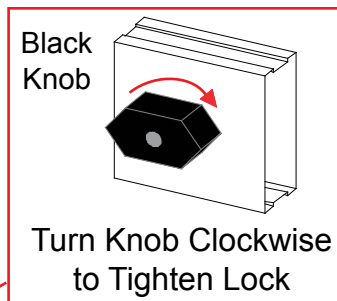
Step 1



Rear View of Display



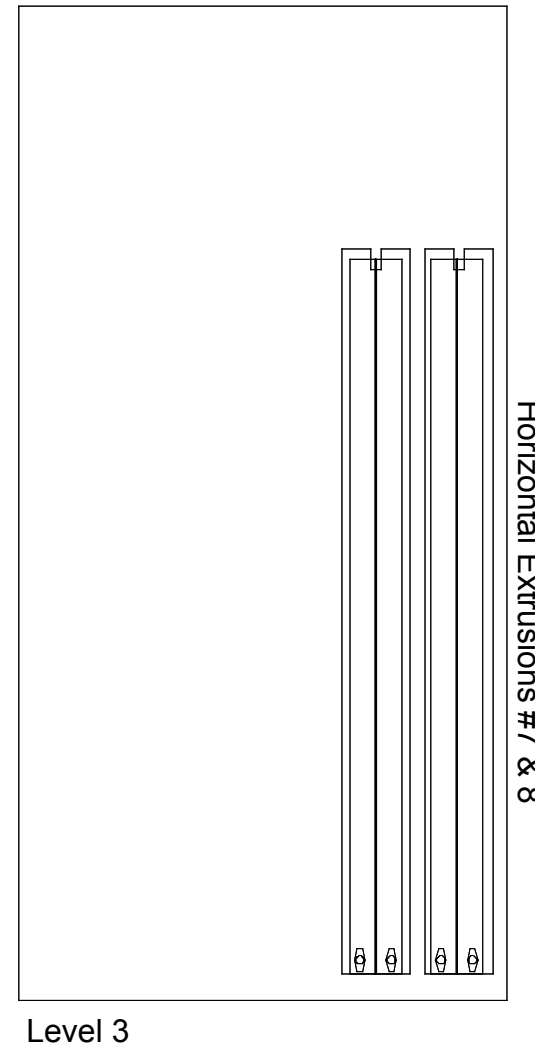
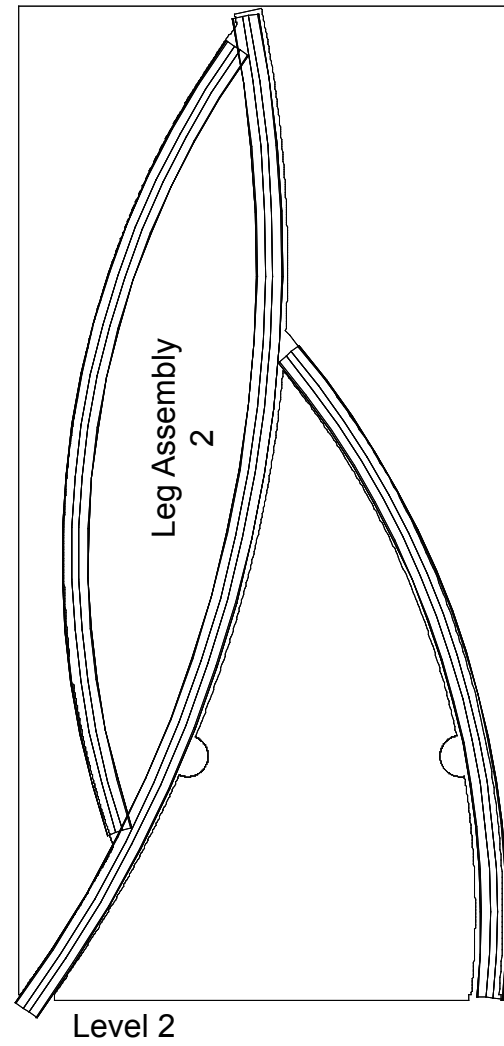
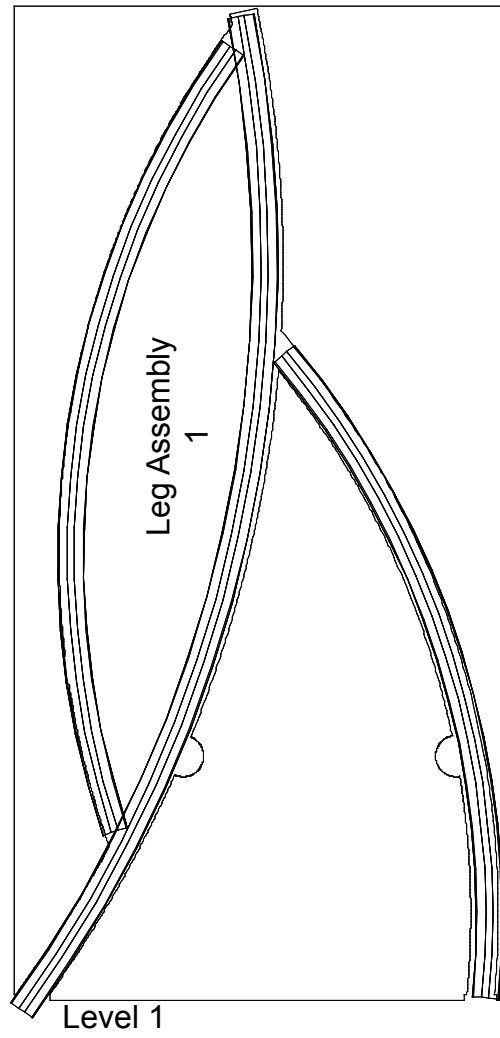
STAR indicates location of knobs on BACKSIDE of unit.



WHEN DISASSEMBLING TIGHTEN ALL KNOBS TO PREVENT LOSS DURING SHIPPING

Case #1 - Table Top Components

Top View of each Level



Additional Items:
- Setup Hardware
- Graphic

WHEN DISASSEMBLING TIGHTEN ALL KNOBS TO PREVENT LOSS DURING SHIPPING