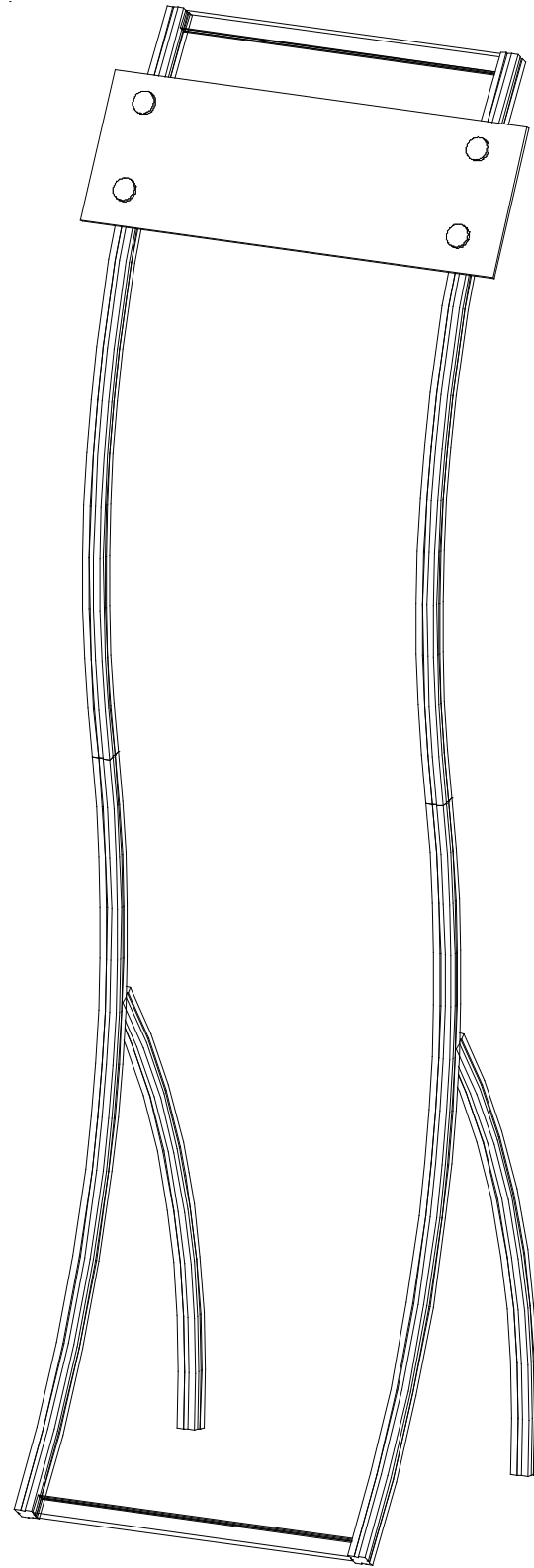


Perfect 10 Hybrid Displays



WHEN DISASSEMBLING TIGHTEN ALL KNOBS TO PREVENT LOSS DURING SHIPPING

866.652.2100

Part Number	Description
10	Left Leg Assembly w/ A10 Clamps Attached
11	Right Leg Assembly w/ A10 Clamps Attached
12A	Upper Curved Vertical w/ A10 Clamps Attached
12	Upper Curved Vertical
13	23" w Horizontal



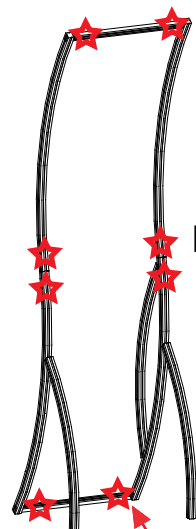
Step 1:

NOTE: Can be assembled either face down on floor then lifted upright or upright as shown in drawings.

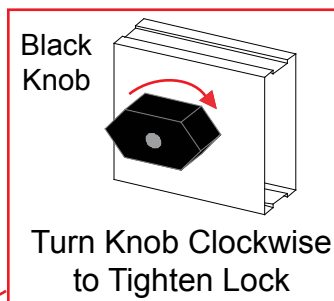
- A) Connect vertical leg assemblies [10 and 11] together by connecting horizontal extrusion [13] between assemblies tightening BLACK knobs on backside of extrusion making sure Velcro faces toward BACK and placing it about one inch up from bottom and tightening.
- B) Connect vertical extrusions [12 and 12A] to leg assemblies [10 and 11] using vertical connection bar as shown.
- C) Connect upper horizontal extrusion [13] between verticals [12 and 12A] placing it about one inch down from top.

NOTE: Make sure the lock is flush with extrusion before tightening. If lock will not fully engage, gently rock lock and extrusion back and forth while turning knob until lock fully opens.

Rear View of Display



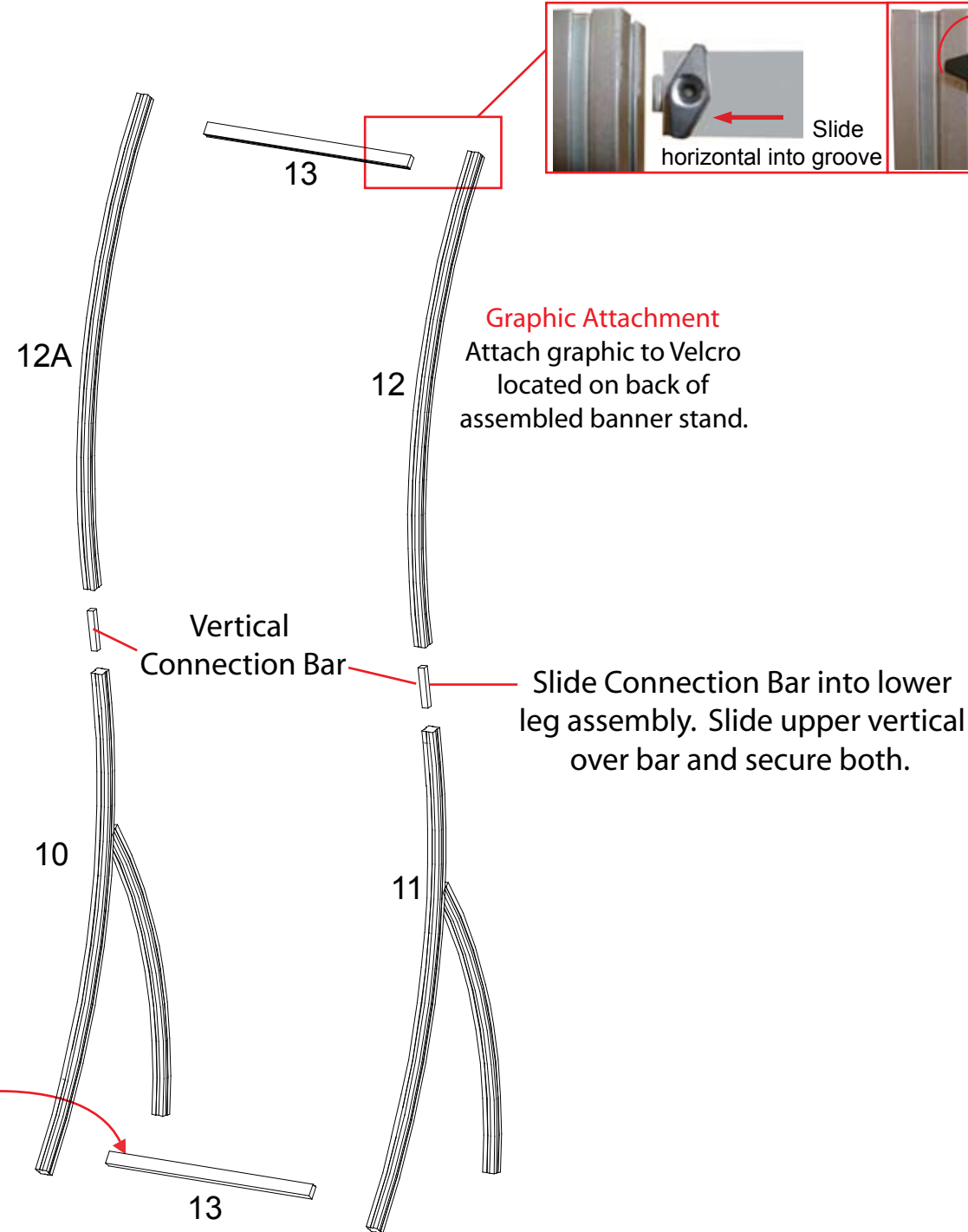
STAR indicates location of knobs on BACKSIDE of unit.



Black Knob

Turn Knob Clockwise to Tighten Lock

Step 1



NOTE: When assembling horizontals they should be placed approximately one inch from TOP and BOTTOM.



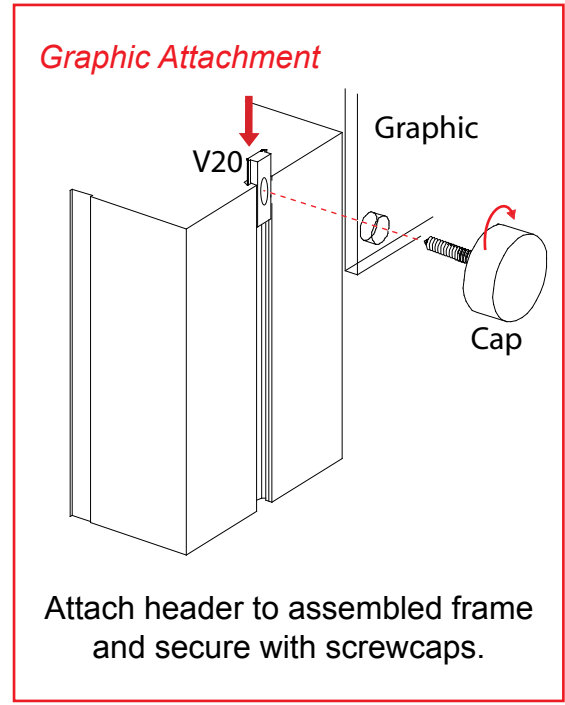
Graphic Attachment
Attach graphic to Velcro located on back of assembled banner stand.

Slide Connection Bar into lower leg assembly. Slide upper vertical over bar and secure both.

WHEN DISASSEMBLING TIGHTEN ALL KNOBS TO PREVENT LOSS DURING SHIPPING

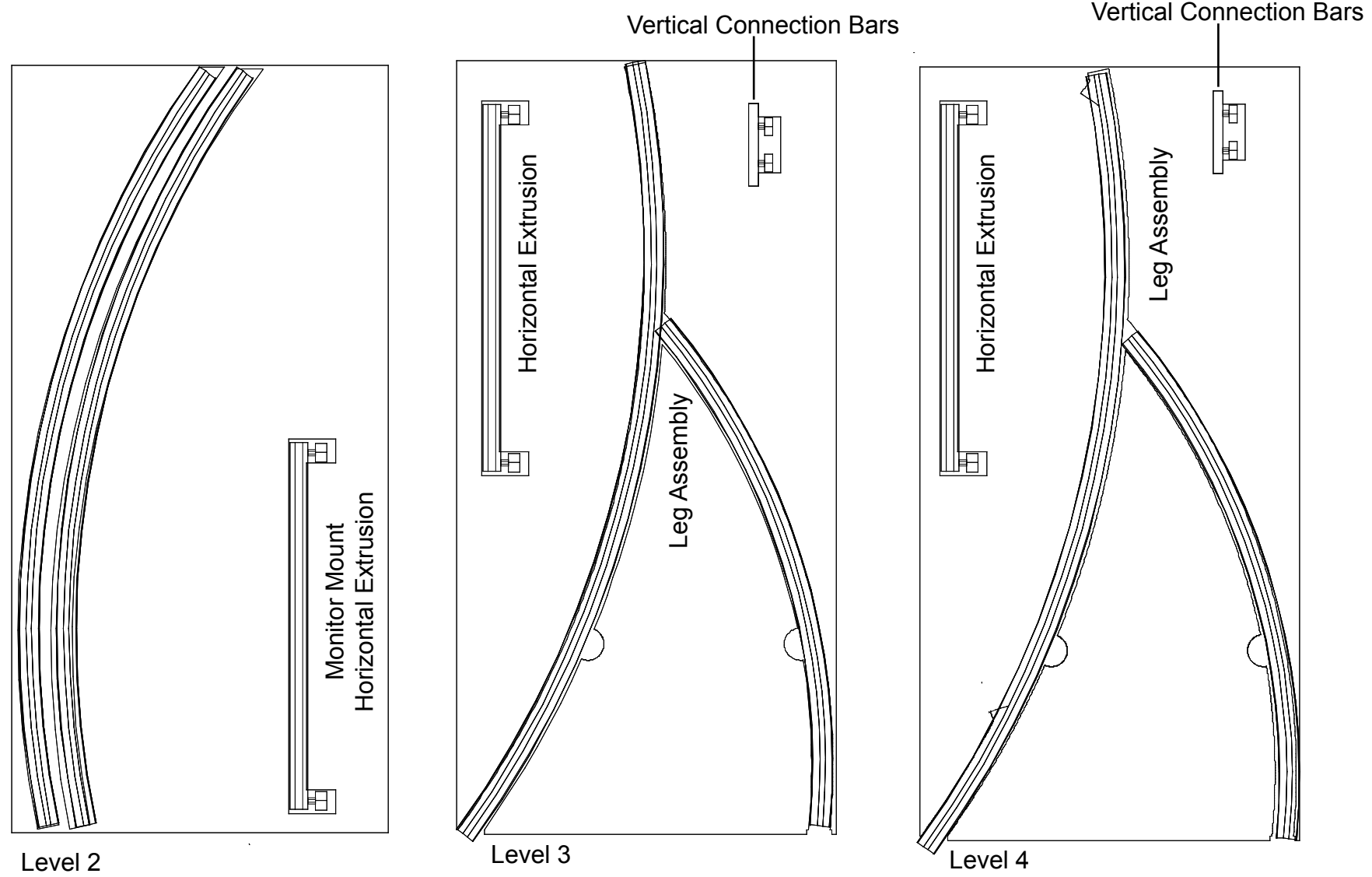
866.652.2100

Attach Header to Banner Station using standoff caps as shown.



WHEN DISASSEMBLING TIGHTEN ALL KNOBS TO PREVENT LOSS DURING SHIPPING

Top View of each Level



WHEN DISASSEMBLING TIGHTEN ALL KNOBS TO PREVENT LOSS DURING SHIPPING