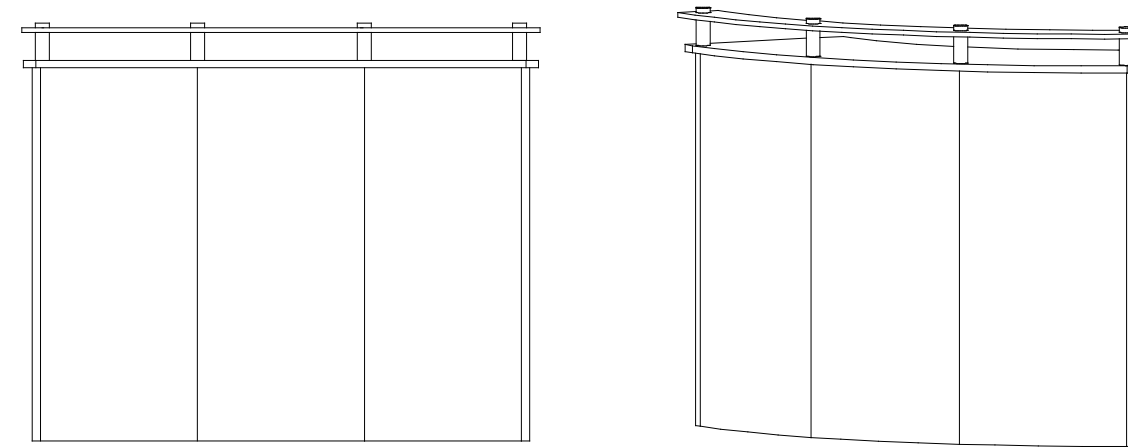
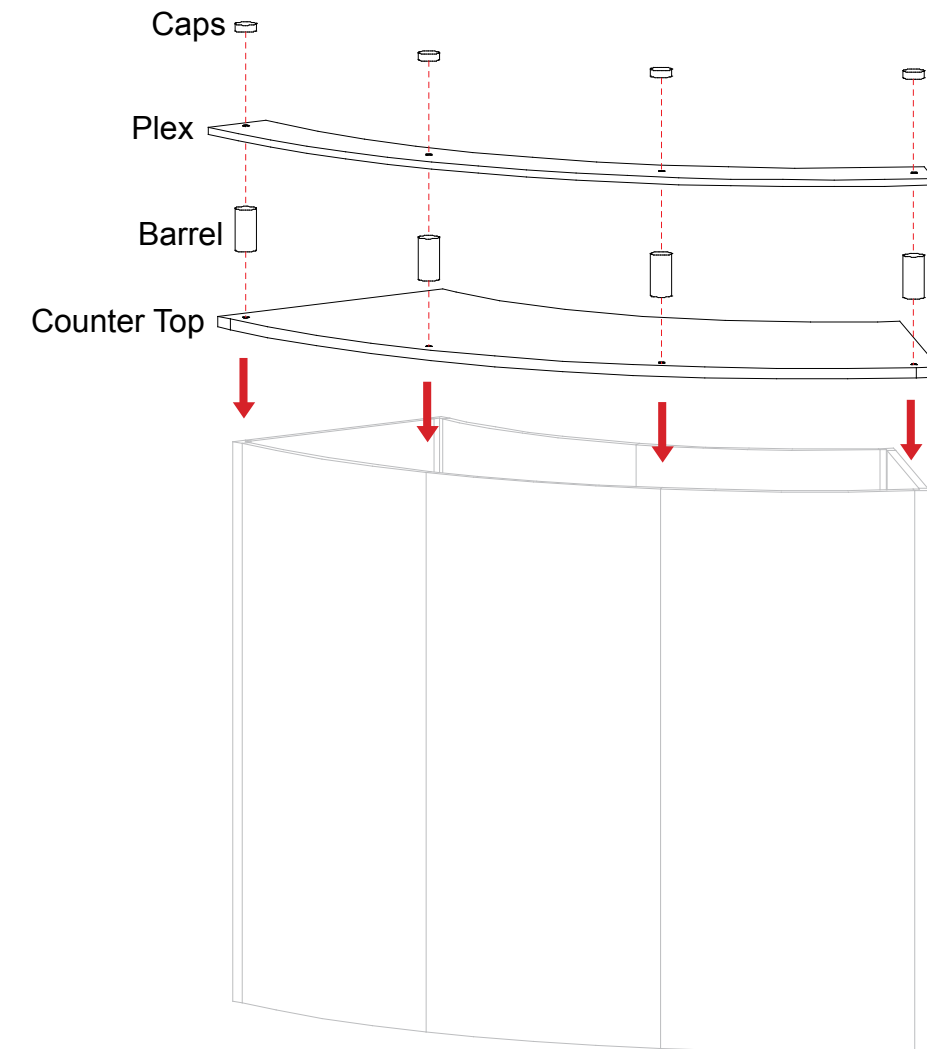
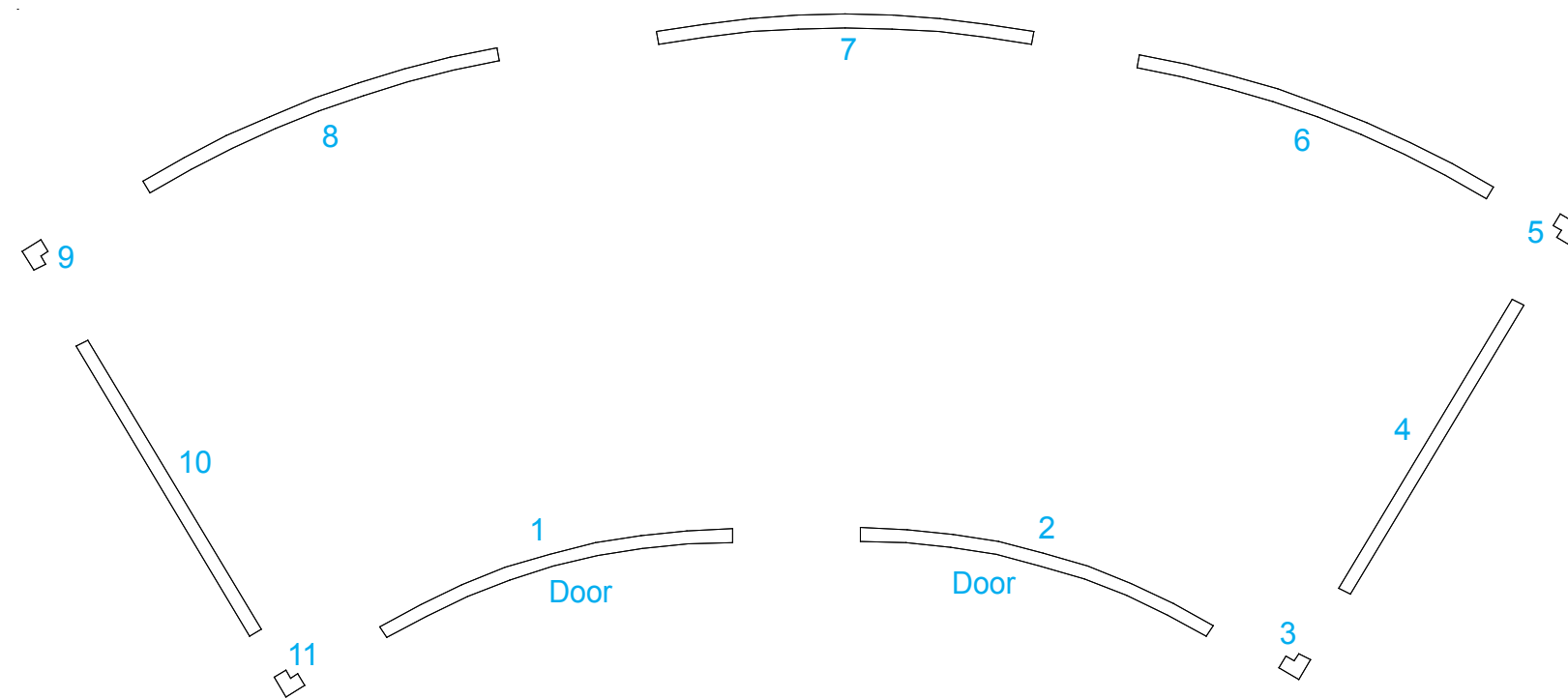


Item	Description
1	32.504"R x 40"h Curved Panel with Door
2	32.504"R x 40"h Curved Panel with Door
3	40"h 90° Connector
4	16"w x 40"h Flat Panel
5	40"h 90° Connector
6	50"R x 40"h Curved Panel
7	50"R x 40"h Curved Panel
8	50"R x 40"h Curved Panel
9	40"h 90° Connector
10	16"w x 40"h Flat Panel
11	40"h 90° Connector



Steps:

- 1) Assemble all panels together in order shown.
- 2) Place Counter Top atop assembled panels, attach stand off barrels to Counter, place small plex pieces atop barrels and tighten in place with Caps.



General Setup Instructions

Using Your Setup Instructions

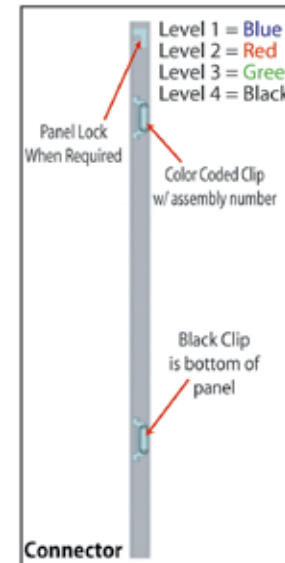
The Setup Instructions are created specifically for your configuration. They are laid out sequentially in levels, including exploded views, and a logical series of detailed steps to assemble the main structure and components. We encourage you to study the instructions **before** attempting to assemble your exhibit.

Each page reminds you to tighten the setscrews after disassembling your exhibit to prevent loss of the locks and setscrews (see below in RED). This is VERY IMPORTANT.

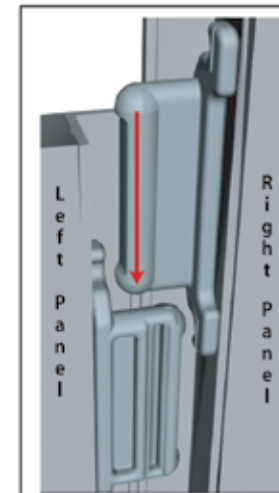
Cleaning and Packing Your Display

- 1) Use care when cleaning aluminum extrusion or Eco Glass inserts. Use only non-abrasive cleaners.
- 2) When cleaning laminate inserts, countertops, or panels use mild cleansers and a soft material such as cotton.
- 3) Keep all display components away from extreme heat and long exposure to sunlight to avoid warping and fading.
- 4) Retain all packing material. It will make re-packing much easier and will reduce the likelihood of shipping damage. Each Layer will be labeled with the packing order.

General Setup Instructions for Panel System

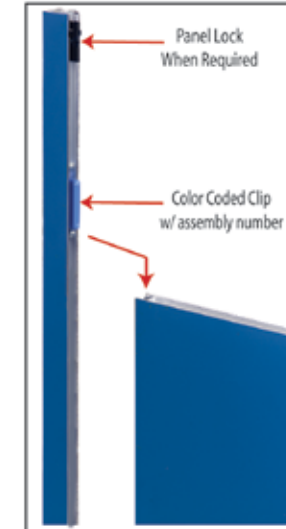


Each component has 2 clips, the lower clip is ALWAYS black. The top clip is color coded to distinguish the level. The color coded clip also contains the numbered label.



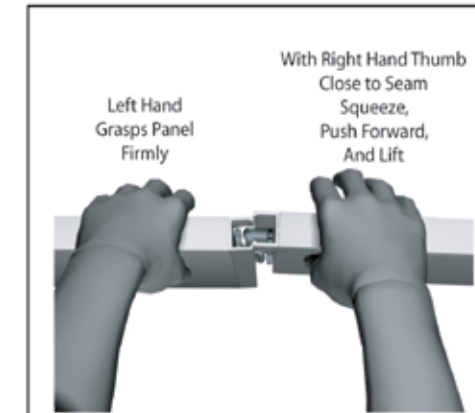
Cut Away View Of Slide Clips

Components connect together by aligning them and sliding downward connecting clips together.



Example of Connection

Configurations are assembled from left to right, usually starting with #1 and following the numbered sequence.



Top View of Panels with Locks

The first level of components contains panel locks that are located at the top of the panel for extra stability and a seamless connection. When disassembling panels, twist top connection slightly and lift right panel upward.

General Setup Instructions for Extrusion System



The Tool

Most exhibits can be assembled with the supplied Hex Key Tool. Occasionally, other tools may be needed.

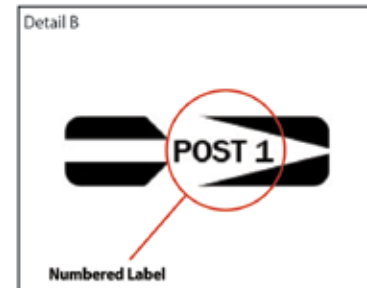


Typical Connection

Most horizontal extrusion connections have a patented expandable lock. This lock inserts into the groove of an opposing extrusion. Tightening the lock with the Hex Key Tool expands the lock and creates a strong positive connection.

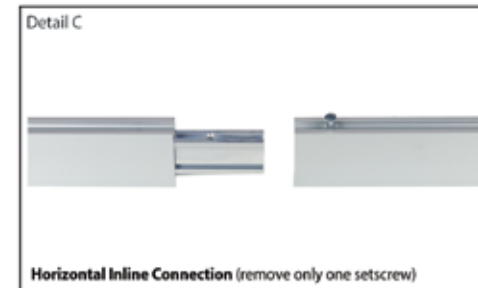


Typical Connection (cont'd)



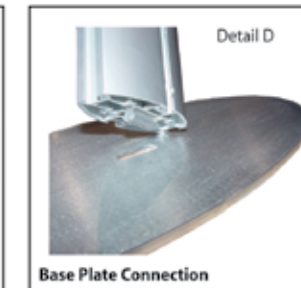
Numbered Label

Each extrusion contains a numbered label which corresponds with setup instructions. The label is located within a groove of the extrusion (when possible). With extrusion components the labels contain Black numbers unless otherwise specified.



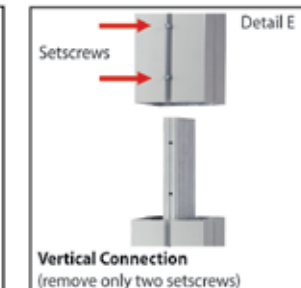
Horizontal Inline Connection (remove only one setscrew)

Remove only (1) setscrew when disassembling. Replace setscrew in extrusion after assembling it. Before packing, replace setscrew in extrusion to avoid losing it.



Base Plate Connection

Attach base plate to vertical extrusion using the lock provided. Place base plate on ground and set vertical post/lock in base plate slot. Tighten lock with Multitool.



Vertical Connection (remove only two setscrews)

When vertical extrusions are packed in portable cases rather than crates or tubs, they must be broken down into smaller sections which then require assembly.

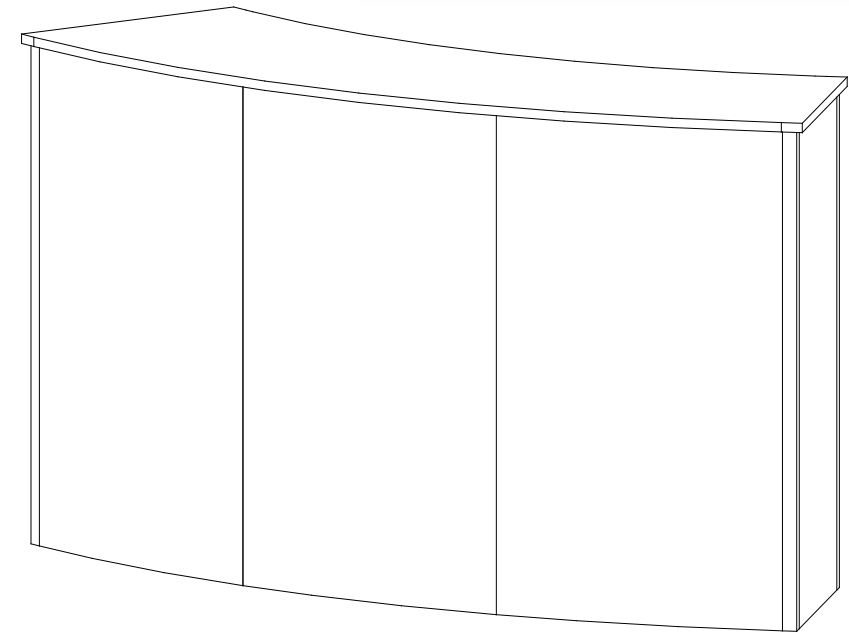
Remove only (2) setscrews when disassembling. Replace setscrews in extrusion after assembling it. Before packing, replace setscrews in extrusion to avoid losing them.

EURO LT Panel System

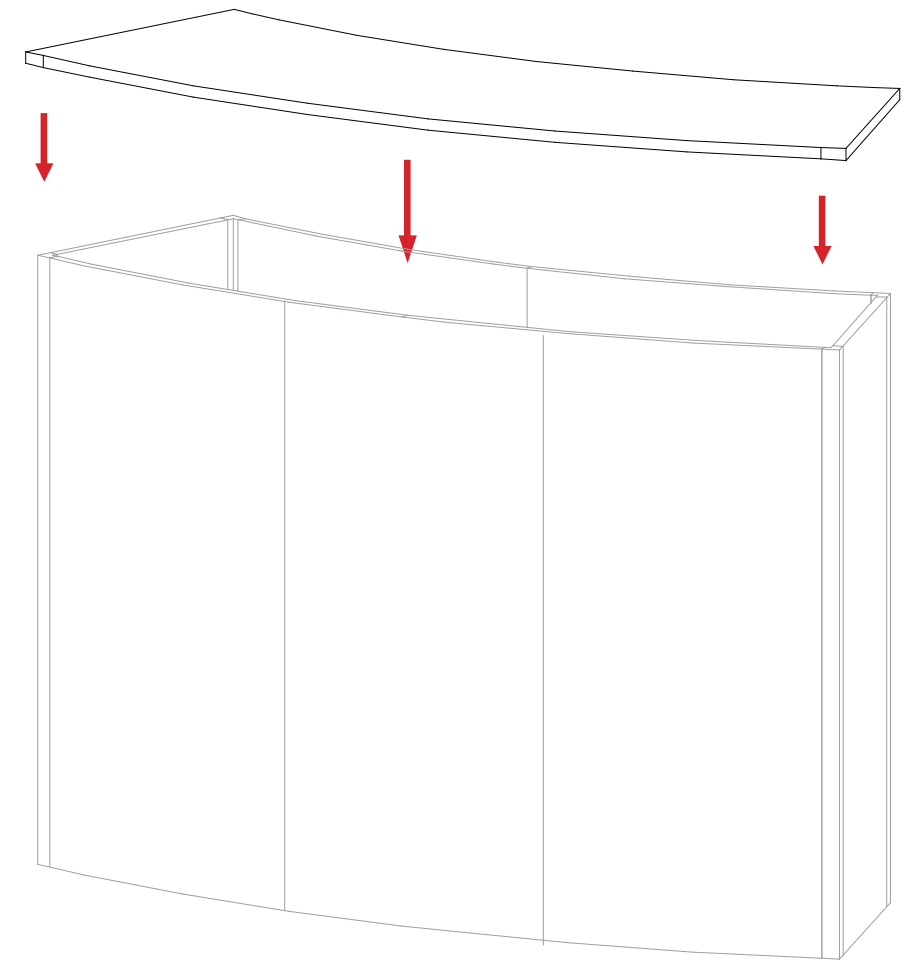
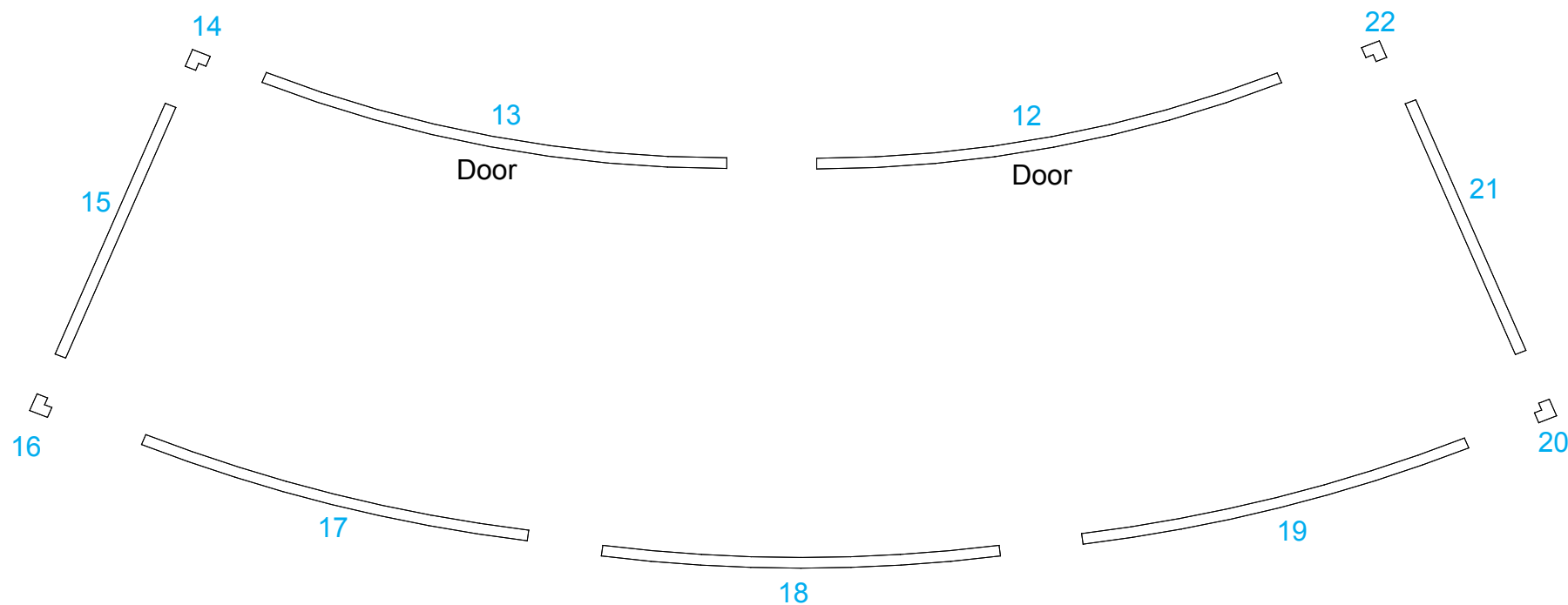
Item	Description
12	67.584"r x 40"h Curved Panel with Door
13	67.584"r x 40"h Curved Panel with Door
14	40"h 90° Connector
15	16"w x 40"h Flat Panel
16	40"h 90° Connector
17	85"r x 40"h Curved Panel
18	85"r x 40"h Curved Panel
19	85"r x 40"h Curved Panel
20	40"h 90° Connector
21	16"w x 40"h Flat Panel
22	40"h 90° Connector

Steps (Cont'd):

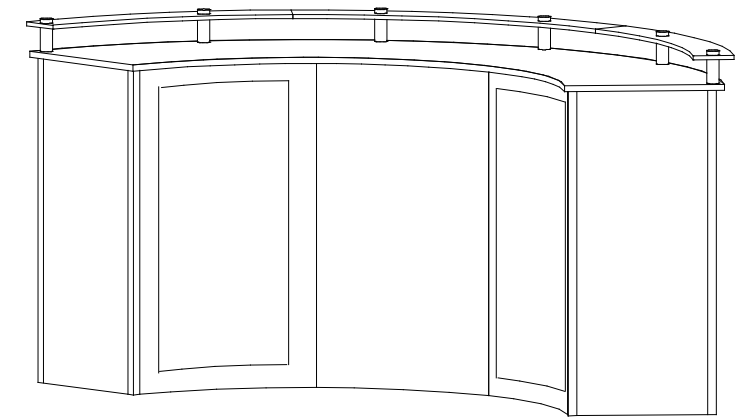
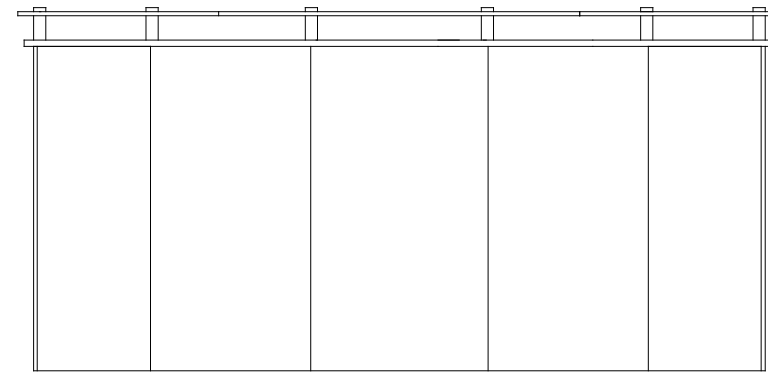
1) Assemble panels in numerical order as shown.



Place counter atop assembled base.

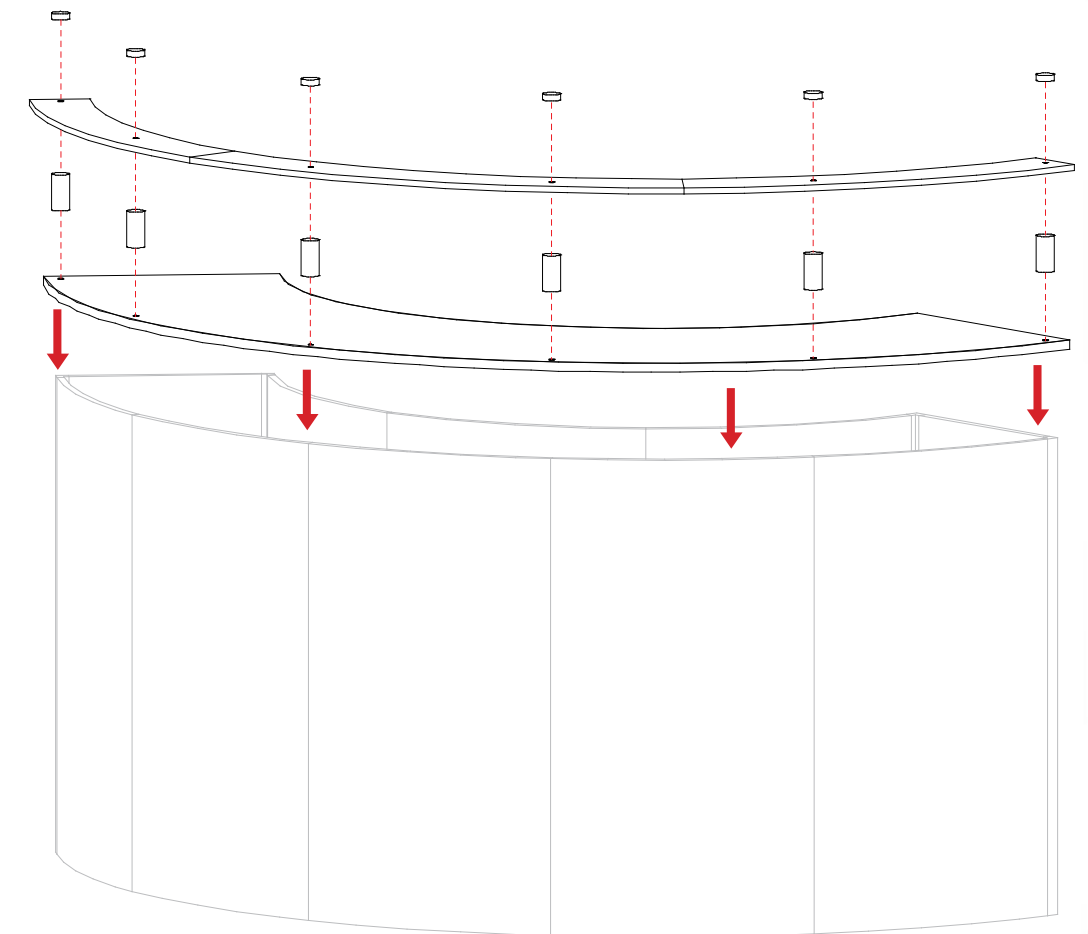
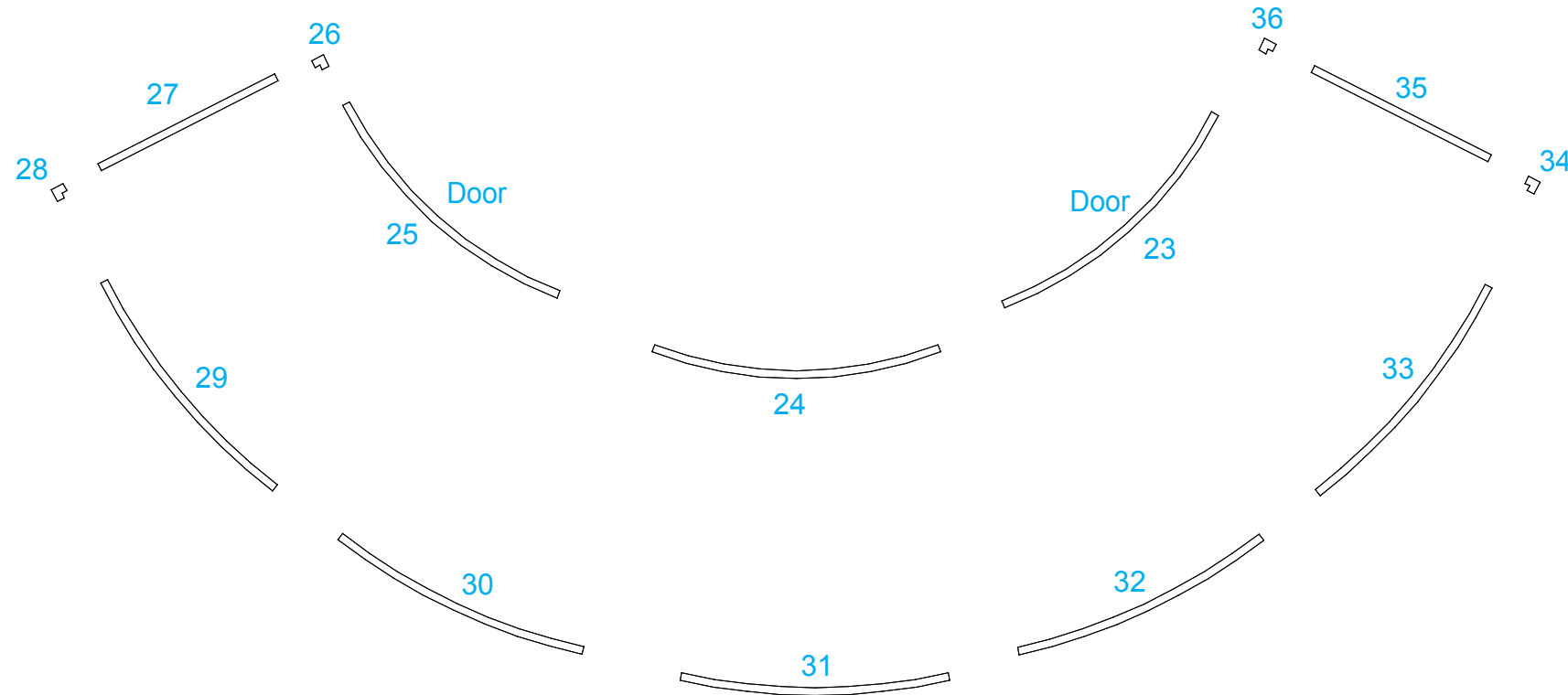


Item	Description
23	32.504”R x 40”h Curved Panel with Door
24	32.504”R x 40”h Curved Panel
25	32.504”R x 40”h Curved Panel with Door
26	40”h 90° Connector
27	16”w x 40”h Flat Panel
28	40”h 90° Connector
29	50”R x 40”h Curved Panel
30	50”R x 40”h Curved Panel
31	50”R x 40”h Curved Panel
32	50”R x 40”h Curved Panel
33	50”R x 40”h Curved Panel
34	40”h 90° Connector
35	16”w x 40”h Flat Panel
36	40”h 90° Connector



Steps:

- 1) Assemble all panels together in order shown.
- 2) Place Counter Top atop assembled panels, attach stand off barrels to Counter, place small plex pieces atop barrels and tighten in place with Caps.

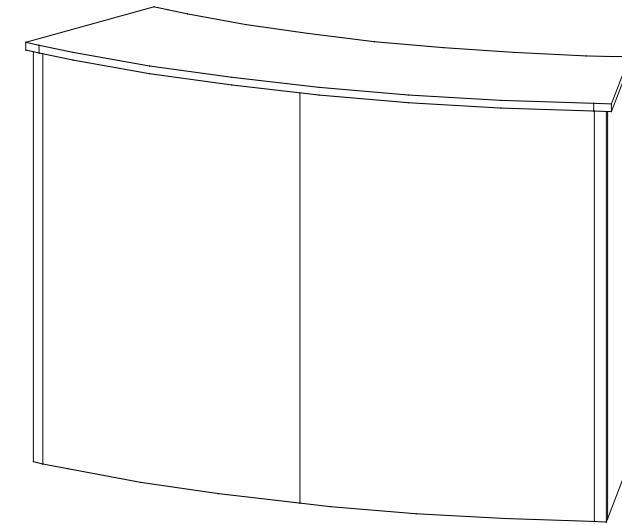
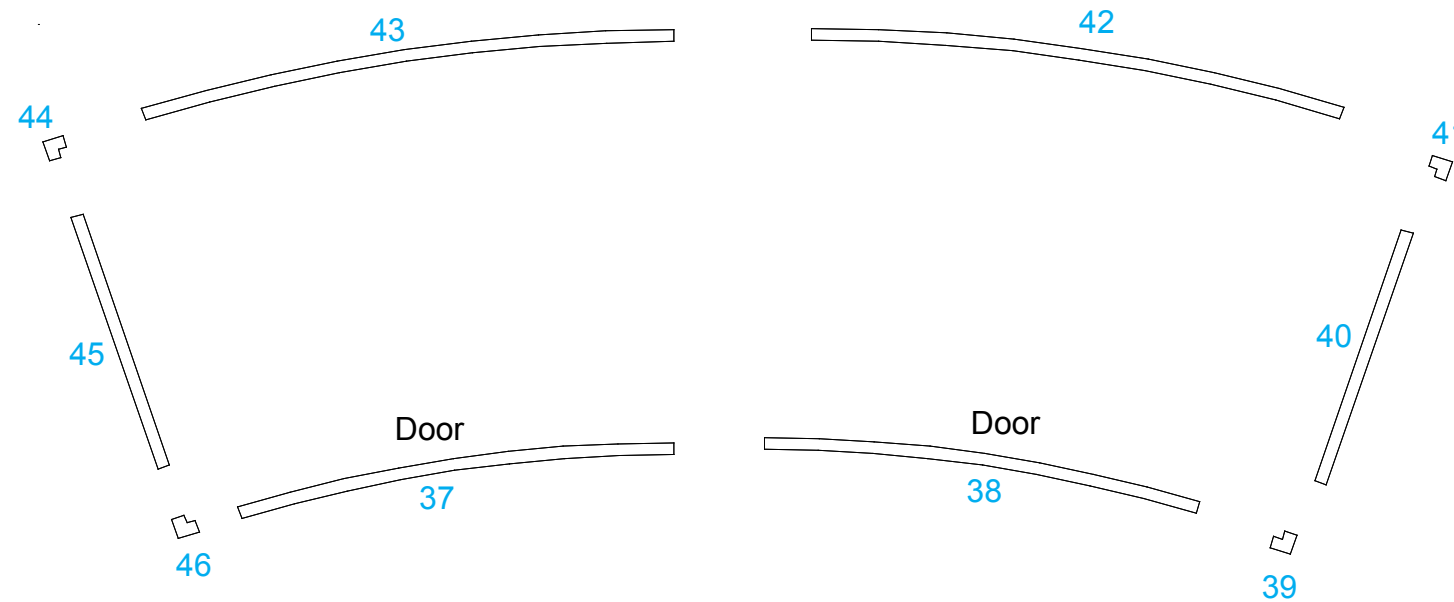


EURO LT Panel System

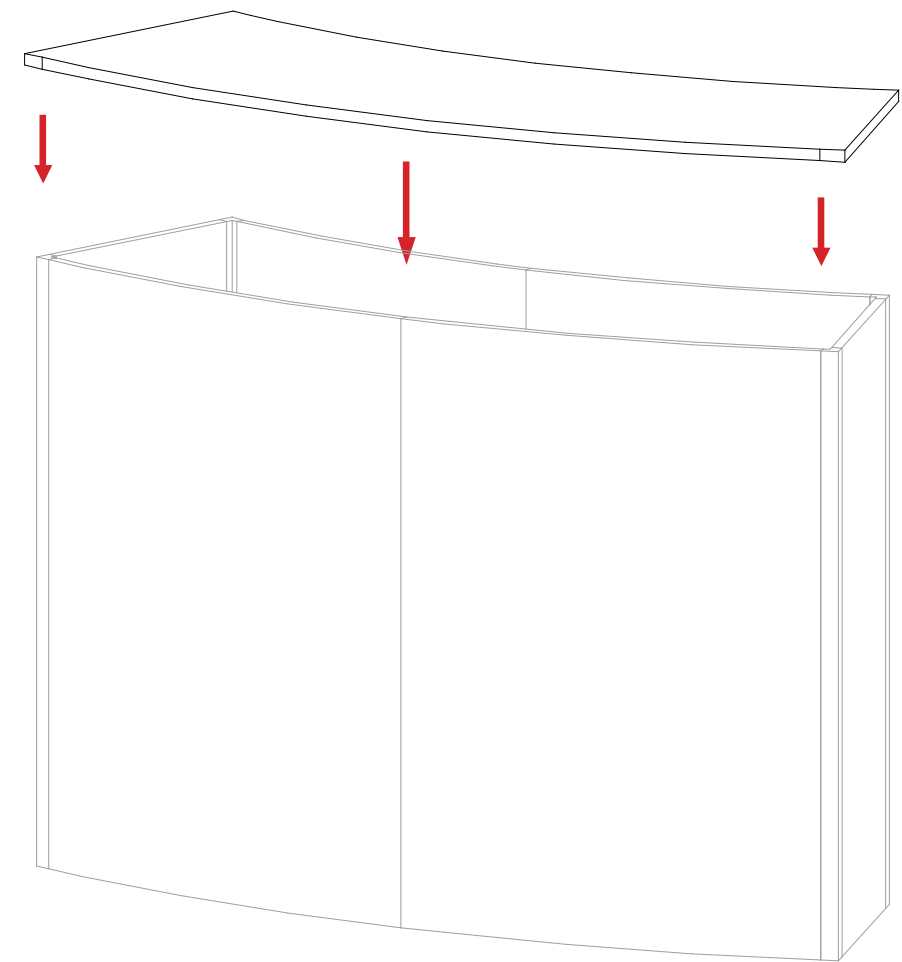
Item	Description
37	70"r x 40"h Curved Panel with Door
38	70"r x 40"h Curved Panel with Door
39	40"h 90° Connector
40	14"w x 40"h Flat Panel
41	40"h 90° Connector
42	85.196"r x 40"h Curved Panel
43	85.196"r x 40"h Curved Panel
44	40"h 90° Connector
45	14"w x 40"h Flat Panel
46	40"h 90° Connector

Steps (Cont'd):

1) Assemble panels in numerical order as shown.



Place counter atop assembled base.

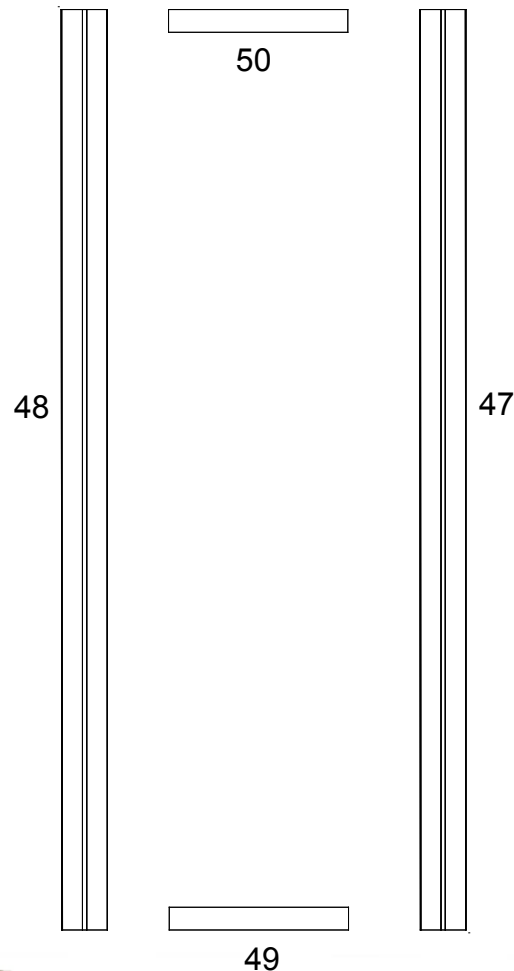


Modul Extrusion System

Item	QTY	Description
48	1	72”h Square Vertical
47	1	72”h Square Vertical
49	1	14”w Horizontal Extrusion
50	2	14”w Horizontal Extrusion
51	6	4” Round Feet

Steps:

1) Connect horizontal pieces [49 and 50] between verticals [48 and 47].

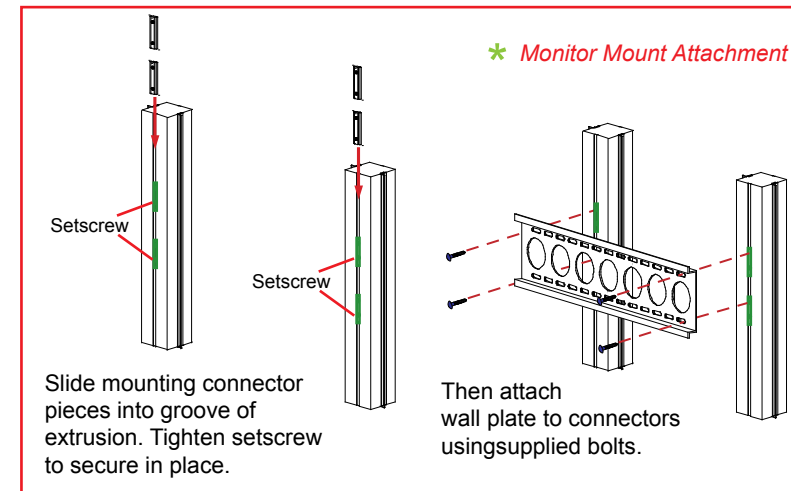
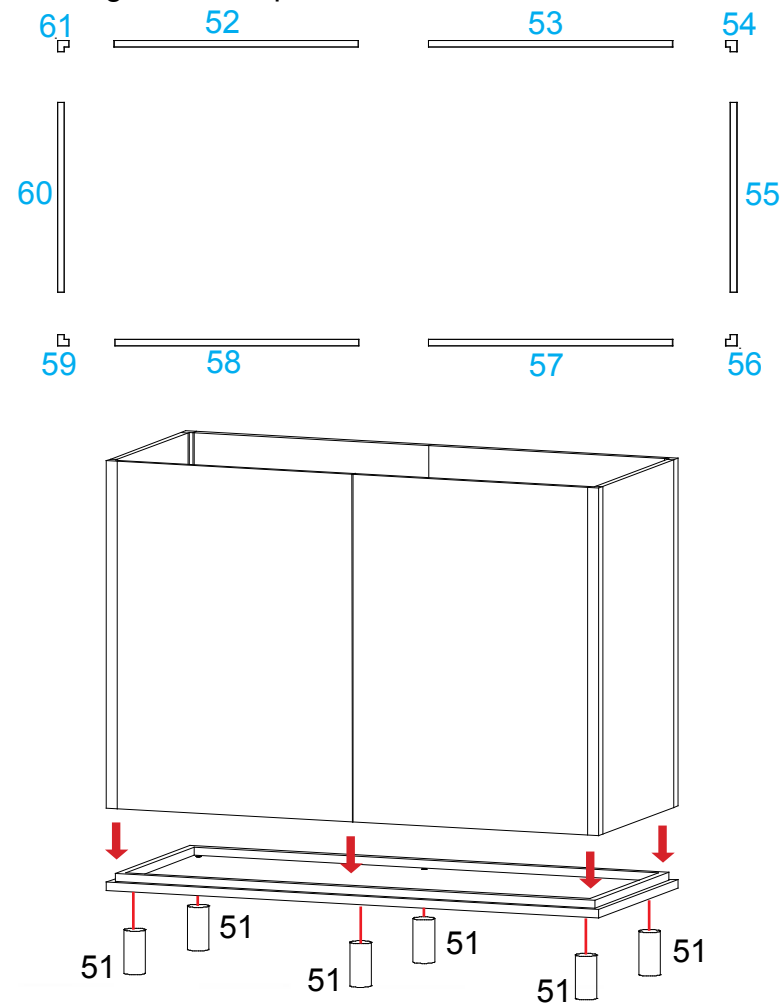


EURO LT Panel System

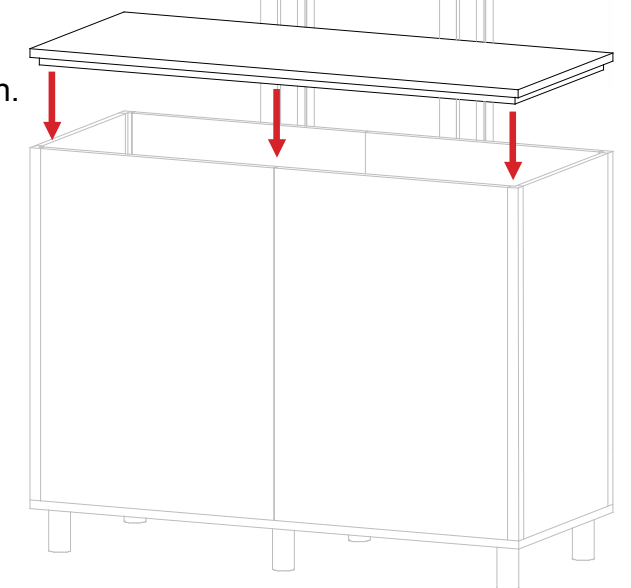
Item	Description
52	22.937”w x 32”h Panel
53	22.937”w x 32”h Panel
54	32”h 90° Connector
55	17.87”w x 32”h Flat Panel
56	32”h 90° Connector
57	22.937”w x 32”h Panel
58	22.937”w x 32”h Panel
59	32”h 90° Connector
60	17.87”w x 32”h Flat Panel
61	32”h 90° Connector

Steps (Cont'd):

- 2) Assemble counter base by attaching round feet [51] to floor and tighten in place.
- 3) Assemble panels in numerical order atop base.
- 4) Connect assembled base to assembled Extrusion using hardware provided.

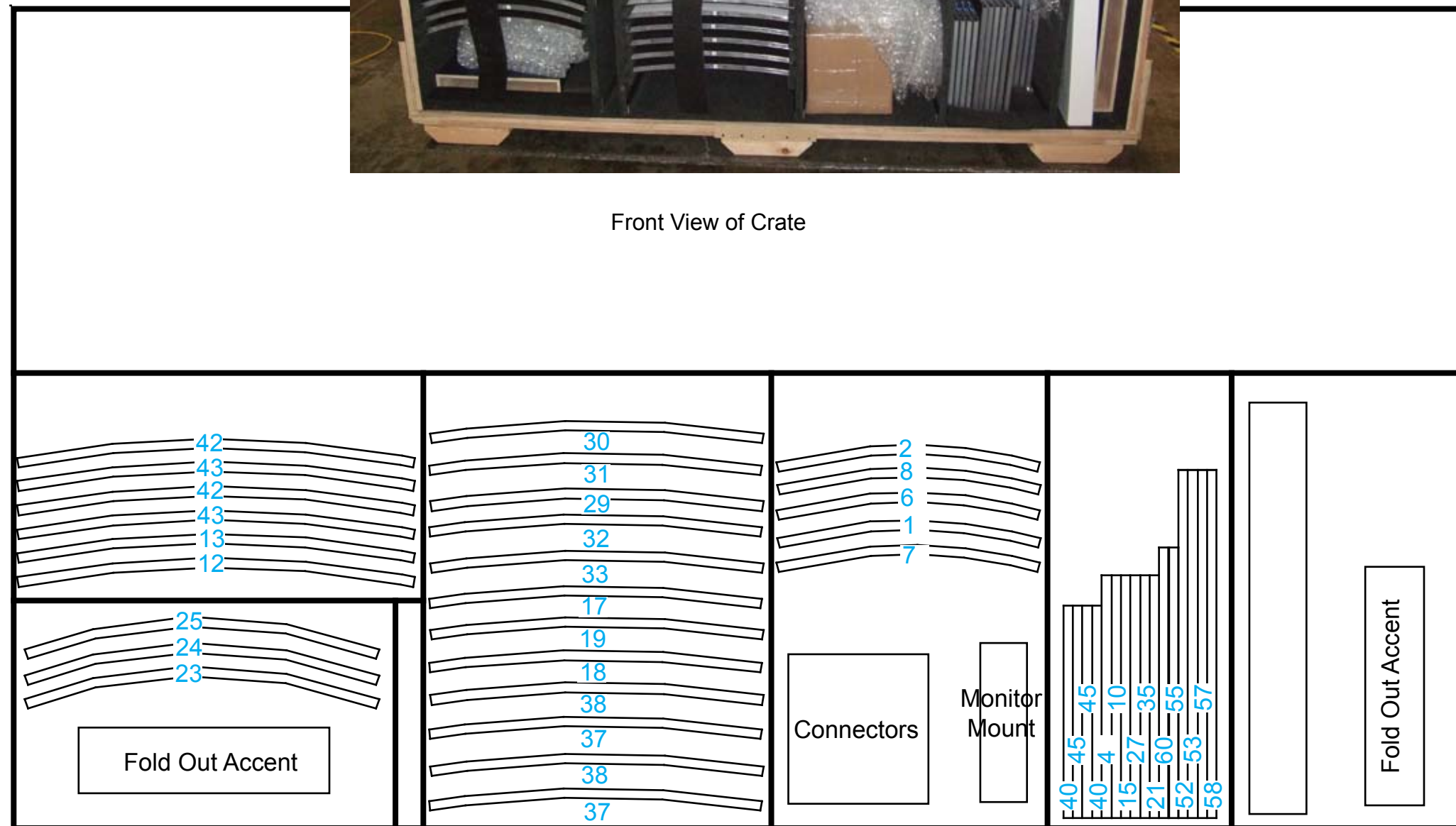


Place counter atop assembled workstation. Attach Monitor Mount per detail above.





Front View of Crate



Top View of Crate

