

# Perfect 10 Hybrid Displays

Part Number	Description
1	Left Leg Assembly
2	Right Leg Assembly
3	64" Hinged Horizontal
4	64" Hinged Horizontal

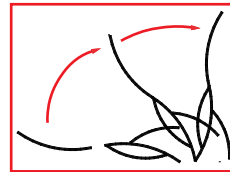
## Version w/ 64" Horizontals (Standard Setup)

**Step 1:**

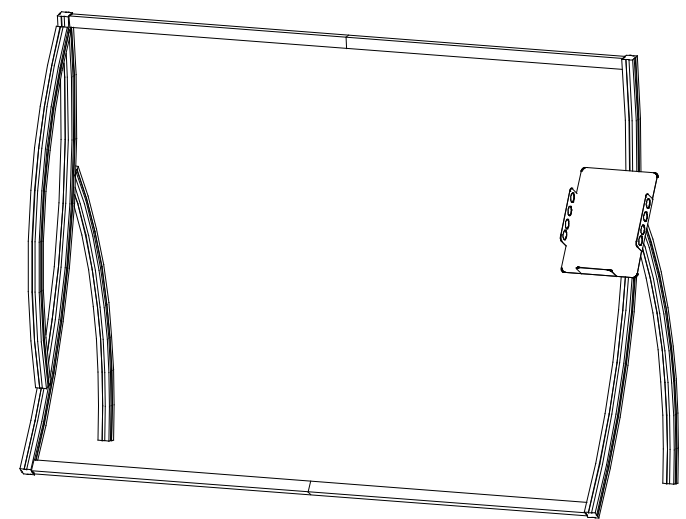
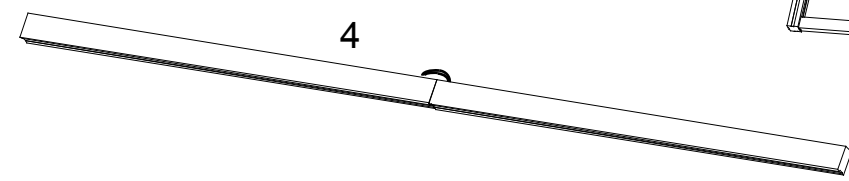
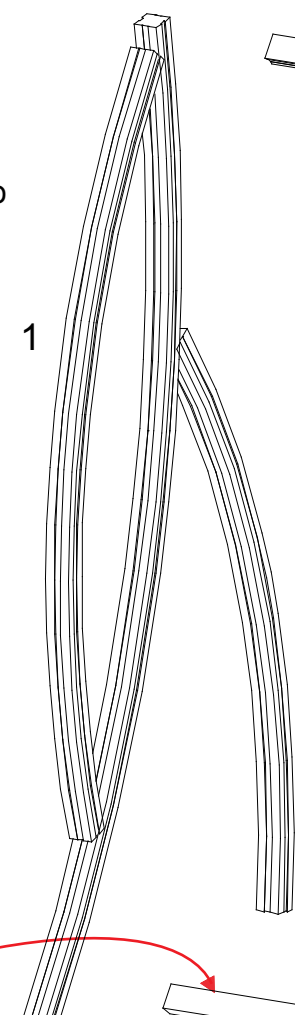
NOTE: Can be assembled either face down on floor then lifted upright or upright as shown in drawings.

- A) Connect vertical leg assemblies [1 and 2] together by connecting horizontal extrusion [3] between assemblies tightening BLACK knobs on backside of extrusion making sure Velcro faces toward BACK and placing it about one inch up from bottom and tightening.
- C) Connect upper horizontal extrusion [4] between verticals [1 and 2] placing it about one inch down from top.

**NOTE: Make sure the lock is flush with extrusion before tightening. If lock will not fully engage, gently rock lock and extrusion while turning knob until lock fully opens.**



**Step 1**

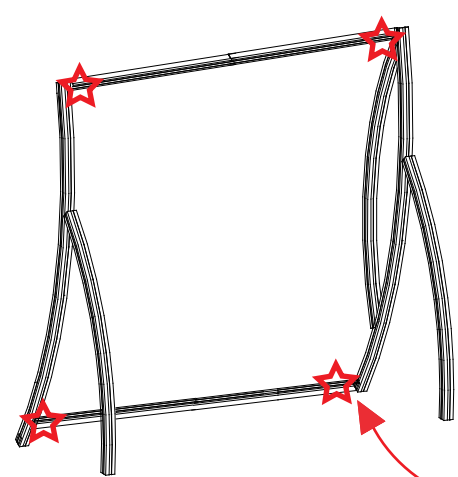


**\* Literature Rack Attachment**

Tighten Lock to Secure

Attach connector piece to rack as shown. Then connect assembled literature rack to vertical extrusion.

**Rear View of Display**



**STAR** indicates location of knobs on **BACKSIDE** of unit.

**Black Knob**

Turn Knob Clockwise to Tighten Lock

**Hinge Extrusion**

Top Horizontal Hinge **faces down**.  
Bottom Horizontal Hinge **faces up**.

**WHEN DISASSEMBLING TIGHTEN ALL KNOBS TO PREVENT LOSS DURING SHIPPING**

866.652.2100

# Perfect 10 Hybrid Displays

Part Number	Description
1	Left Leg Assembly
2	Right Leg Assembly
3	70" Hinged Horizontal
4	70" Hinged Horizontal

Version w/ 70" Horizontals  
(this is an alternative if ever  
desired to have a wider table top)

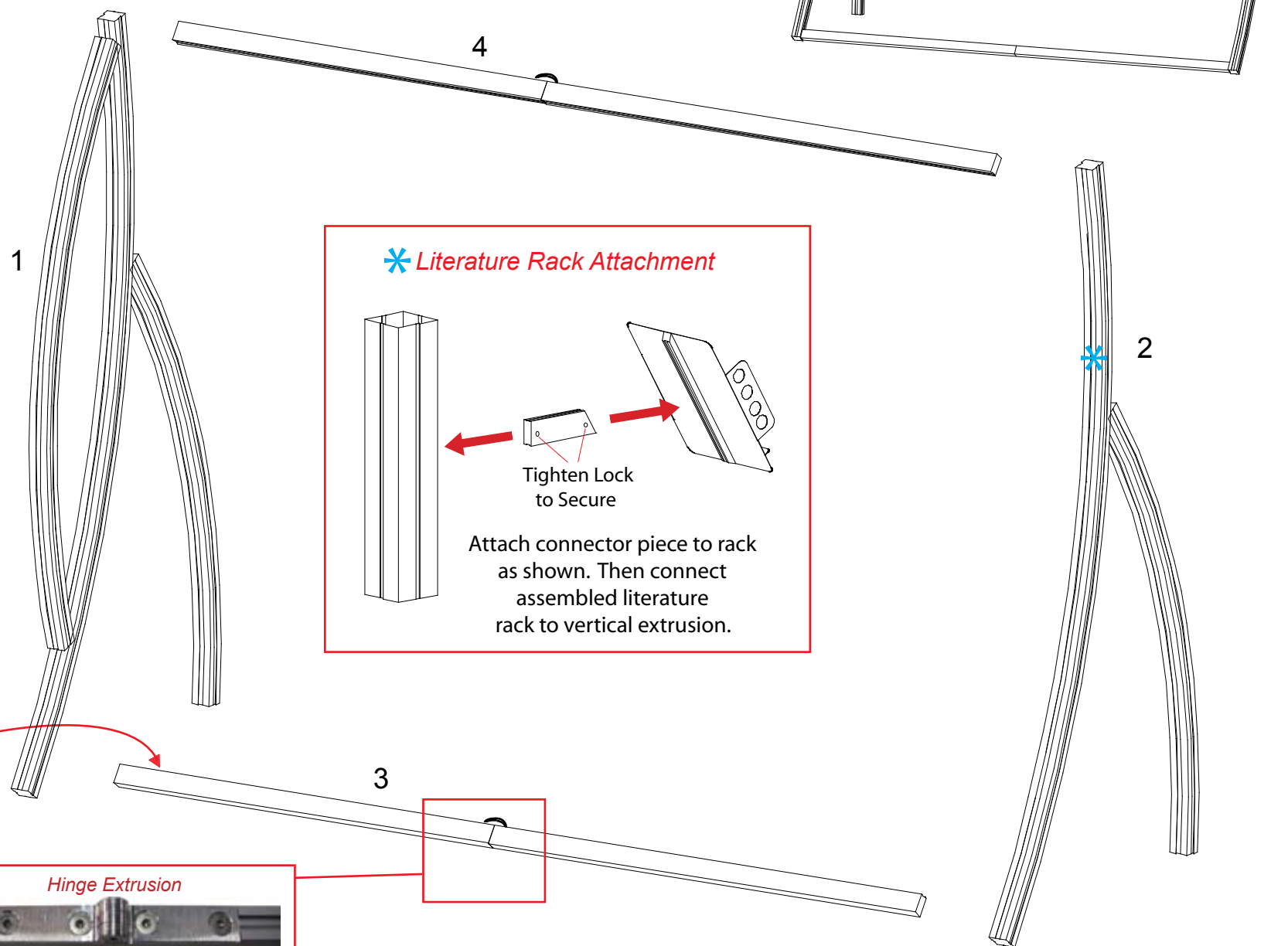
Step 1:  
NOTE: Can be assembled either face down on floor then lifted upright or upright as shown in drawings.

- A) Connect vertical leg assemblies [1 and 2] together by connecting horizontal extrusion [3] between assemblies tightening BLACK knobs on backside of extrusion making sure Velcro faces toward BACK and placing it about one inch up from bottom and tightening.
- C) Connect upper horizontal extrusion [4] between verticals [1 and 2] placing it about one inch down from top.

**NOTE: Make sure the lock is flush with extrusion before tightening. If lock will not fully engage, gently rock lock and extrusion while turning knob until lock fully opens.**



Step 1

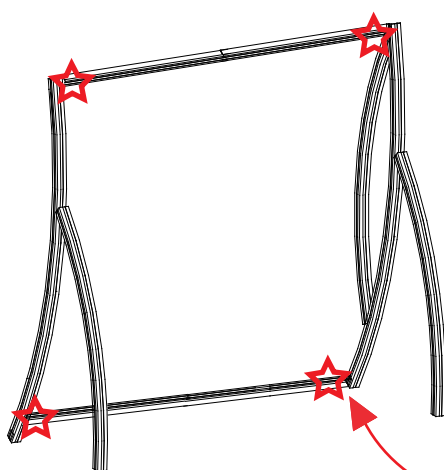


**\* Literature Rack Attachment**

Tighten Lock to Secure

Attach connector piece to rack as shown. Then connect assembled literature rack to vertical extrusion.

Rear View of Display



STAR indicates location of knobs on BACKSIDE of unit.

Black Knob

Turn Knob Clockwise to Tighten Lock

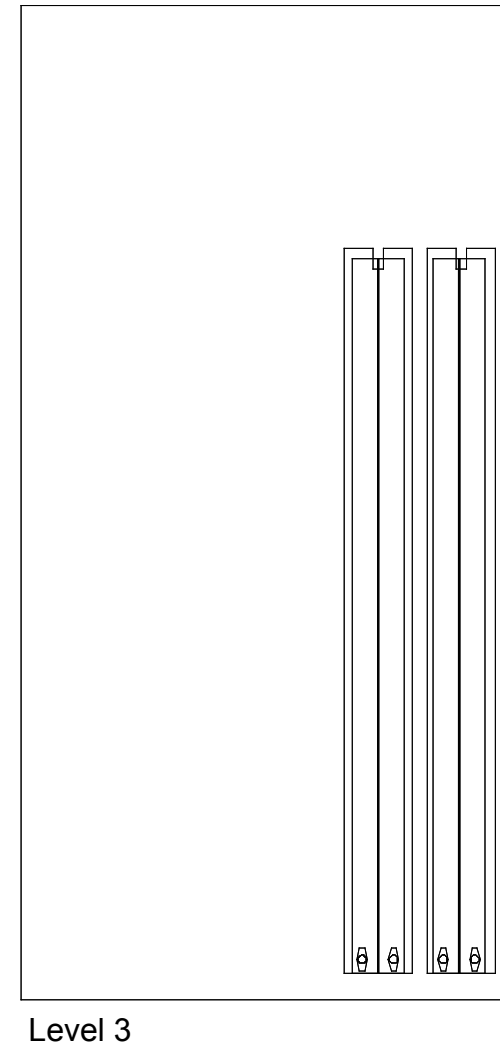
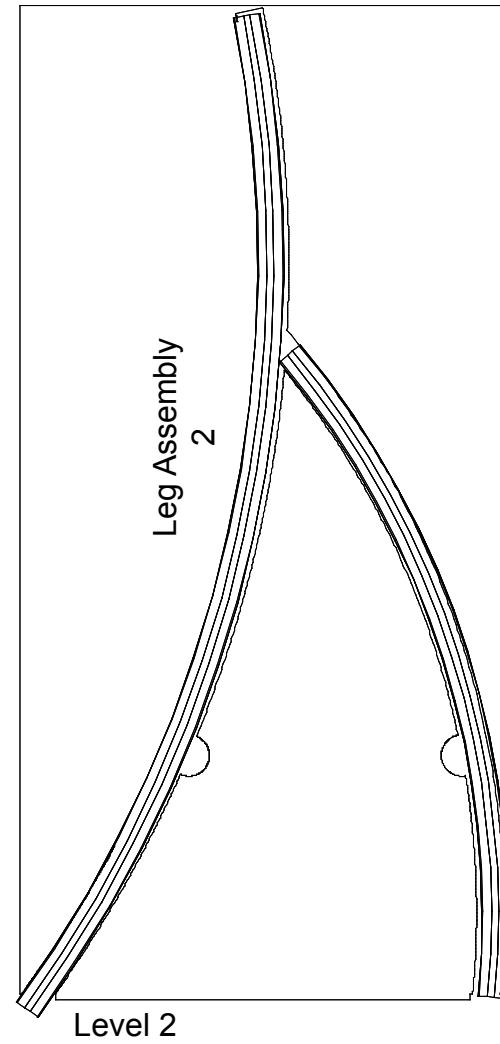
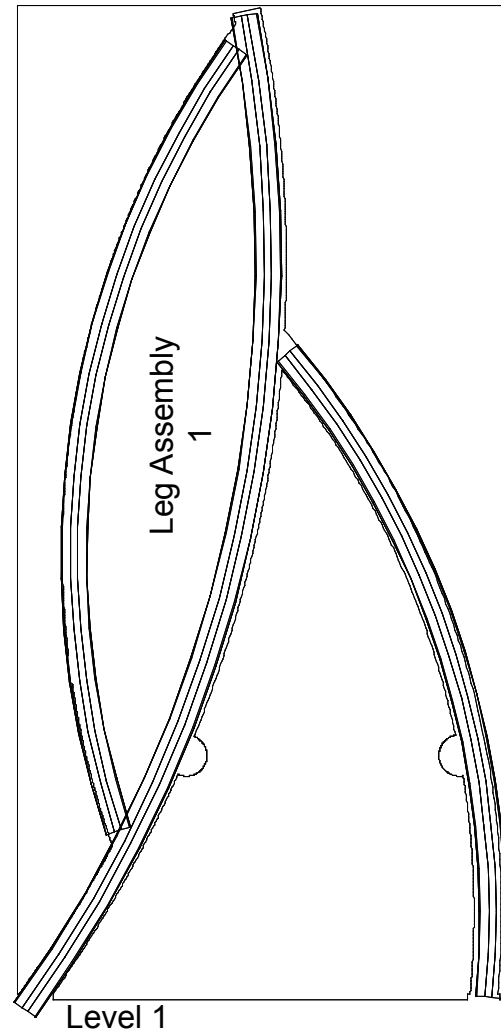
Hinge Extrusion

Top Horizontal Hinge faces down.  
Bottom Horizontal Hinge faces up.

WHEN DISASSEMBLING TIGHTEN ALL KNOBS TO PREVENT LOSS DURING SHIPPING

Case #1 - Table Top Components

Top View of each Level



**Additional Items:**  
- Setup Hardware  
- Graphic

WHEN DISASSEMBLING TIGHTEN ALL KNOBS TO PREVENT LOSS DURING SHIPPING