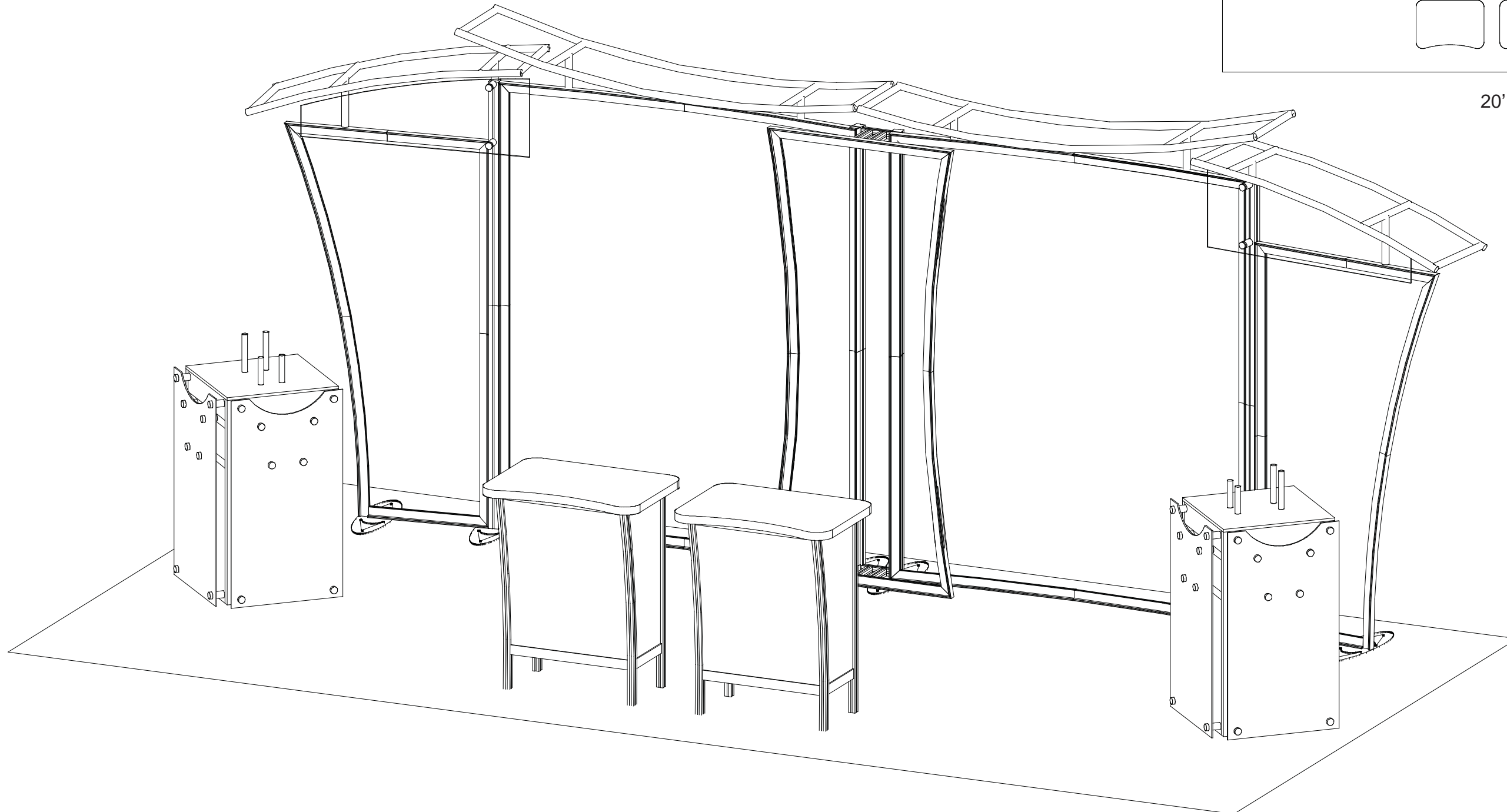
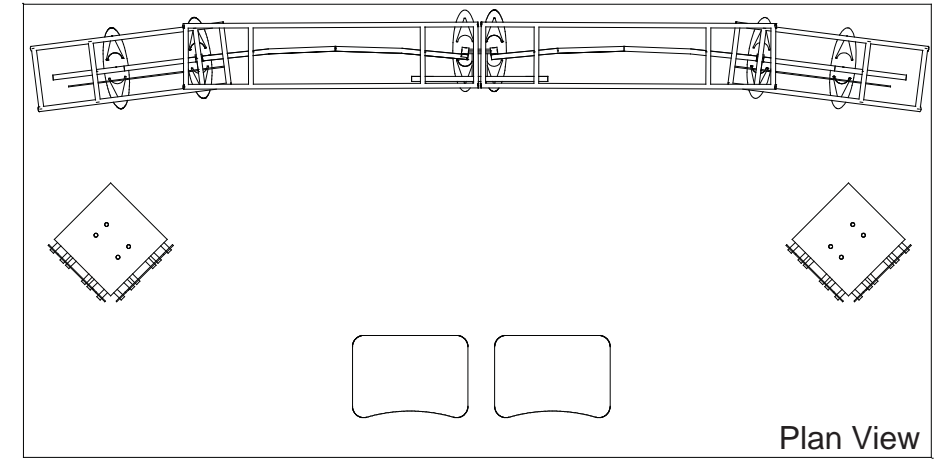


visionaryTM
SEGUEDESIGNS



WHEN DISASSEMBLING ALUMINUM EXTRUSION, TIGHTEN ALL SETSCREWS AND LOCKS TO PREVENT LOSS DURING SHIPPING

visionary™ IDESIGNS

Using Your Setup Instructions

The Visionary Designs Setup Instructions are created specifically for your configuration. They are laid out sequentially, including an exploded view of the entire display, and then a logical series of detailed steps to assemble the main structure and components. We encourage you to study the instructions **before** attempting to assemble your exhibit.

Each page reminds you to tighten the setscrews after disassembling your exhibit to prevent loss of the locks and setscrews (see below in RED). This is **VERY IMPORTANT**.

Cleaning and Packing Your Display

- 1) Use care when cleaning aluminum extrusion or acrylic inserts. Use only non-abrasive cleaners.
- 2) When cleaning laminate inserts or countertops, use mild cleansers and a soft material such as cotton.
- 3) Keep all display components away from extreme heat and long exposure to sunlight to avoid warping and fading.
- 4) Retain all packing material. It will make re-packing much easier and will reduce the likelihood of shipping damage.



The Tool

Most Visionary Designs exhibits can be assembled with the supplied Hex Key Tool. Occasionally, a flat head screwdriver may be required.



Typical Connection

Most horizontal extrusion connections have a patented expandable lock. This lock inserts into the groove of an opposing extrusion. Tightening the lock with the Hex Key Tool expands the lock and creates a strong positive connection.



Typical Connection (cont'd)



Detail B

Numbered Label

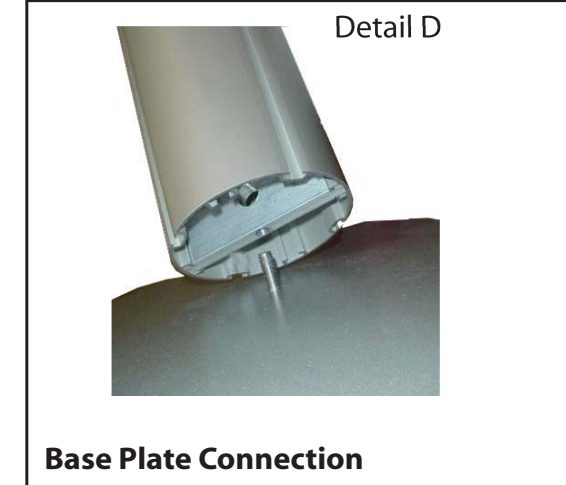
Each extrusion contains a numbered label which corresponds with setup instructions. The label is located within a groove of the extrusion (when possible). With Visionary Designs the labels contain Black numbers unless otherwise specified.



Detail C

Horizontal Inline Connection (remove only one setscrew)

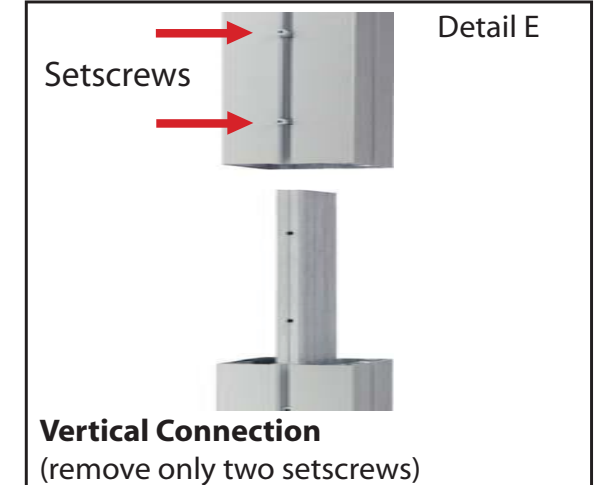
Remove only (1) setscrew when disassembling. Replace setscrew in extrusion after assembling it. Before packing, replace setscrew in extrusion to avoid losing it.



Detail D

Base Plate Connection

Attach base plate to round or square vertical extrusion using the bolt provided. Be careful not to strip the threads.



Detail E

Vertical Connection
(remove only two setscrews)

When vertical extrusions are packed in portable cases rather than crates or tubs, they must be broken down into smaller sections which then require assembly.

Remove only (2) setscrews when disassembling. Replace setscrews in extrusion after assembling it. Before packing, replace setscrews in extrusion to avoid losing them.

WHEN DISASSEMBLING ALUMINUM EXTRUSION, TIGHTEN ALL SETSCREWS AND LOCKS TO PREVENT LOSS DURING SHIPPING

euro It | HYBRIDS

Euro LT Hybrids General Setup Instructions

Using Your Setup Instructions

The Euro LT Hybrids Setup Instructions are created specifically for your configuration. They are laid out sequentially in levels, including exploded views, and a logical series of detailed steps to assemble the main structure and components. We encourage you to study the instructions **before** attempting to assemble your exhibit.

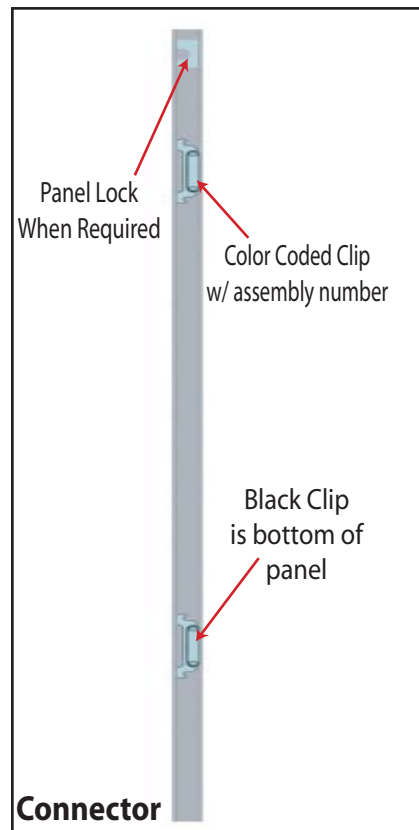
Cleaning and Packing Your Display

- 1) When cleaning laminate countertops or panels use mild cleansers and a soft material such as cotton.
- 2) Keep all display components away from extreme heat and long exposure to sunlight to avoid warping and fading.
- 3) Retain all packing material. It will make re-packing much easier and will reduce the likelihood of shipping damage.

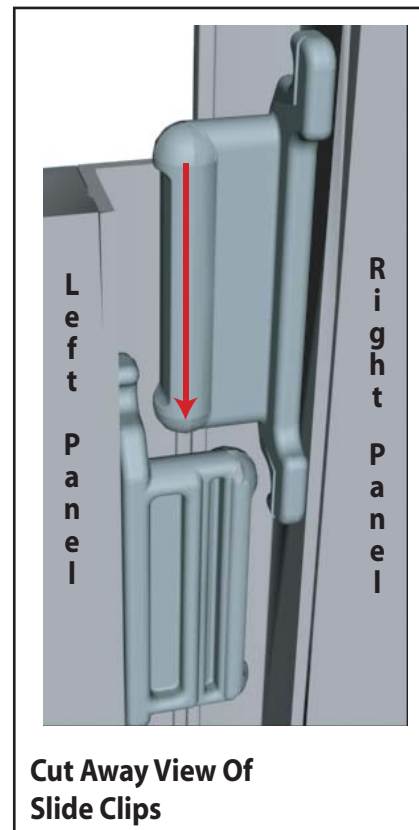
Level 1 = Blue
 Level 2 = Red
 Level 3 = Green
 Level 4 = Black

Color Code

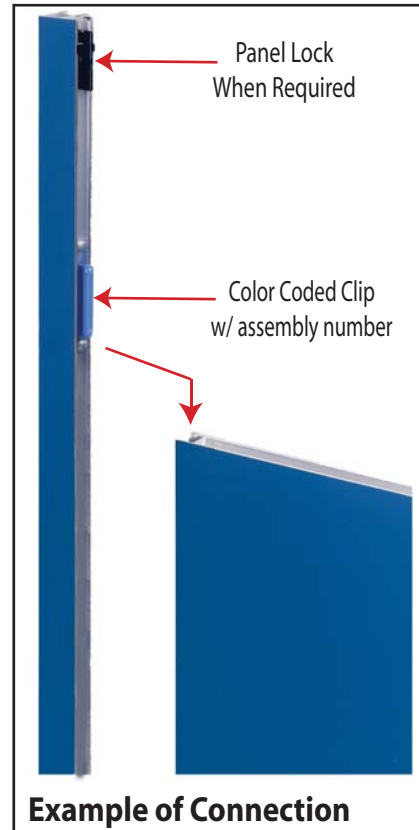
The top clip is color coded to distinguish the level. The color coded clip also contains the numbered label



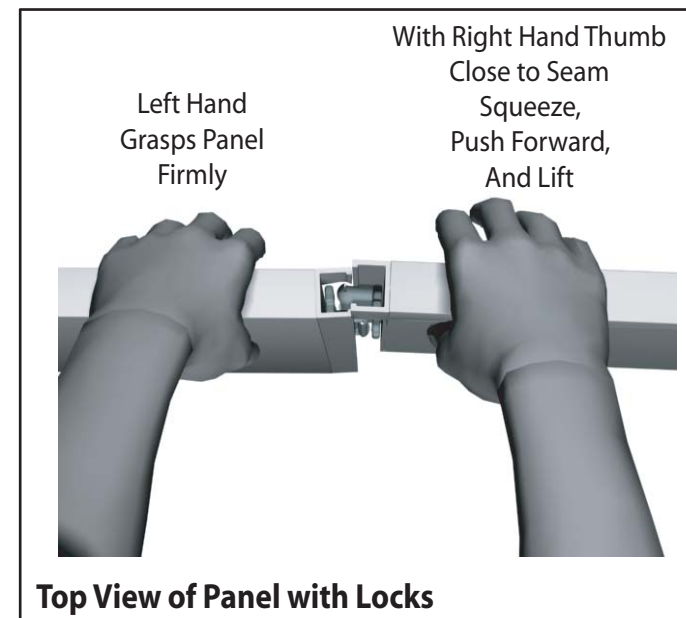
Each component has 2 clips, the lower clip is ALWAYS black..



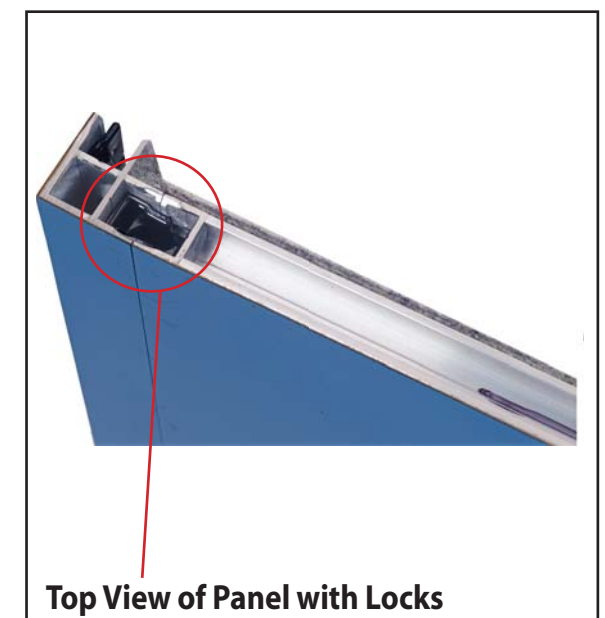
Components connect together by aligning them and sliding downward connecting clips together.



Configurations are assembled from left to right, usually starting with #1 and following the numbered sequence.



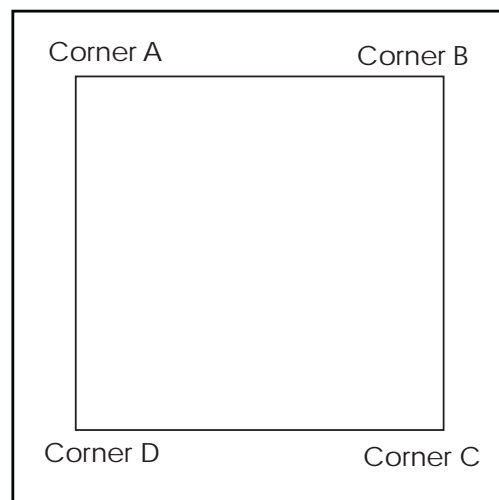
The first level of components contains panel locks that are located at the top of the panel for extra stability and a seamless connection. When disassembling panels, twist top connection slightly and lift right panel upward.



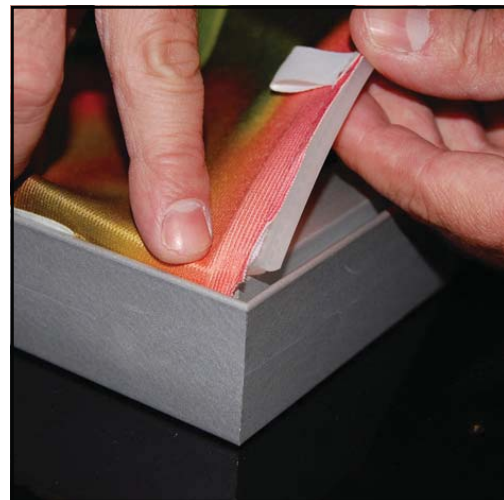
WHEN DISASSEMBLING ALUMINUM EXTRUSION, TIGHTEN ALL SETSCREWS AND LOCKS TO PREVENT LOSS DURING SHIPPING

SEG Graphic Installation

Graphic: To Ensure Proper Fit



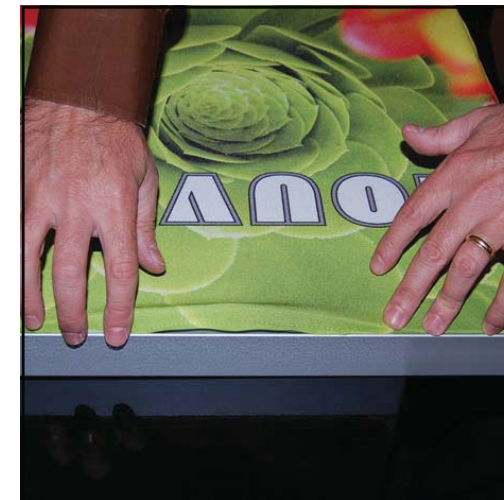
It is important to first insert graphic into each alternater corner then to the sides of the frame.
If this is not done, graphic will not fit into the frame correctly.



Step 1
Insert corner A.
Turn edge of graphic so silicon welt is perpendicular to face of graphic. Insert narrow side of welt with fabric to outside into the channel. Repeat for other side of this corner.

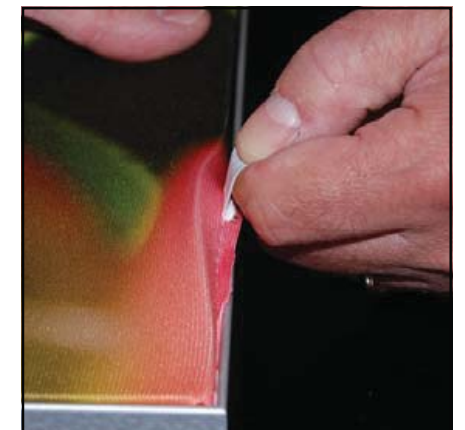


Step 2
Repeat Step 1 for opposite corner C, then insert corner B, followed by corner D, to complete the installation of the corners.



Step 3
Once all corners are inserted, press one silicon edge into channel from corners and work toward the center. Make sure welt is fully inserted into channel. Continue until all sides are done. Smooth out edges of graphic.

Graphic Removal



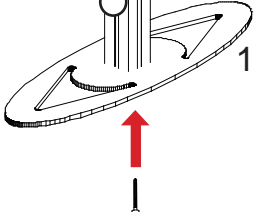
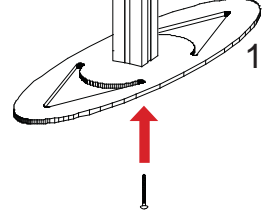
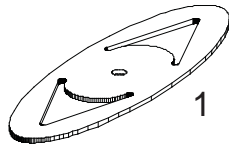
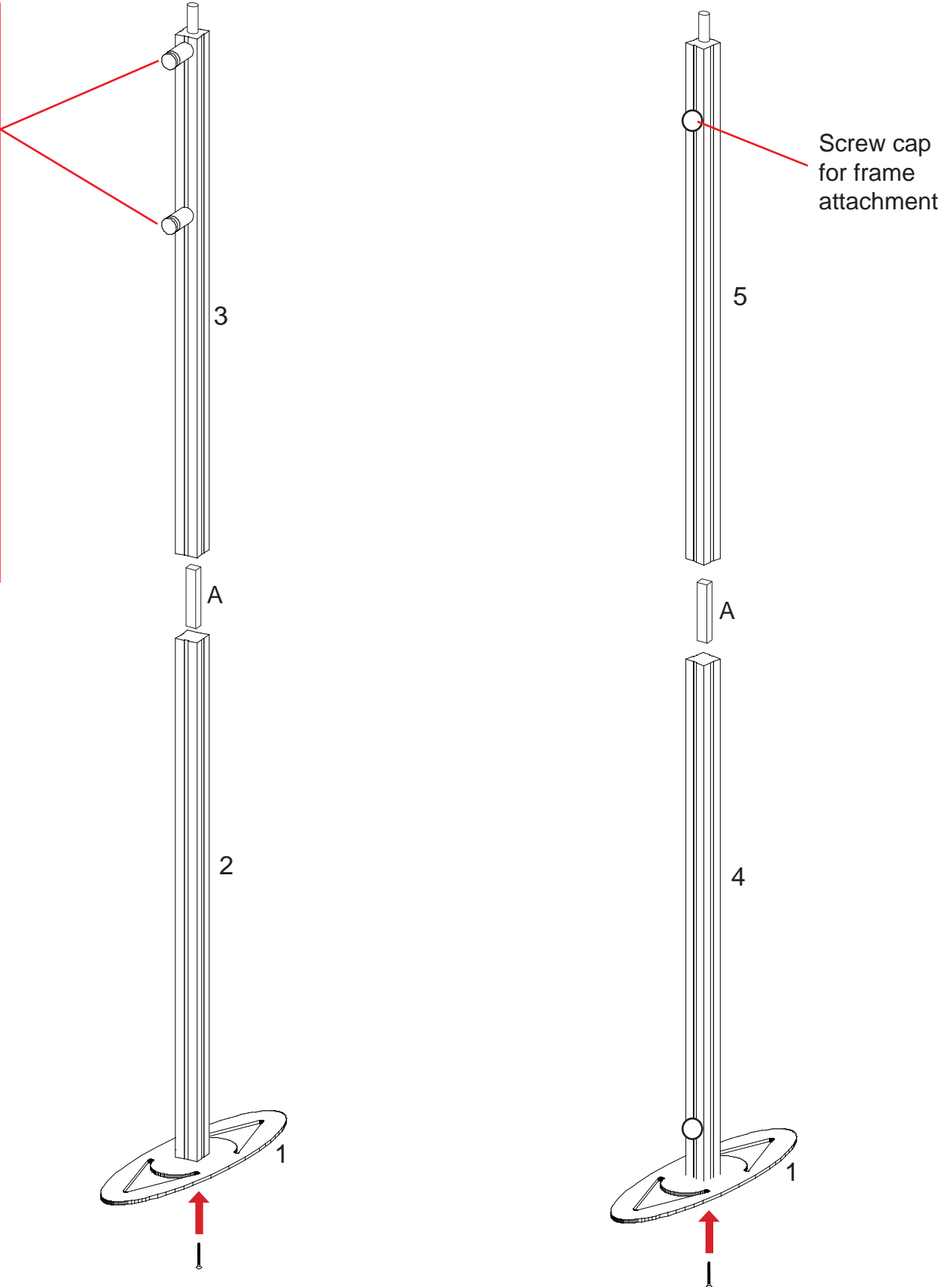
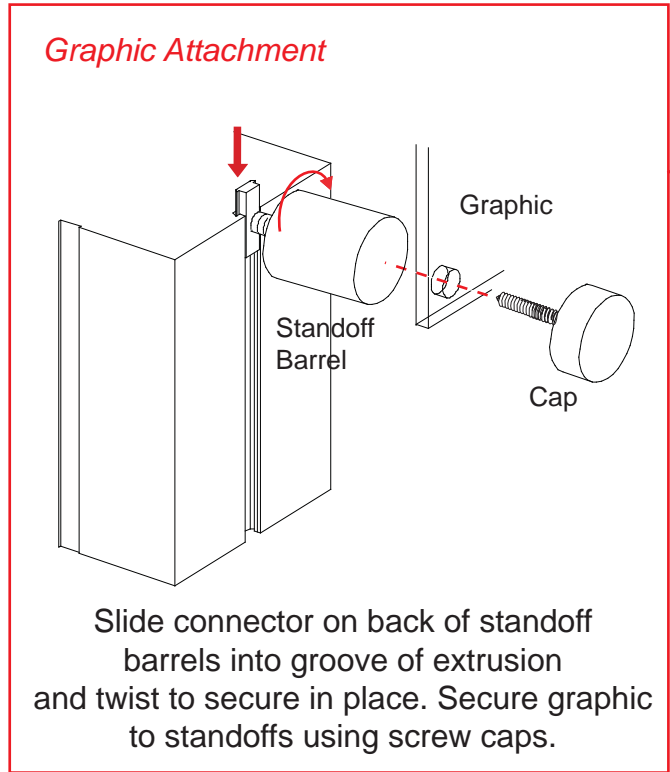
To remove the graphic from the frame, locate the fabric pull tab. Gently pull up on the tab to remove the fabric.

WHEN DISASSEMBLING ALUMINUM EXTRUSION, TIGHTEN ALL SETSCREWS AND LOCKS TO PREVENT LOSS DURING SHIPPING

Item	Qty.	Description
1	3	Base Plate
2	1	41.5" Vertical Extrusion
3	1	41.5" Vertical Extrusion
4	1	41.5" Vertical Extrusion
5	1	41.5" Vertical Extrusion

Steps:

- 1) Attach lower extrusions to base plate.
- 2) Attach upper verticals to lower verticals as shown.



WHEN DISASSEMBLING ALUMINUM EXTRUSION, TIGHTEN ALL SETSCREWS AND LOCKS TO PREVENT LOSS DURING SHIPPING

866.652.2100

Item	Qty.	Description
6	1	34.92" Curved SEG Extrusion
7	1	34.92" Curved SEG Extrusion and 19"w SEG Extrusion
8	1	19"w SEG Extrusion
9	1	35.9385"h SEG Extrusion
10	1	35.9385"h SEG Extrusion
11	1	24.242"w SEG Extrusion
13	1	41.5"h SEG Extrusion
14	1	41.5"h SEG Extrusion
15	1	32.263"w Curved SEG Extrusion
16	1	32.263"w Curved SEG Extrusion
17	1	41.5"h SEG Extrusion
18	1	41.5"h SEG Extrusion
19	1	32.263"w Curved SEG Extrusion
20	1	32.263"w Curved SEG Extrusion

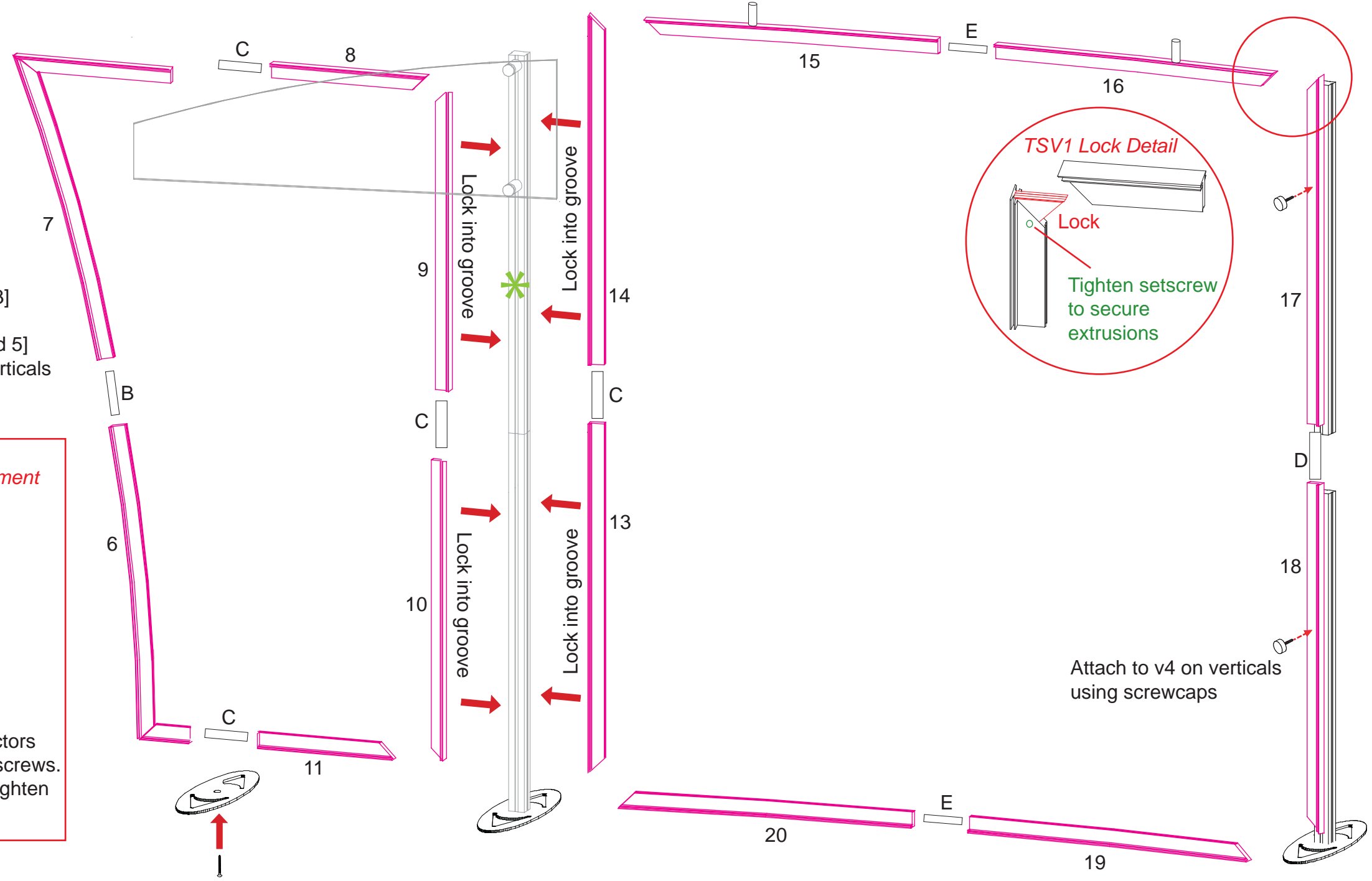
Steps:

- 1) Assemble SEG extrusions together [8 to 11].
- 2) Attach base plate [1] to bottom of assembled frame [11].
- 3) Lock verticals [9 and 10] to left side of verticals [2 and 3].
- 4) Assemble SEG extrusions together [13 to 20].
- 5) Secure right side of assembled frame to verticals [4 and 5] and lock left side of assembled frame to right side of verticals [2 and 3].

*** Monitor Mount Attachment**

Slide mounting connector pieces into groove of extrusion. Tighten setscrew to secure in place.

Attach back plate to connectors on vertical extrusion using screws. Then attach top plate and tighten setscrews to secure.



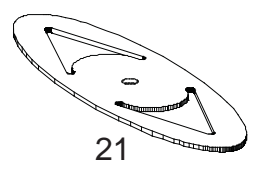
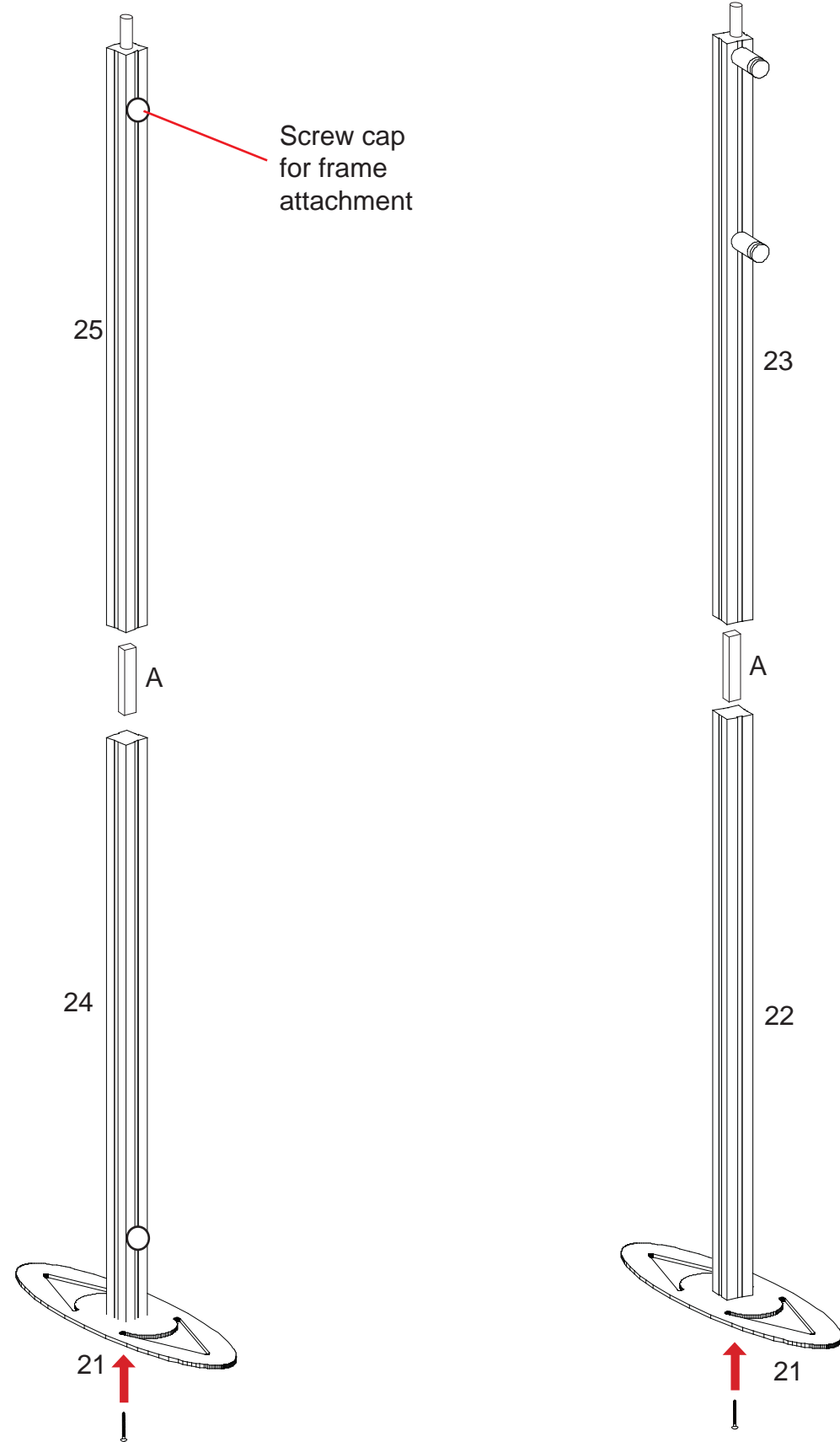
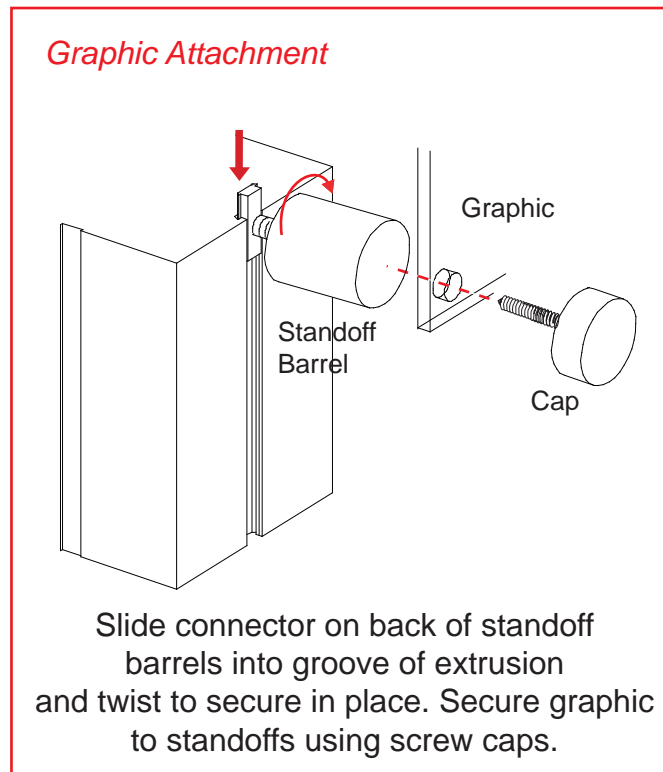
WHEN DISASSEMBLING ALUMINUM EXTRUSION, TIGHTEN ALL SETSCREWS AND LOCKS TO PREVENT LOSS DURING SHIPPING

866.652.2100

Item	Qty.	Description
21	3	Base Plate
22	1	41.5"h Vertical Extrusion
23	1	41.5"h Vertical Extrusion
24	1	41.5"h Vertical Extrusion
25	1	41.5"h Vertical Extrusion

Steps:

- 1) Attach lower extrusions to base plate.
- 2) Attach upper verticals to lower verticals as shown.

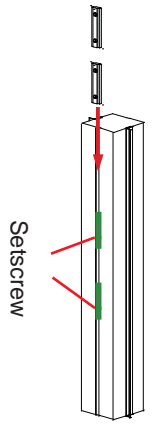


WHEN DISASSEMBLING ALUMINUM EXTRUSION, TIGHTEN ALL SETSCREWS AND LOCKS TO PREVENT LOSS DURING SHIPPING

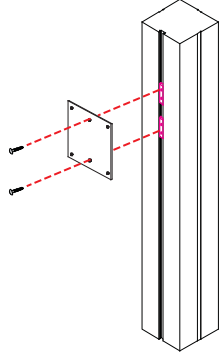
Item	Qty.	Description
26	1	32.263" w Curved SEG Extrusion
27	1	32.263" w Curved SEG Extrusion
28	1	41.5" h SEG Extrusion
29	1	41.5" h SEG Extrusion
30	1	32.263" w Curved SEG Extrusion
31	1	32.263" w Curved SEG Extrusion
32	1	41.5" h SEG Extrusion
33	1	41.5" h SEG Extrusion
34	1	34.92" Curved SEG Extrusion
35	1	34.92" Curved SEG Extrusion and 19" w SEG Extrusion
36	1	19" w SEG Extrusion
37	1	35.9385" h SEG Extrusion
38	1	35.9385" h SEG Extrusion
39	1	24.242" w SEG Extrusion

Steps:

- 1) Assemble SEG extrusions together [8 to 11].
- 2) Attach base plate [1] to bottom of assembled frame [11].
- 3) Lock verticals [9 and 10] to left side of verticals [2 and 3]
- 4) Assemble SEG extrusions together [13 to 20].
- 5) Secure right side of assembled frame to verticals [4 and 5] and lock left side of assembled frame to right side of verticals [2 and 3].

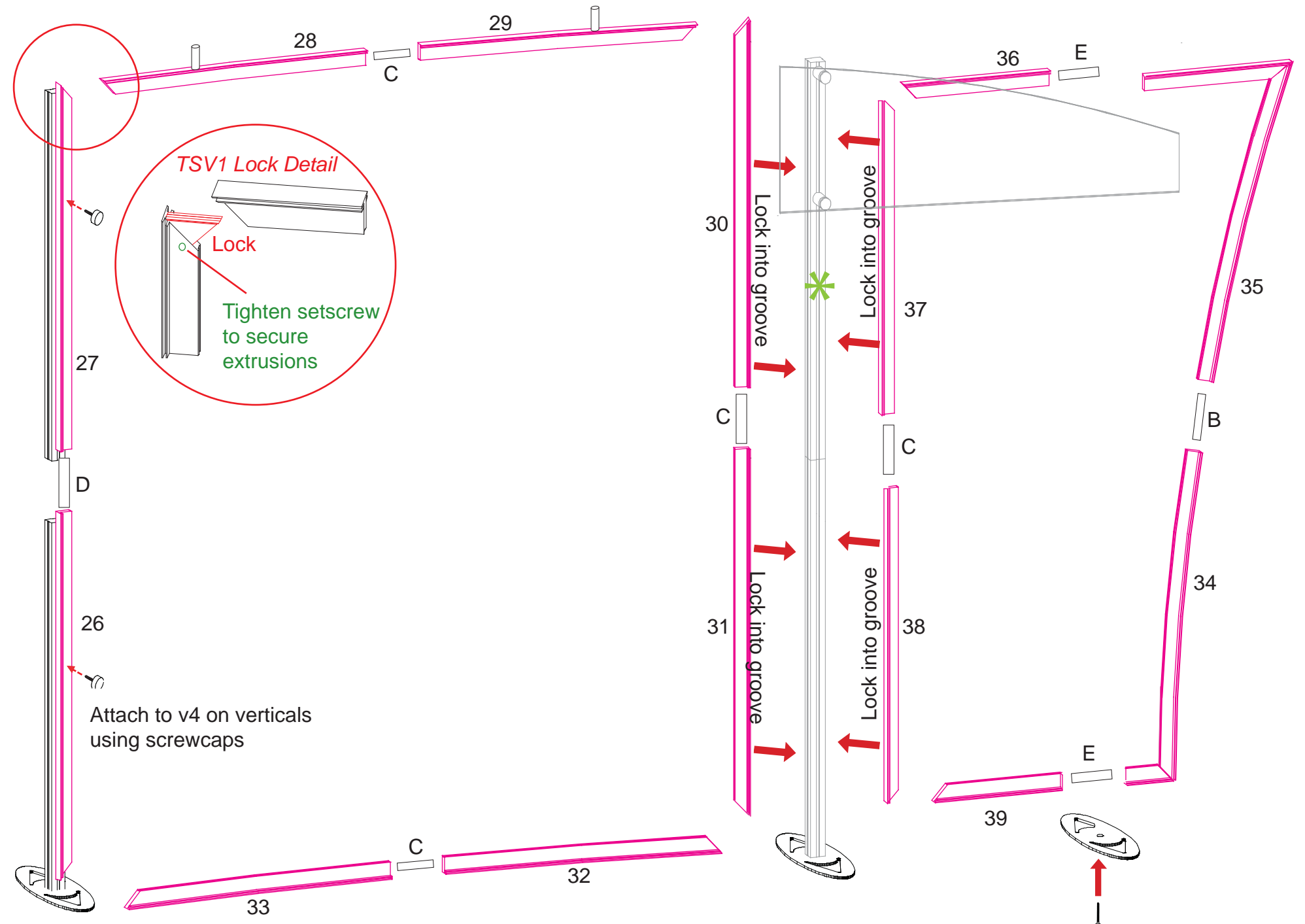


✱ *Monitor Mount Attachment*



Slide mounting connector pieces into groove of extrusion. Tighten setscrew to secure in place.

Attach back plate to connectors on vertical extrusion using screws. Then attach top plate and tighten setscrews to secure.



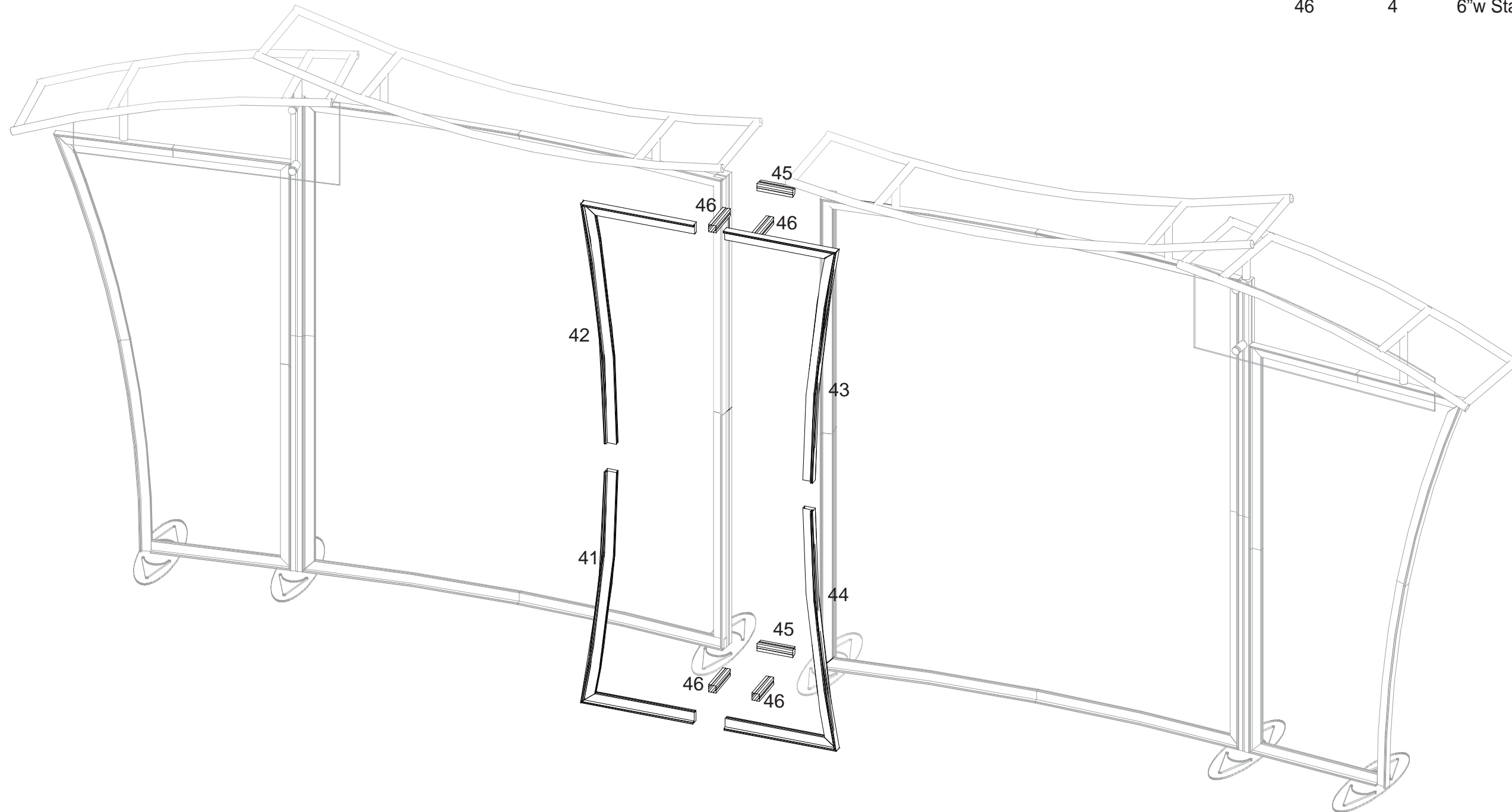
WHEN DISASSEMBLING ALUMINUM EXTRUSION, TIGHTEN ALL SETSCREWS AND LOCKS TO PREVENT LOSS DURING SHIPPING

866.652.2100

Steps:

- 1) Assemble SEG extrusions together [41 to 44].
- 2) Connect 2 assembled backwall units together using horizontals [45].
- 3) Use standoff extrusions [46] to connect SEG frame to extrusions [45].

Item	Qty.	Description
41	1	SEG Extrusion
42	1	SEG Extrusion
43	1	SEG Extrusion
44	1	SEG Extrusion
45	2	6"w Horizontal Extrusion
46	4	6"w Standoff Extrusion



WHEN DISASSEMBLING ALUMINUM EXTRUSION, TIGHTEN ALL SETSCREWS AND LOCKS TO PREVENT LOSS DURING SHIPPING



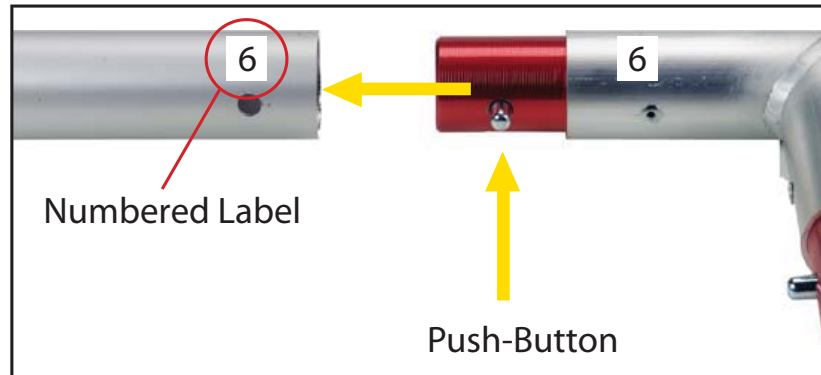
Using Your Setup Instructions

The Aero Overhead Sign Setup Instructions are created specifically for your configuration. They include an exploded view of the frame which is sequentially numbered. We encourage you to study the instructions before attempting to assemble your exhibit.

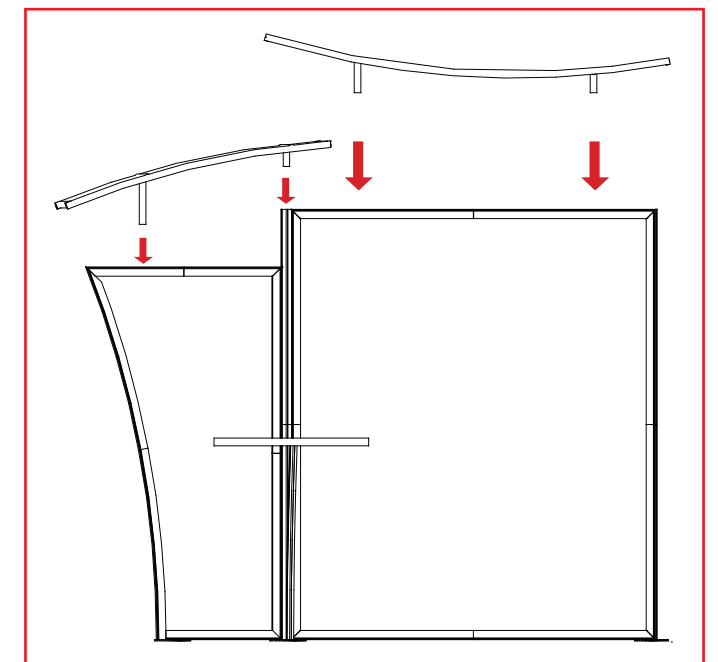
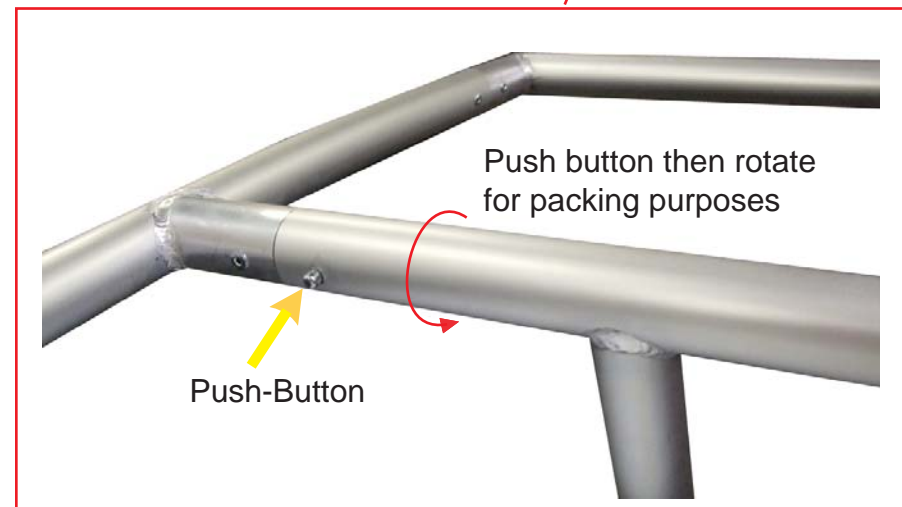
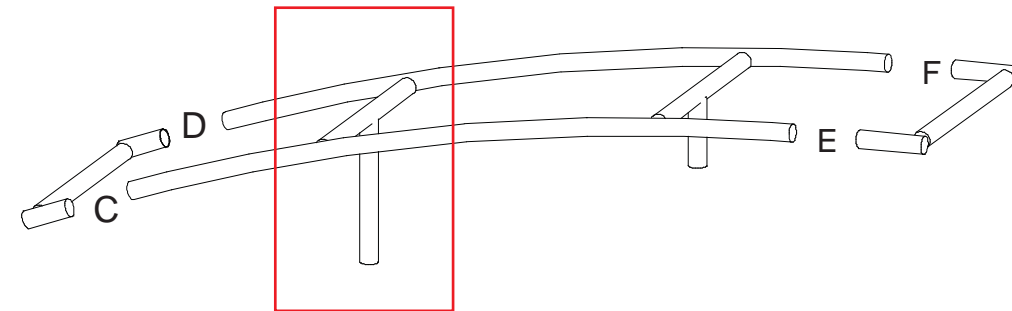
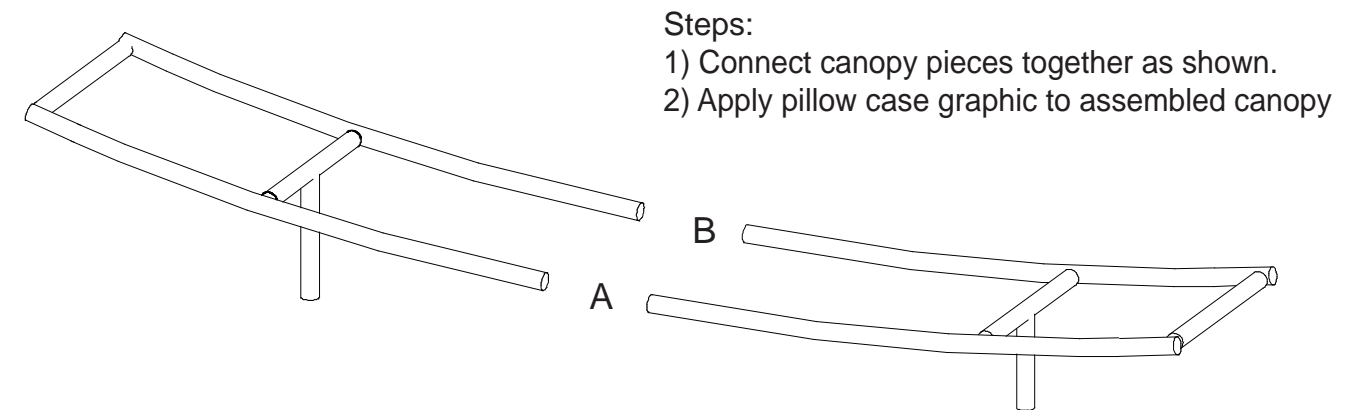
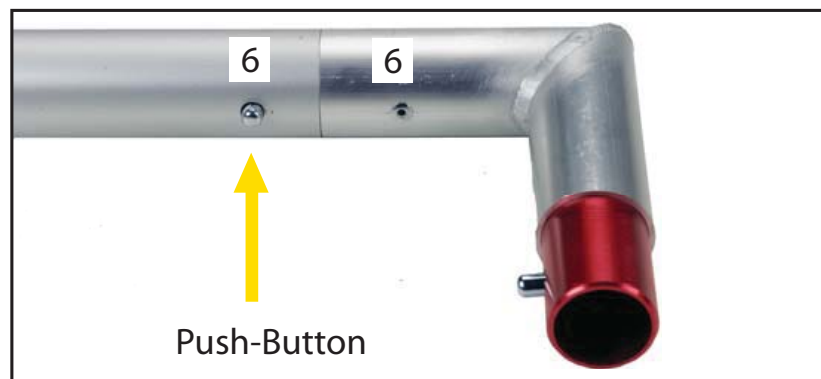
Connections are kept very simple: no tools. Everything assembles with push-button connectors and pre-connected horizontal sections.

Cleaning and Packing Your Display

- 1) Use care when cleaning aluminum extrusion or acrylic inserts. Use only non-abrasive cleaners.
- 2) Retain all packing material. It will make re-packing much easier and will reduce the likelihood of shipping damage.



Connections are made by holding the button down and sliding the red tube into opposing tube until the connection is made. To disassemble push button and pull or twist extrusions apart.



WHEN DISASSEMBLING ALUMINUM EXTRUSION, TIGHTEN ALL SETSCREWS AND LOCKS TO PREVENT LOSS DURING SHIPPING

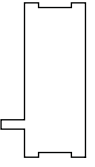
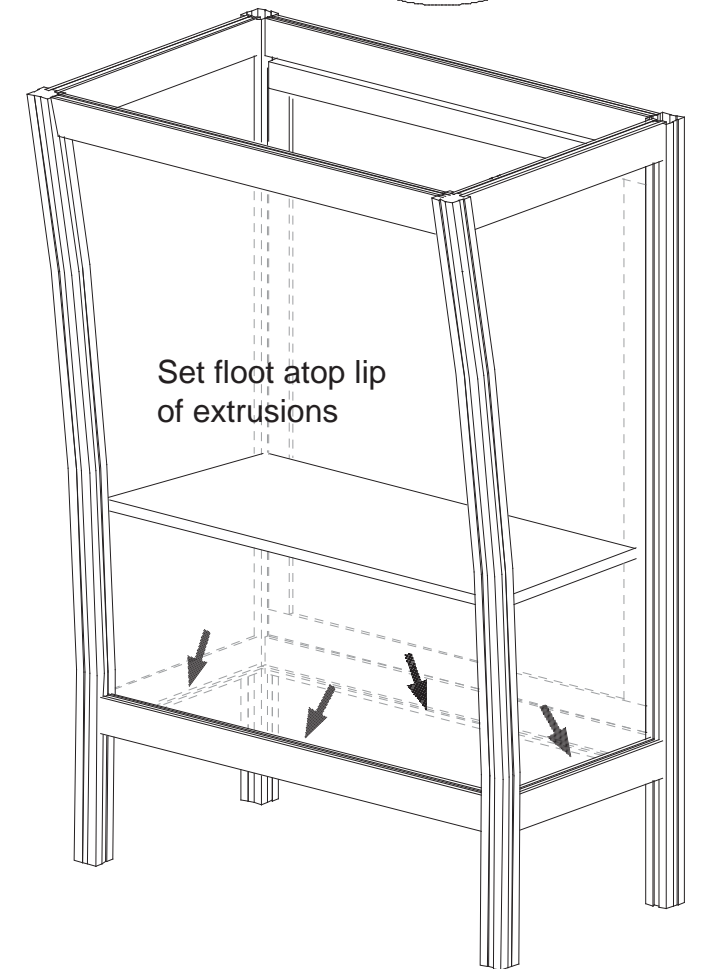
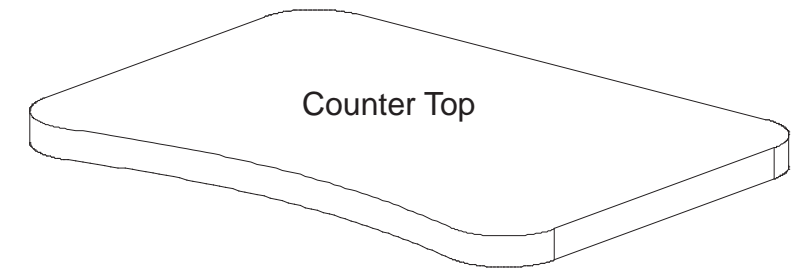
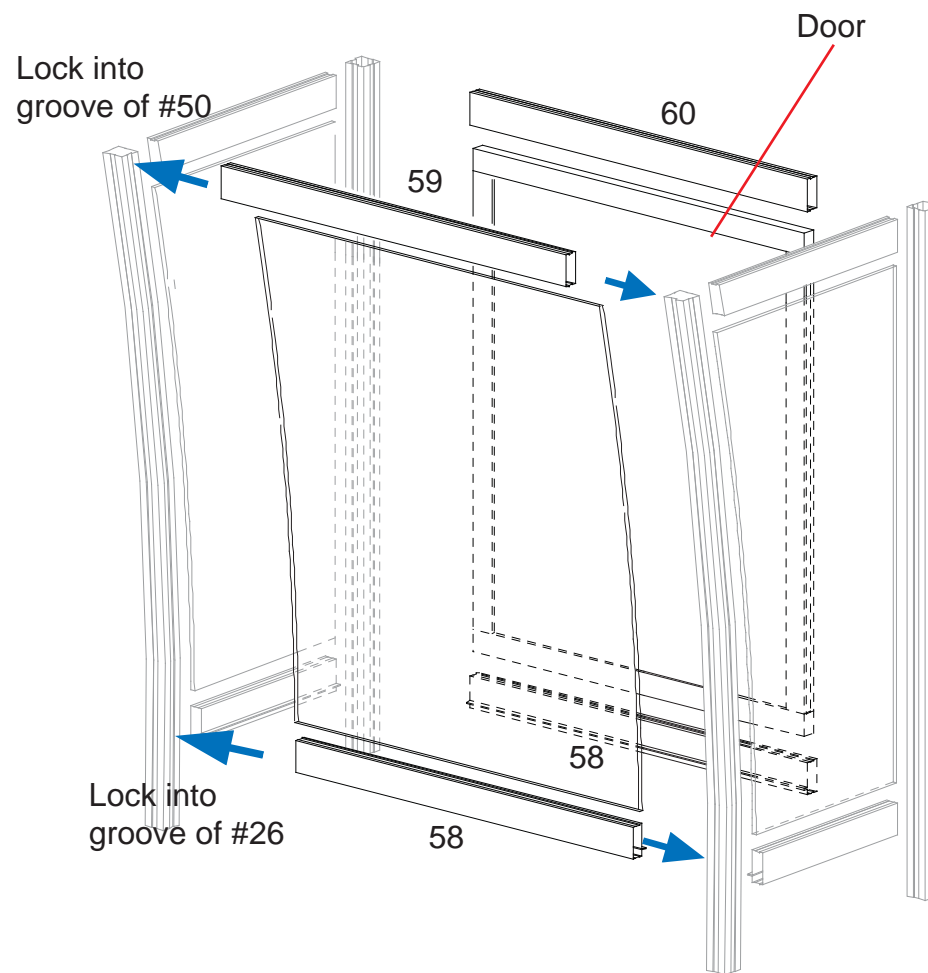
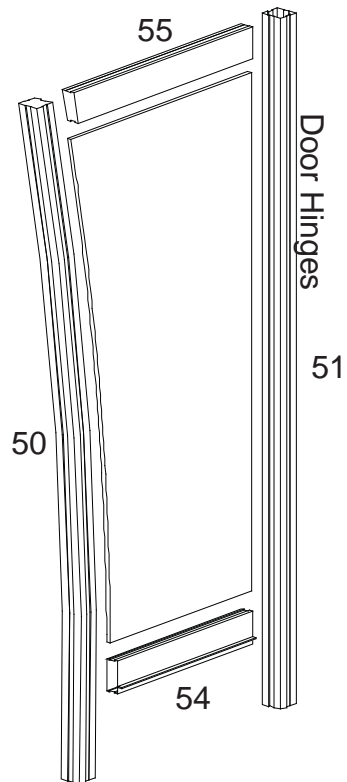
866.652.2100

Item	Qty.	Description
50	1	38.2854" Curved Vertical Extrusion
51	1	38"h Vertical Extrusion
52	1	38"h Vertical Extrusion
53	1	38.2854" Curved Vertical Extrusion
54	1	11"w Horizontal Extrusion
55	1	14.567"w Horizontal Extrusion
56	1	11"w Horizontal Extrusion
57	1	14.567"w Horizontal Extrusion
58	2	23"w Horizontal Extrusion
59	1	23"w Horizontal Extrusion
60	1	23.505"w Horizontal Extrusion

Steps:

- 1) Connect horizontal [54, 56 and 58] between vertical legs.
- 2) Set floor atop lip of extrusions [54, 56 and 58].
- 3) Slide insert and attach door in place.
- 4) Attach upper horizontals as shown.
- 5) Place counter top atop assembled pedestal.

Extrusions 27, 29 and 31 have a lip for the floor to rest upon.

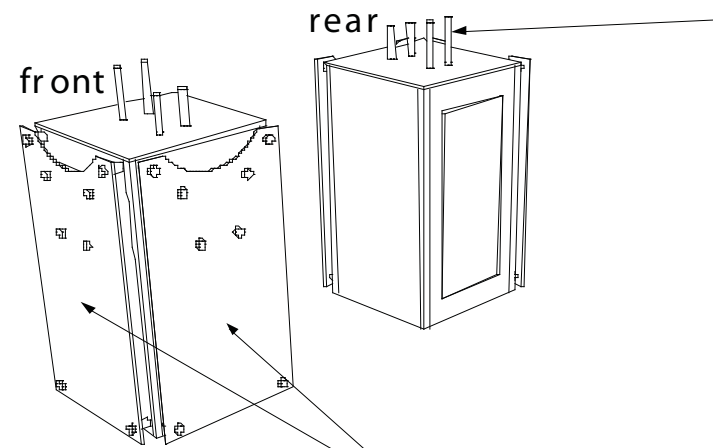



**** Side assemblies must remain assembled when shipping in jiggid cases

WHEN DISASSEMBLING ALUMINUM EXTRUSION, TIGHTEN ALL SETSCREWS AND LOCKS TO PREVENT LOSS DURING SHIPPING

866.652.2100

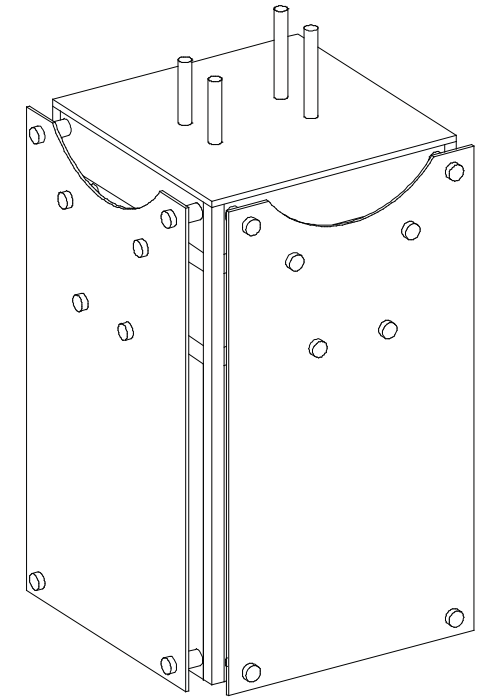
Item Number	Description
1	19" w x 38" h Flat Panel w/ Door
2	38" h 90° Connector
3	19" w x 38" h Flat Panel
4	38" h 90° Connector
5	19" w x 38" h Flat Panel
6	38" h 90° Connector
7	19" w x 38" h Flat Panel
8	38" h 90° Connector



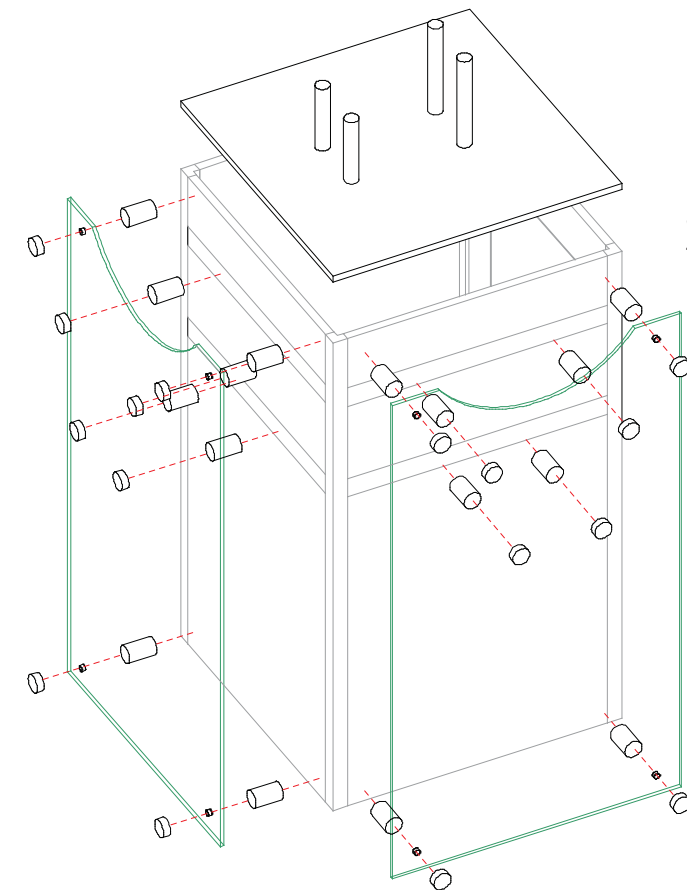
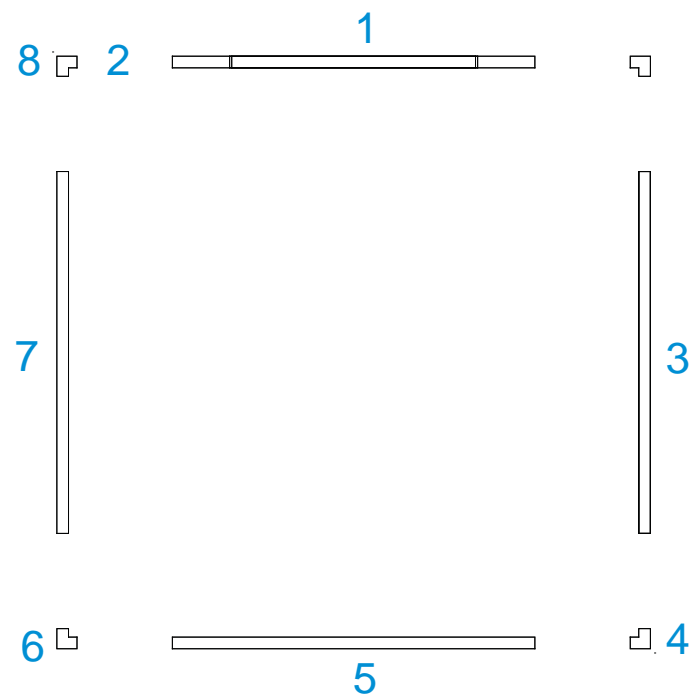
posts to hold motors
- motors located in
the set up area

(location and height
not specific, please
see motors in set up
area for test fitting)

plex section
held w/ stand-off's



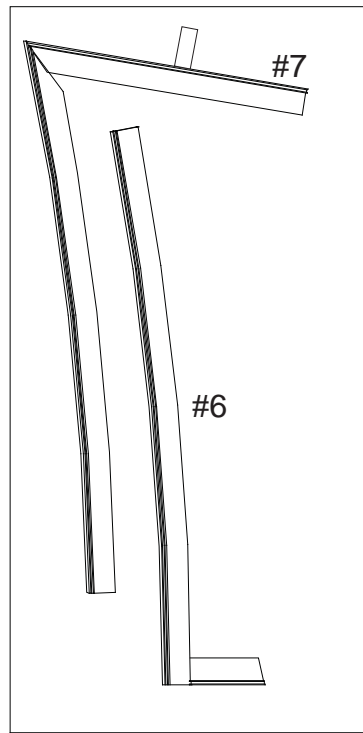
Steps:
Connect panels together in numerical order
as shown in illustrations.



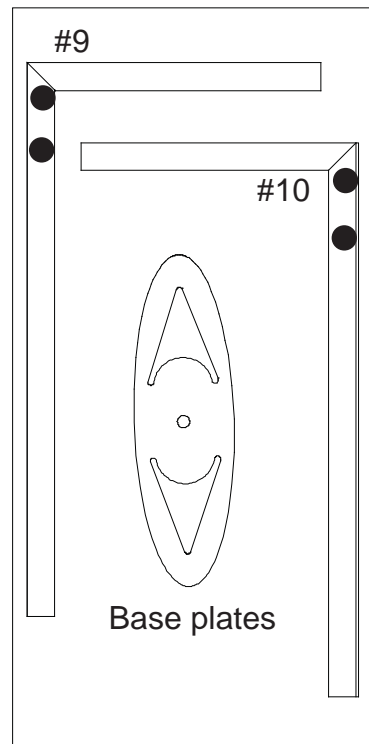
Use standoffs to
attach Plex panels
to assembled pedestal

**WHEN DISASSEMBLING ALUMINUM EXTRUSION, TIGHTEN ALL
SETSCREWS AND LOCKS TO PREVENT LOSS DURING SHIPPING**

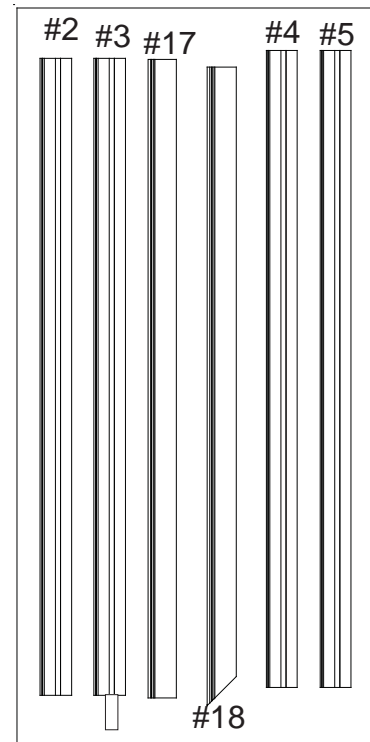
Top View of each Level



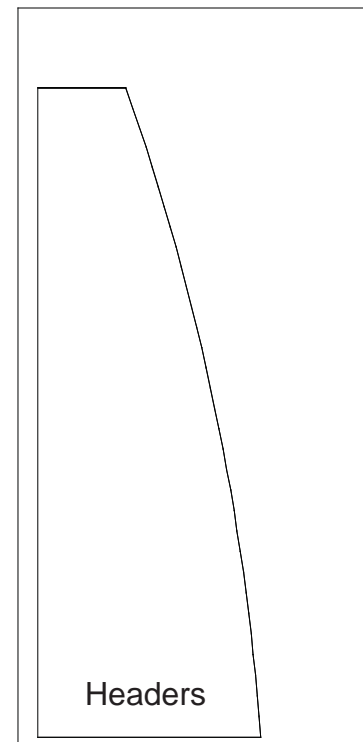
Level 1 (Bottom)



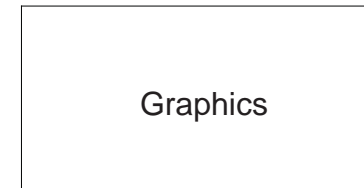
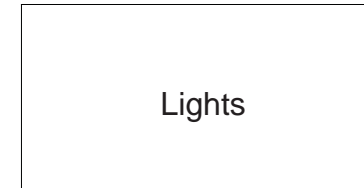
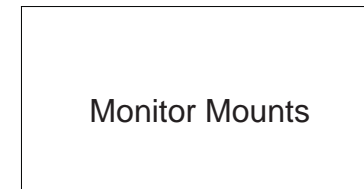
Level 2



Level 3

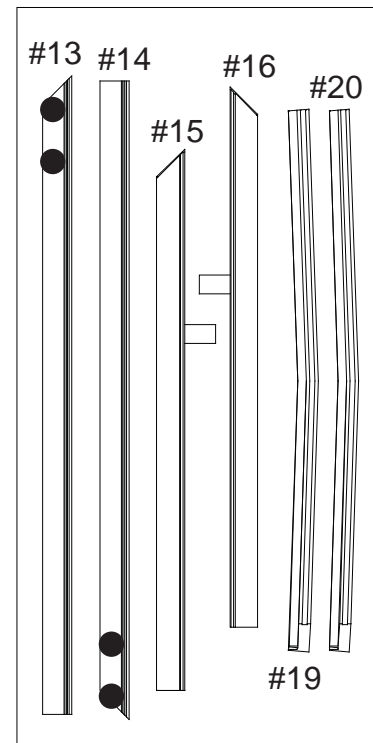


Slip Sheet

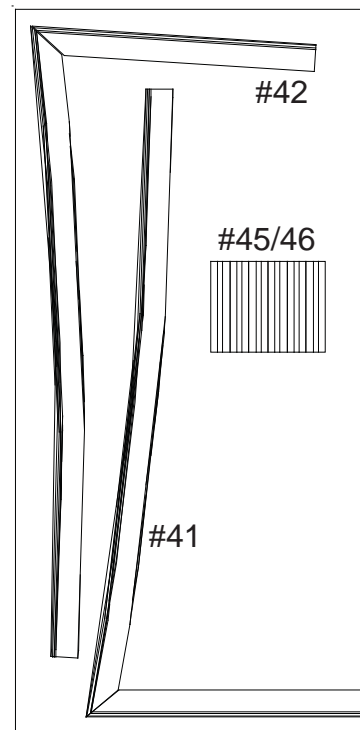


WHEN DISASSEMBLING ALUMINUM EXTRUSION, TIGHTEN ALL SETSCREWS AND LOCKS TO PREVENT LOSS DURING SHIPPING

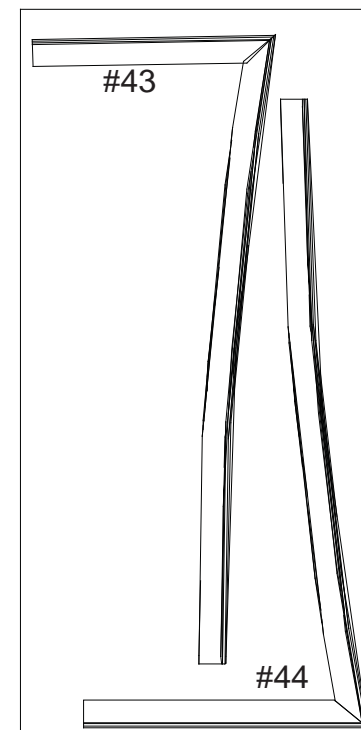
Top View of each Level



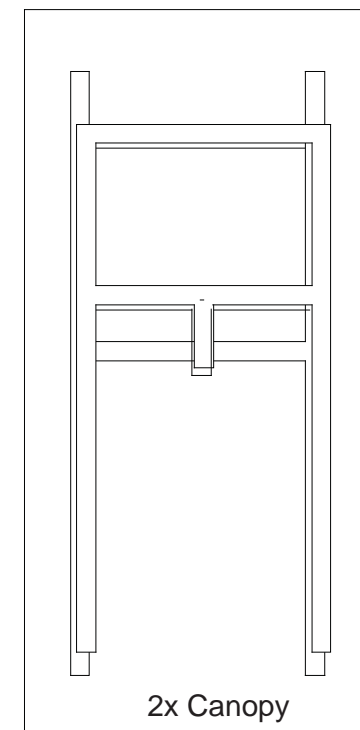
Level 1 (Bottom)



Level 2



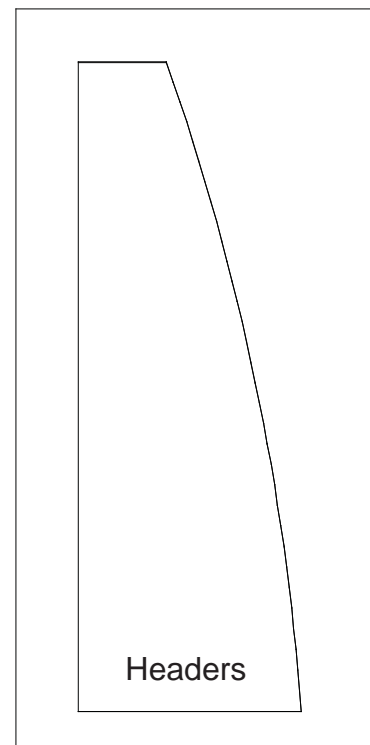
Level 3



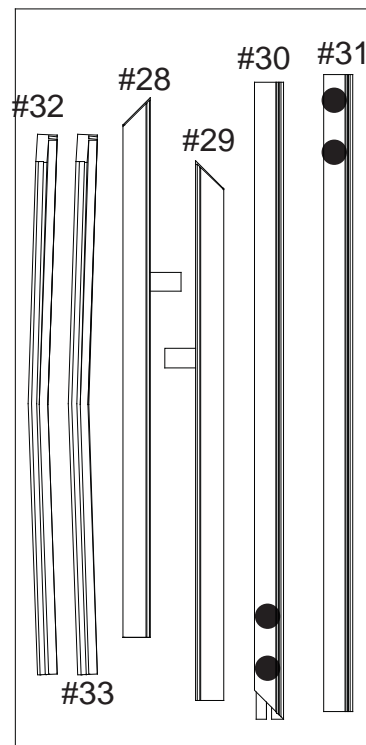
Slip Sheet

WHEN DISASSEMBLING ALUMINUM EXTRUSION, TIGHTEN ALL SETSCREWS AND LOCKS TO PREVENT LOSS DURING SHIPPING

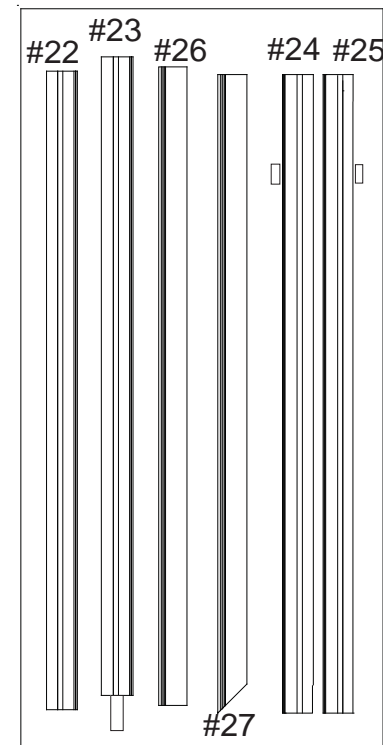
Top View of each Level



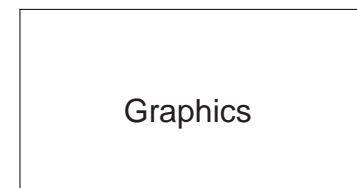
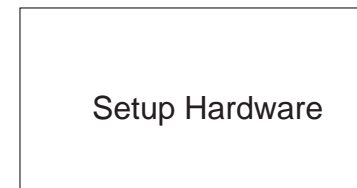
Level 1 (Bottom)



Level 2

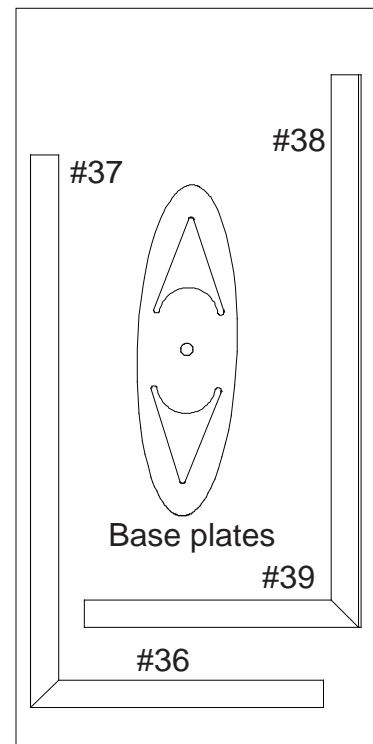


Level 3

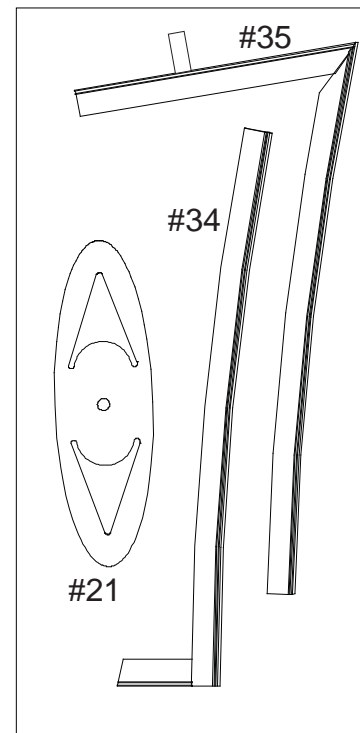


WHEN DISASSEMBLING ALUMINUM EXTRUSION, TIGHTEN ALL SETSCREWS AND LOCKS TO PREVENT LOSS DURING SHIPPING

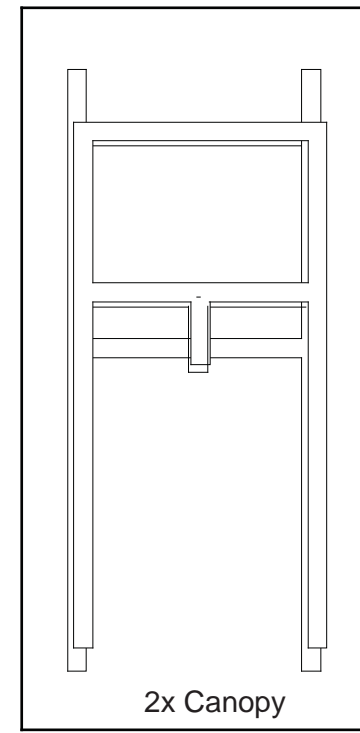
Top View of each Level



Level 1 (Bottom)



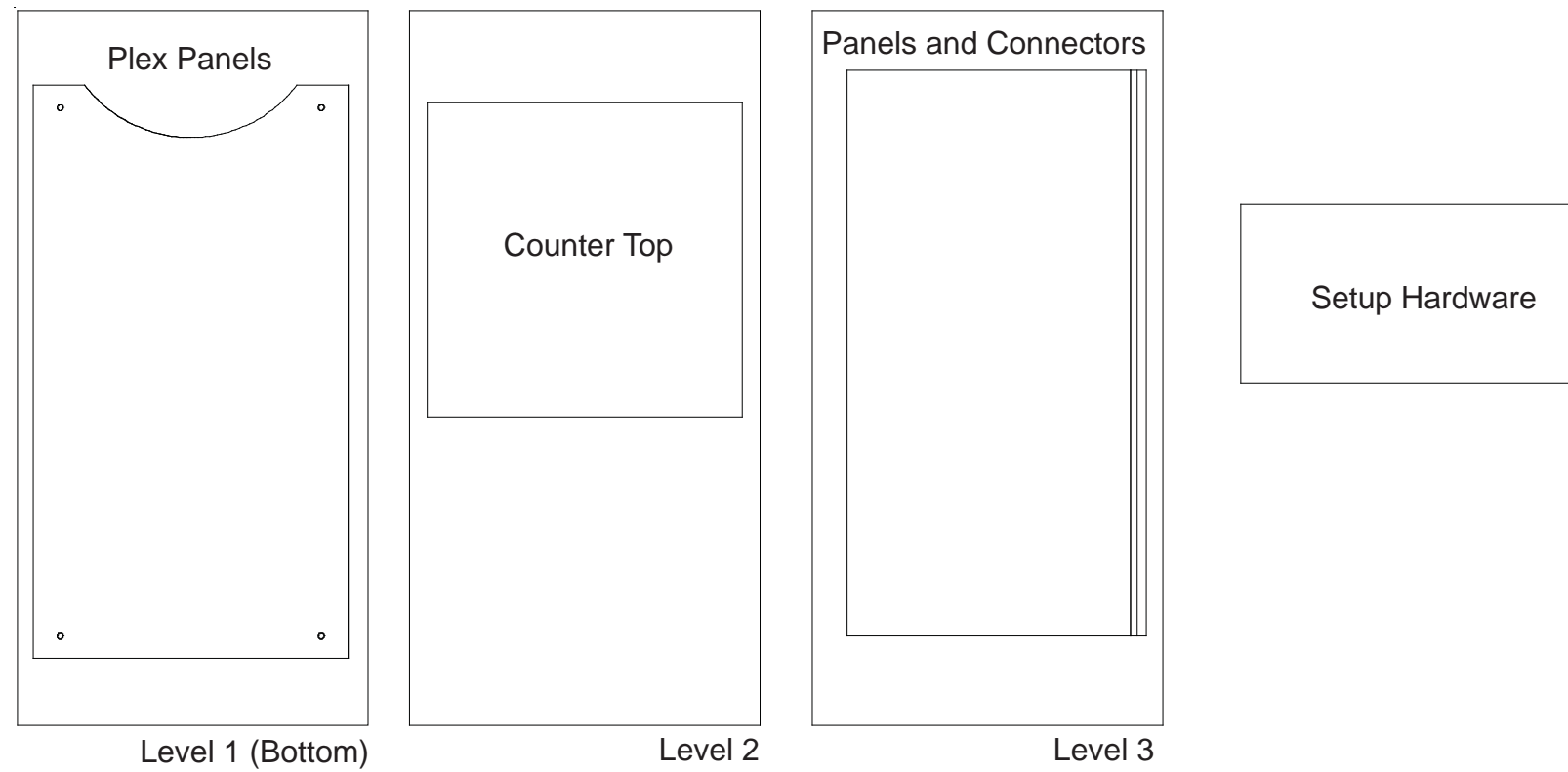
Level 2



Slip Sheet

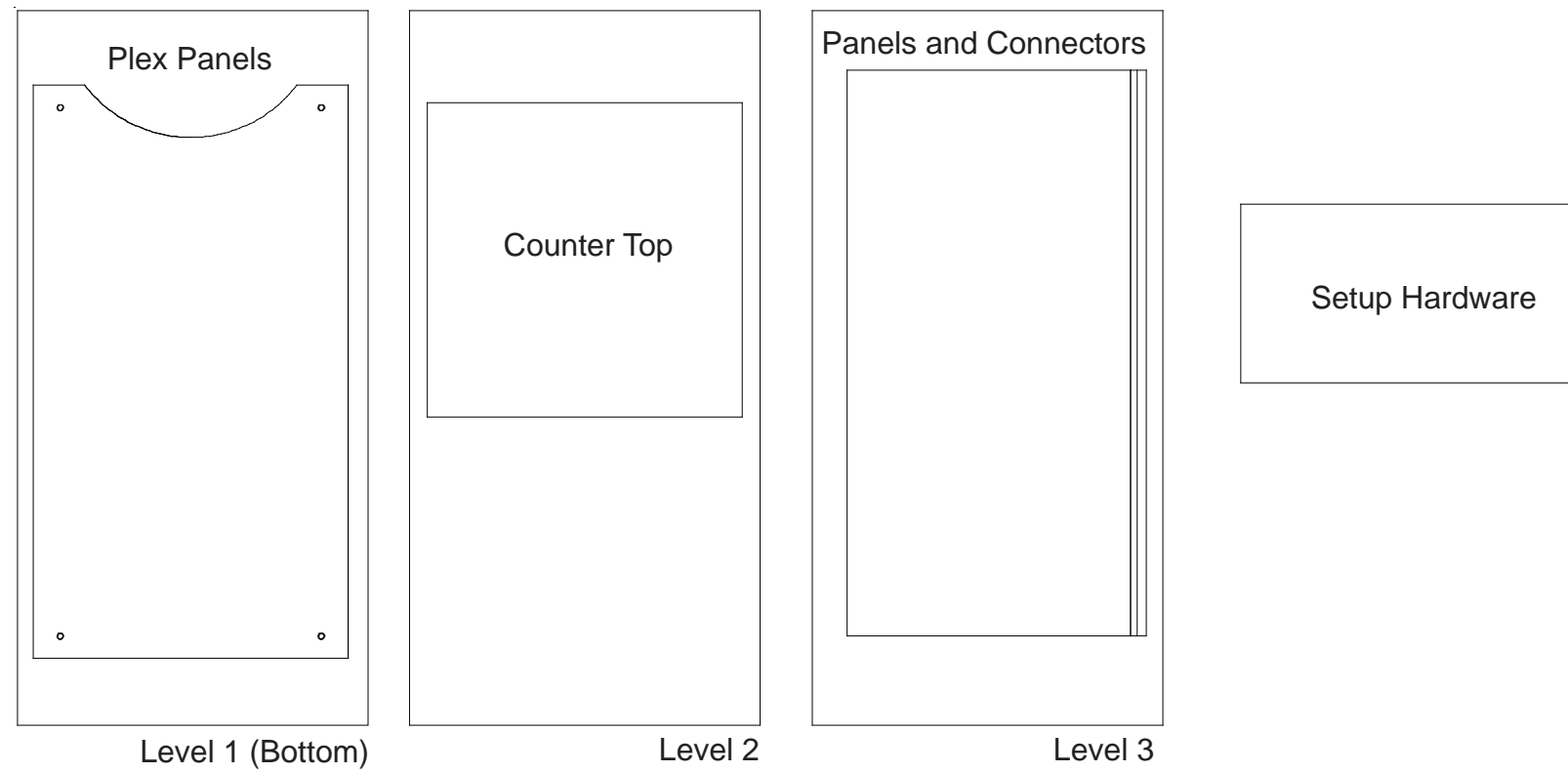
WHEN DISASSEMBLING ALUMINUM EXTRUSION, TIGHTEN ALL SETSCREWS AND LOCKS TO PREVENT LOSS DURING SHIPPING

Top View of each Level



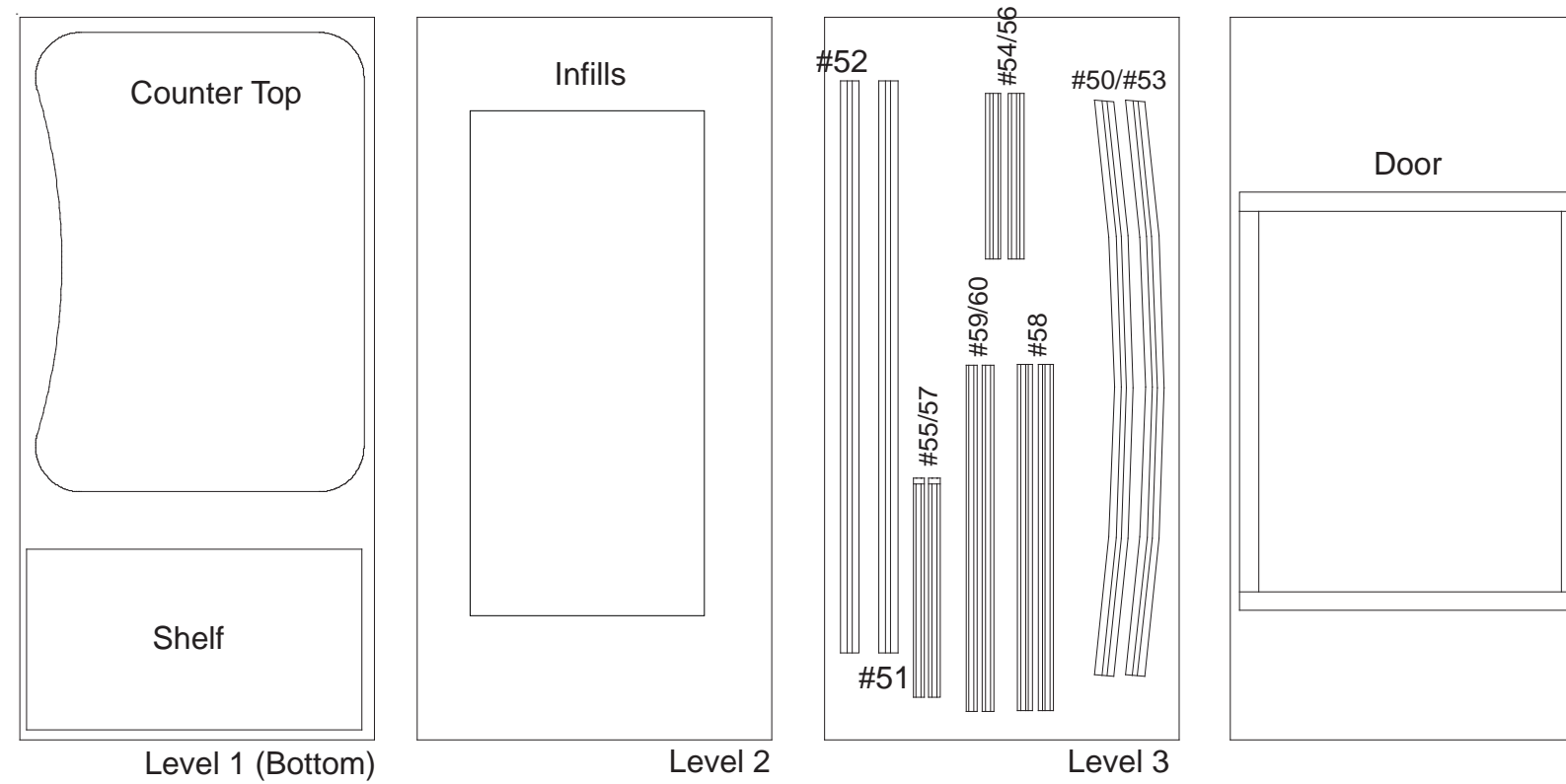
WHEN DISASSEMBLING ALUMINUM EXTRUSION, TIGHTEN ALL SETSCREWS AND LOCKS TO PREVENT LOSS DURING SHIPPING

Top View of each Level



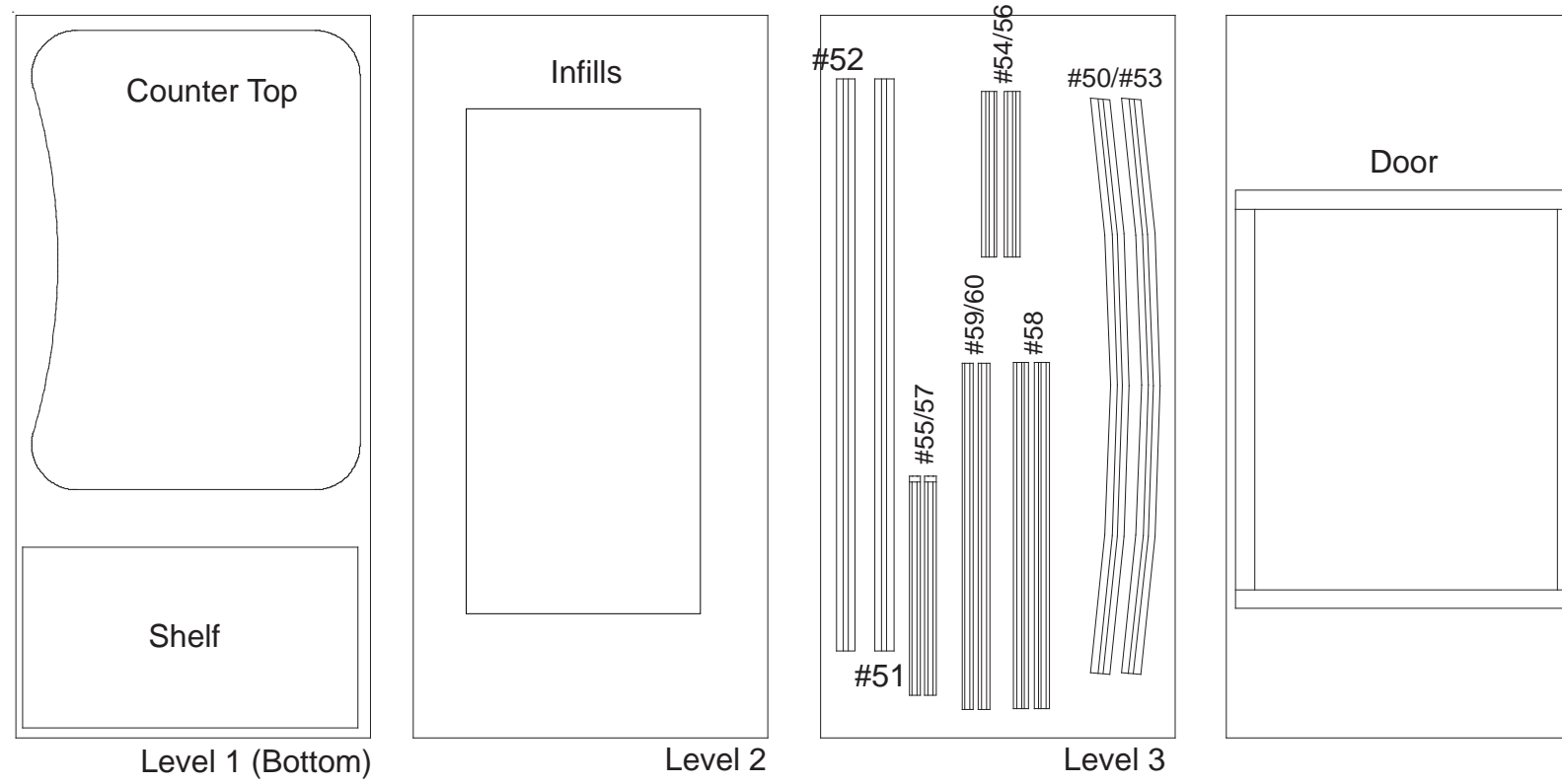
WHEN DISASSEMBLING ALUMINUM EXTRUSION, TIGHTEN ALL SETSCREWS AND LOCKS TO PREVENT LOSS DURING SHIPPING

Top View of each Level



WHEN DISASSEMBLING ALUMINUM EXTRUSION, TIGHTEN ALL SETSCREWS AND LOCKS TO PREVENT LOSS DURING SHIPPING

Top View of each Level



WHEN DISASSEMBLING ALUMINUM EXTRUSION, TIGHTEN ALL SETSCREWS AND LOCKS TO PREVENT LOSS DURING SHIPPING