

WHEN DISASSEMBLING ALUMINUM EXTRUSION, TIGHTEN ALL SETSCREWS AND LOCKS TO PREVENT LOSS DURING SHIPPING



Using Your Setup Instructions

The Euro LT Hybrids Setup Instructions are created specifically for your configuration. They are laid out sequentially in levels, including exploded views, and a logical series of detailed steps to assemble the main structure and components. We encourage you to study the instructions **before** attempting to assemble your exhibit.

Each page reminds you to tighten the setscrews after disassembling your exhibit to prevent loss of the locks and setscrews (see below in RED). This is VERY IMPORTANT.

Cleaning and Packing Your Display

- 1) Use care when cleaning aluminum extrusion or acrylic inserts. Use only non-abrasive cleaners.
- 2) When cleaning laminate inserts, countertops, or panels use mild cleansers and a soft material such as cotton.
- 3) Keep all display components away from extreme heat and long exposure to sunlight to avoid warping and fading.
- 4) Retain all packing material. It will make re-packing much easier and will reduce the likelihood of shipping damage.

General Setup Instructions for Extrusion System



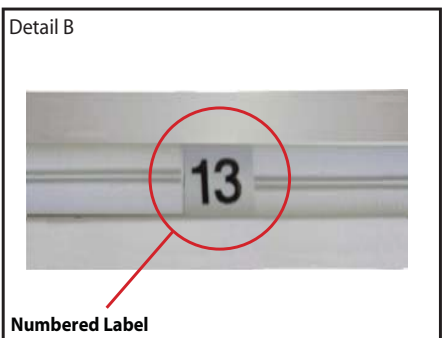
The Tool
Most exhibits can be assembled with the supplied Hex Key Tool. Occasionally, a flat head screwdriver may be required.



Typical Connection
Most horizontal extrusion connections have a patented expandable lock. This lock inserts into the groove of an opposing extrusion. Tightening the lock with the Hex Key Tool expands the lock and creates a strong positive connection.



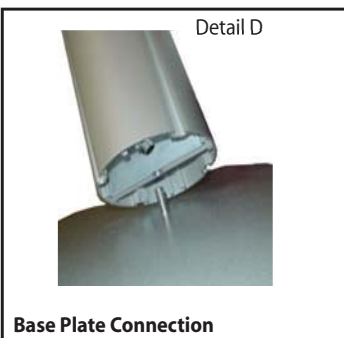
Typical Connection (cont'd)



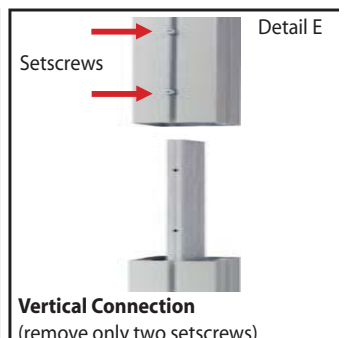
Numbered Label
Each extrusion contains a numbered label which corresponds with setup instructions. The label is located within a groove of the extrusion (when possible). With extrusion components the labels contain Black numbers unless otherwise specified.



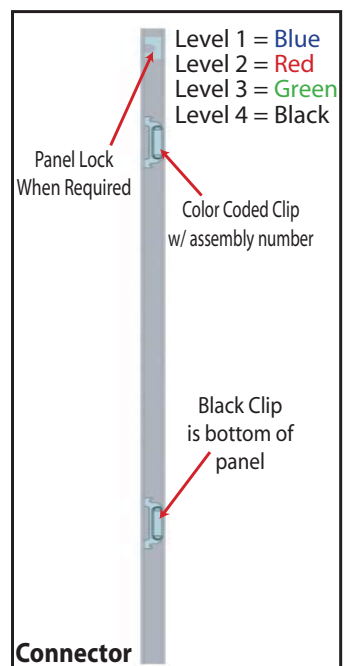
Horizontal Inline Connection (remove only one setscrew)
Remove only (1) setscrew when disassembling. Replace setscrew in extrusion after assembling it. Before packing, replace setscrew in extrusion to avoid losing it.



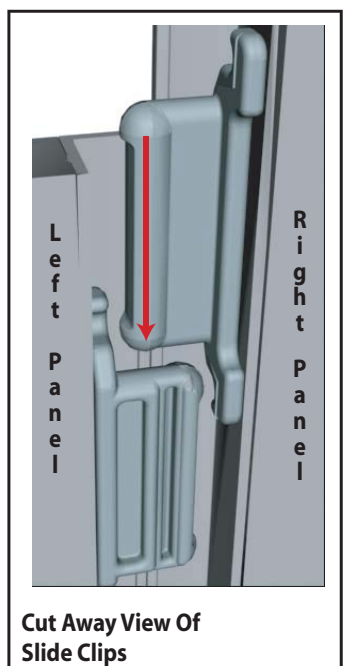
Base Plate Connection
Attach base plate to round or square vertical extrusion using the bolt provided. Be careful not to strip the threads.



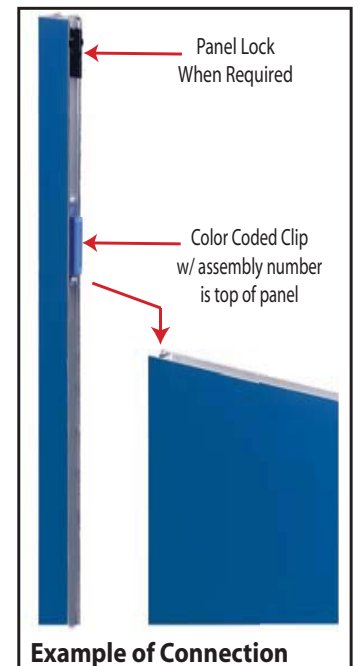
Vertical Connection (remove only two setscrews)
When vertical extrusions are packed in portable cases rather than crates or tubs, they must be broken down into smaller sections which then require assembly.
Remove only (2) setscrews when disassembling. Replace setscrew in extrusion after assembling it. Before packing, replace setscrew in extrusion to avoid losing the



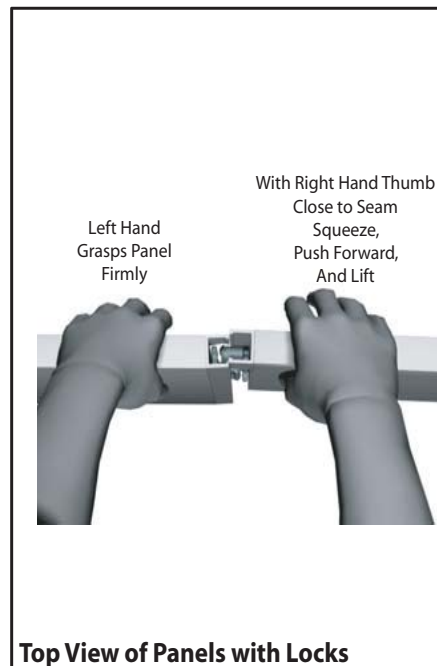
Connector
Each component has 2 clips, the lower clip is ALWAYS black. The top clip is color coded to distinguish which level. The color coded clip also contains the numbered label.



Cut Away View Of Slide Clips
Components connect together by aligning them and sliding downward connecting clips together.



Example of Connection
Configurations are assembled from left to right, usually starting with #1 and following the numbered sequence.



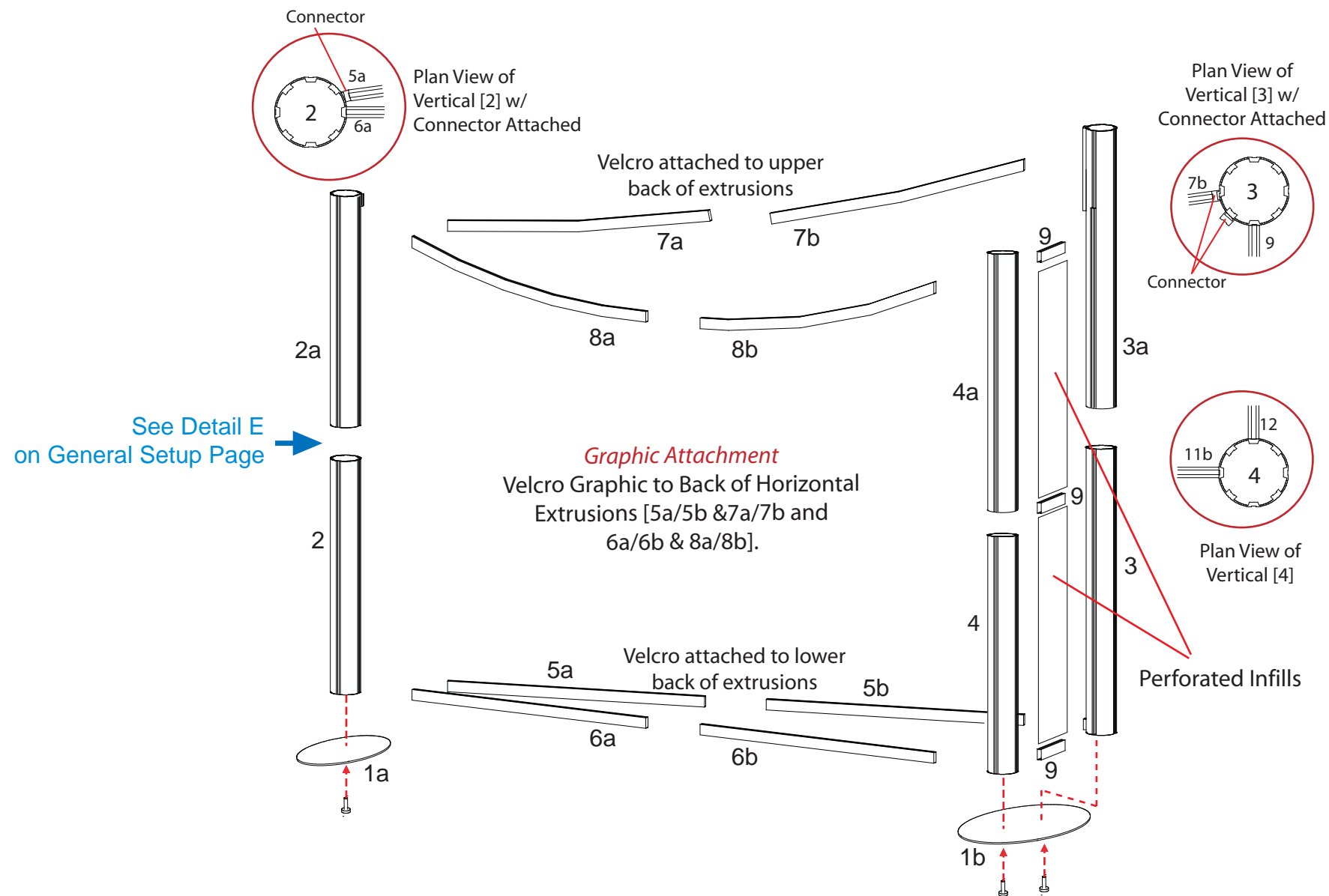
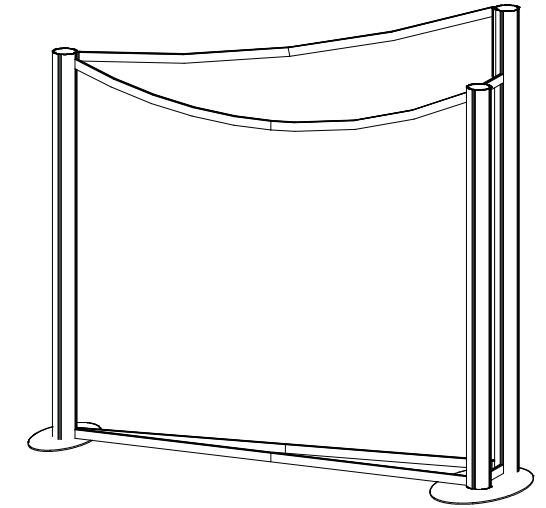
Top View of Panels with Locks
The first level of components contain panel locks that are located at the top of the panel for extra stability and seamless connection. When disassembling panels twist top connection slightly and lift right panel upward.

WHEN DISASSEMBLING ALUMINUM EXTRUSION, TIGHTEN ALL SETSCREWS AND LOCKS TO PREVENT LOSS DURING SHIPPING

Item	Qty.	Description
1a/1b	1/1/1	Base Plate
2/2a	1/1	40" h Vertical Extrusion
3/3a	1/1	48" h Vertical Extrusion
4/4a	1/1	41.36" h Vertical Extrusion
5a/5b	1/1	43.087" w Horizontal Extrusion
6a/6b	1/1	43.01" w Horizontal Extrusion
7a/7b	1/1	44.4215" w Horizontal Extrusion
8a/8b	1/1	45.1683" w Horizontal Extrusion
9	3	8.551" w Horizontal Extrusion

Steps:

- 1) Attach vertical extrusions [2, 3 and 4] to base plates [1a and 1b], see detail D on general info. page.
- 2) Assemble vertical extrusions together.
- 3) Connect horizontal extrusions [5a to 5b, 6a to 6b, 7a to 7b and 8a to 8b].
- 4) Attach horizontal assemblies between vertical extrusions.
- 5) Apply graphics to assembled backwall as shown.



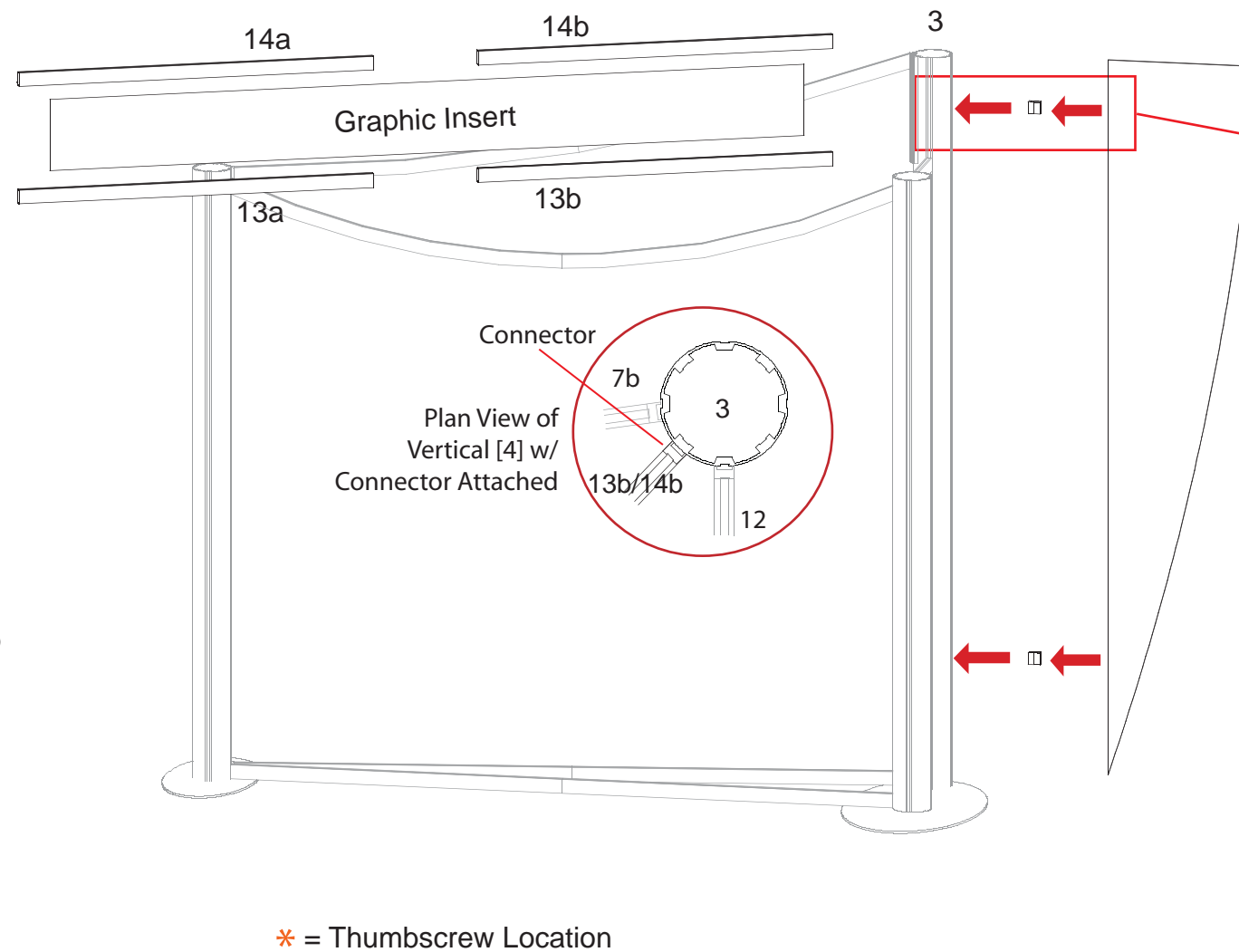
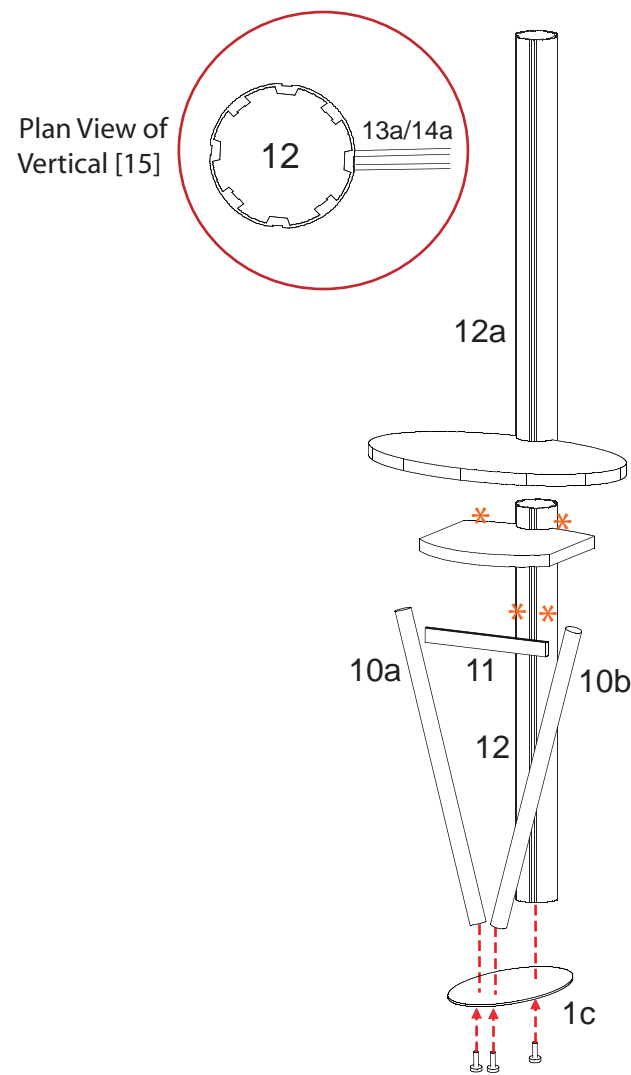
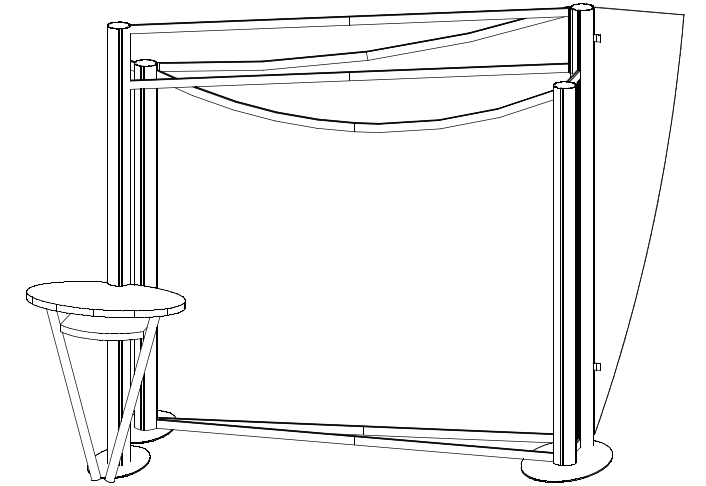
WHEN DISASSEMBLING ALUMINUM EXTRUSION, TIGHTEN ALL SETSCREWS AND LOCKS TO PREVENT LOSS DURING SHIPPING

866.652.2100

Item	Qty.	Description
1c	1	Base Plate
10a	1	Support Leg Left
10b	1	Support Leg Right
11	1	Shelf Support
12/12a	1	48" h Vertical Extrusion
13a/13b	1/1	46.25" w Horizontal Extrusion
14a/14b	1/1	46.25" w Horizontal Extrusion

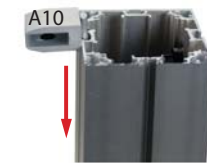
Steps:

- 1) Attach vertical extrusion [12] and support legs [10a and 10b] to base plate [1c].
- 2) Attach shelf support [11] between support legs [10a and 10b], then set shelf atop support with notched side fitting to vertical extrusion and secure with thumbscrews to vertical extrusion [12].
- 3) Connect horizontal extrusions together [13a to 13b and 14a to 14b].
- 4) Attach horizontal assemblies between vertical extrusions [3 and 12], placing insert as shown.
- 5) Attach wings to vertical extrusion [3], see wing attachment detail.



Wing Attachment

Slide A10 Clamp into groove of square extrusion.



When desired location is found, tighten set screw to secure.



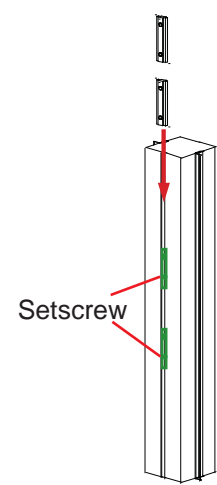
Tighten black plastic set screw to secure Wing in place.



WHEN DISASSEMBLING ALUMINUM EXTRUSION, TIGHTEN ALL SETSCREWS AND LOCKS TO PREVENT LOSS DURING SHIPPING

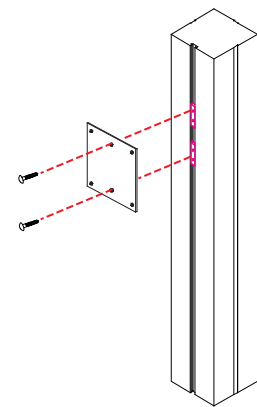
* = Thumbscrew Location

Monitor Mount Attachment



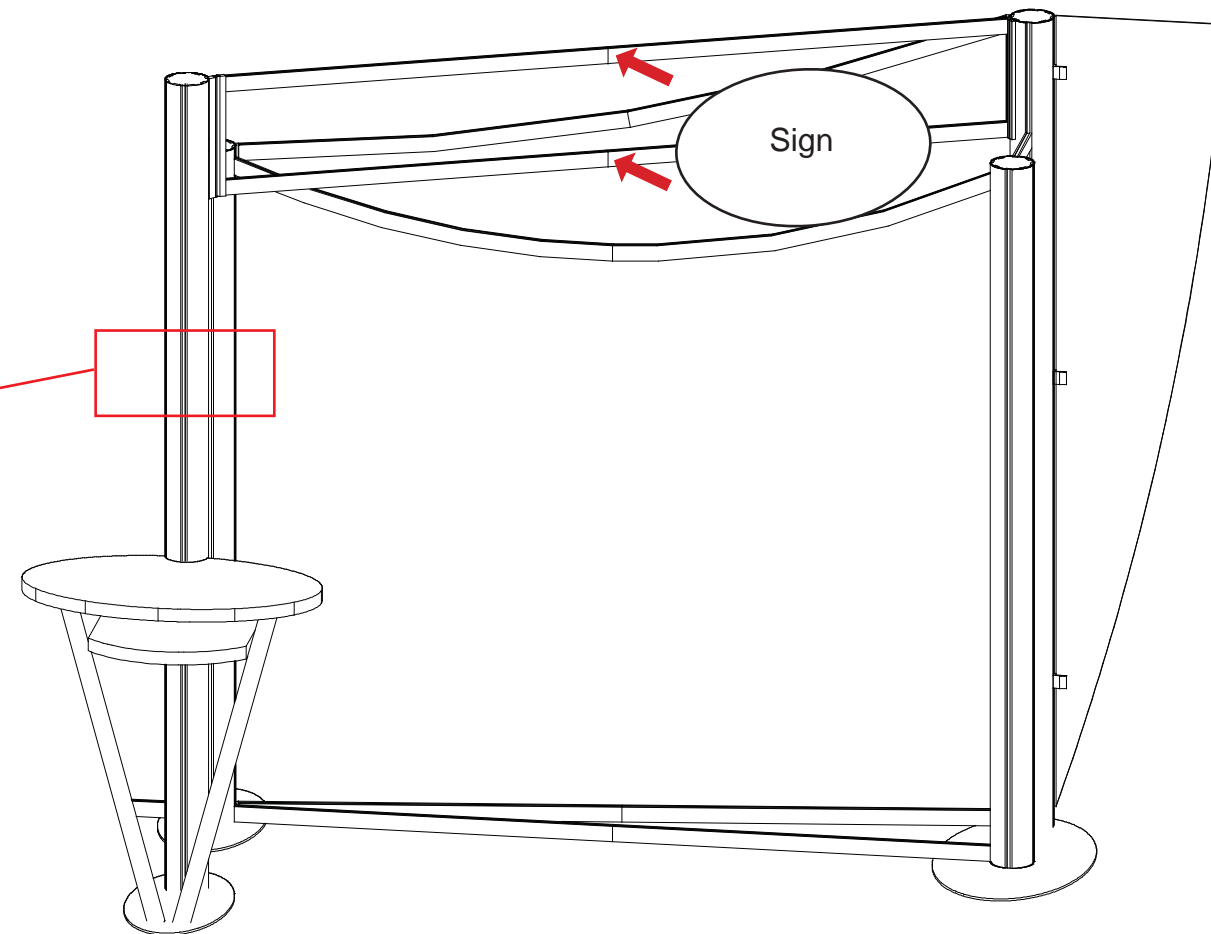
Slide mounting connector pieces into groove of extrusion. Tighten setscrew to secure in place.

Connectors should stay attached to vertical



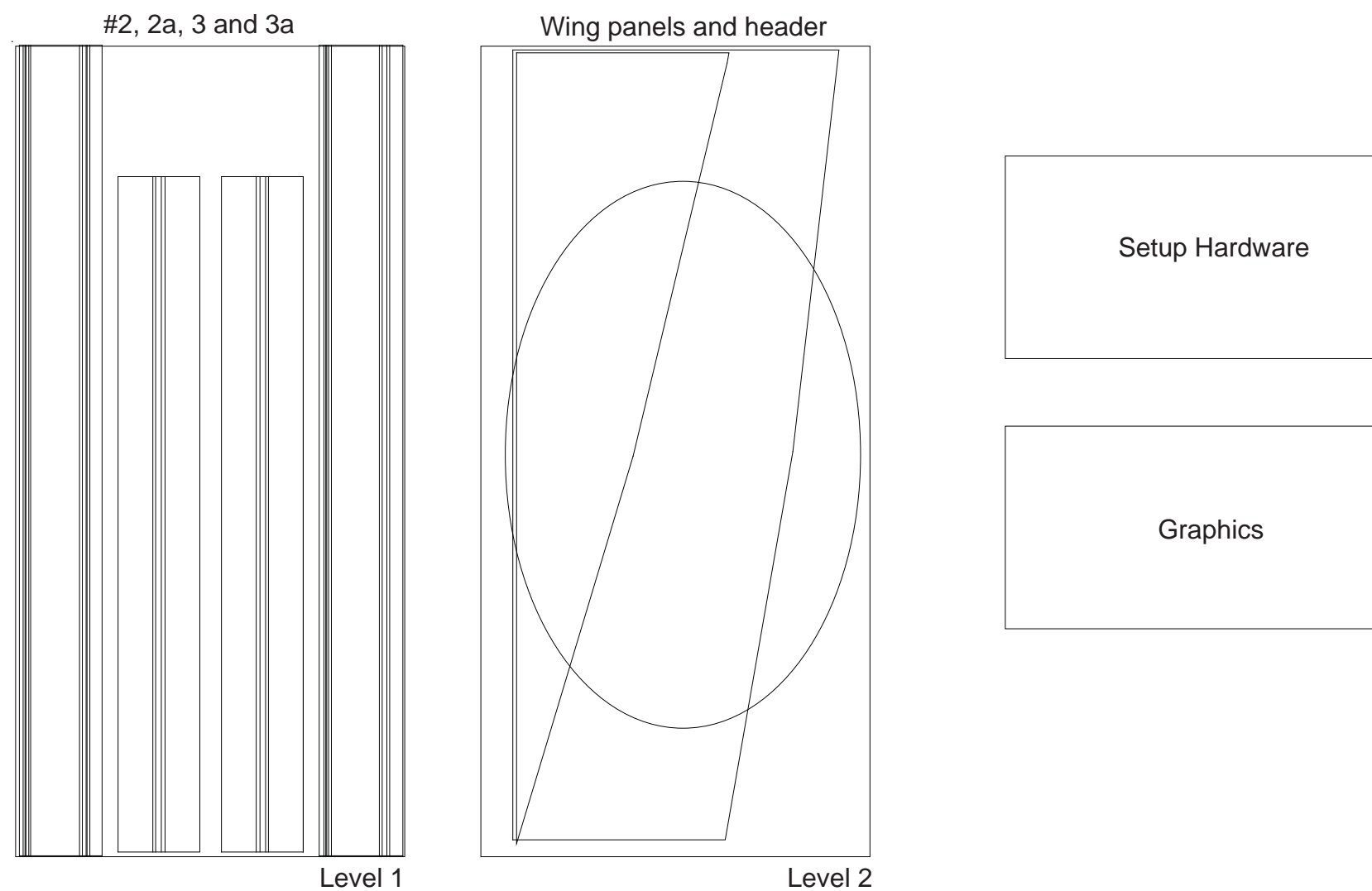
Attach back plate to connectors on vertical extrusion using screws. Then attach top plate and tighten setscrews to secure.

Velcro header sign to horizontal extrusions where indicated.



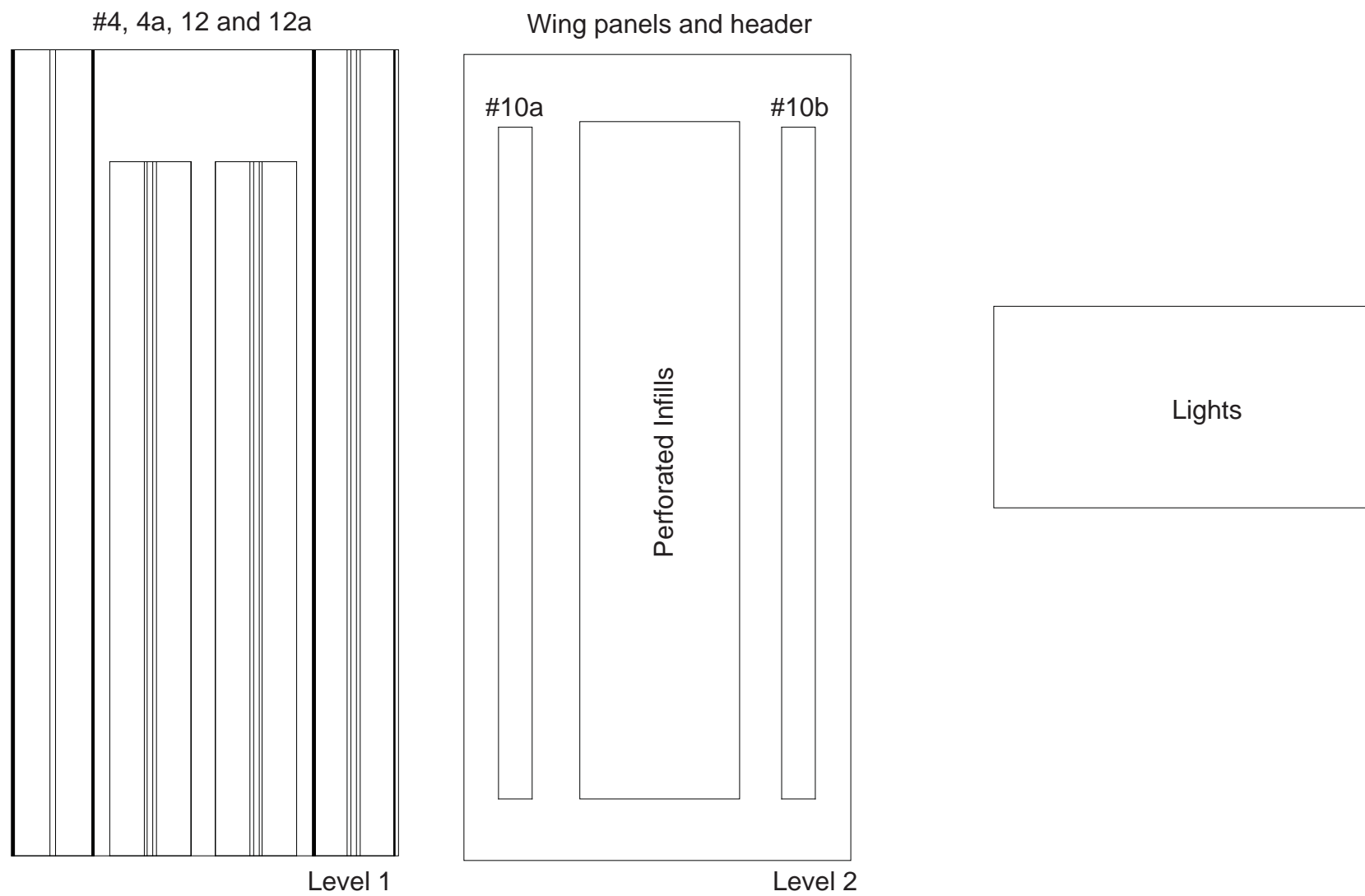
WHEN DISASSEMBLING ALUMINUM EXTRUSION, TIGHTEN ALL SETSCREWS AND LOCKS TO PREVENT LOSS DURING SHIPPING

Top View of each Level



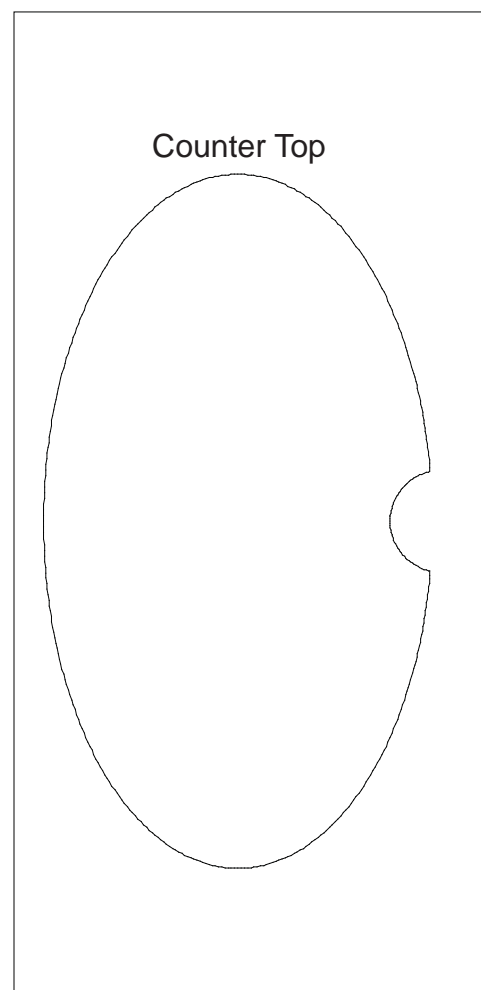
WHEN DISASSEMBLING ALUMINUM EXTRUSION, TIGHTEN ALL SETSCREWS AND LOCKS TO PREVENT LOSS DURING SHIPPING

Top View of each Level

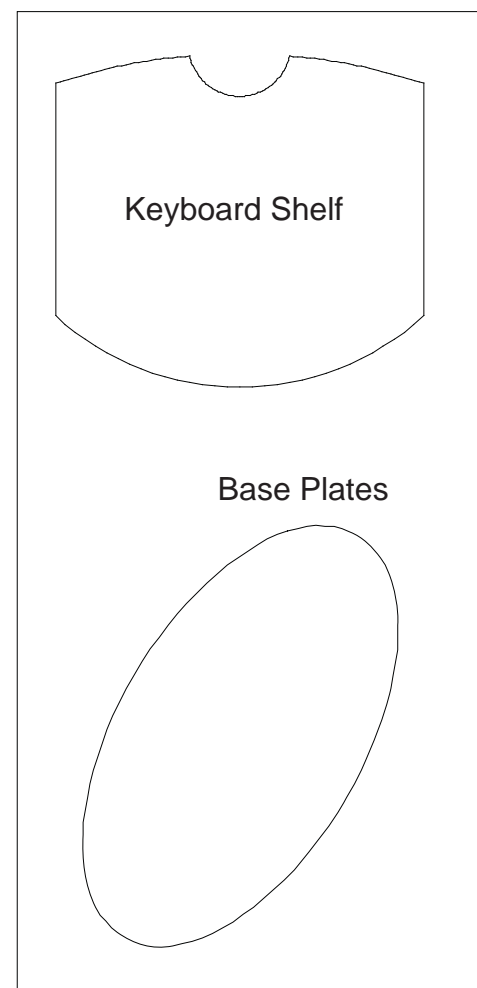


WHEN DISASSEMBLING ALUMINUM EXTRUSION, TIGHTEN ALL SETSCREWS AND LOCKS TO PREVENT LOSS DURING SHIPPING

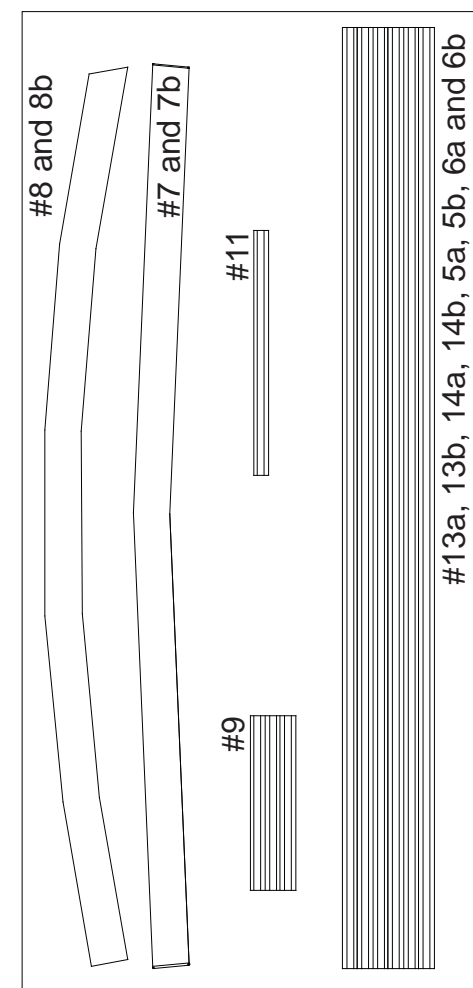
Top View of each Level



Level 1



Level 2



Level 3

WHEN DISASSEMBLING ALUMINUM EXTRUSION, TIGHTEN ALL SETSCREWS AND LOCKS TO PREVENT LOSS DURING SHIPPING